



US00D352625S

United States Patent [19]

[11] Patent Number: **Des. 352,625**

Henning et al.

[45] Date of Patent: **** Nov. 22, 1994**

[54] **FLUID DISPENSER**

[76] Inventors: **Edward C. Henning**, 1914 Morgan Dr., West Bend, Wis. 53095; **Charles E. Henning**, 417 N. Dries St. Apt. #3, Saukville, Wis. 53080

D. 217,265	4/1970	Roth	D6/545
D. 297,086	8/1988	Paphis	D6/544
1,030,306	6/1912	Hull	222/181 X
4,449,649	5/1984	Flannigan	222/181

Primary Examiner—Brian N. Vinson
Attorney, Agent, or Firm—Hugh E. Smith

[**] Term: **14 Years**

[57] **CLAIM**

[21] Appl. No.: **9,082**

The ornamental design for a fluid dispenser, as shown and described.

[22] Filed: **Jun. 4, 1993**

[52] U.S. Cl. **D6/545**

DESCRIPTION

[58] Field of Search D6/542-545;
222/94, 105, 129, 135, 156, 173, 180-181,
630-631; 221/282-286

FIG. 1 is a front elevational view of the fluid dispenser showing my new design;
FIG. 2 is a rear elevational view thereof;
FIG. 3 is a left side elevational view thereof;
FIG. 4 is a right side elevational view thereof;
FIG. 5 is a top plan view thereof;
FIG. 6 is a bottom plan view thereof; and,
FIG. 7 is an isometric view thereof.

[56] References Cited

U.S. PATENT DOCUMENTS

D. 93,810	11/1934	Bernhardt	D6/545
D. 163,070	4/1951	Sawchuk	D6/545

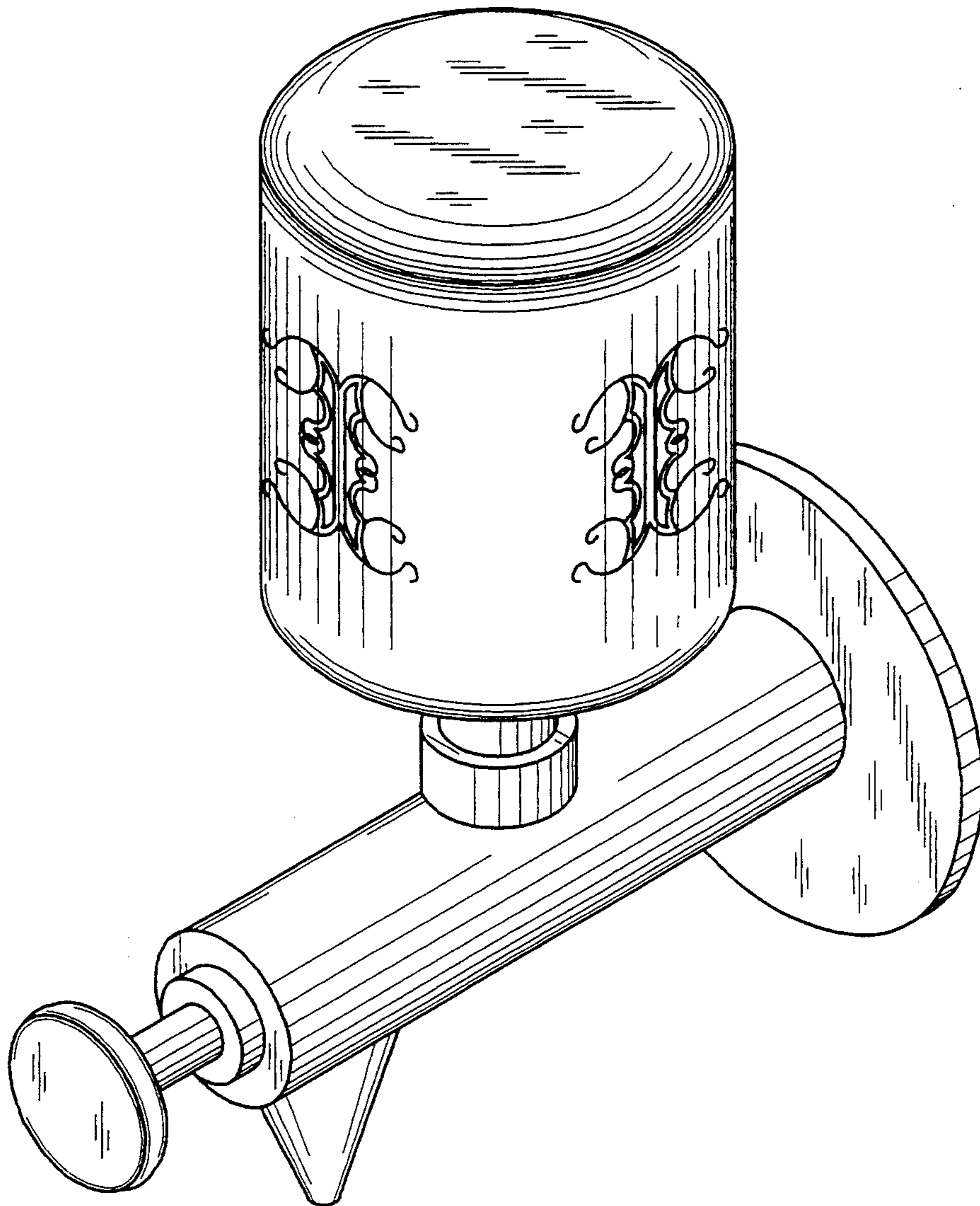


FIG. 1

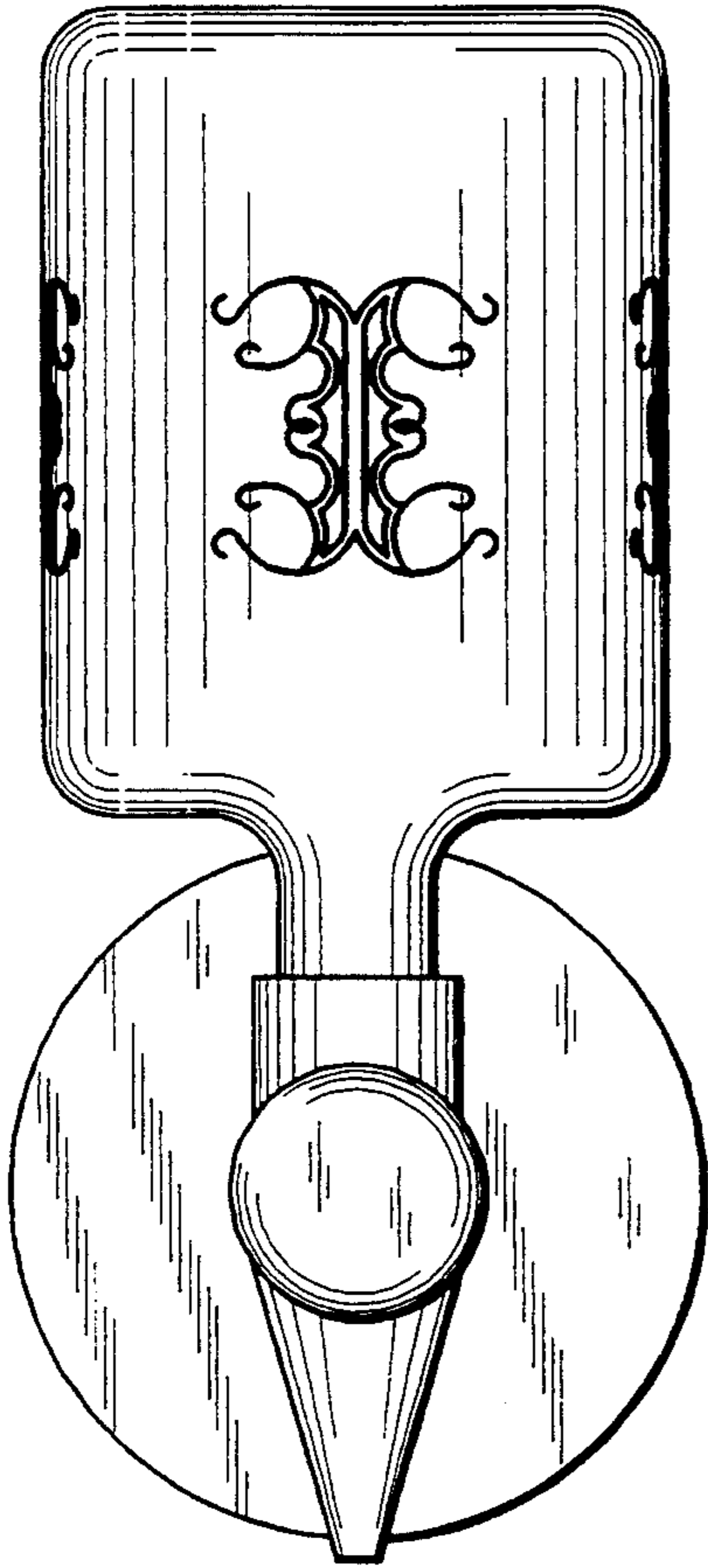


FIG. 2

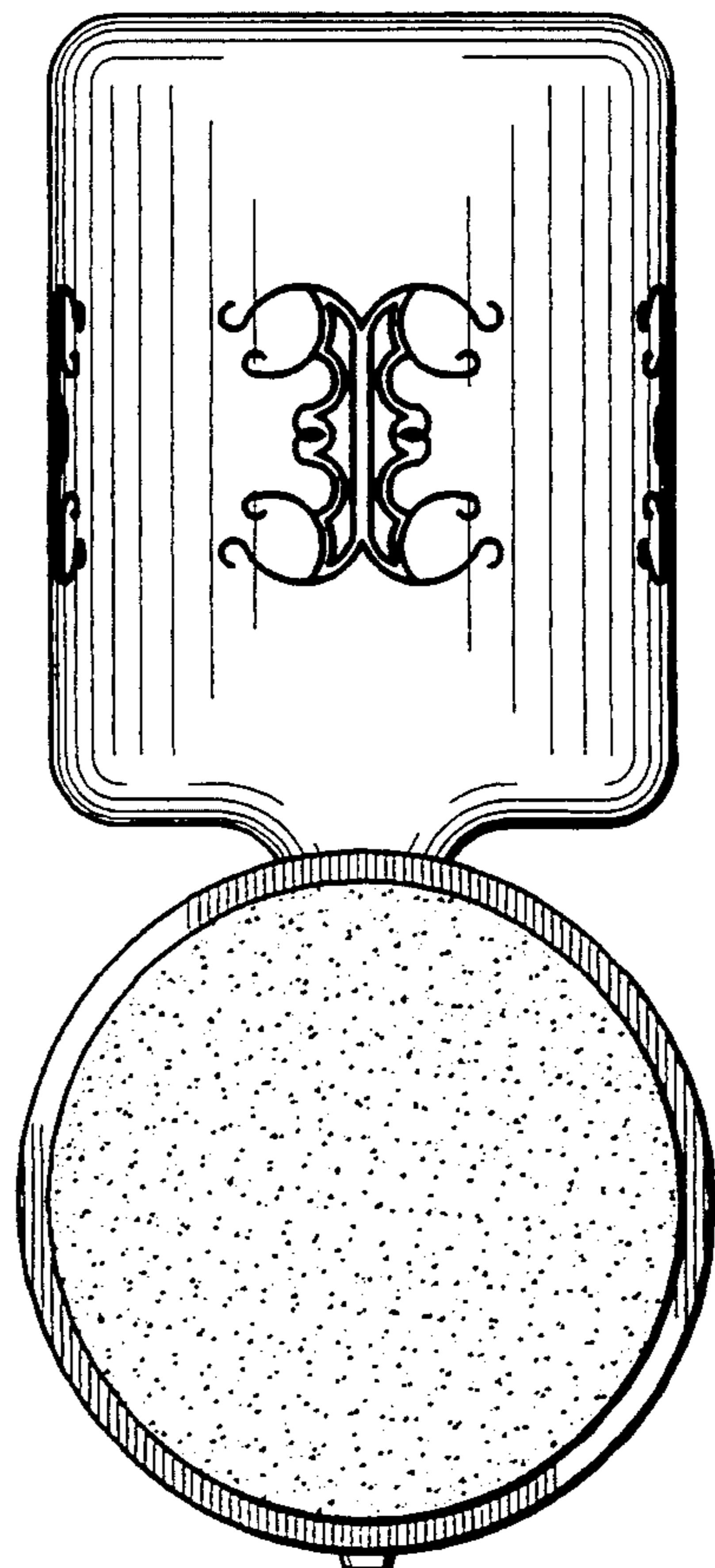


FIG. 3

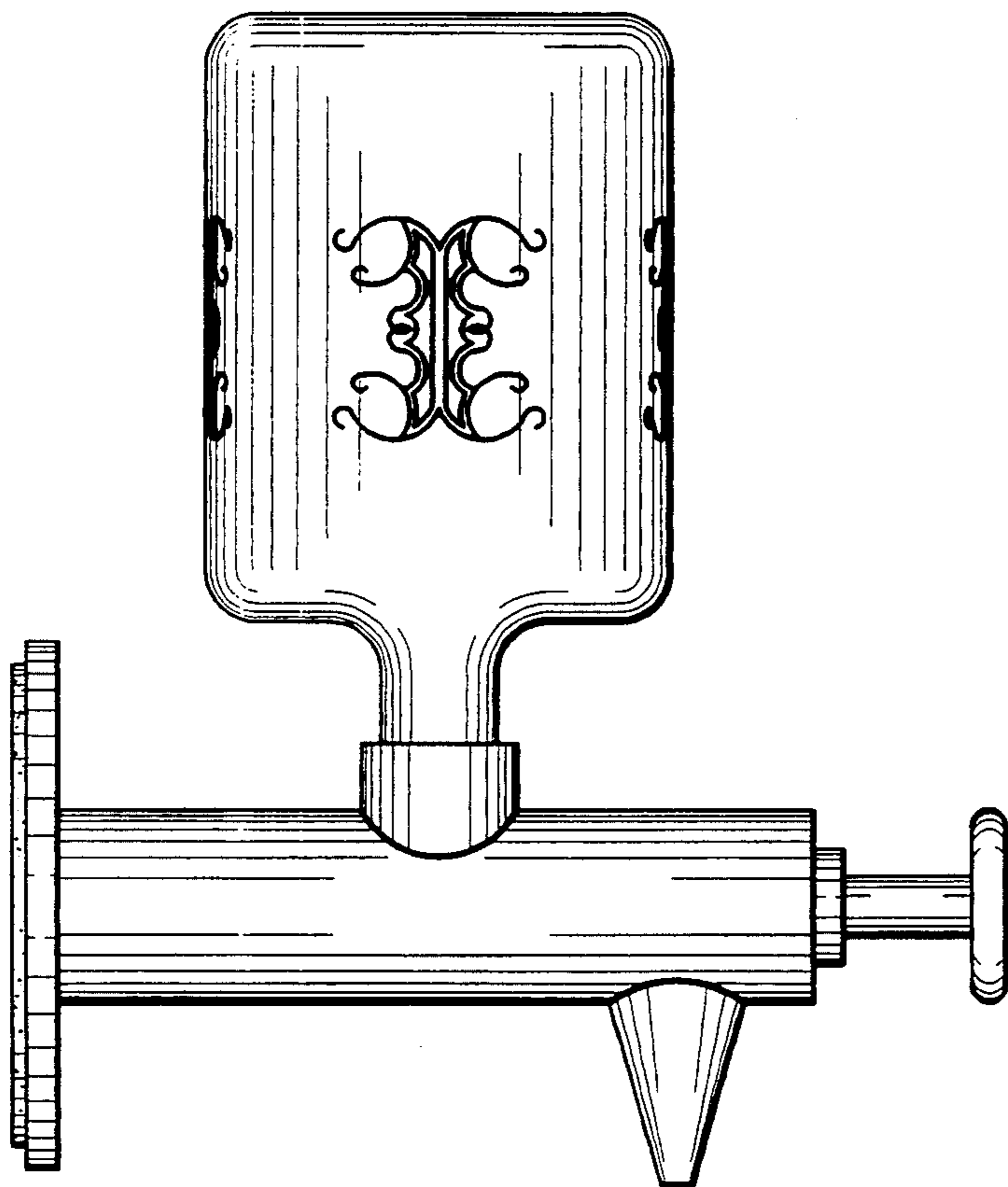


FIG. 4

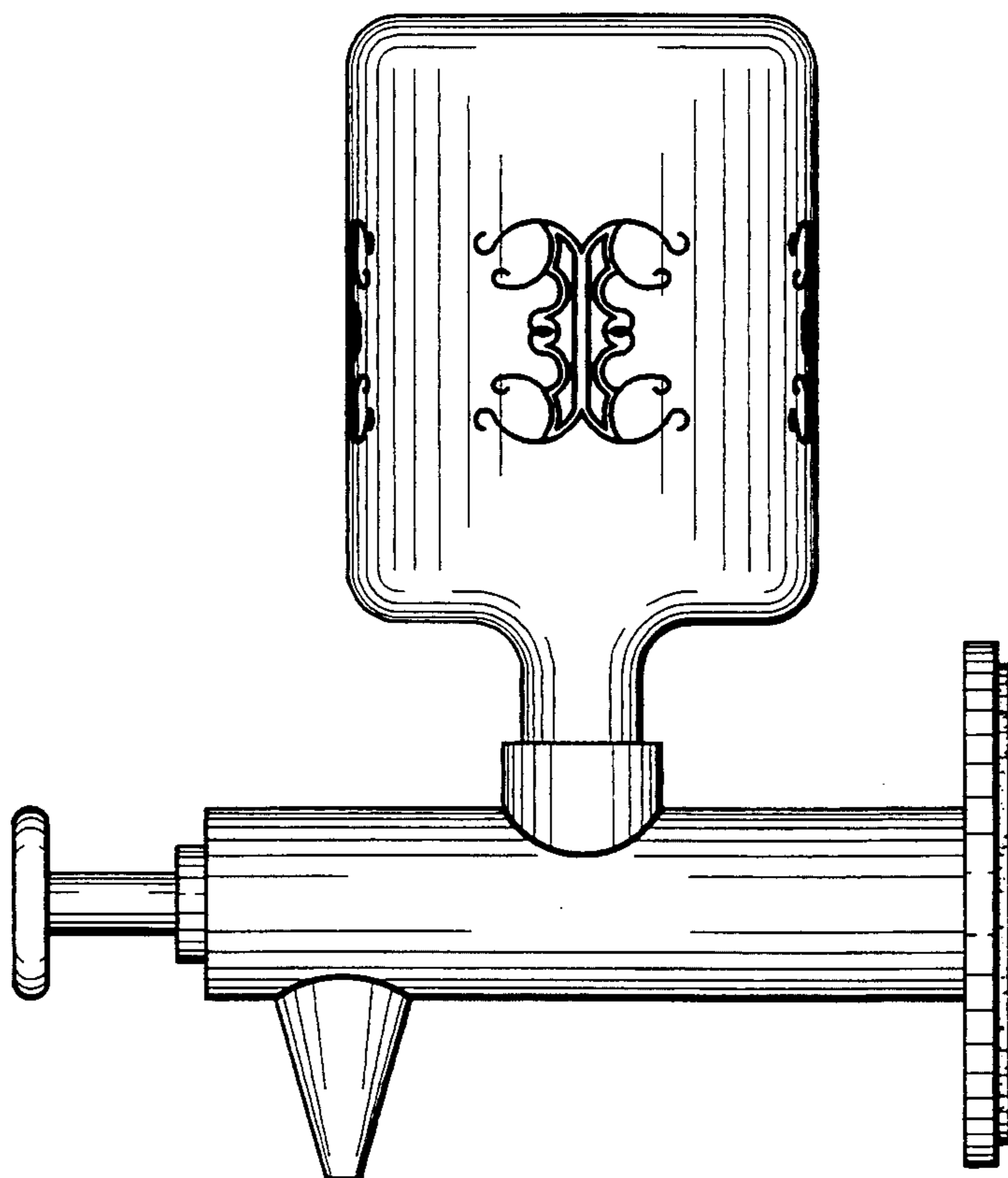


FIG. 5

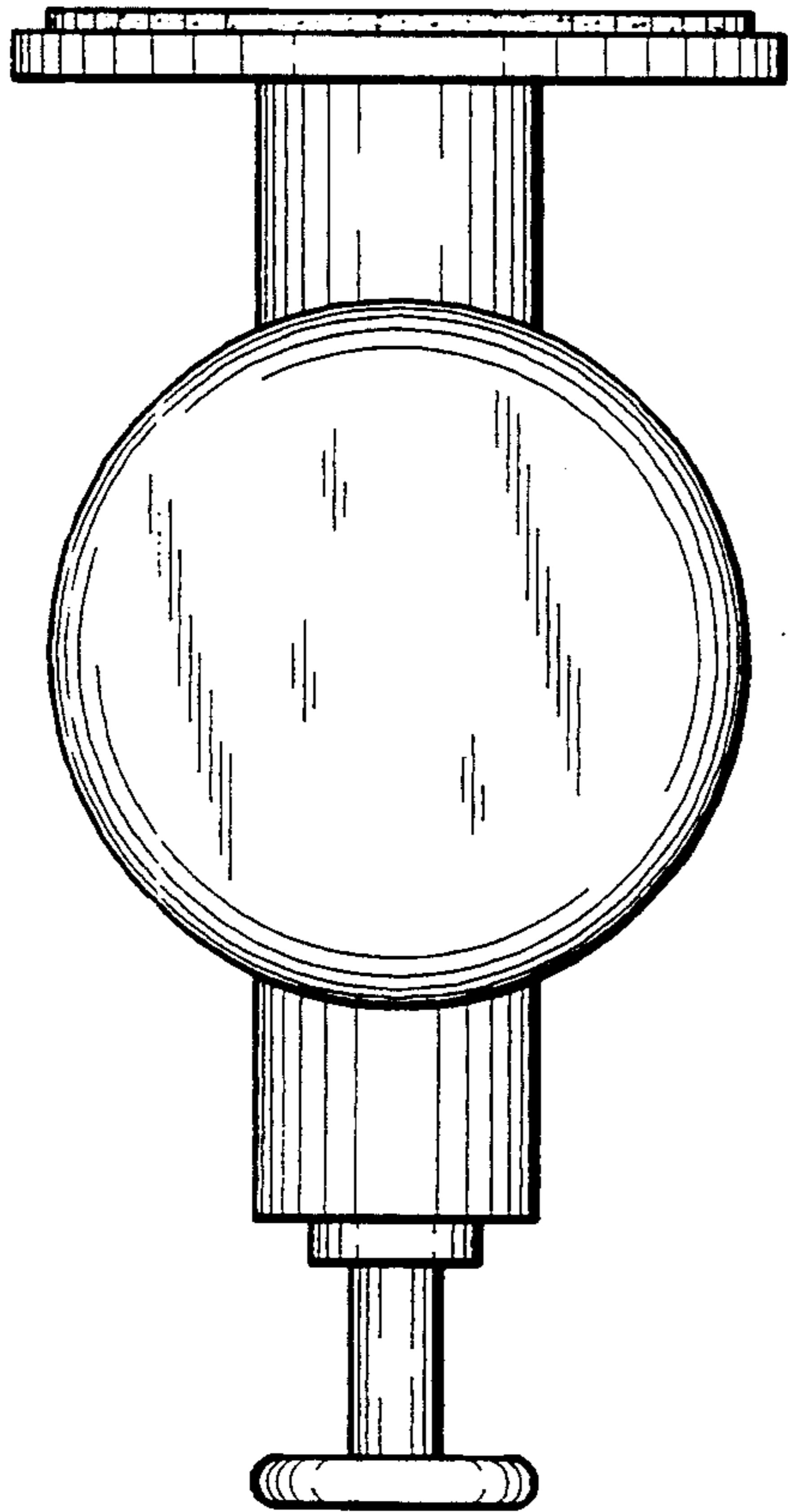


FIG. 6

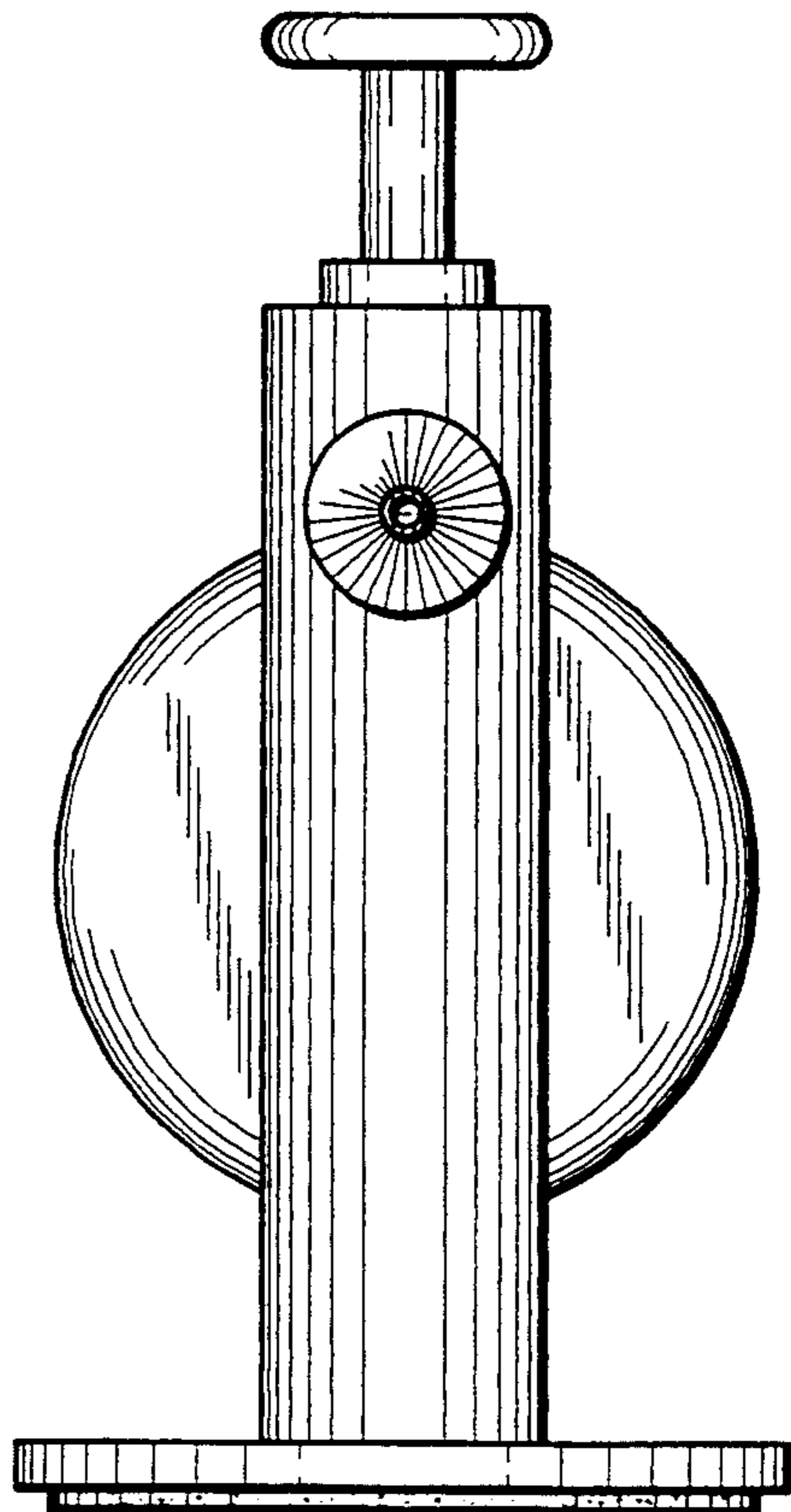


FIG. 7

