



US00D352616S

United States Patent [19]

[11] Patent Number: **Des. 352,616**

Meyer

[45] Date of Patent: **** Nov. 22, 1994**

[54] **CHAIR**

[75] Inventor: **Just B. Meyer**, Rhenen, Netherlands

[73] Assignee: **Indecom N.V.**, Netherlands

[**] Term: **14 Years**

[21] Appl. No.: **11,338**

[22] Filed: **Aug. 2, 1993**

[30] **Foreign Application Priority Data**

Feb. 2, 1993 [XH] Hague Agreement DM/025110

[52] U.S. Cl. **D6/380; D6/379**

[58] Field of Search **D6/334, 374, 379, 380, D6/500, 501, 502; 297/446**

[56] **References Cited**

U.S. PATENT DOCUMENTS

D. 101,404	9/1936	Salomon	D6/380
D. 184,238	1/1959	Nelson et al.	D6/380
D. 195,256	5/1963	Andersen et al.	D6/374
D. 205,658	9/1966	Muller	D6/374
D. 261,580	11/1981	Aulenti	D6/334
D. 318,186	7/1991	Votteler	D6/374

OTHER PUBLICATIONS

Schöner Wohnen, Feb. 1985, p. 69, Stool at mid-page left.

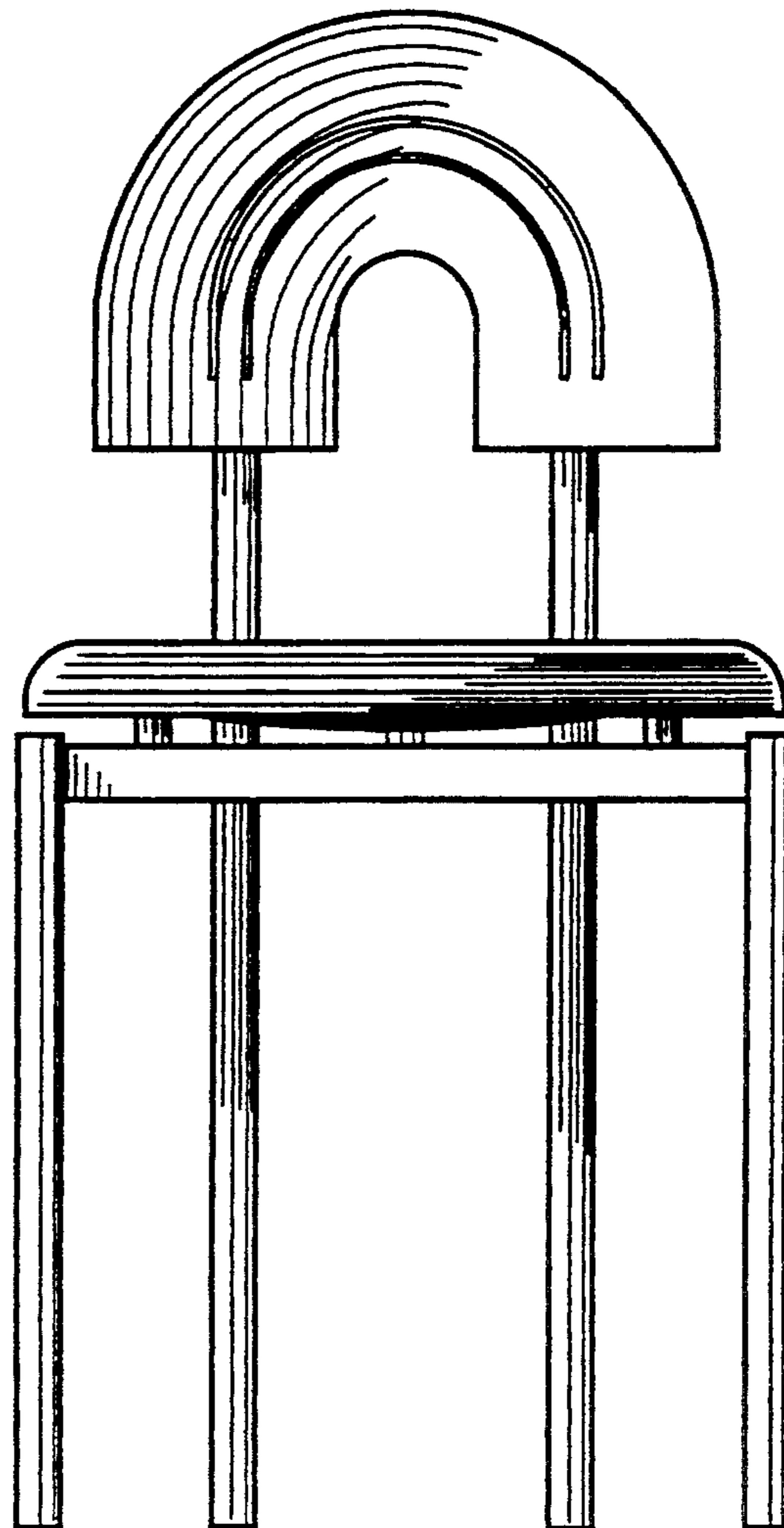
Primary Examiner—Alan P. Douglas
Assistant Examiner—Gary D. Watson
Attorney, Agent, or Firm—Gunn, Lee & Miller

[57] **CLAIM**

The ornamental design for a chair, as shown and described.

DESCRIPTION

FIG. 1 is a front view of my new chair in an embodiment without armrests;
FIG. 2 is a view from one side;
FIG. 3 is a view from the opposite;
FIG. 4 is a view from the rear;
FIG. 5 is a top view;
FIG. 6 is a bottom view, all of the same embodiment; and,
FIGS. 7-12 are views corresponding to those of FIGS. 1-6 of an embodiment with armrests.



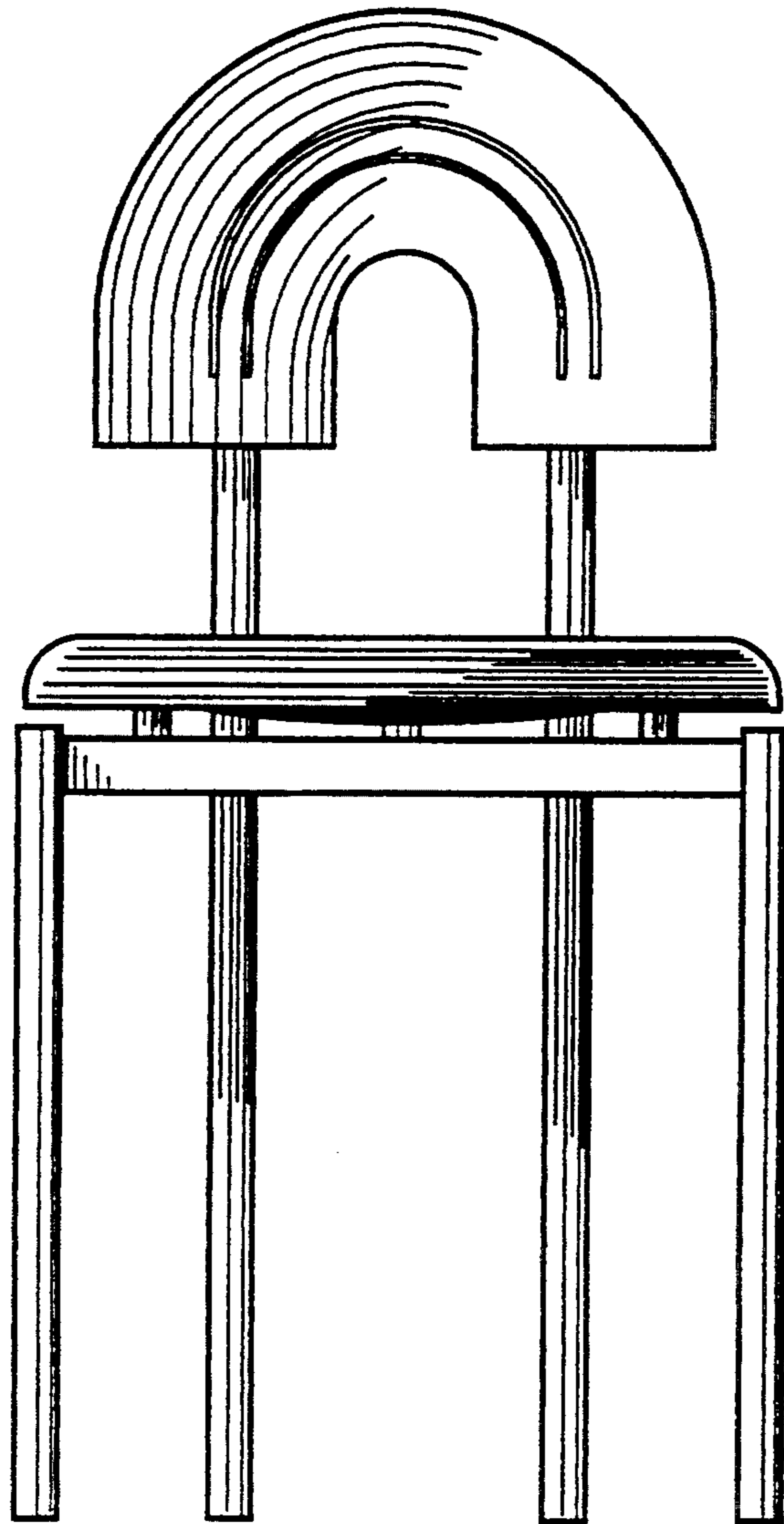


Fig. 1

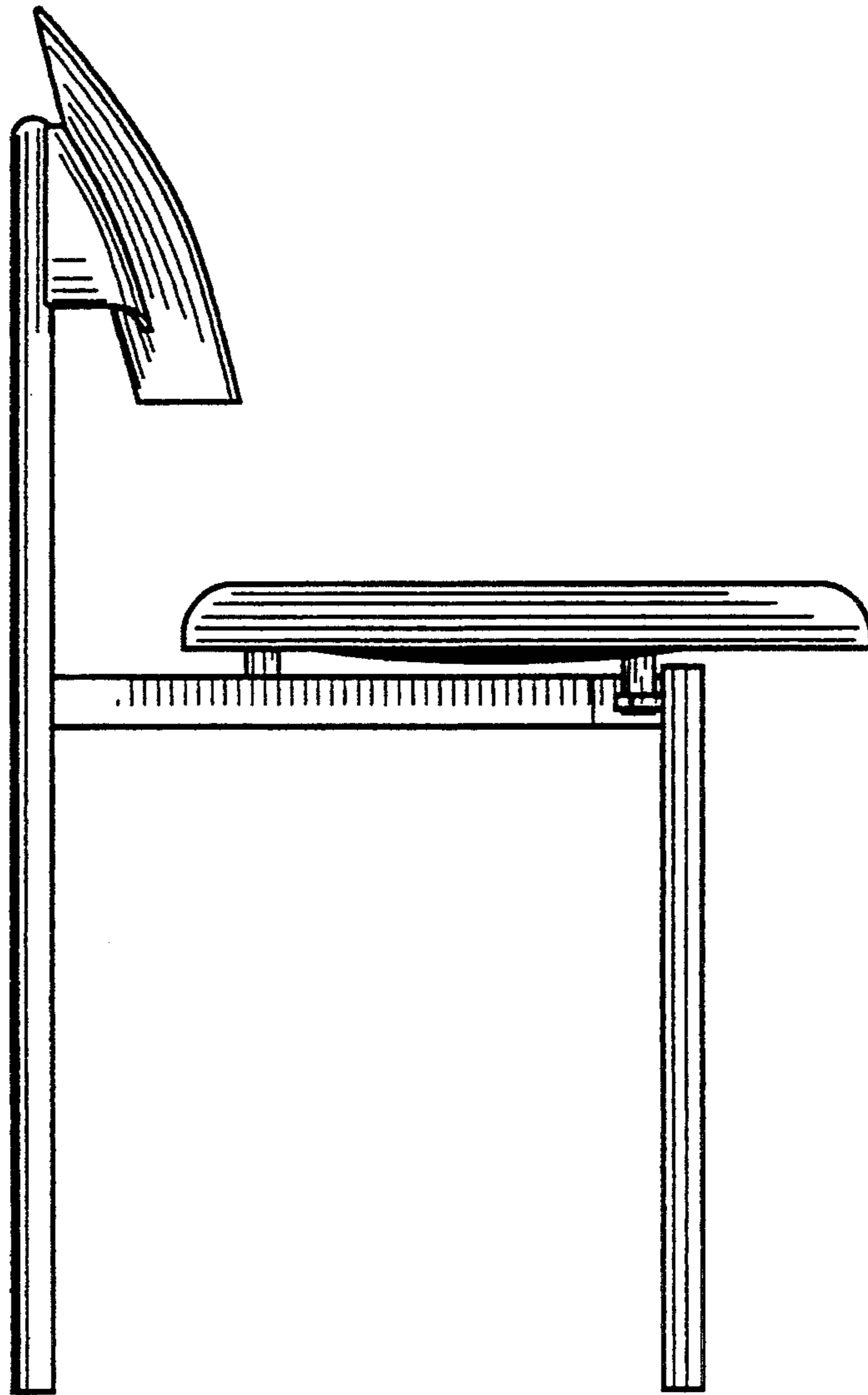


Fig. 2

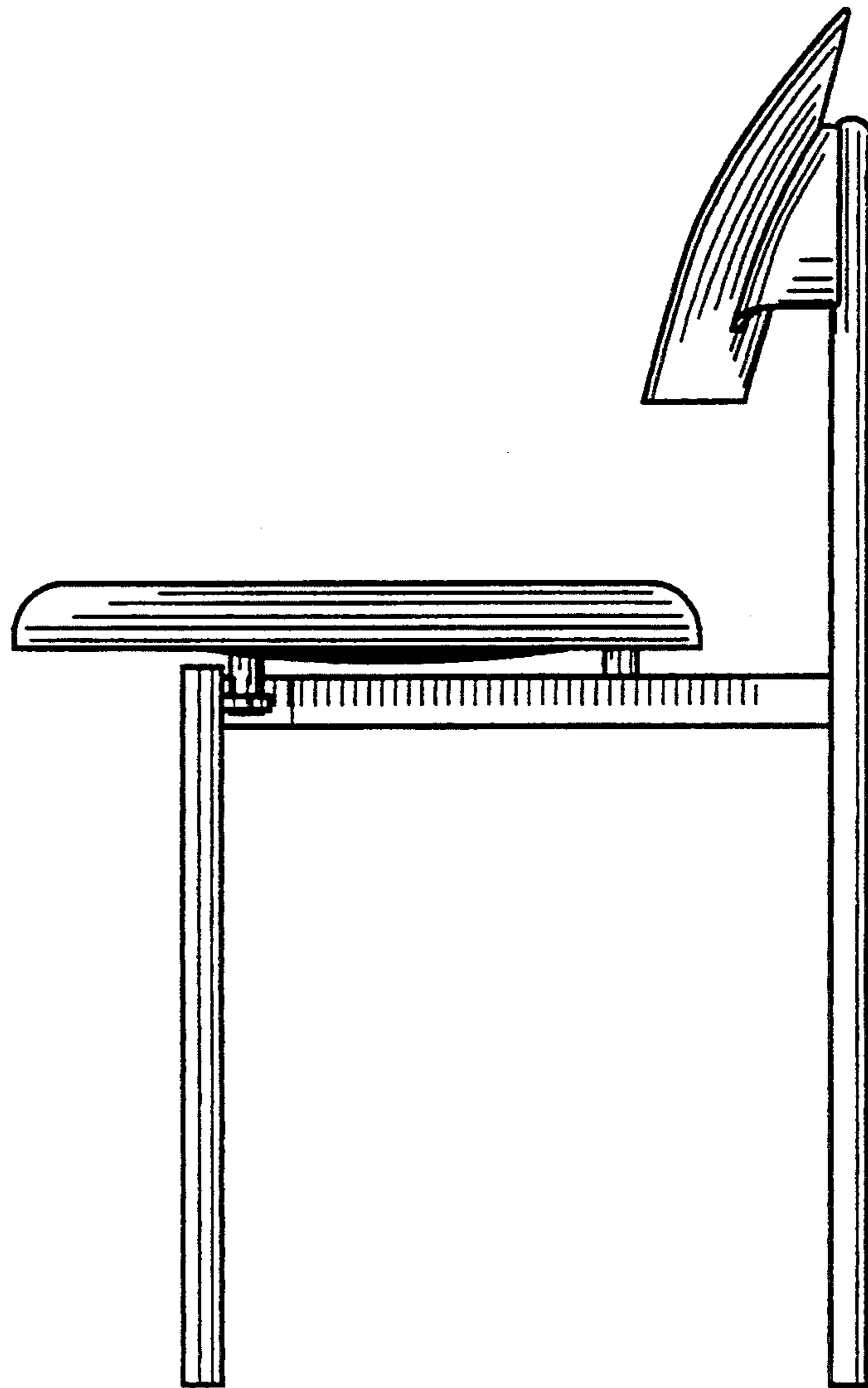


Fig. 3

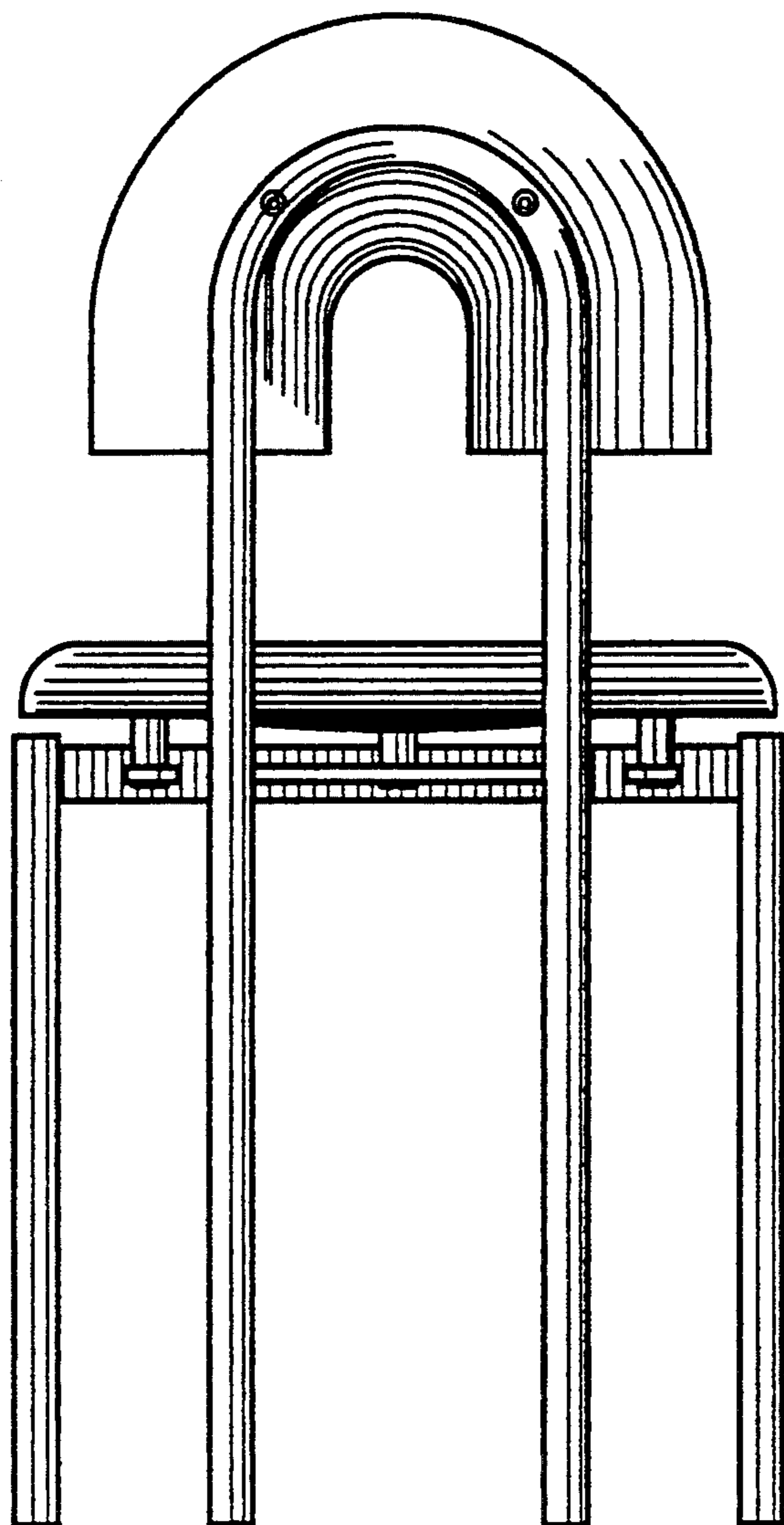


Fig. 4

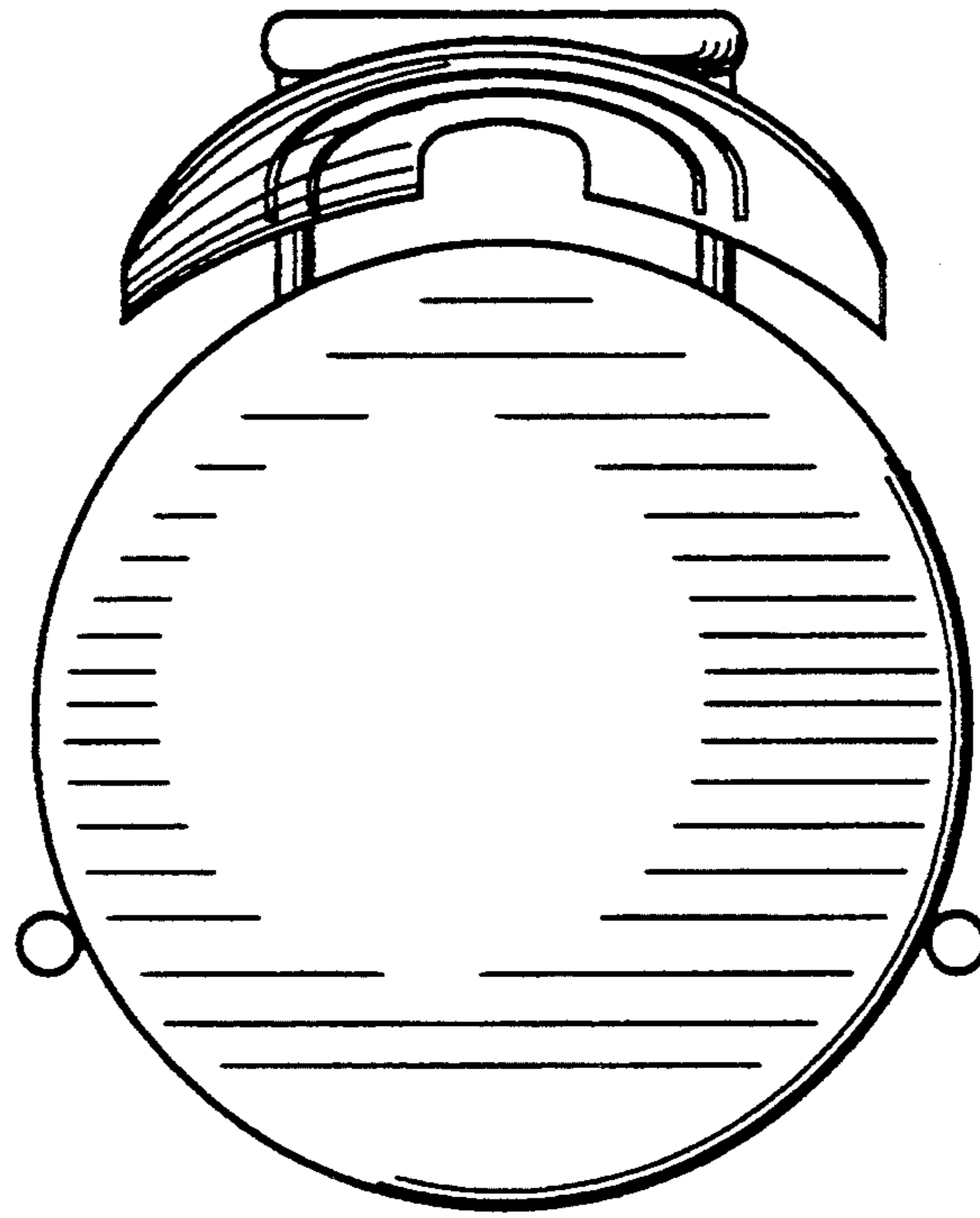


Fig. 5

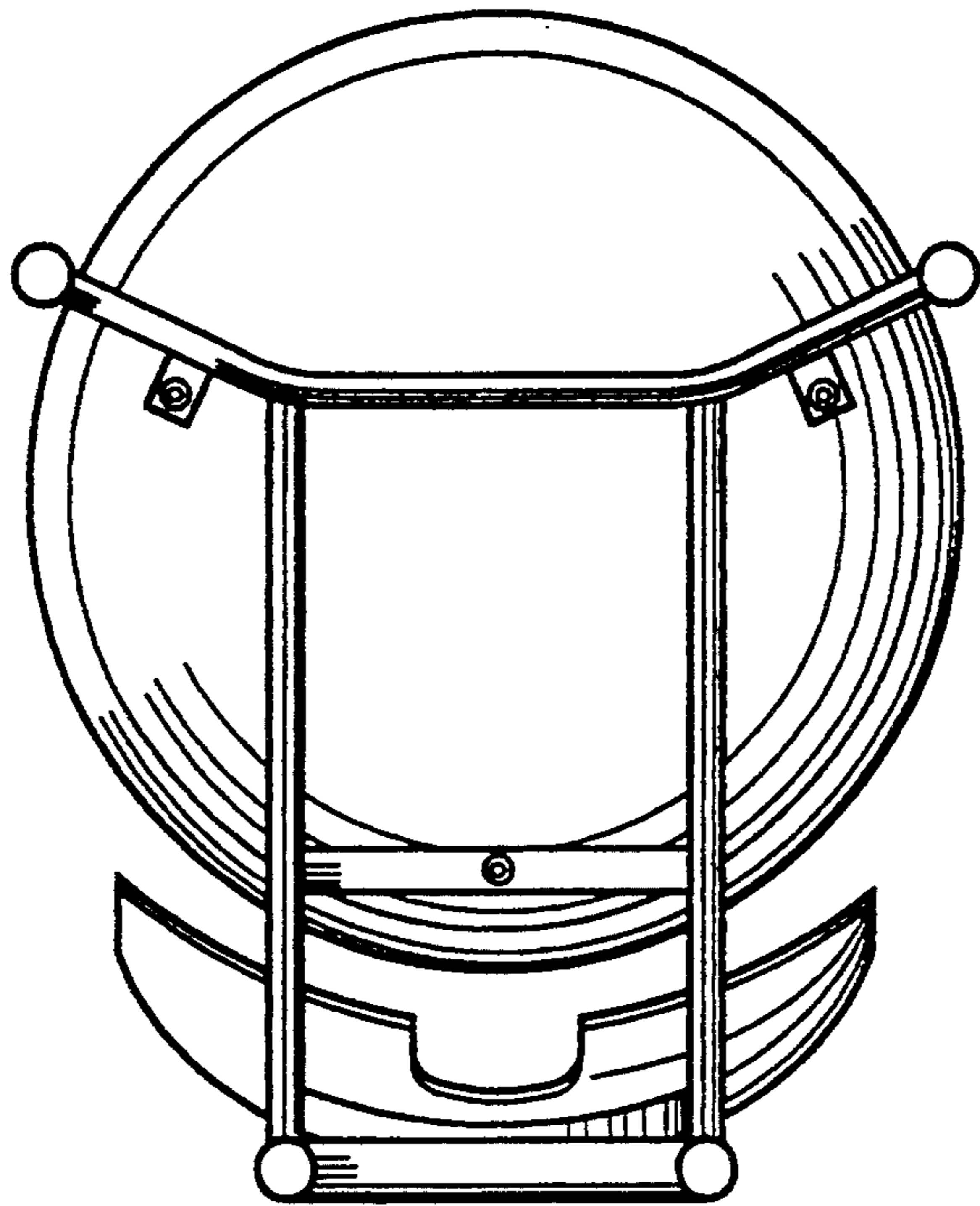


Fig. 6

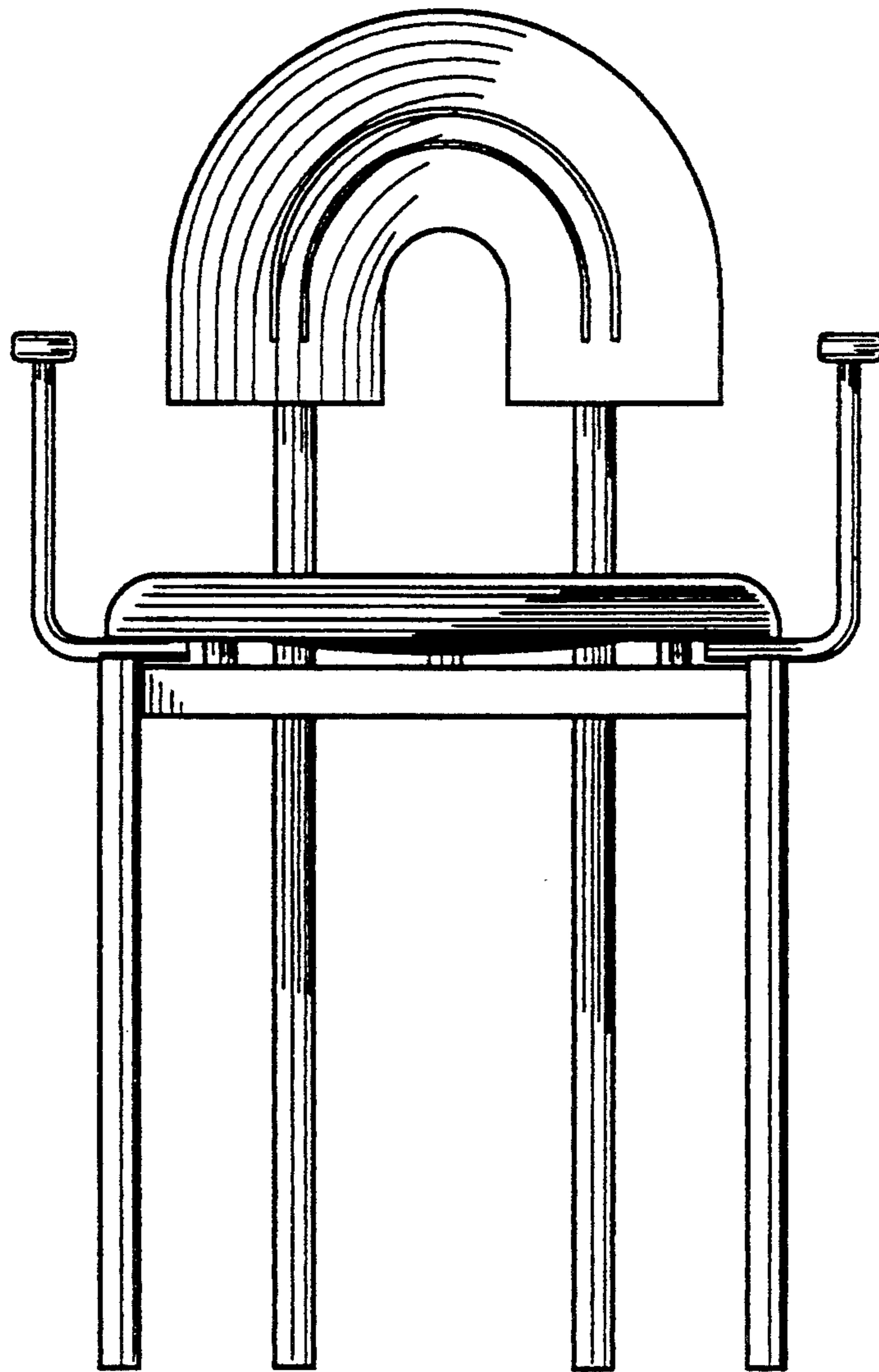


Fig. 7

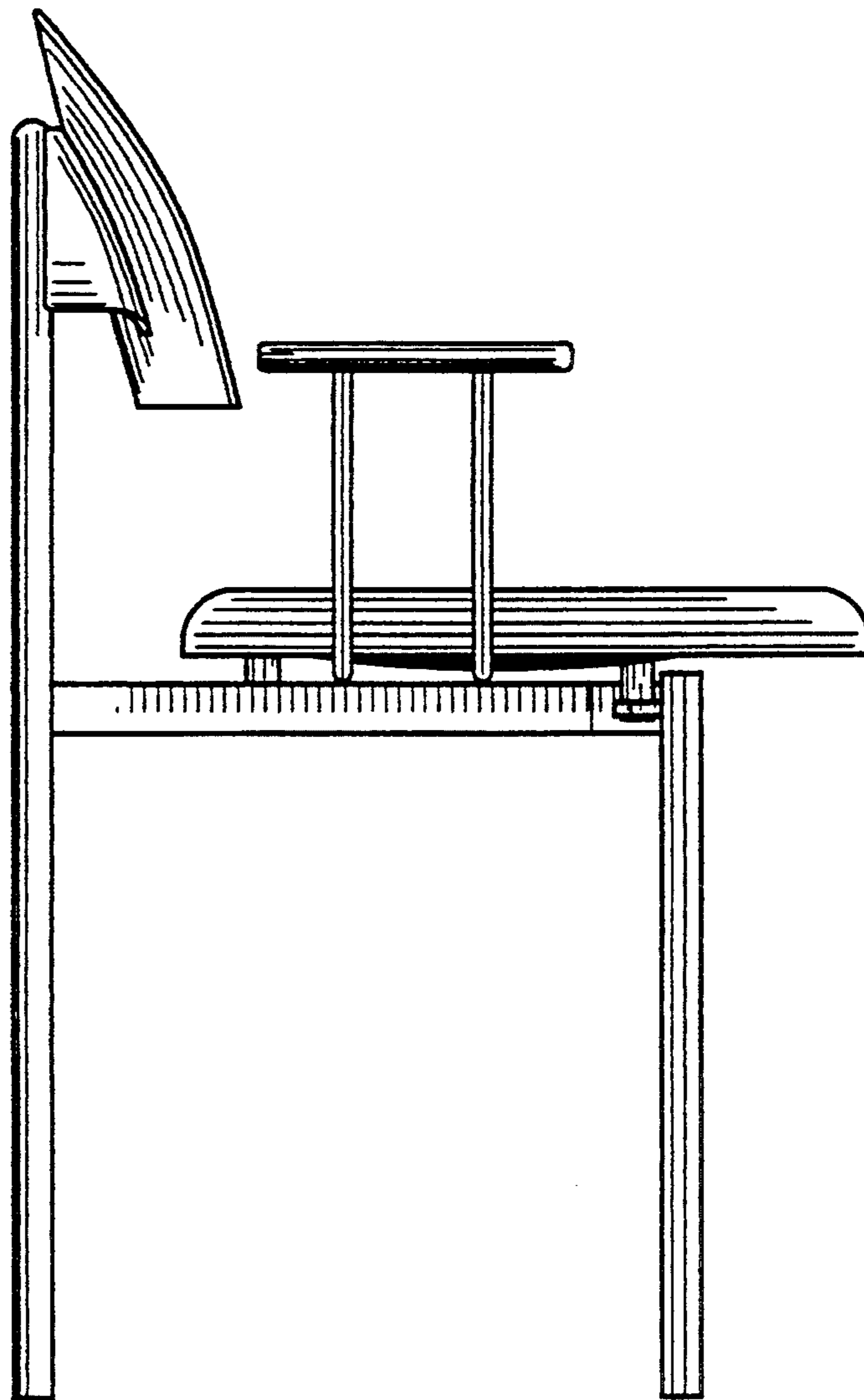


Fig. 8

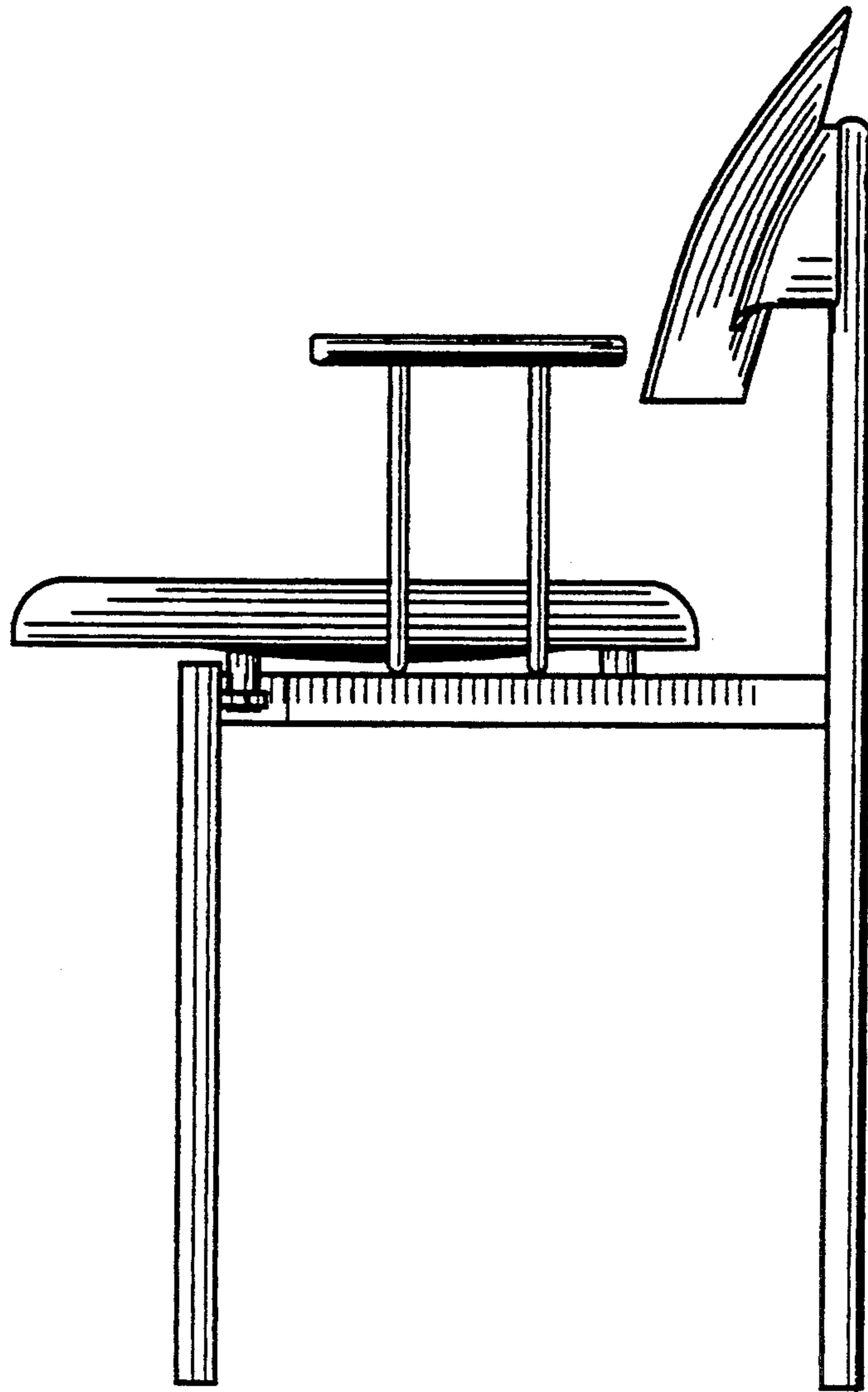


Fig. 9

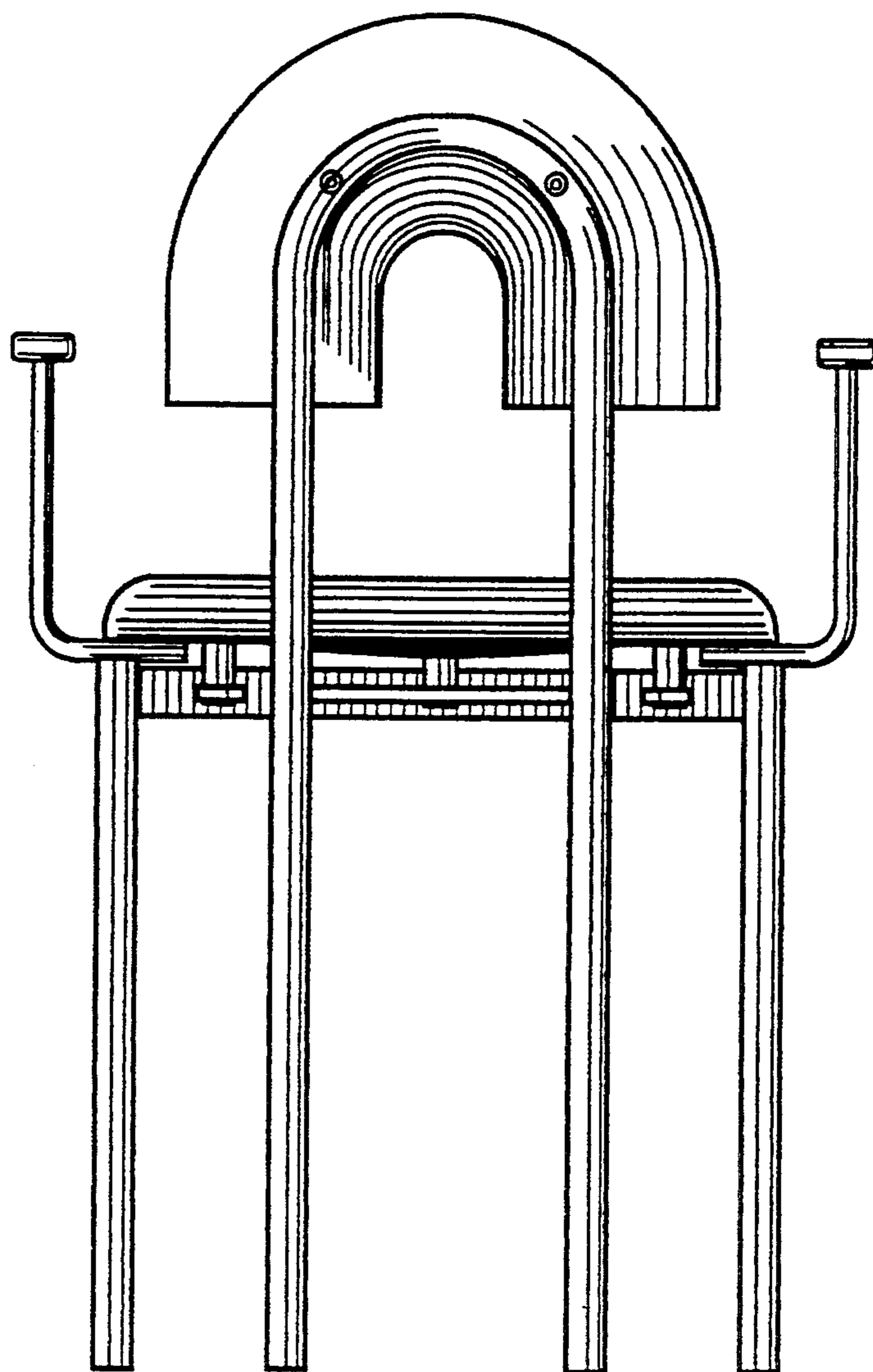


Fig. 10

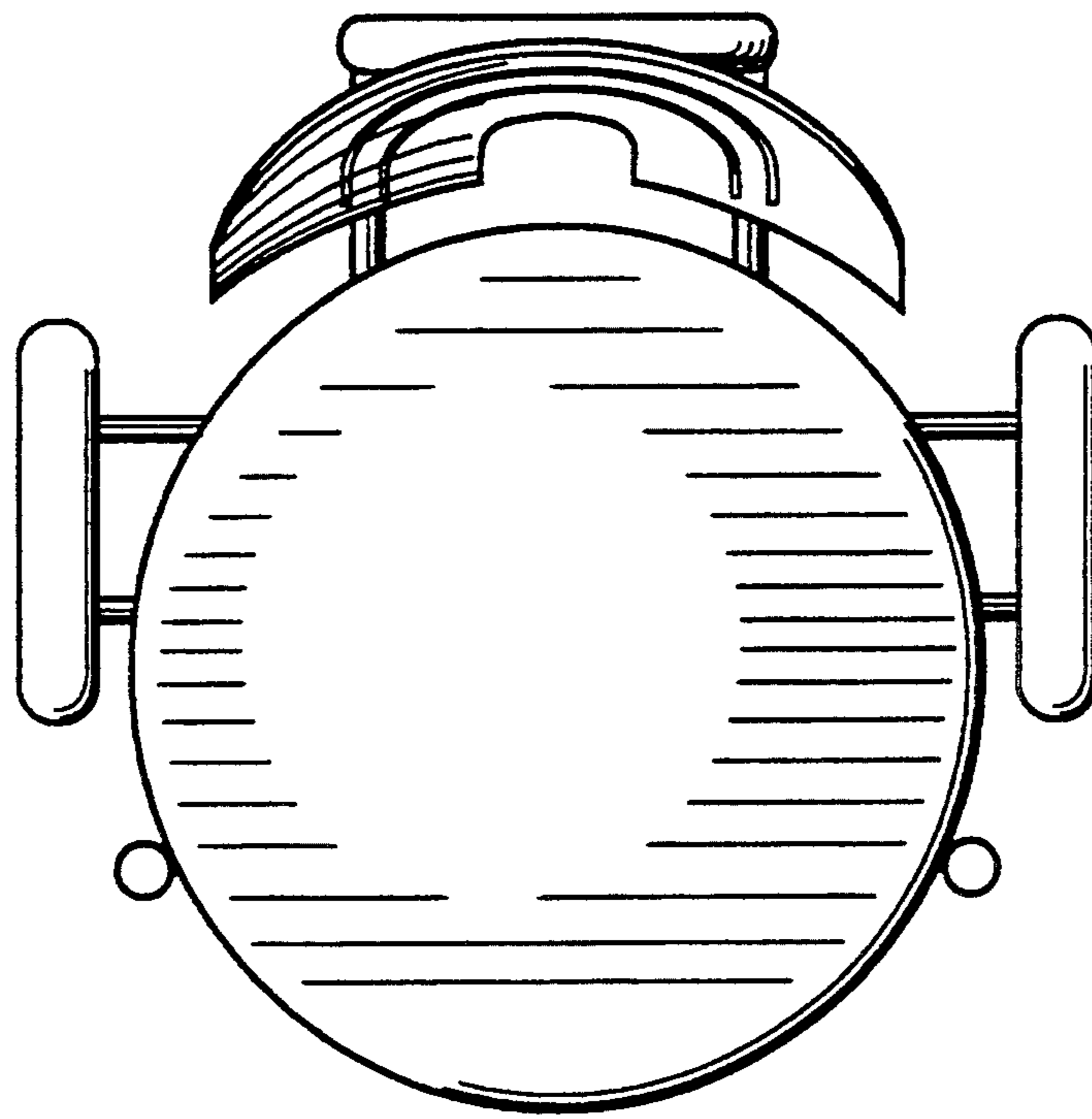


Fig. 11

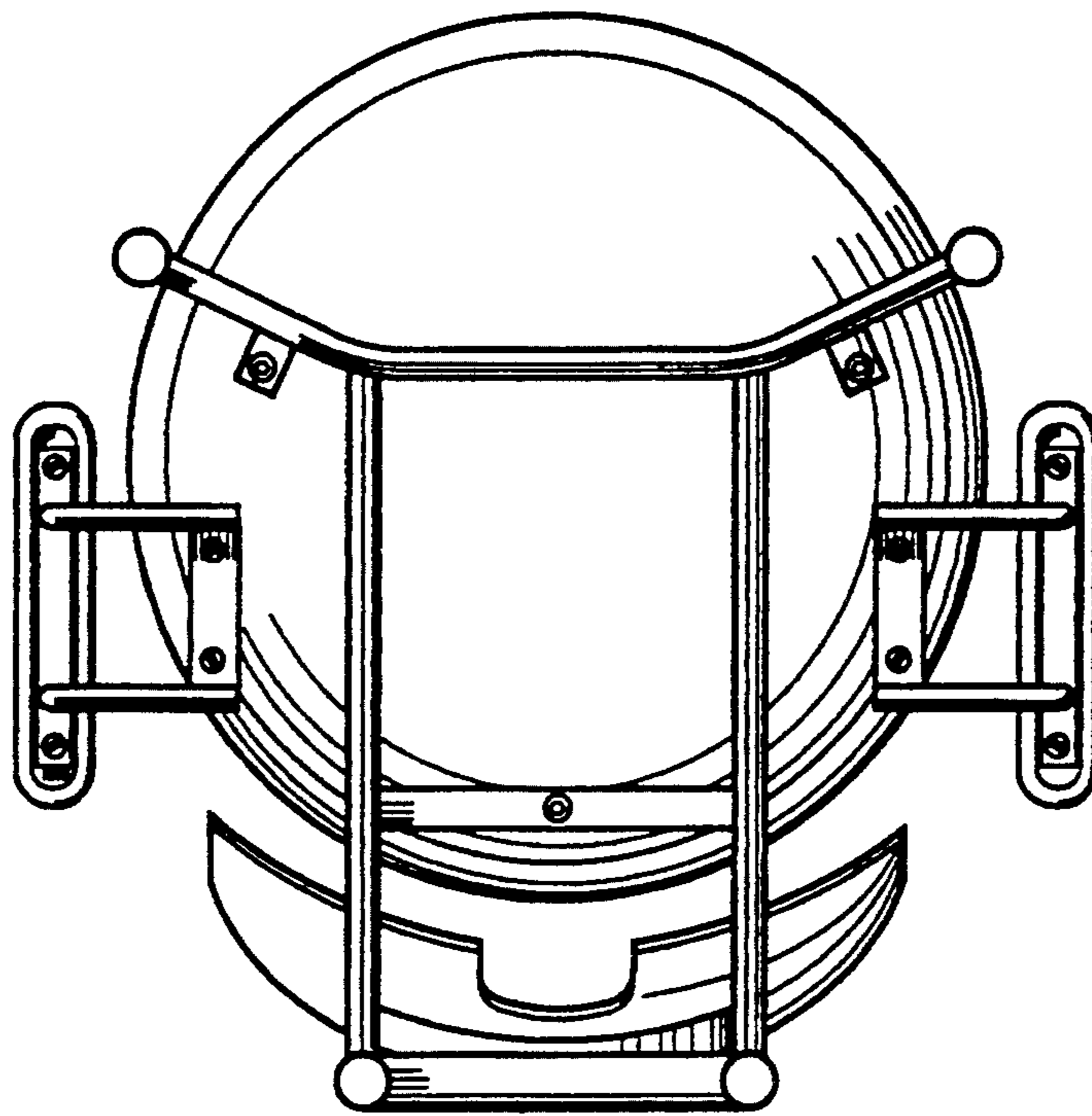


Fig. 12