



US00D352613S

United States Patent [19]

[11] Patent Number: Des. 352,613

Kelly

[45] Date of Patent: ** Nov. 22, 1994

[54] SEAT

[75] Inventor: **Gordon D. Kelly**, Elm Grove, Wis.

[73] Assignee: **Bemis Manufacturing Company**,
Sheboygan Falls, Wis.

[**] Term: **14 Years**

[21] Appl. No.: **7,595**

[22] Filed: **Jan. 26, 1993**

[52] U.S. Cl. **D6/370; D6/381**

[58] Field of Search **D6/334, 370, 374, 375,**
D6/379, 380, 381, 500, 501, 502; 297/411.41,
445, 446, DIG. 2

D. 338,347 8/1993 Hubert D6/370

D. 340,591 10/1993 Lamalle D6/370

D. 342,167 12/1993 Hess D6/370 X

5,044,691 9/1991 Guichon 297/239

5,088,792 2/1992 Guichon 297/445

Primary Examiner—Alan P. Douglas
Assistant Examiner—Gary D. Watson
Attorney, Agent, or Firm—Michael, Best & Friedrich

[57] CLAIM

The ornamental design for a seat, as shown and described.

DESCRIPTION

FIG. 1 is a perspective view of a seat showing my new design;

FIG. 2 is a top plan view thereof;

FIG. 3 is a cross-sectional view thereof taken along line 3—3 in FIG. 2;

FIG. 4 is a right side elevational view thereof, the left side view being a mirror image of that shown;

FIG. 5 is a front elevational view thereof;

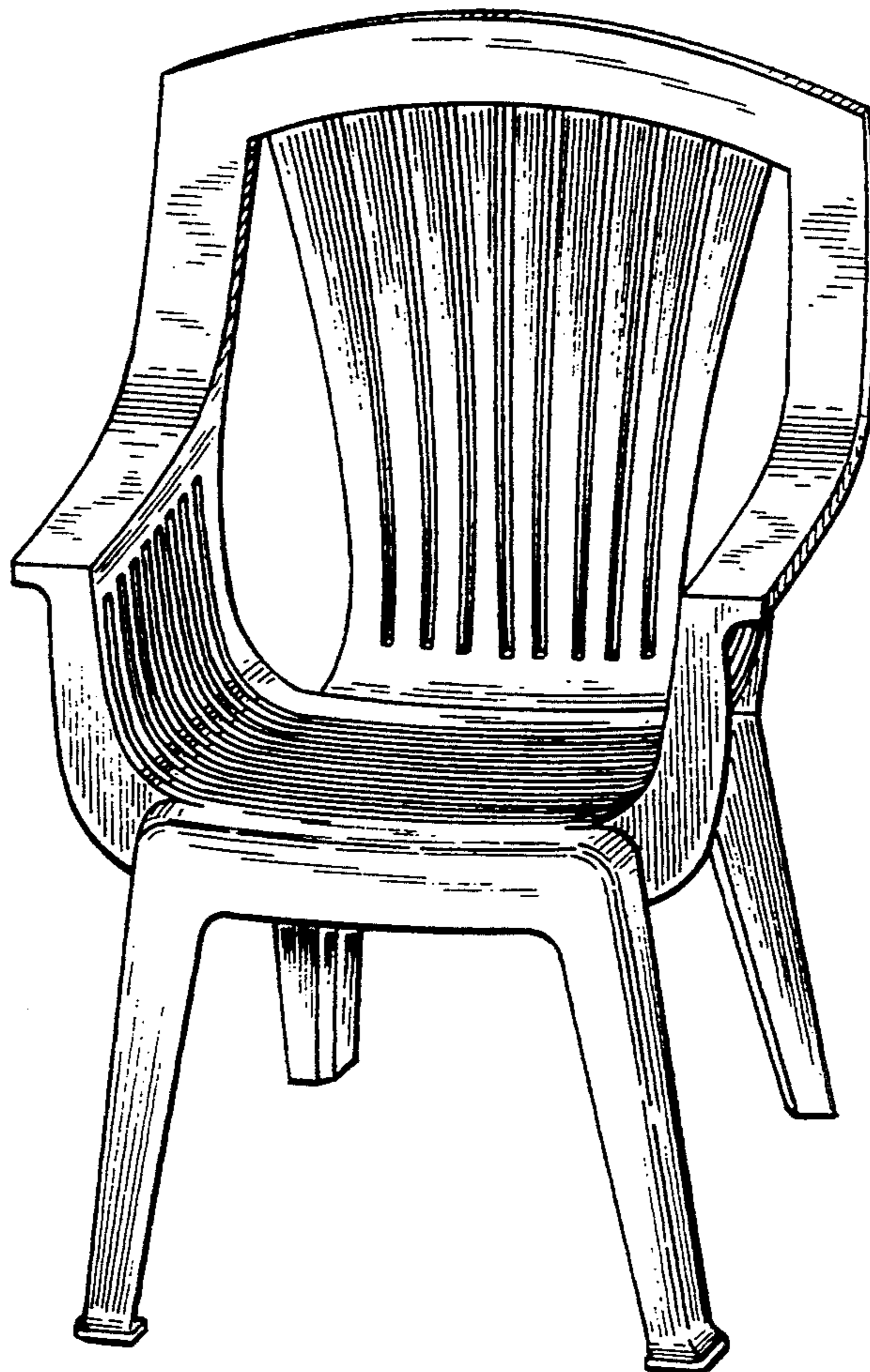
FIG. 6 is a bottom view thereof;

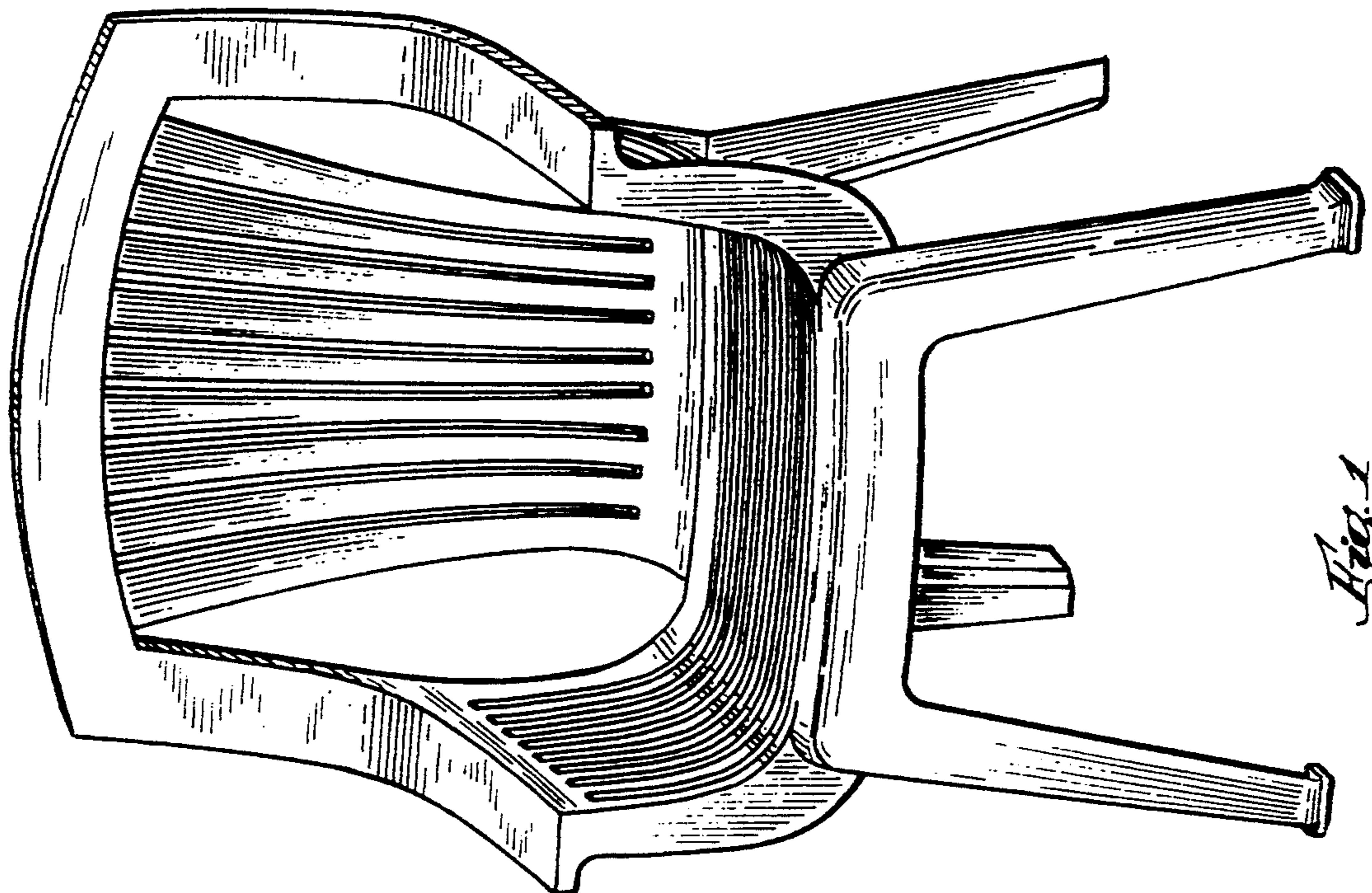
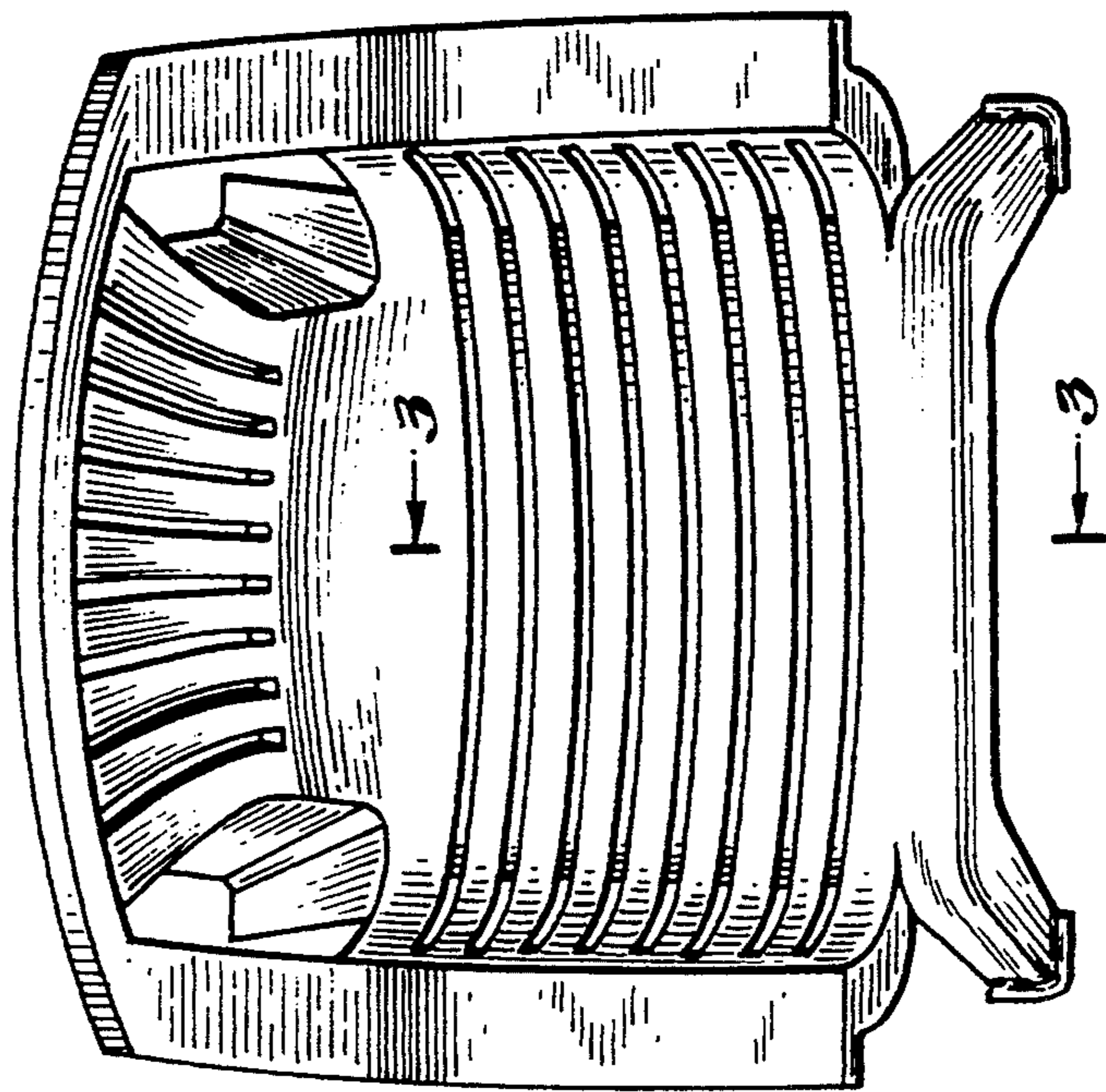
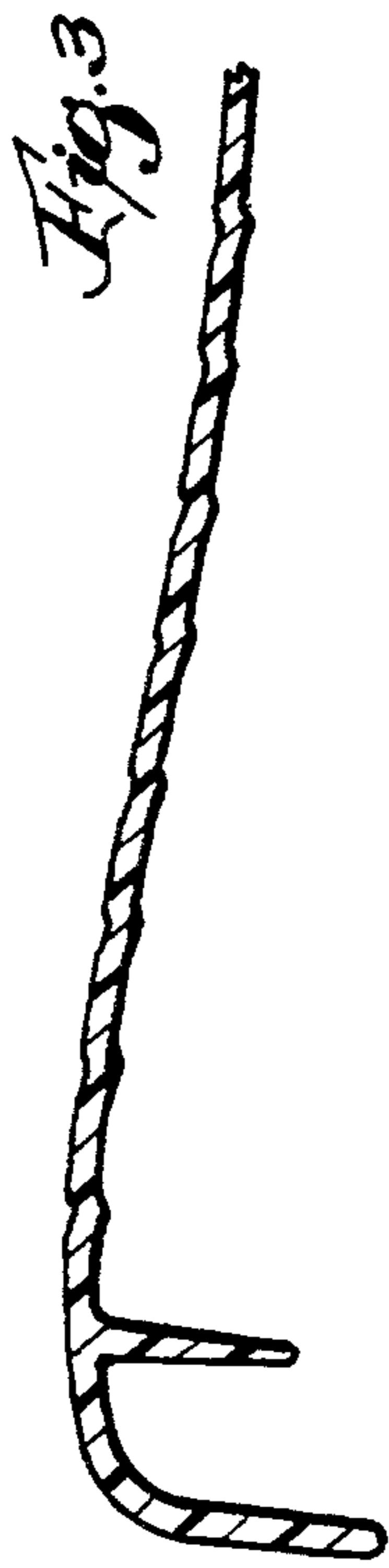
FIG. 7 is a rear elevational view thereof; and,

FIG. 8 is a perspective view of a seat showing a second embodiment of my new design in the form of a love seat.

[56] **References Cited**
U.S. PATENT DOCUMENTS

D. 262,077	12/1981	Deconinck	D6/370
D. 303,591	9/1989	Grosfillex	D6/370
D. 303,736	10/1989	Grosfillex	D6/370
D. 311,461	10/1990	Lee et al.	D6/370
D. 313,515	1/1991	Wood	D6/370 X
D. 317,088	5/1991	Grosfillex	D6/379
D. 328,827	8/1992	Grosfillex	D6/370
D. 330,291	10/1992	Grosfillex	D6/370
D. 335,972	6/1993	Lamalle	D6/370 X
D. 336,382	6/1993	Hubert	D6/370





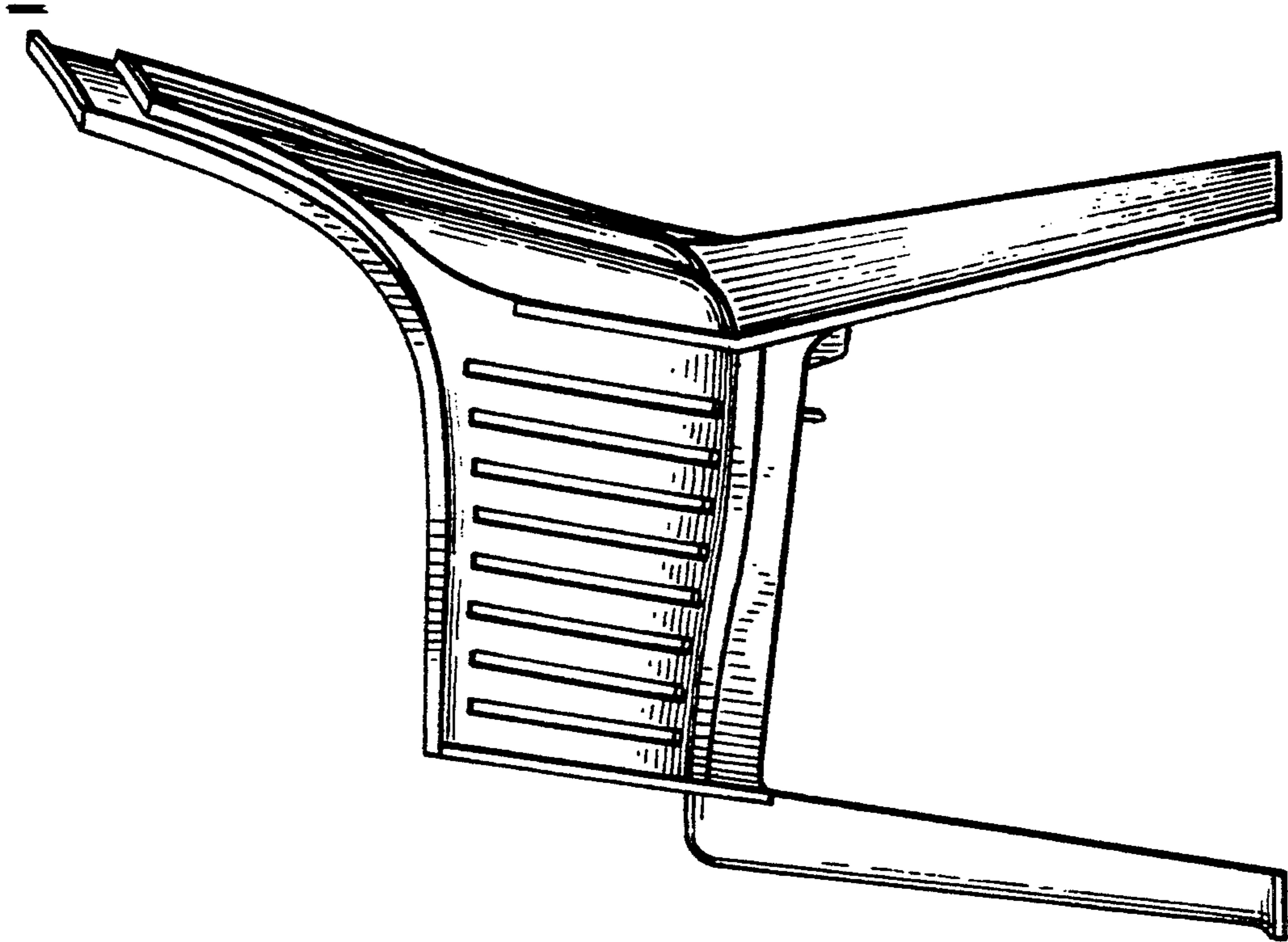


Fig. 4

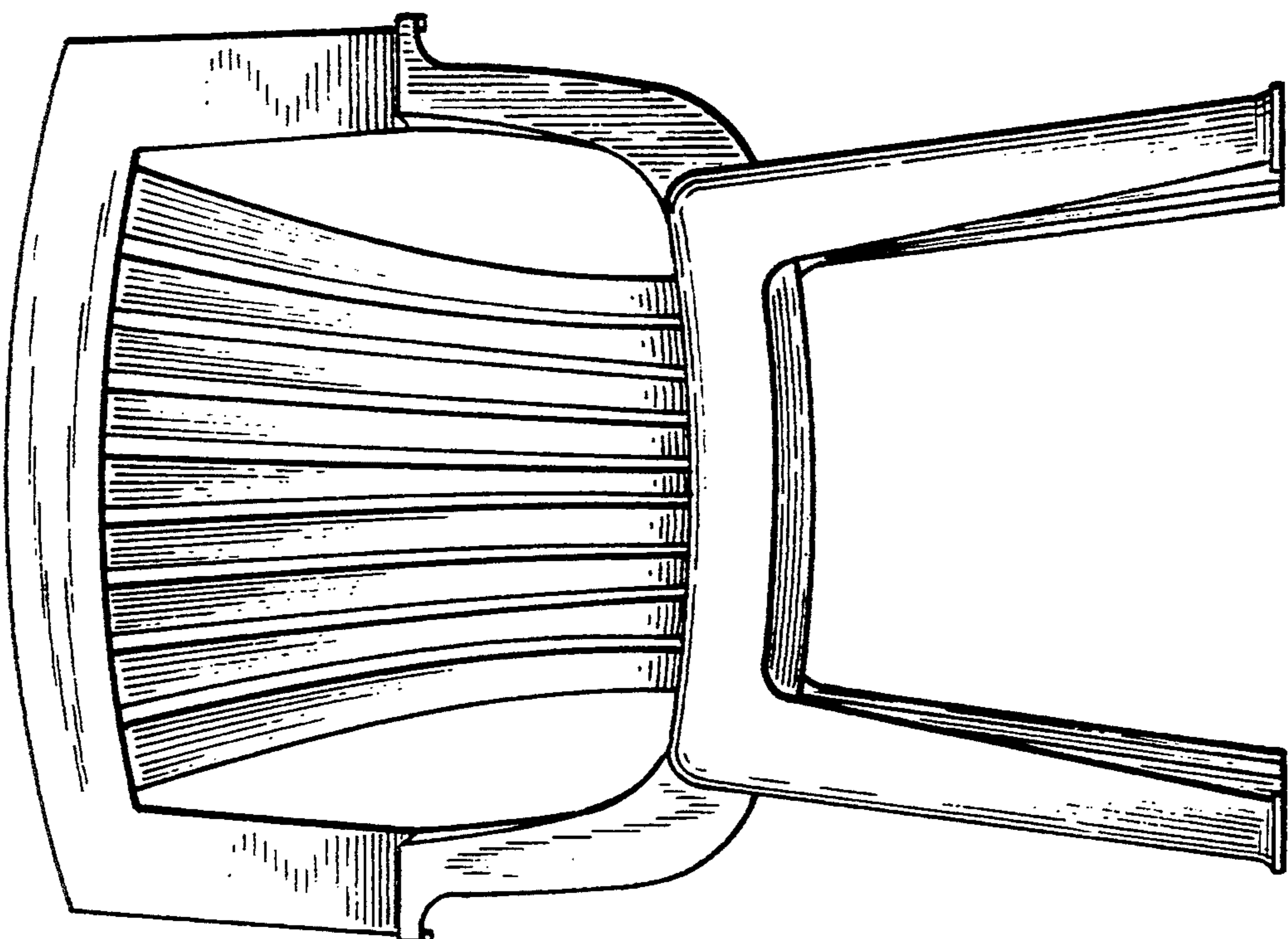


Fig. 5

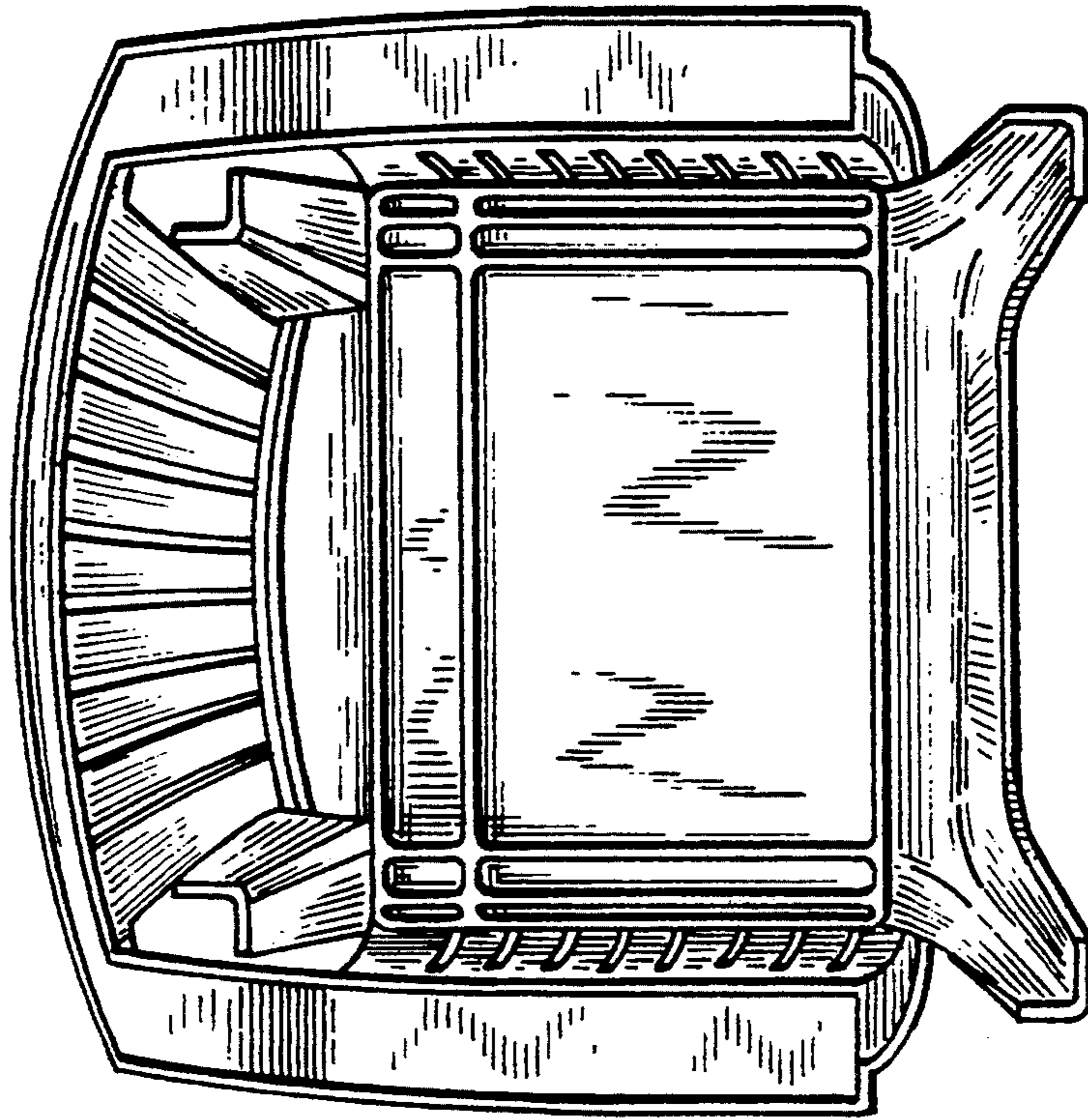


Fig. 6

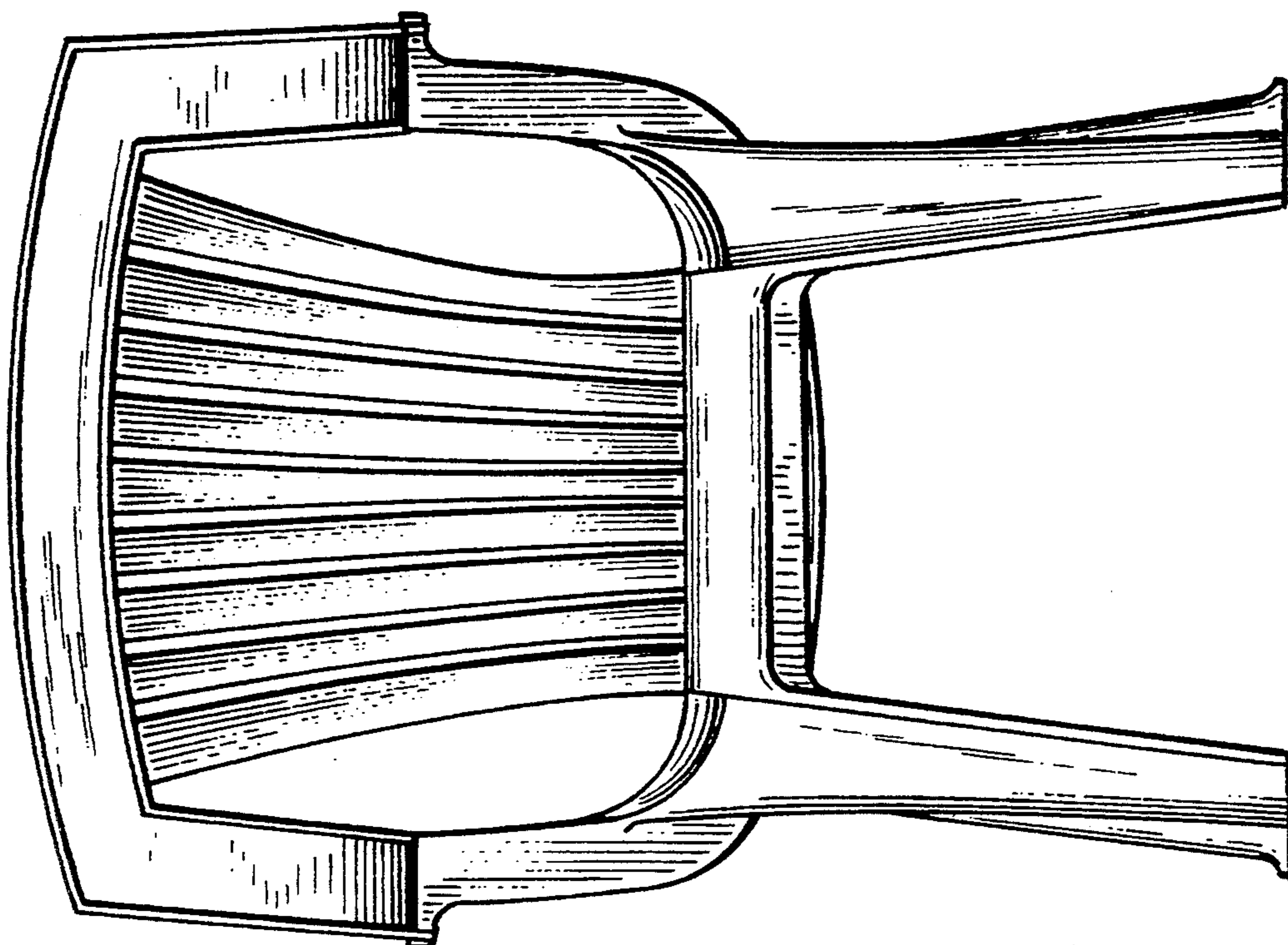


Fig. 7

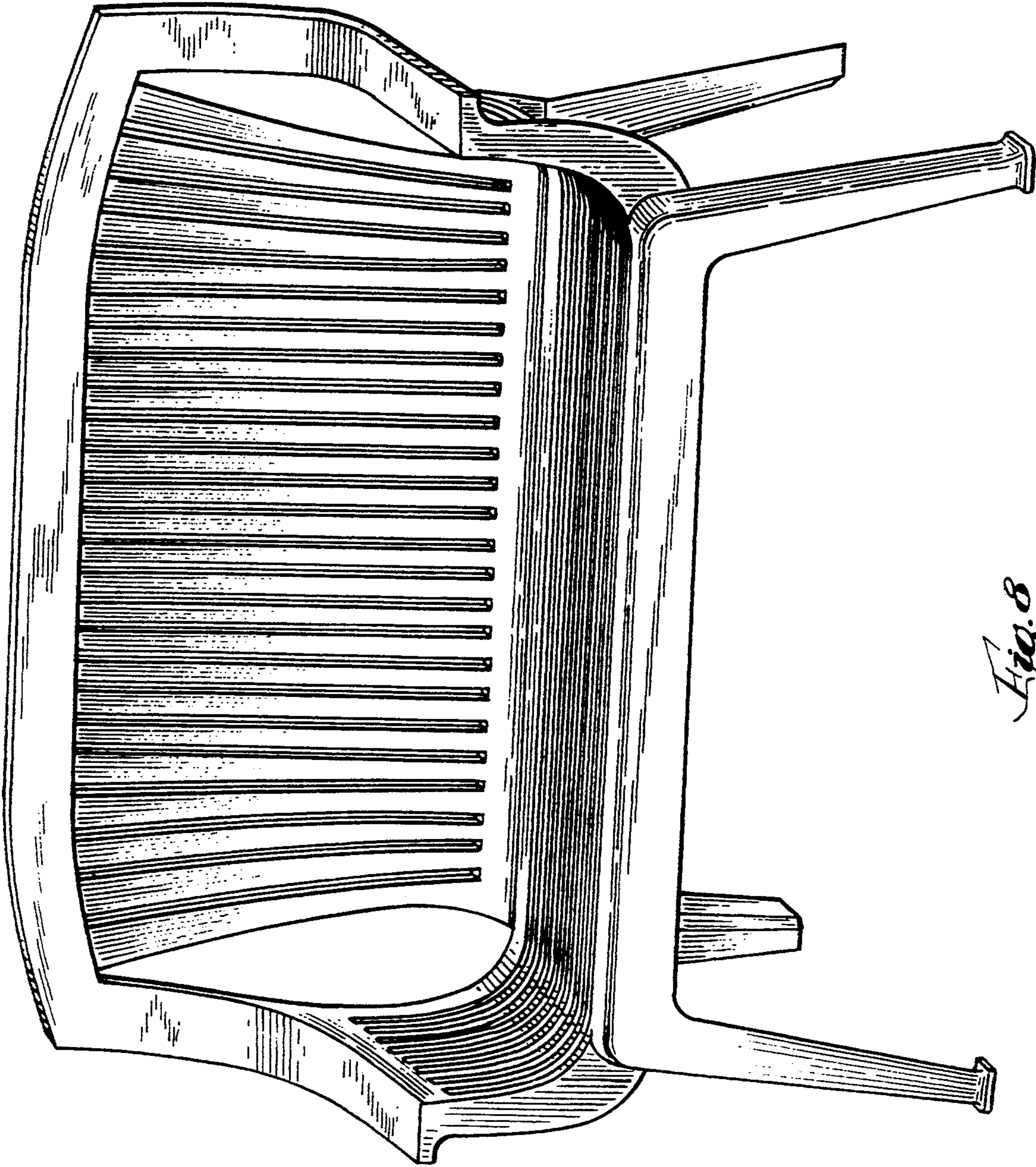


Fig. 8