



US00D352603S

United States Patent [19]

[11] Patent Number: **Des. 352,603**

Maller

[45] Date of Patent: **** Nov. 22, 1994**

[54] **COMBINED SKI AND BOOT CARRIER**

[76] Inventor: **Karen Maller, 27 Ridge Dr. E., Great Neck Estates, N.Y. 11021**

[**] Term: **14 Years**

[21] Appl. No.: **15,574**

[22] Filed: **Nov. 22, 1993**

[52] U.S. Cl. **D3/259; D3/221**

[58] Field of Search **D3/259, 261, 317, 315, D3/216, 217, 221; 224/42.01, 907, 917, 151, 209, 210, 259; 294/147, 146, 148, 162; 211/70.5; 206/315.1; 280/814, 815**

[56] **References Cited**

U.S. PATENT DOCUMENTS

4,308,982	1/1982	Hall	224/205	X
4,673,118	6/1987	Kronz	224/917	X
4,693,402	9/1987	Comeau	224/907	X
4,785,980	11/1988	Redick	206/315.1	X
4,982,883	1/1991	Ullal et al.	224/917	X

Primary Examiner—A. Hugo Word
Assistant Examiner—Doris V. Coles
Attorney, Agent, or Firm—Collard & Roe

[57] **CLAIM**

The ornamental design for a combined ski and boot carrier, as shown and described.

DESCRIPTION

FIG. 1 is a perspective view of a combined ski and boot carrier with a ski, ski pole and ski boot disposed therein, showing my new design (the ski, ski pole and ski boot shown in dotted line do not form a part of the claimed design);

FIG. 2 is a front side elevational view thereof;

FIG. 3 is a right side elevational view thereof;

FIG. 4 is a left side elevational view thereof;

FIG. 5 is a bottom view thereof;

FIG. 6 is a back side view thereof;

FIG. 7 is a top plan view thereof; and,

FIG. 8 is a perspective view of the combined ski and boot carrier partly rolled up.

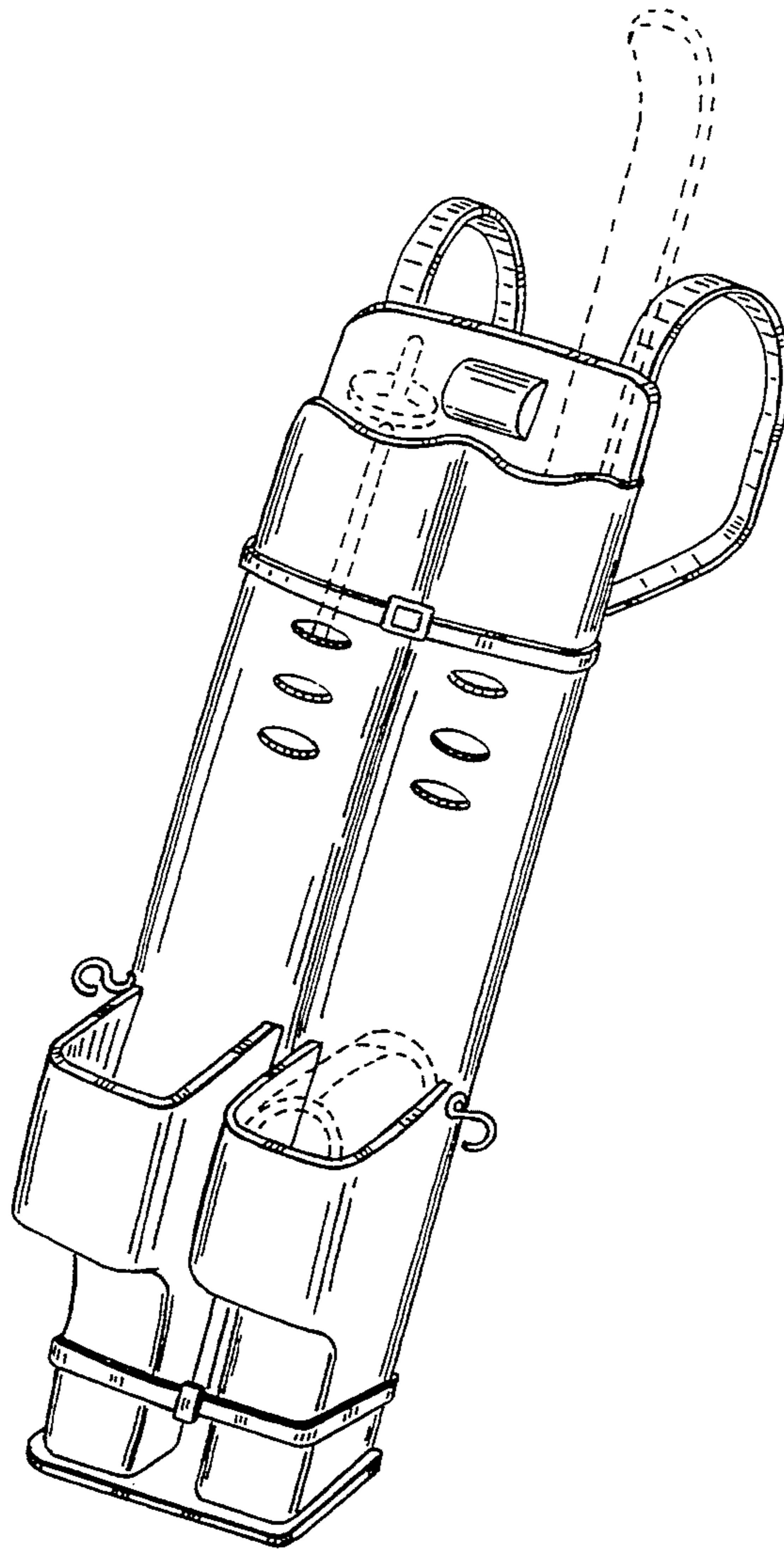


FIG. 1

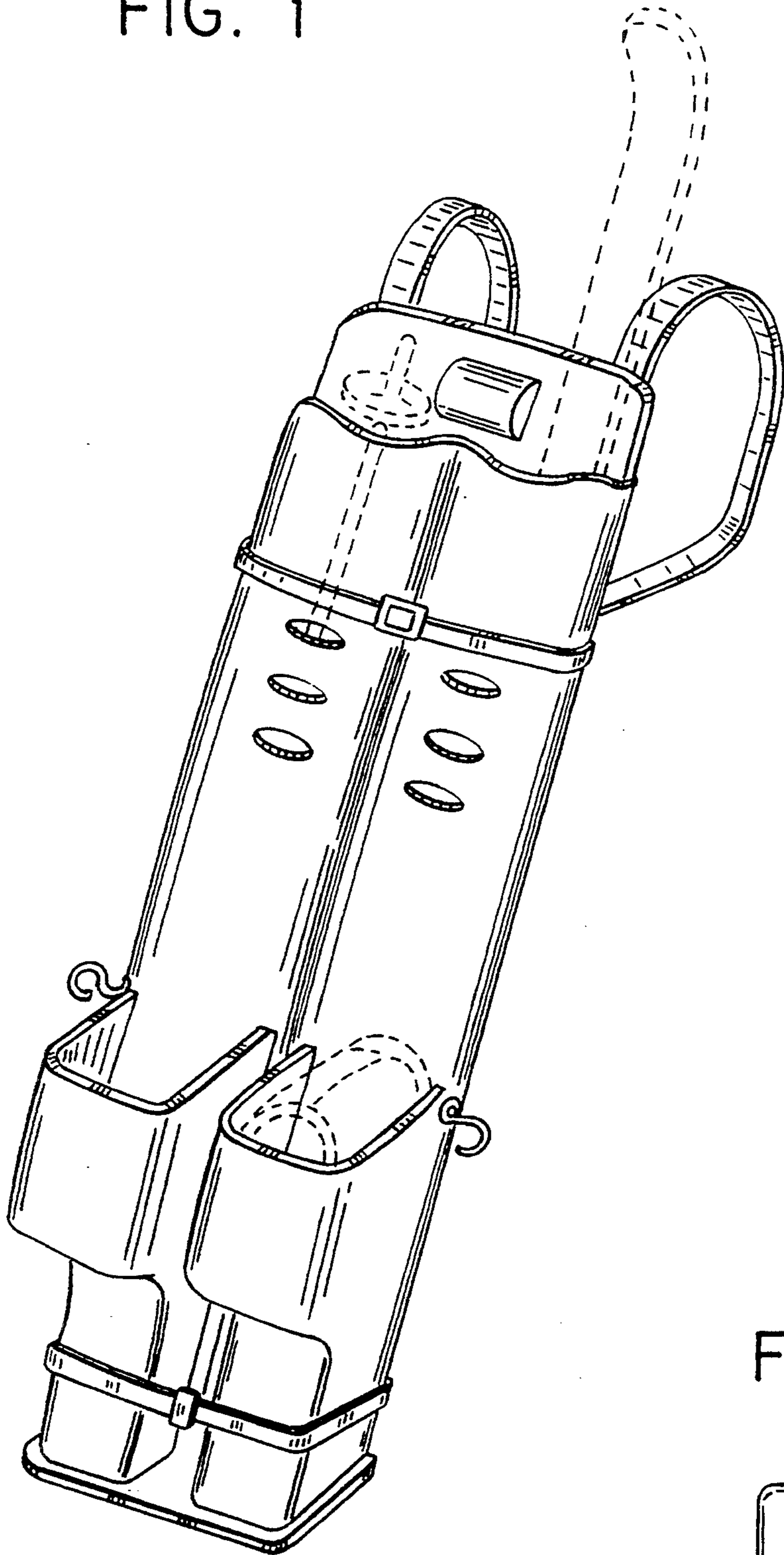


FIG. 5

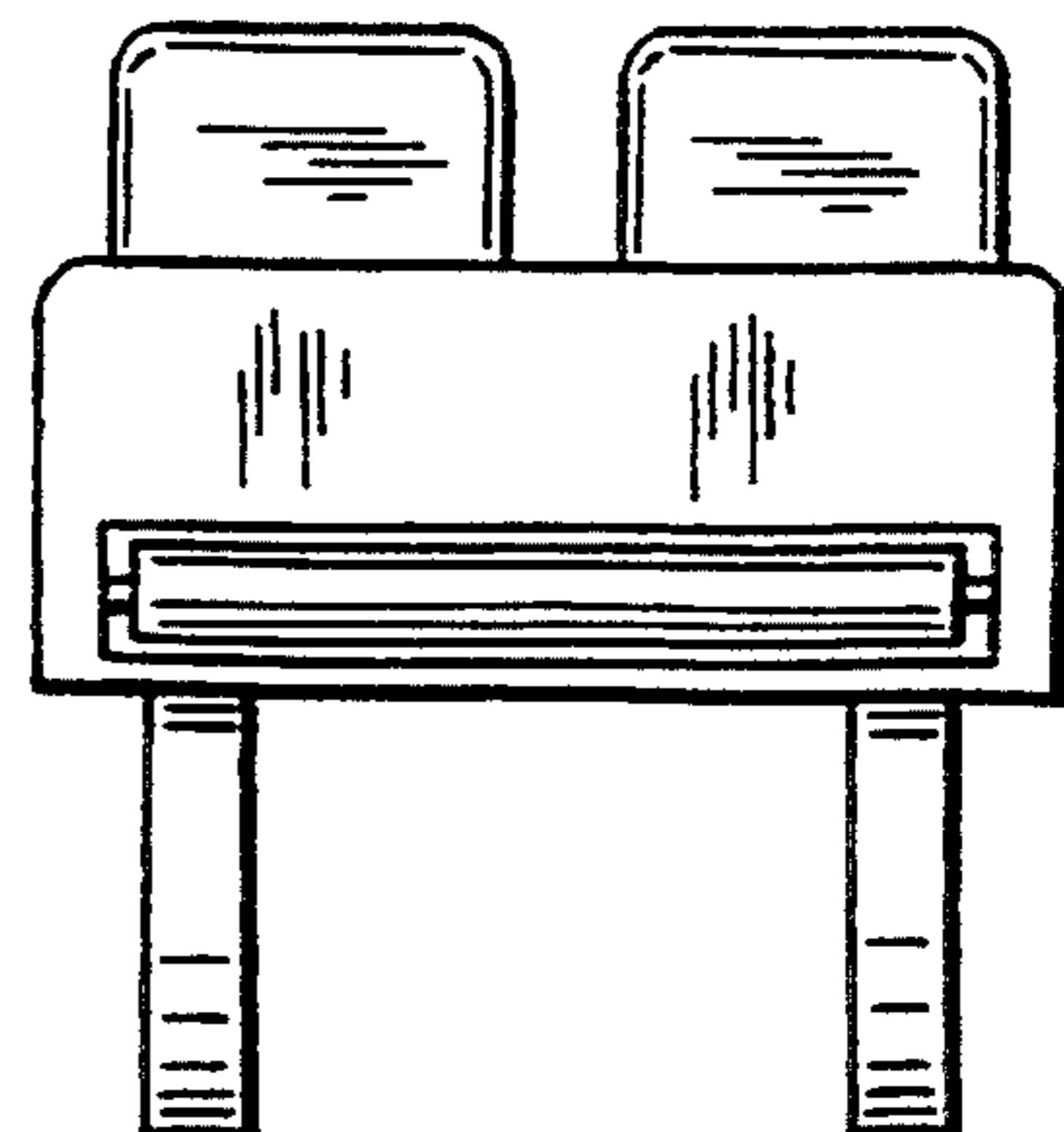


FIG. 2

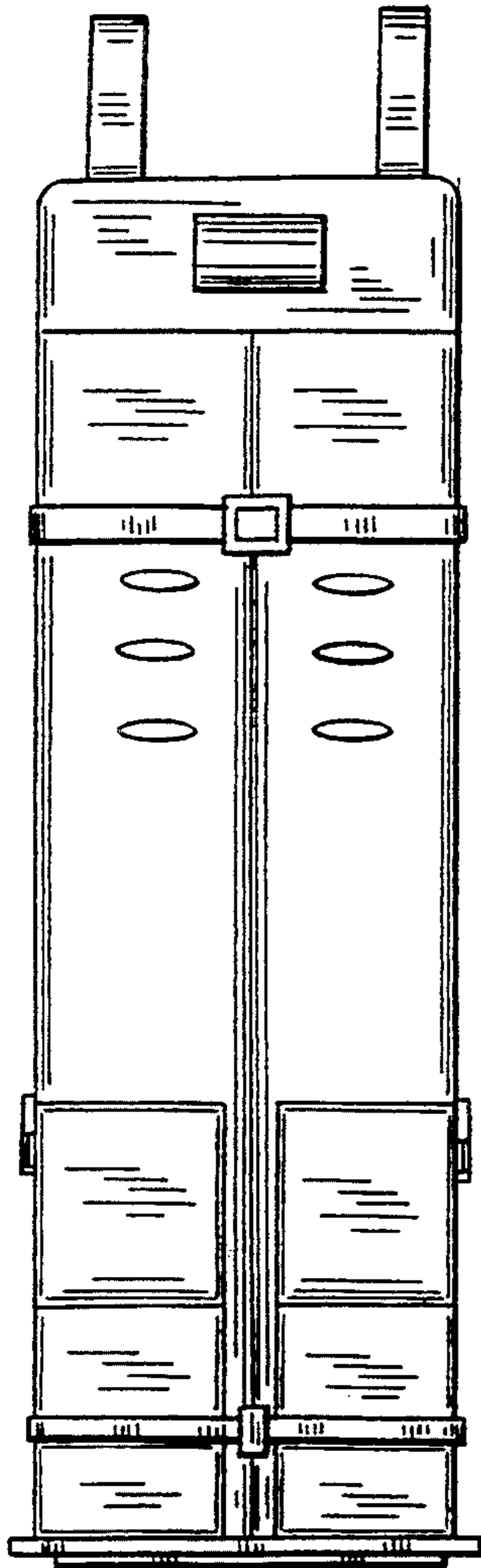


FIG. 3

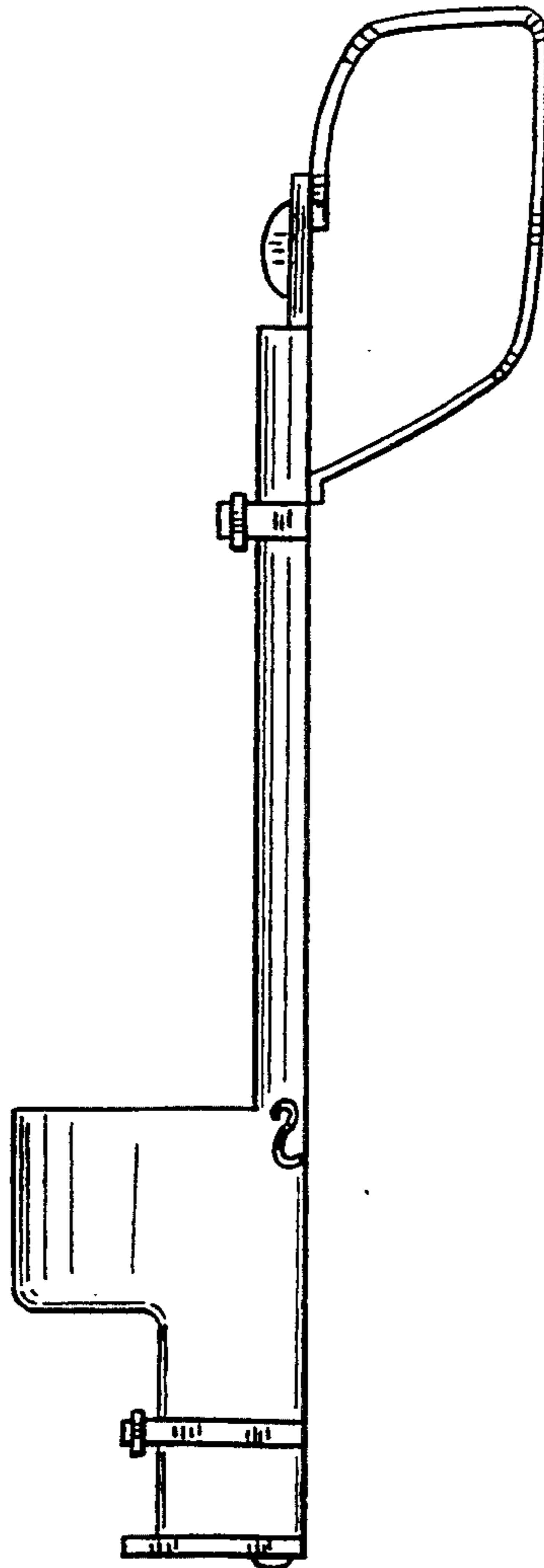


FIG. 4

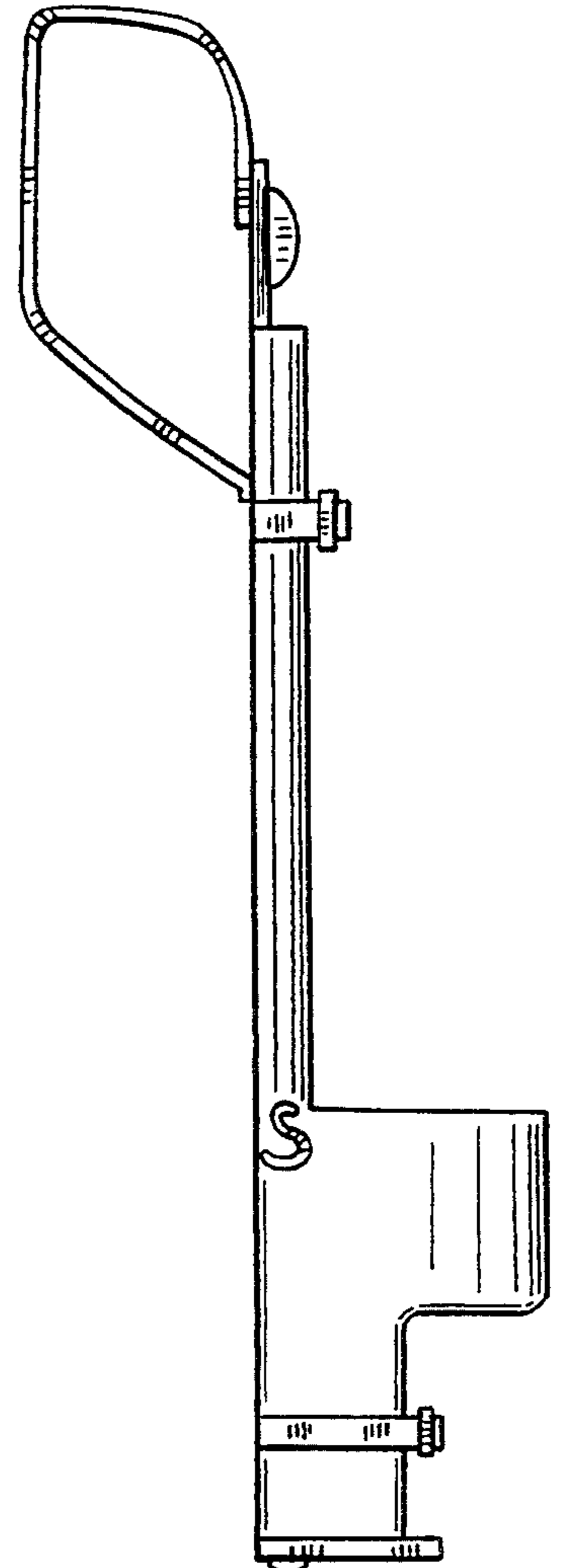


FIG. 6

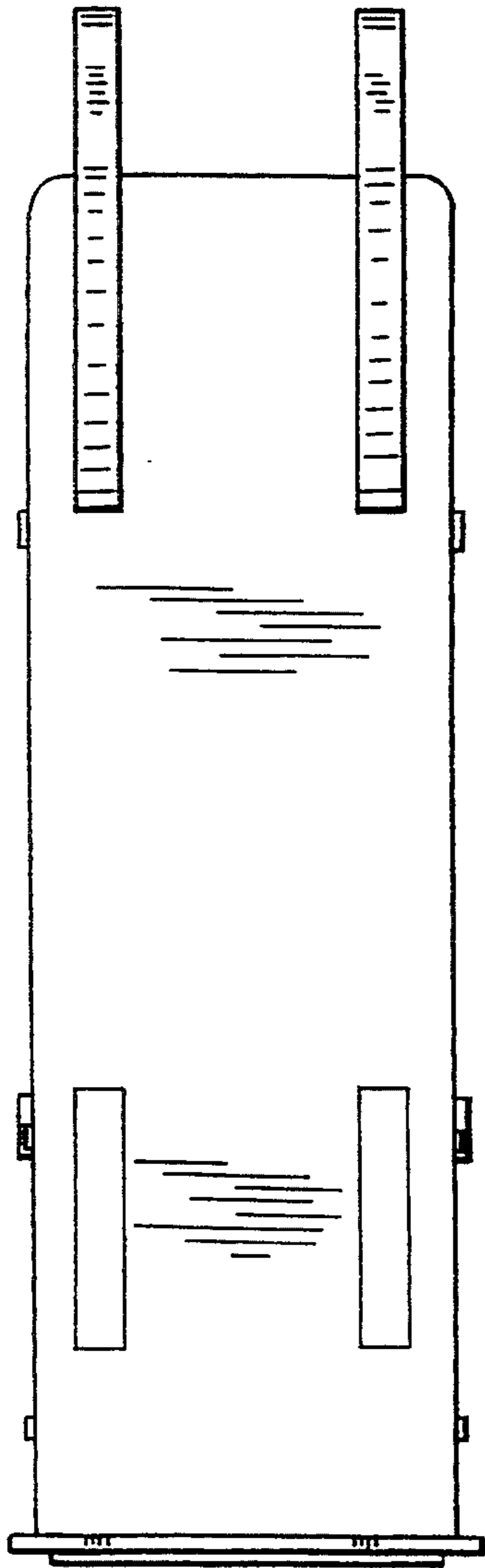


FIG. 7

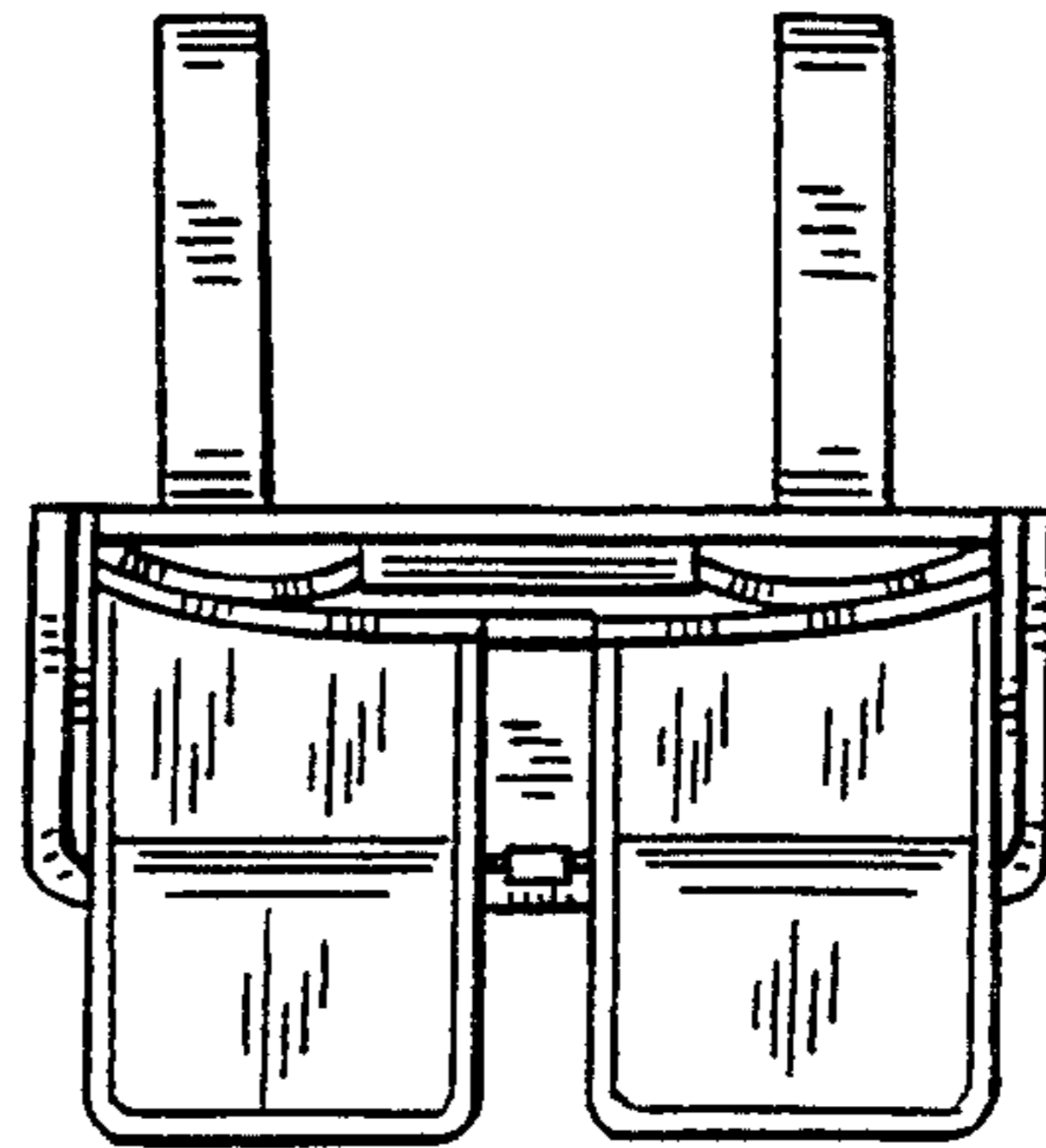


FIG. 8

