



US00D352591S

United States Patent [19]

[11] Patent Number: **Des. 352,591**

Laney

[45] Date of Patent: **** Nov. 22, 1994**

[54] **EXTENDABLE AUTO SAFETY BELT ACCESSORY**

5,005,865 4/1991 Kruse .

5,050,906 9/1991 Kneip .

5,123,673 6/1992 Tame .

5,248,187 9/1993 Harrison 297/468

[76] Inventor: **Edgar Laney, 515 Claraday St. #3, Glendora, Calif. 91740**

[**] Term: **14 Years**

Primary Examiner—Bernard P. Ansher
Assistant Examiner—Paula Mortimer
Attorney, Agent, or Firm—Terry M. Gernstein

[21] Appl. No.: **4,485**

[57] **CLAIM**

[22] Filed: **Feb. 5, 1993**

The ornamental design for an extendable auto safety belt accessory, as shown and described.

[52] U.S. Cl. **D2/631**

[58] Field of Search D2/627, 631; 24/498, 24/633; 297/468, 466; 280/801; D11/200, 216; D12/42, 43

DESCRIPTION

[56] **References Cited**

U.S. PATENT DOCUMENTS

1,027,979	5/1912	Bienezucht	24/498
2,807,066	9/1957	Honey et al.	D11/216 X
3,550,956	12/1970	Lowe	297/468
3,840,849	10/1974	Lohr	297/468 X
4,706,992	11/1987	Downing et al.	297/468 X

FIG. 1 is a front, top and side perspective view of the extendable auto safety belt accessory showing my new design;

FIG. 2 is a front elevational view thereof;

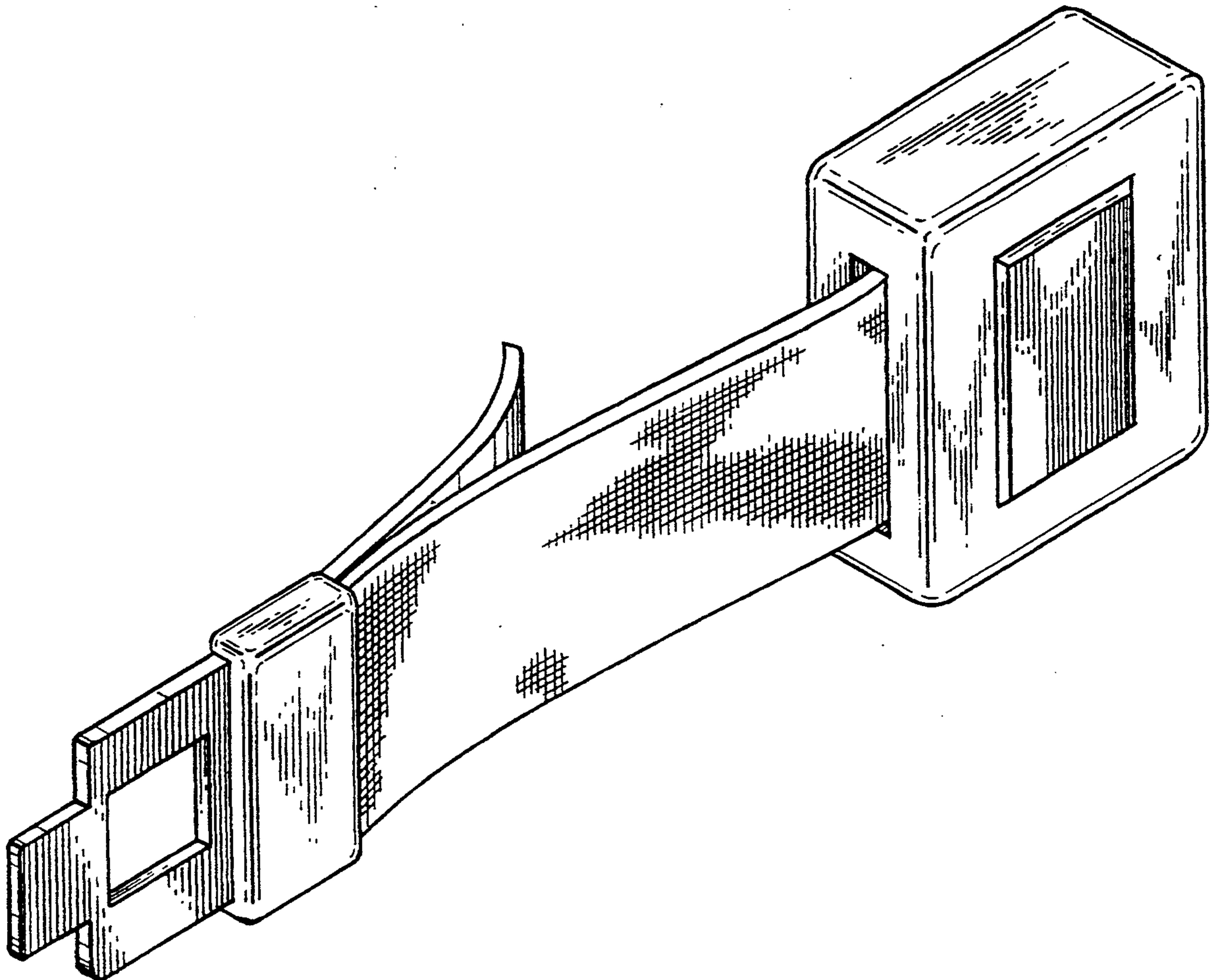
FIG. 3 is a rear elevational view thereof;

FIG. 4 is a side elevational view thereof;

FIG. 5 is a side elevational view thereof;

FIG. 6 is a top plan view thereof; and,

FIG. 7 is a bottom plan view thereof.



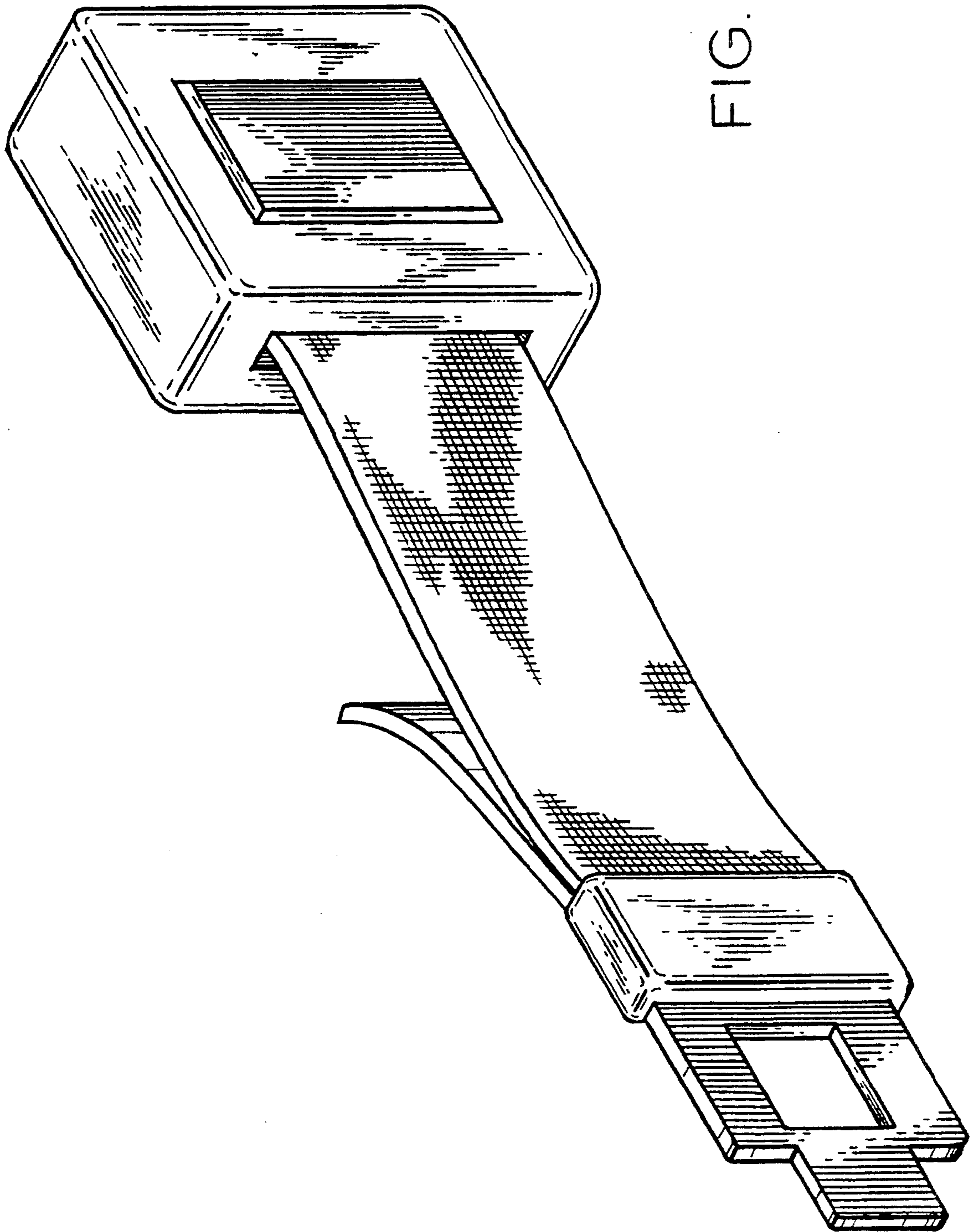


FIG. 1

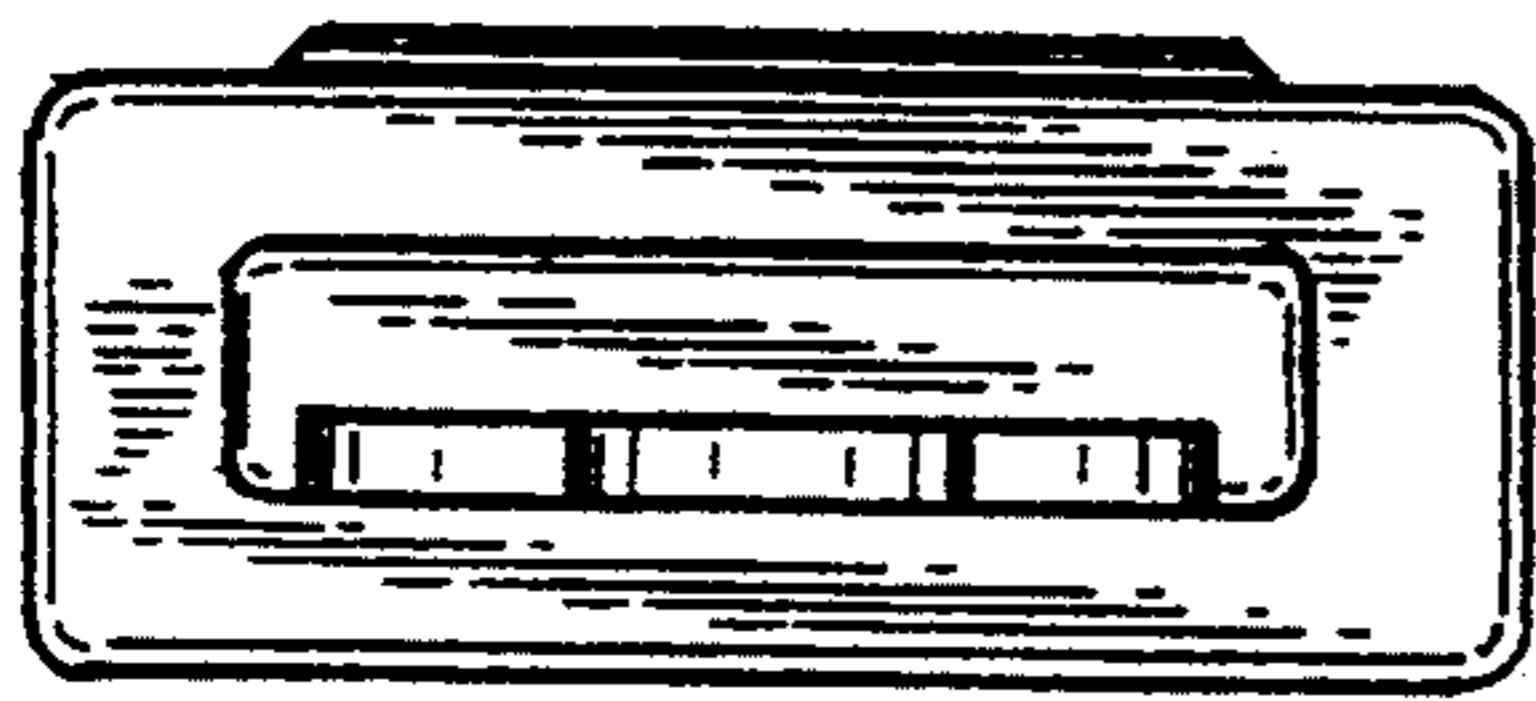


FIG. 4

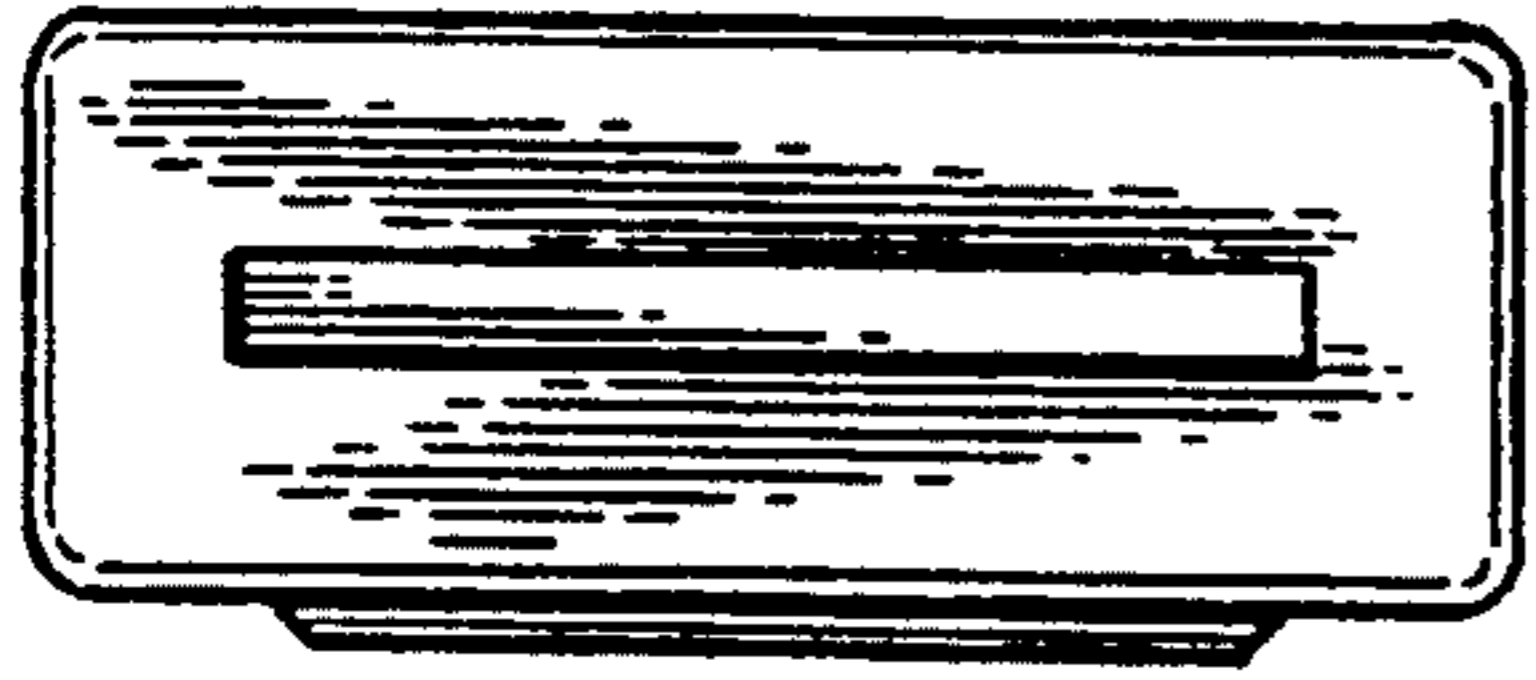


FIG. 5

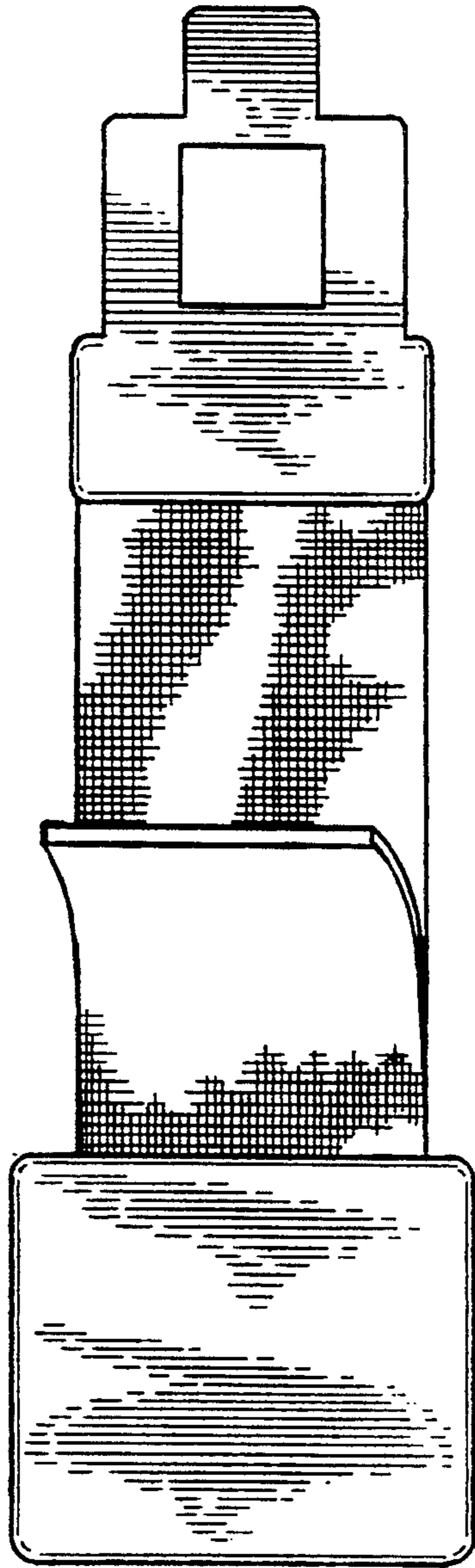


FIG. 3

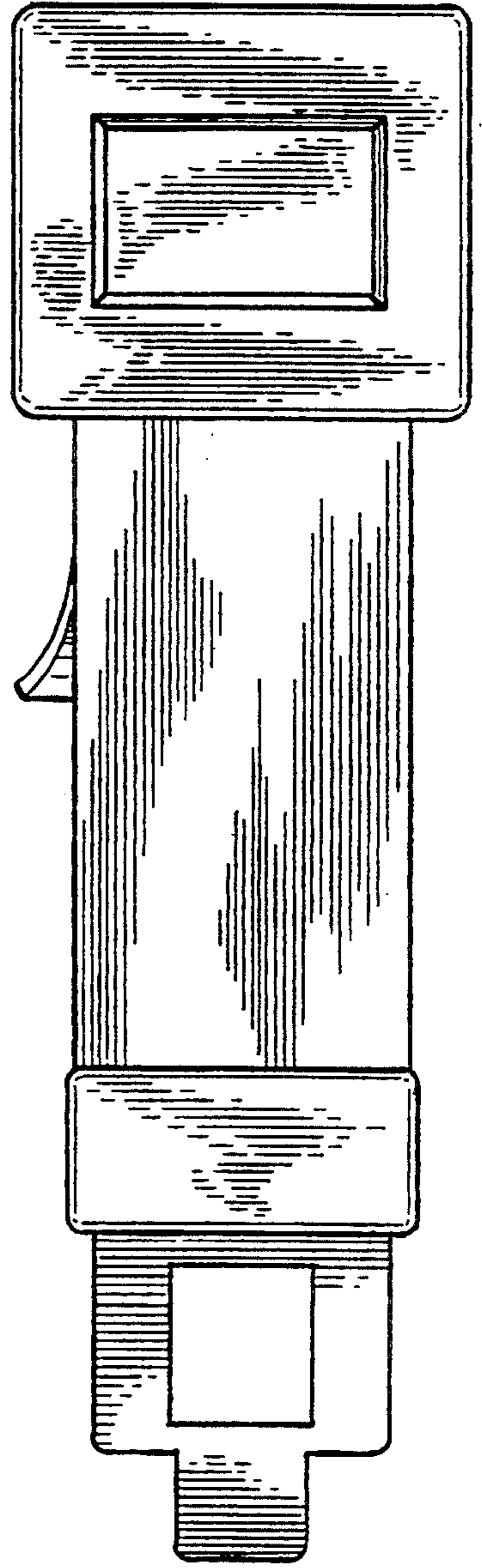


FIG. 2

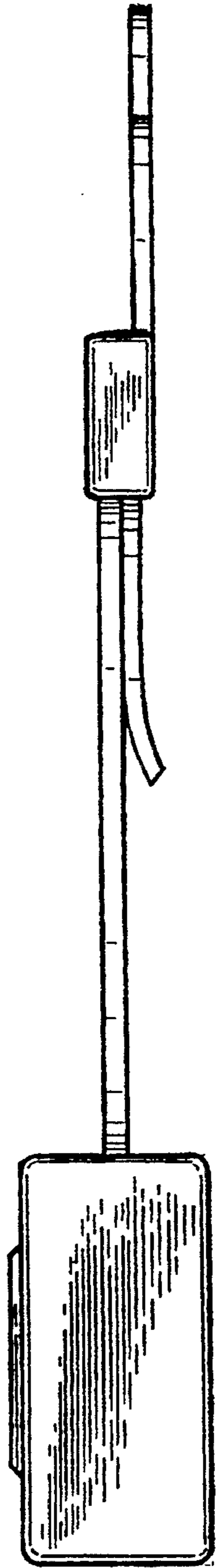


FIG. 6

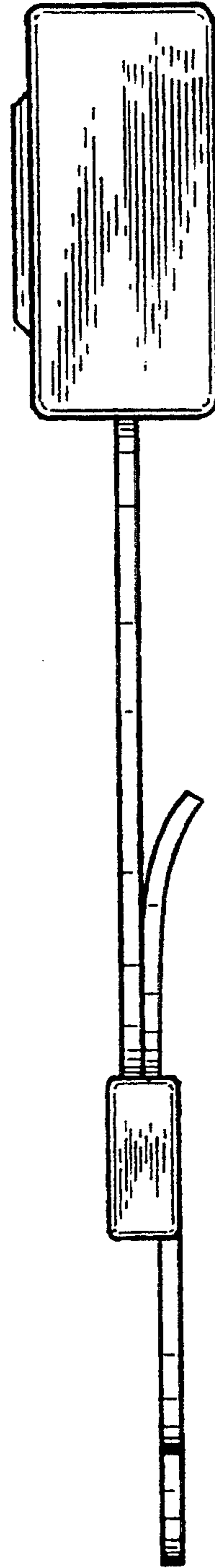


FIG. 7