



US00D352590S

# United States Patent [19]

[11] Patent Number: **Des. 352,590**

**Hodges**

[45] Date of Patent: **\*\* Nov. 15, 1994**

[54] **MOBILE PATIENT LIFTER**

[75] Inventor: **Philip G. Hodges**, Thebarton, Australia

[73] Assignee: **UC Medical Products Pty Ltd.**, Thebarton, Australia

[\*\*] Term: **14 Years**

[21] Appl. No.: **10,356**

[22] Filed: **Jul. 7, 1993**

[52] U.S. Cl. .... **D34/28**

[58] Field of Search ..... 414/785, 444, 469; 5/81.1, 83.1, 84.1, 87.1, 88.1, 89.1; D34/28, 33, 34, 35

3,275,296 9/1966 Meyer ..... 5/81.1  
 3,694,829 10/1972 Balcker ..... 5/81.1  
 3,940,808 3/1976 Petrini ..... 5/83.1  
 4,070,721 1/1978 Stasko ..... 5/89.1  
 4,680,819 7/1987 James ..... 5/83.1

*Primary Examiner*—Wallace R. Burke  
*Assistant Examiner*—Robin V. Taylor  
*Attorney, Agent, or Firm*—Keck, Mahin & Cate

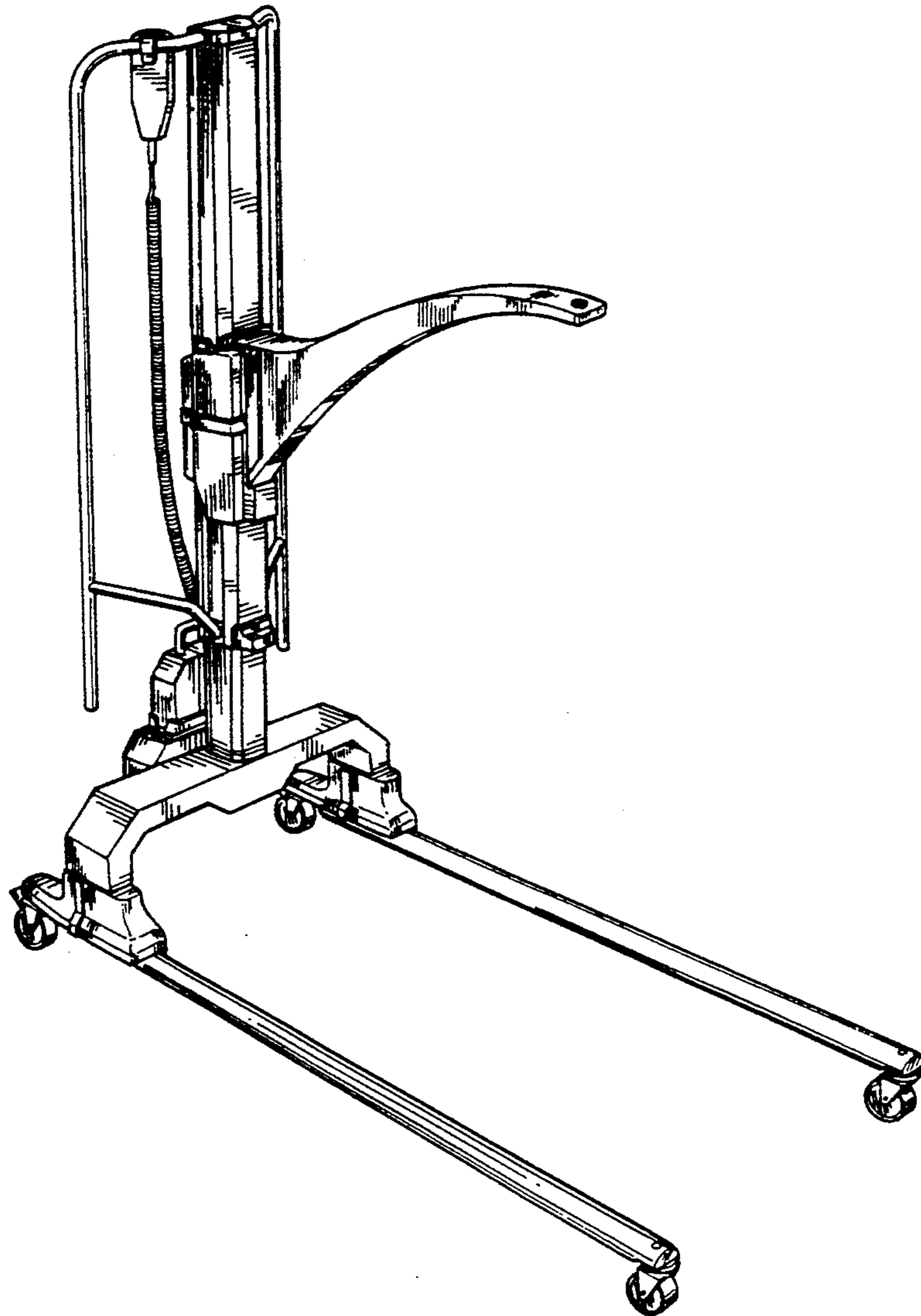
### [57] CLAIM

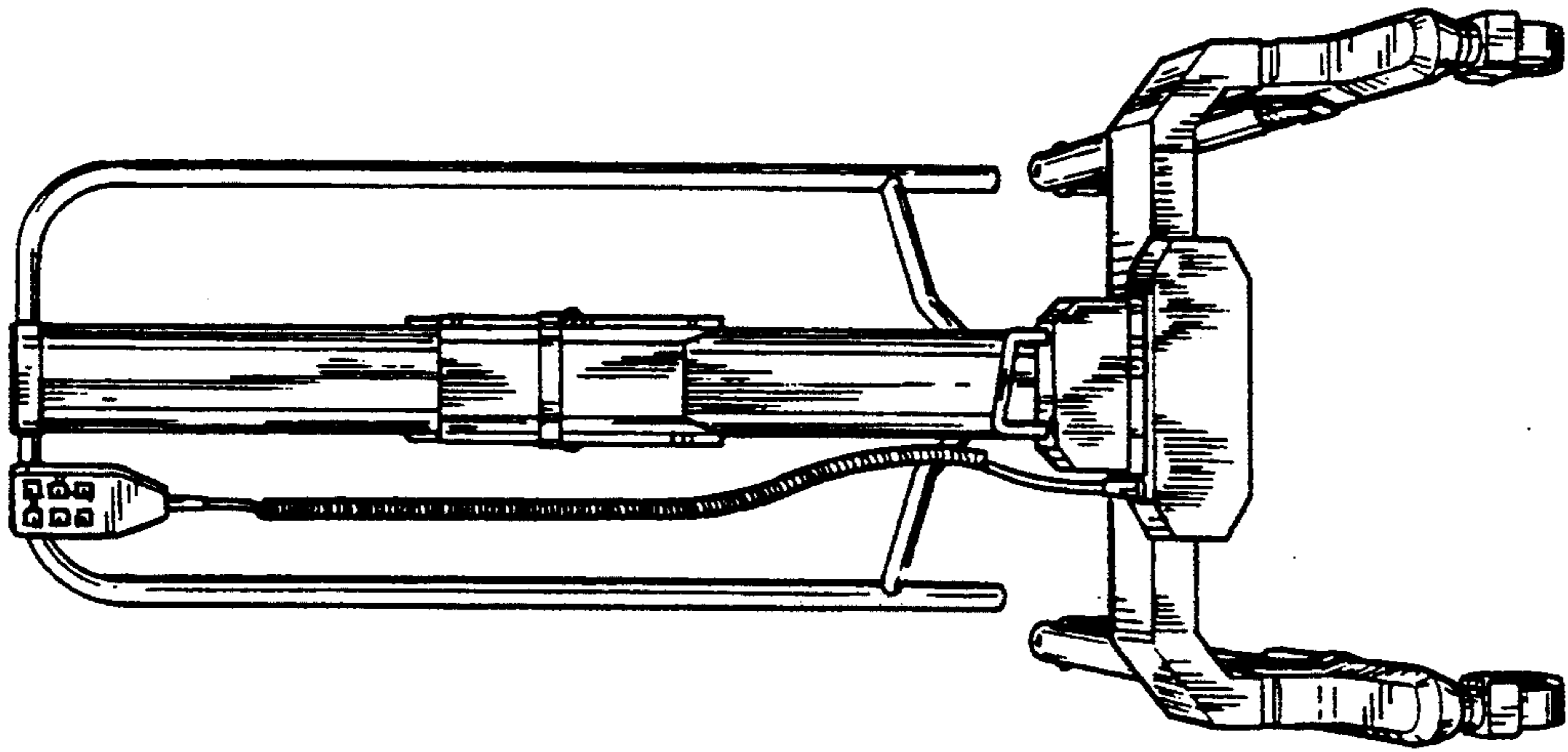
The ornamental design for a mobile patient lifter, as shown and described.

### DESCRIPTION

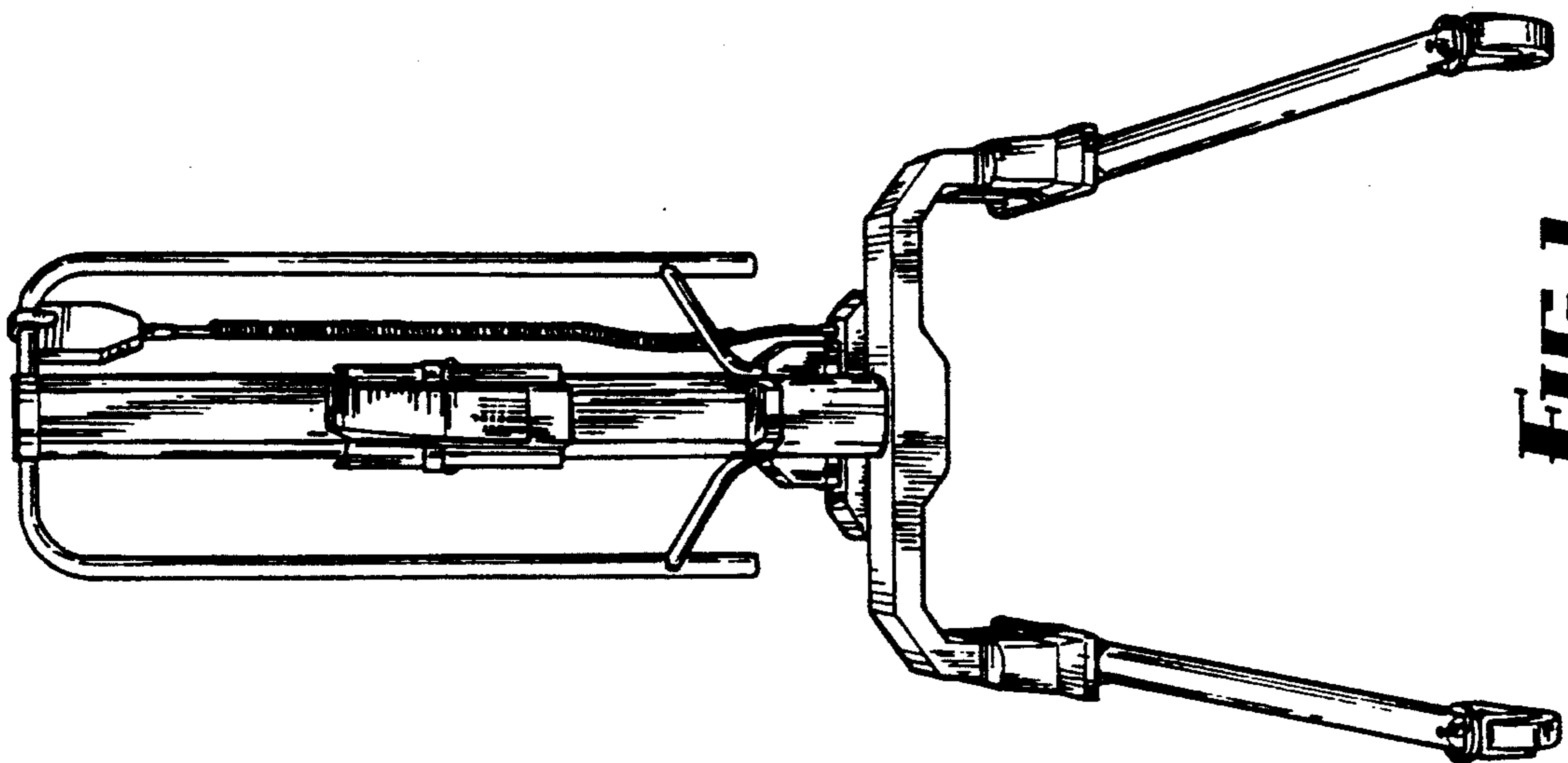
FIG. 1 is a front perspective view of the mobile patient lifter according to this invention;  
 FIG. 2 is a rear perspective view thereof;  
 FIG. 3 is a side perspective view thereof;  
 FIG. 4 is a rear and side perspective view thereof; and,  
 FIG. 5 is a front and side perspective view thereof.

[56] **References Cited**  
**U.S. PATENT DOCUMENTS**  
 D. 327,762 7/1992 Silbersky ..... D34/28

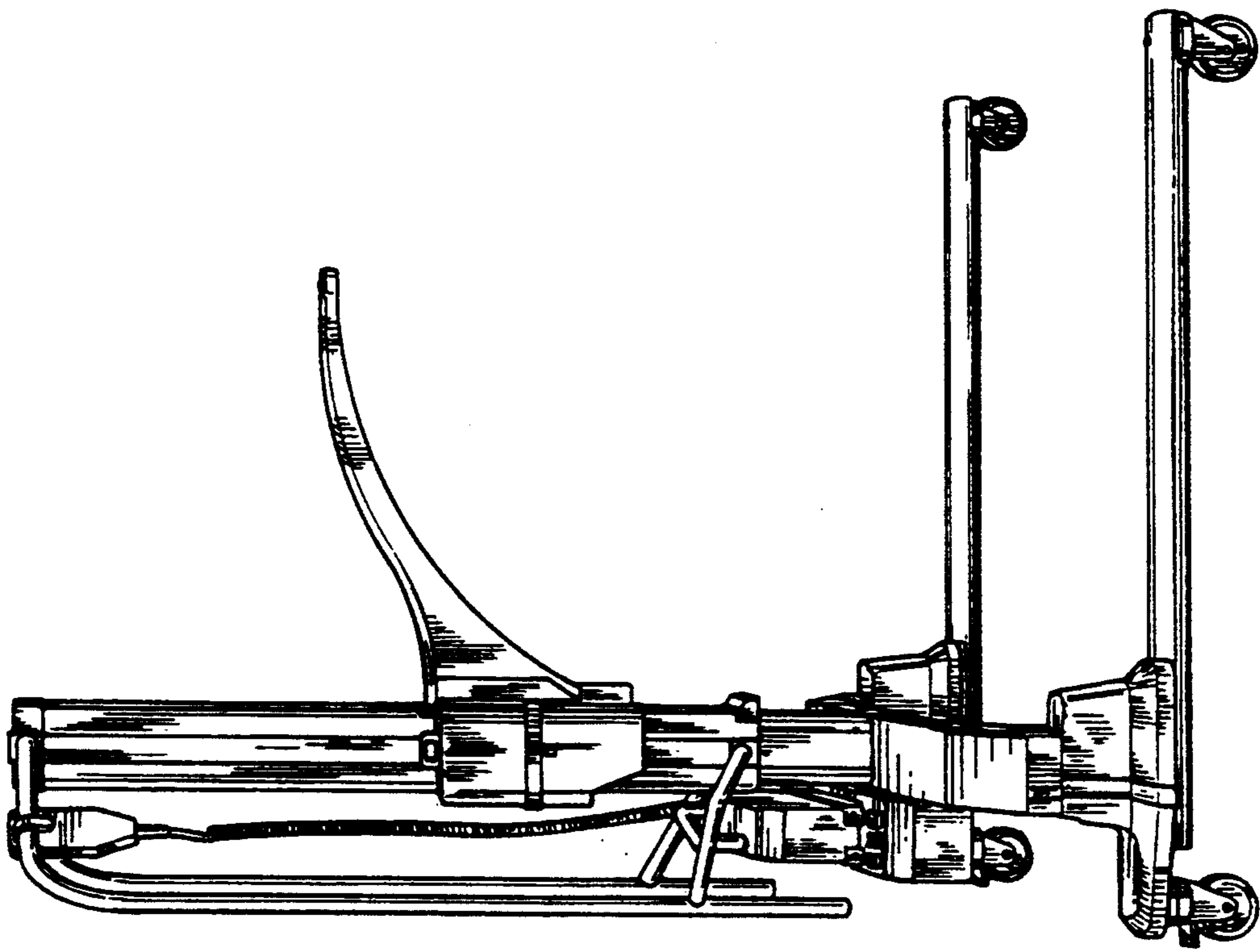




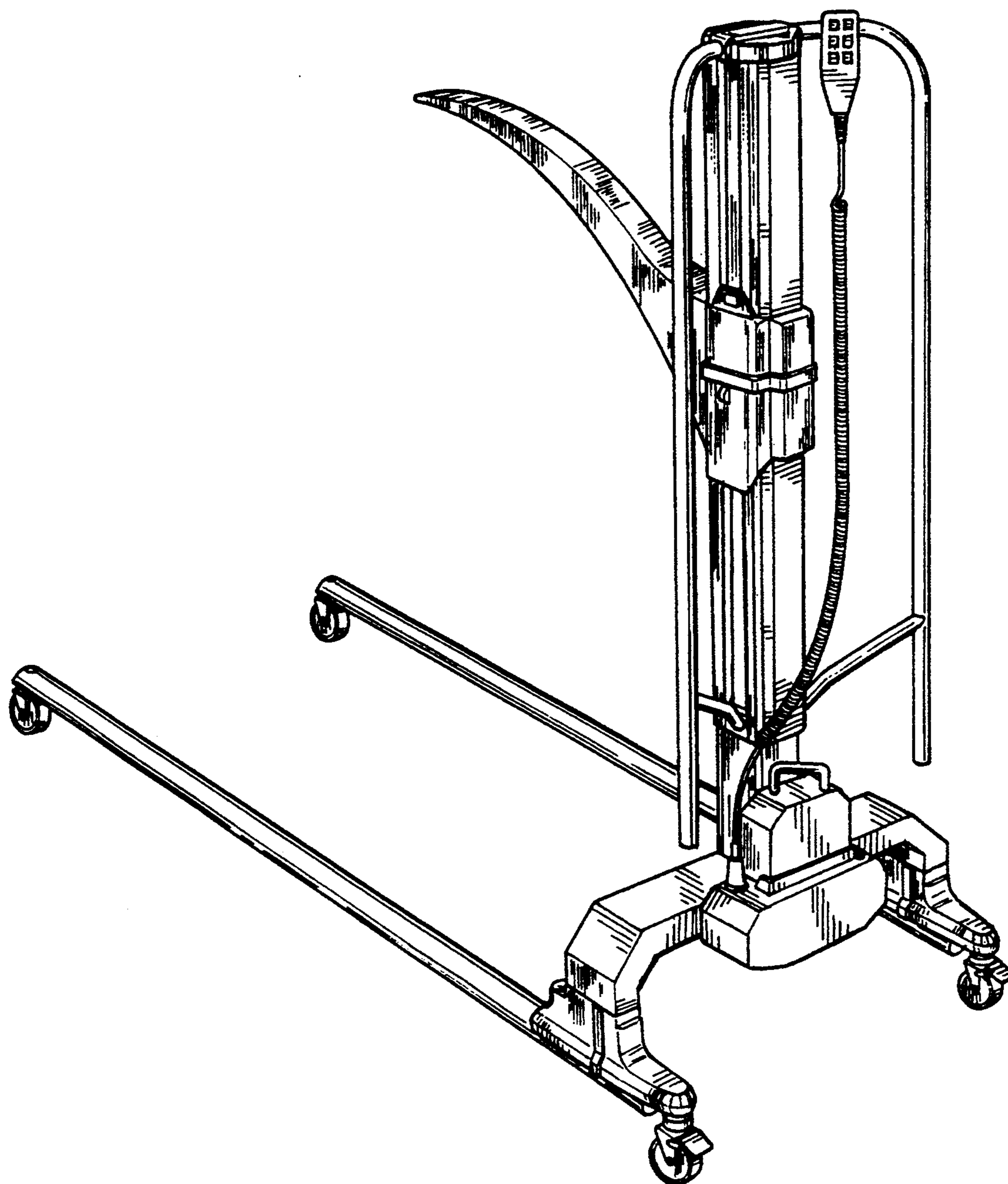
**FIG 2**



**FIG 1**

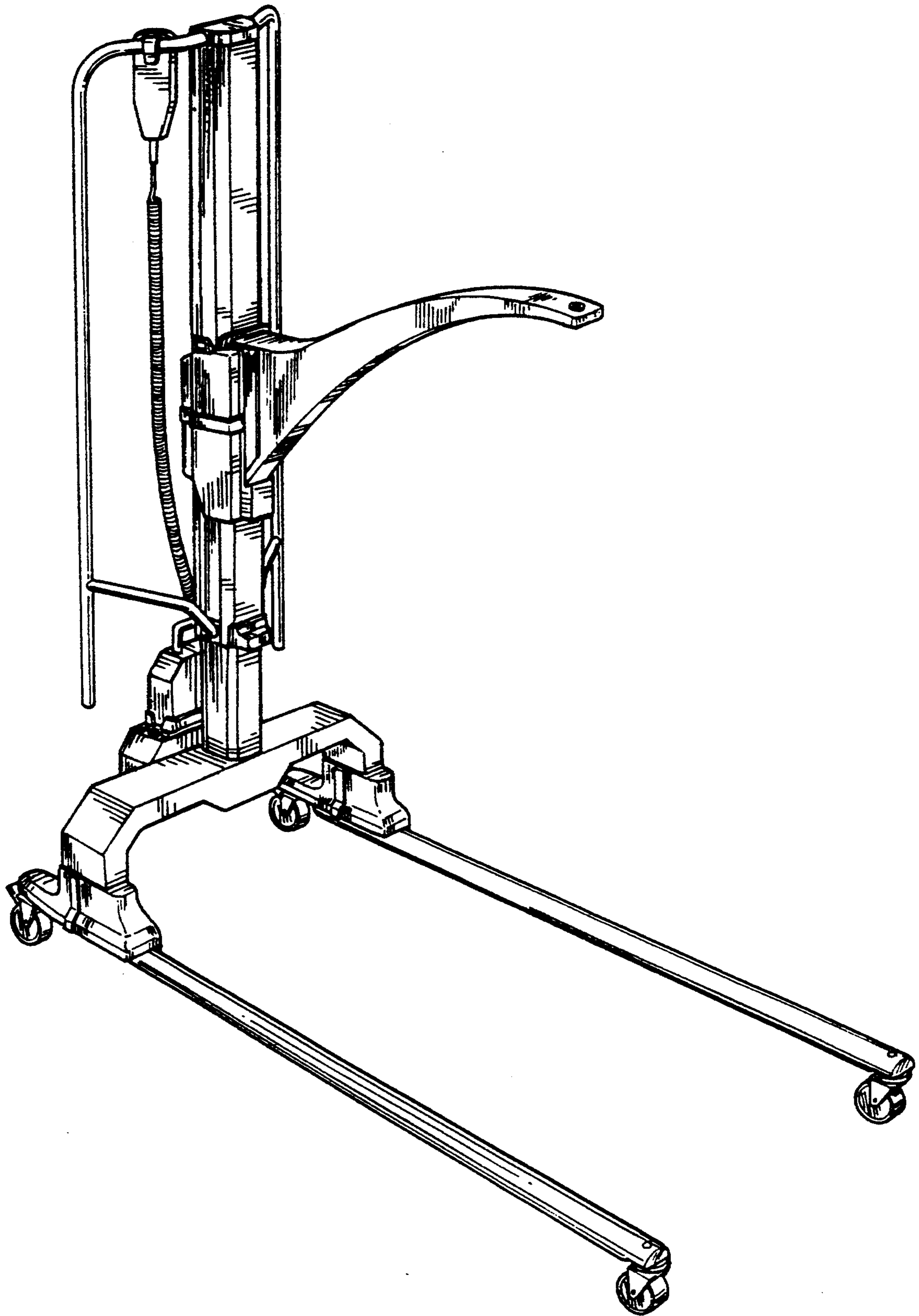


**FIG 3**



**FIG 4**





**FIG 5**