



US00D352589S

# United States Patent [19]

[11] Patent Number: **Des. 352,589**

**Kennedy**

[45] Date of Patent: **\*\* Nov. 15, 1994**

[54] **PORTABLE SHOPPING CART ATTACHMENT**

4,583,753	4/1986	Economy	280/33.992
5,086,960	2/1992	Schwietzer	224/277
5,263,578	11/1993	Narvey	280/33.992

[76] Inventor: **James F. Kennedy**, 2588 Malibu Cir., Orange Park, Fla. 32065-7591

*Primary Examiner*—Kay H. Chin  
*Attorney, Agent, or Firm*—Rhodes & Ascolillo

[\*\*] Term: **14 Years**

[57] **CLAIM**

[21] Appl. No.: **14,485**

The ornamental design for a portable shopping cart attachment, as shown.

[22] Filed: **Oct. 25, 1993**

### DESCRIPTION

[52] U.S. Cl. .... **D34/27; D19/88**

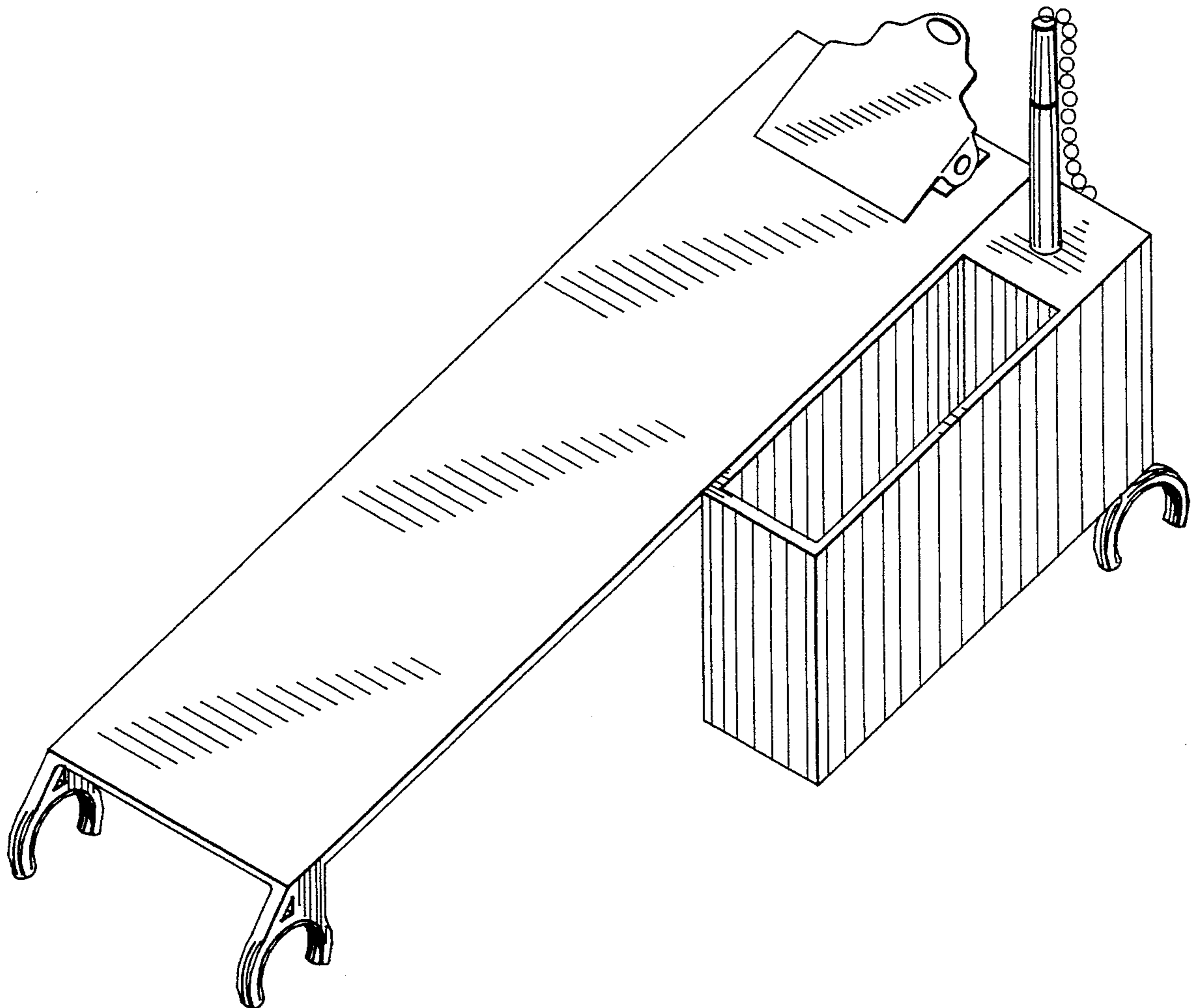
[58] Field of Search ..... 280/33.992, 33.991, 280/33.993; 224/277, 42.41, 42.42, 42.43, 273, 227; D34/21, 27, 17, 19; D19/75, 77, 84, 88

FIG. 1 is a perspective view of a portable shopping cart attachment showing my new design therefor; FIG. 2 is a rear elevational view; FIG. 3 is a right side elevational view; FIG. 4 is a front elevational view; FIG. 5 is a left side elevational view; FIG. 6 is a top plan view; and, FIG. 7 is a bottom plan view.

### [56] References Cited

#### U.S. PATENT DOCUMENTS

4,274,567 6/1981 Sawyer ..... 224/42.43



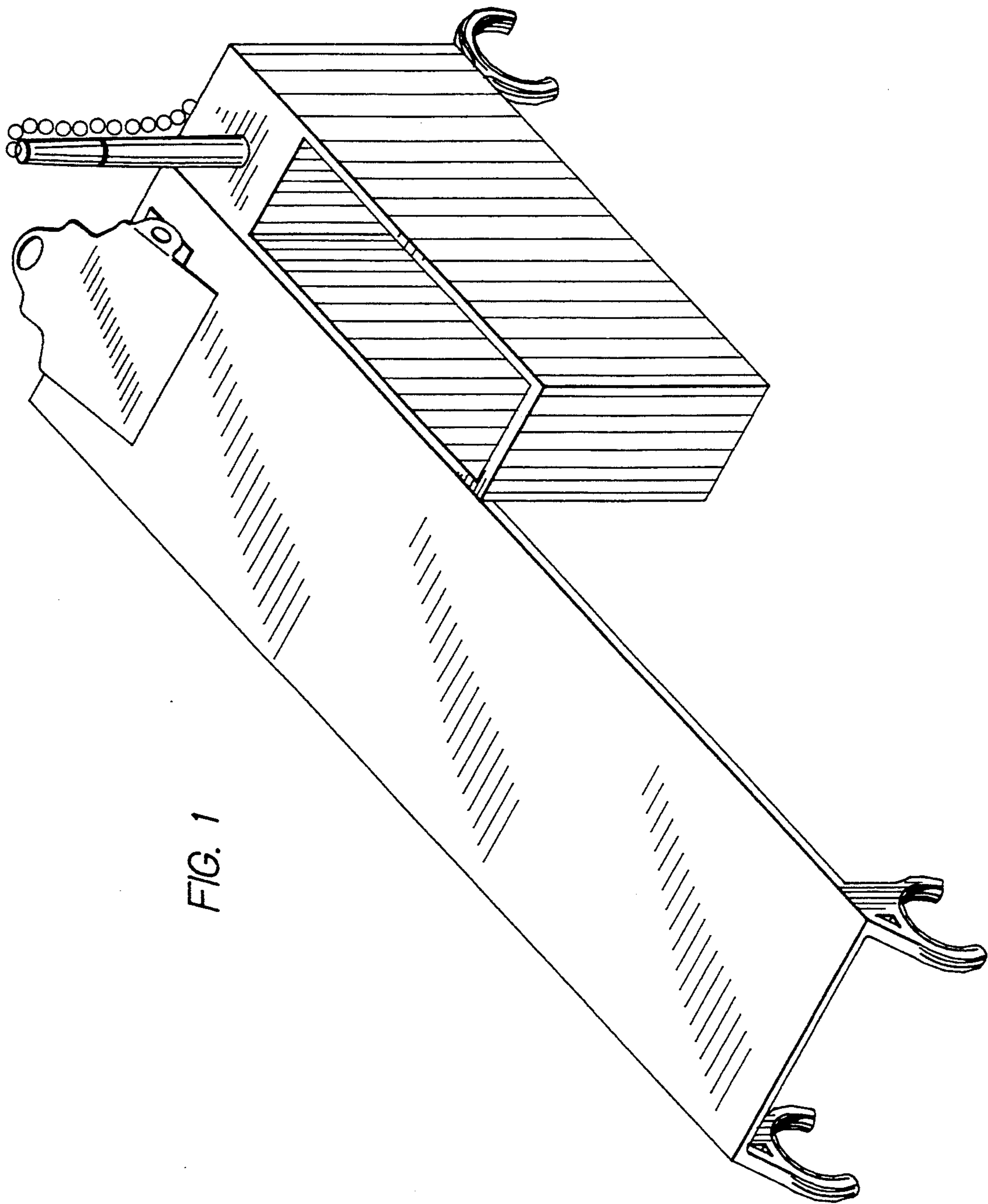


FIG. 1

FIG. 3

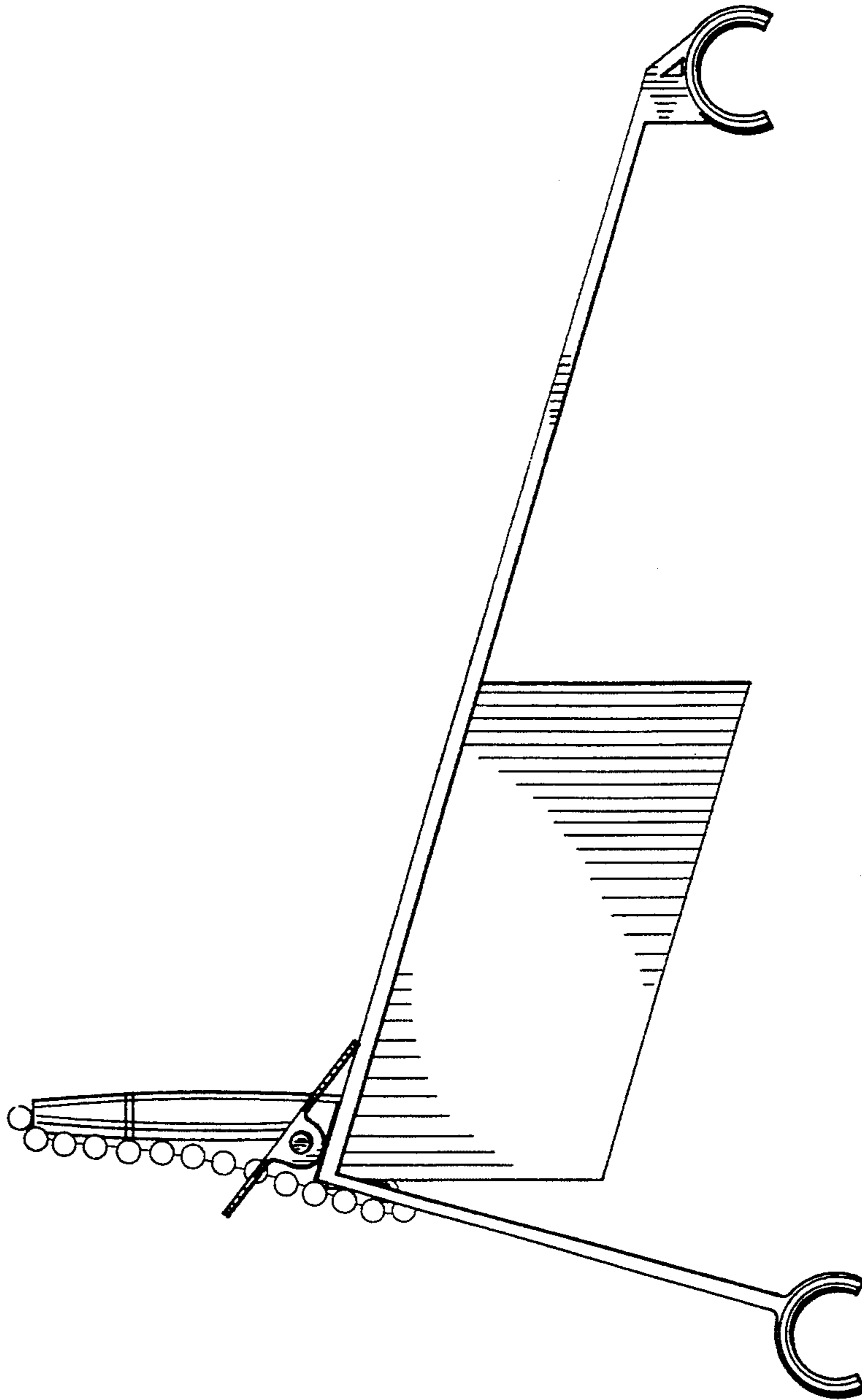
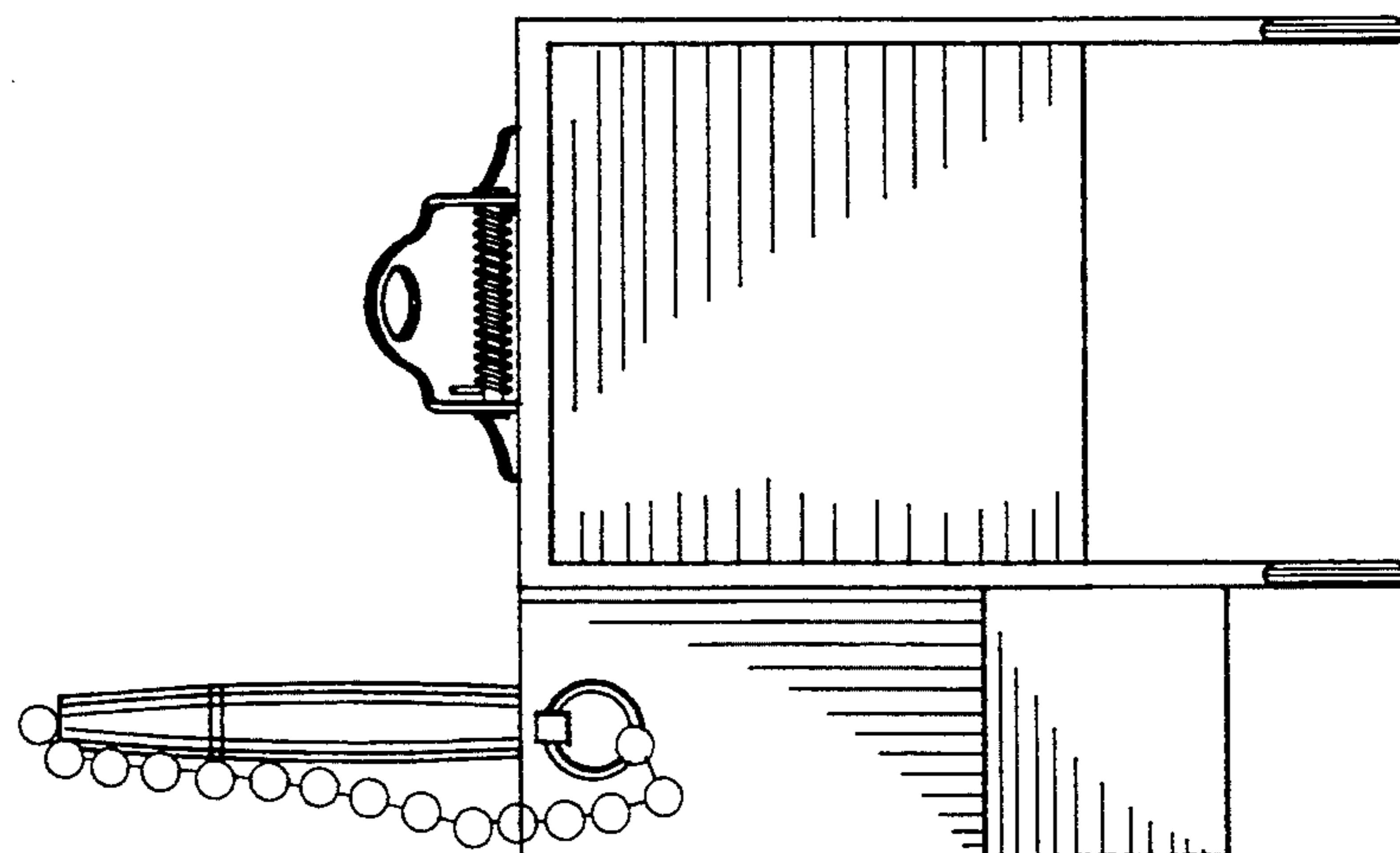


FIG. 2



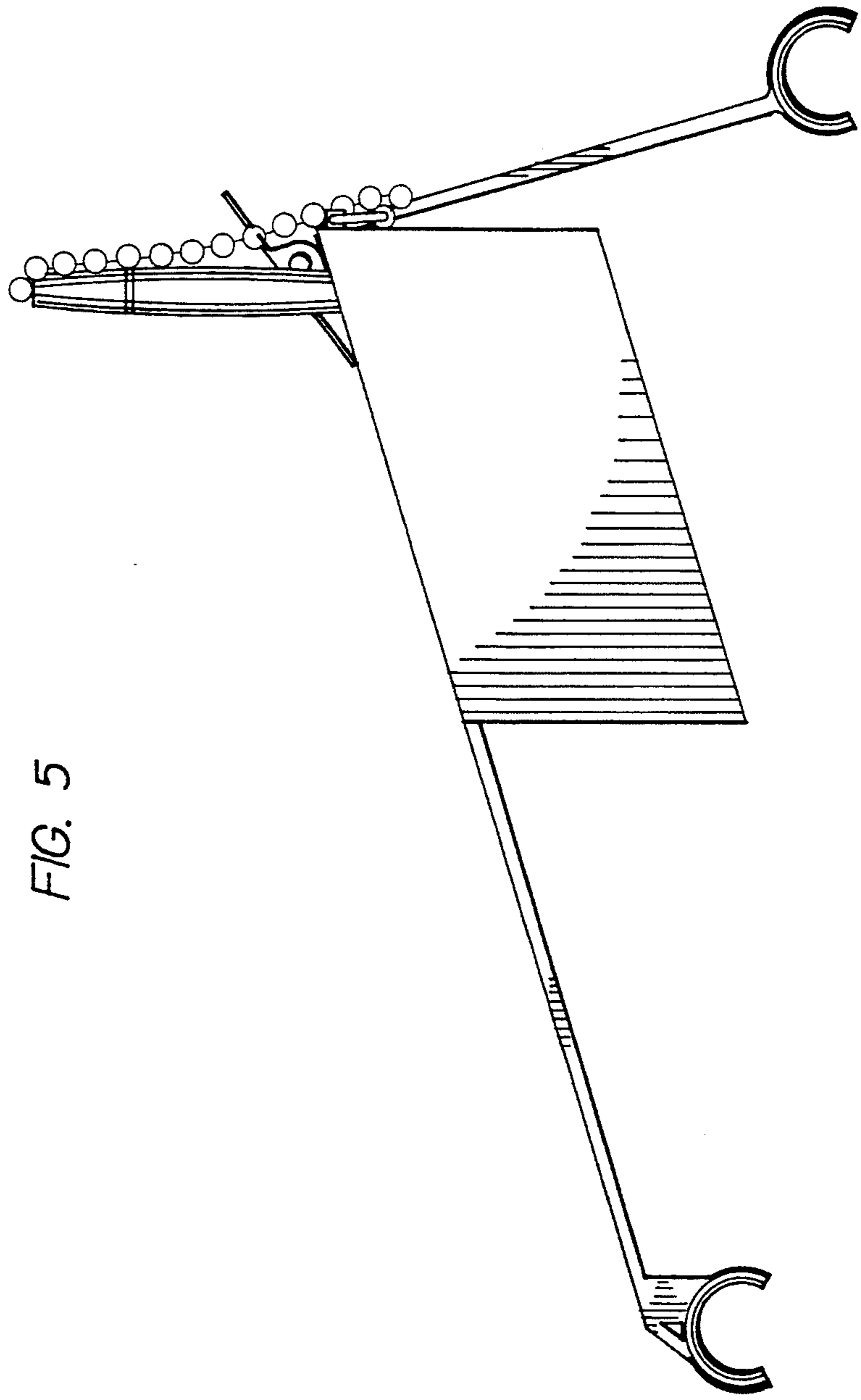


FIG. 5

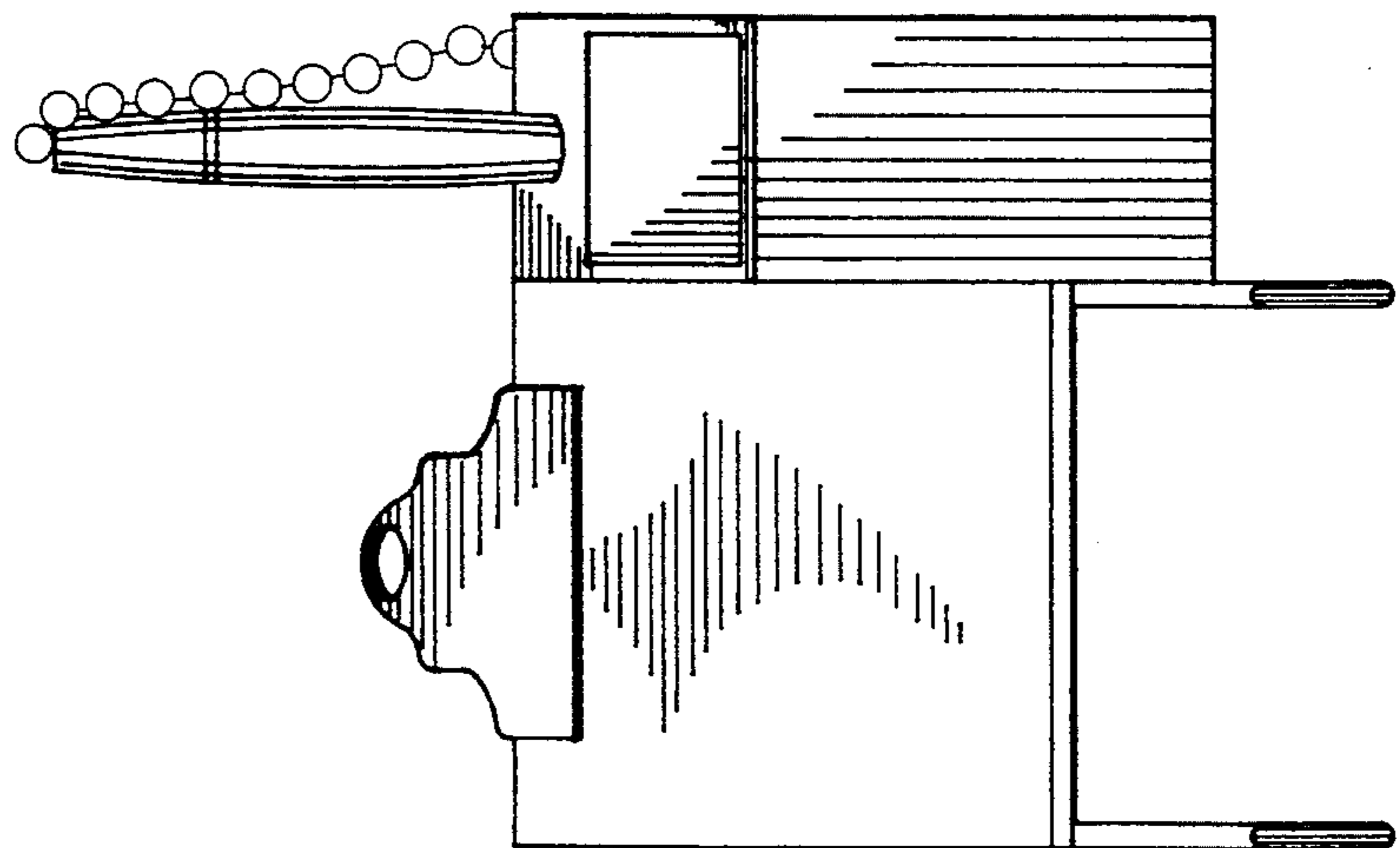


FIG. 4

FIG. 6

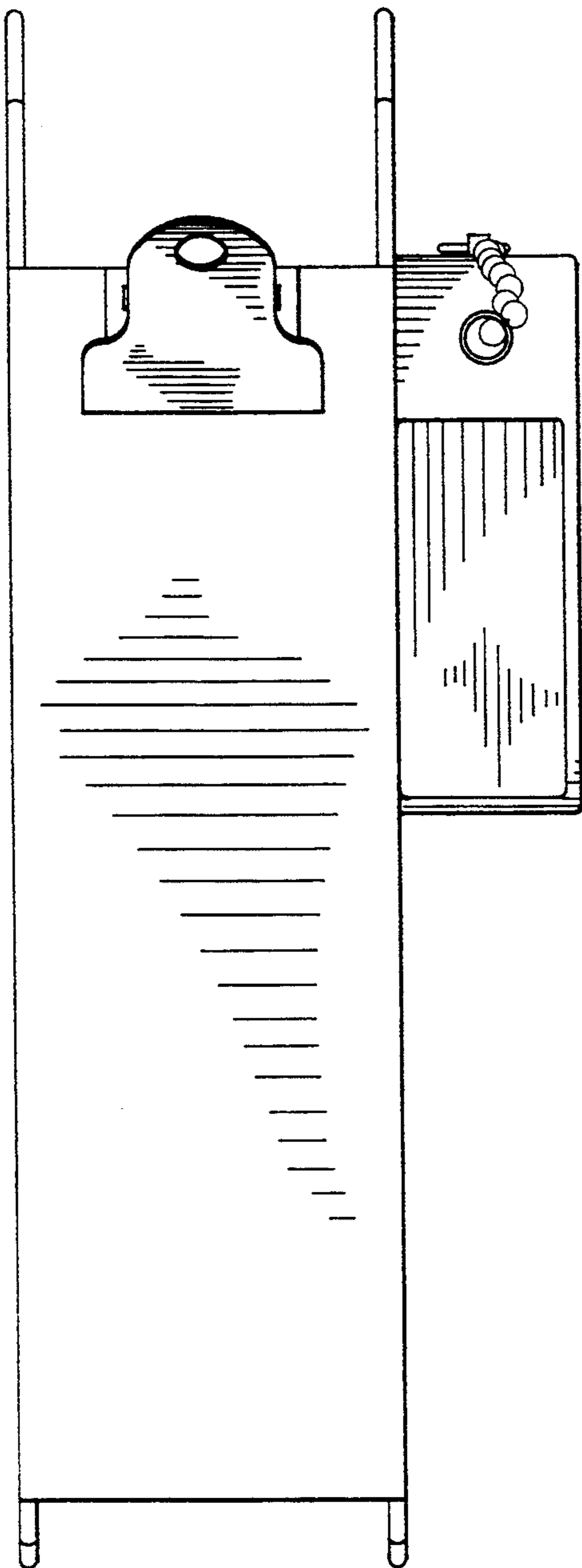


FIG. 7

