



US00D352582S

# United States Patent [19]

[11] Patent Number: **Des. 352,582**

**Hachenberg**

[45] Date of Patent: **\*\* Nov. 15, 1994**

[54] **GARBAGE OR WASTE BAG DISPOSAL**

5,020,751 6/1991 Larkin ..... 248/99

[76] Inventor: **Bernhard Hachenberg**, 10 Ayrshire Avenue, Benowa, Queensland, 4217, Australia

*Primary Examiner*—Kay H. Chin  
*Attorney, Agent, or Firm*—Kimmel, Crowell & Weaver

[\*\*] Term: **14 Years**

[57] **CLAIM**

[21] Appl. No.: **940,809**

The ornamental design for a garbage or waste bag holder, as shown and described.

[22] Filed: **Sep. 8, 1992**

**DESCRIPTION**

[30] **Foreign Application Priority Data**

Mar. 12, 1992 [AU] Australia ..... 623/92

[52] U.S. Cl. .... **D34/6; D34/10**

[58] Field of Search ..... 248/95, 97, 99, 100, 248/101; D34/1, 5, 6, 10

FIG. 1 is an exploded front perspective view of a garbage or waste bag holder showing my new design, the broken lines are for illustrative purposes only and form no part of the claimed design;

FIG. 2 is a front perspective view thereof;

FIG. 3 is a top plan view thereof with lid and mounting bracket removed;

FIG. 4 is a top plan view thereof;

FIG. 5 is a left side elevational view thereof, the right side elevational view being a mirror image of that shown; and

FIG. 6 is a front elevational view thereof.

[56] **References Cited**

**U.S. PATENT DOCUMENTS**

D. 334,449 3/1993 Gaba et al. .... D34/6  
4,955,566 9/1990 Bolich ..... 248/101

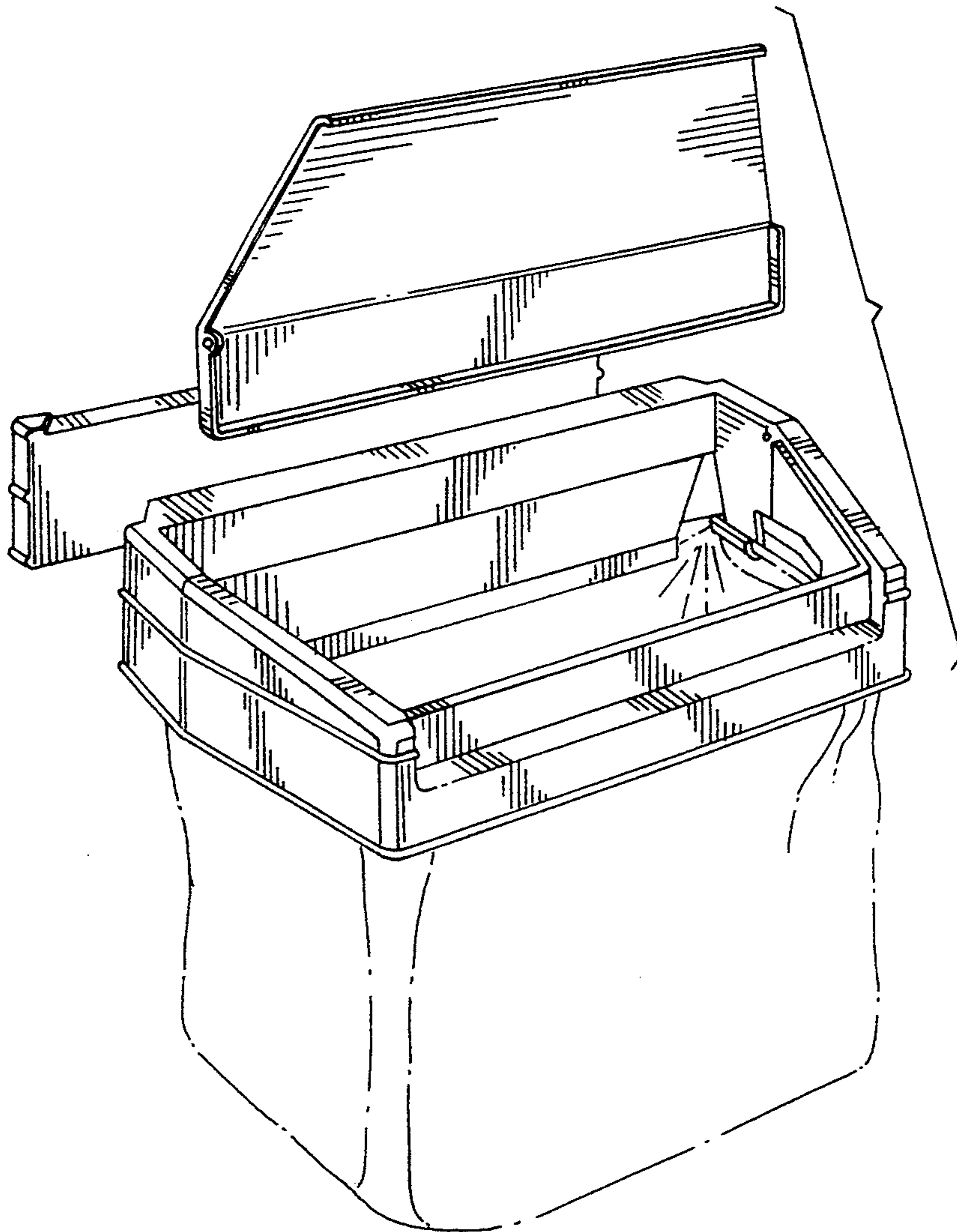


FIG. 1

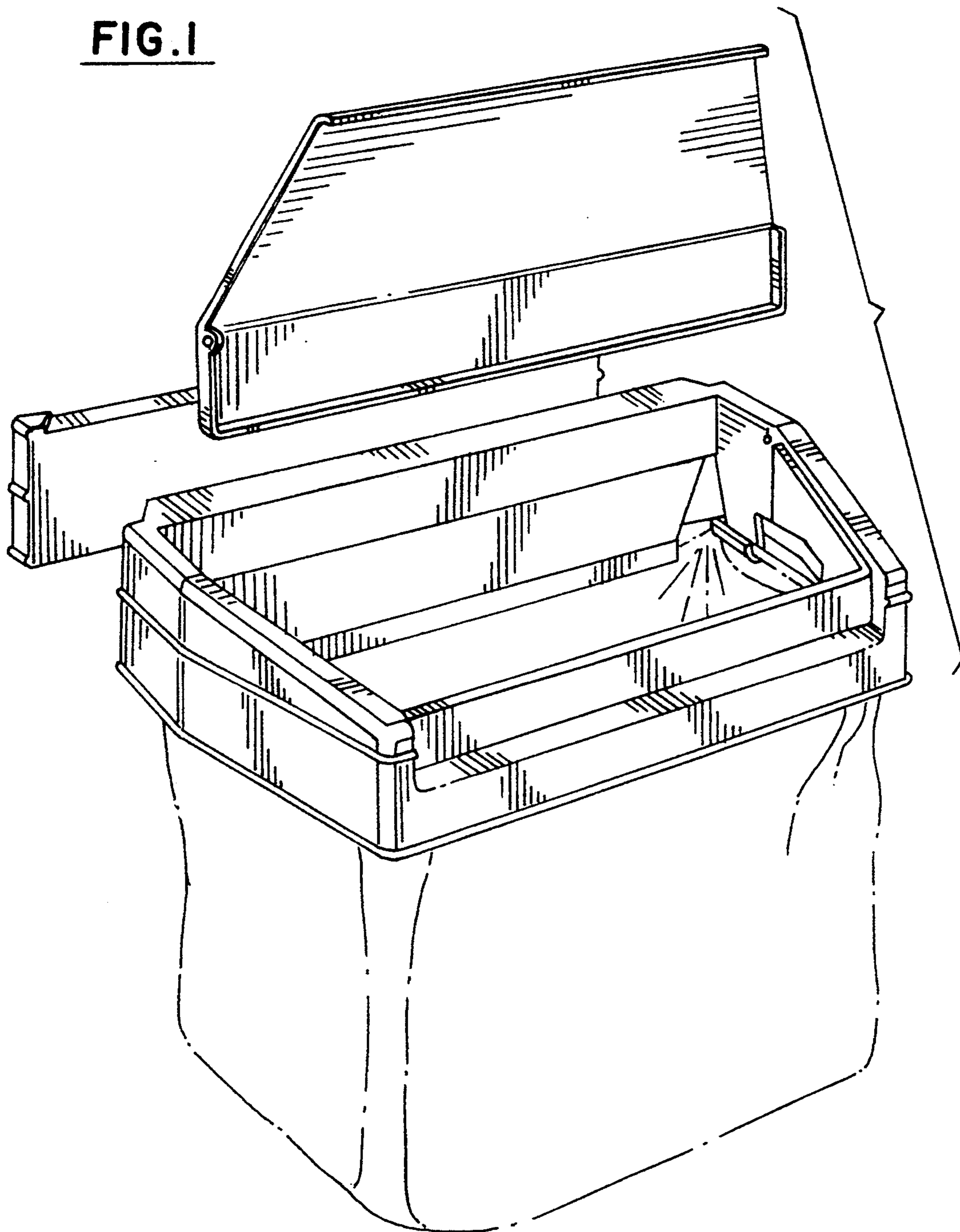


FIG. 2

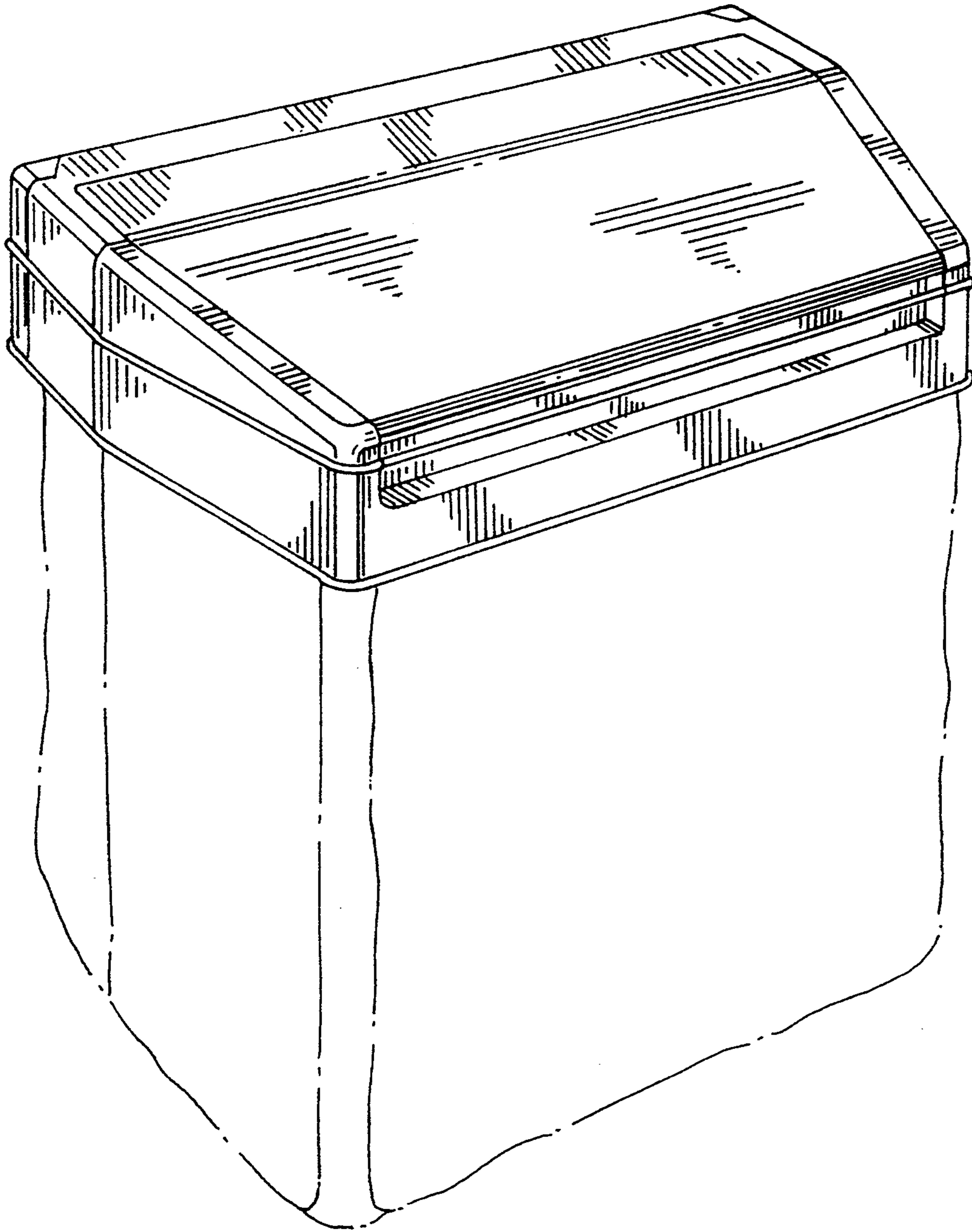


FIG. 3

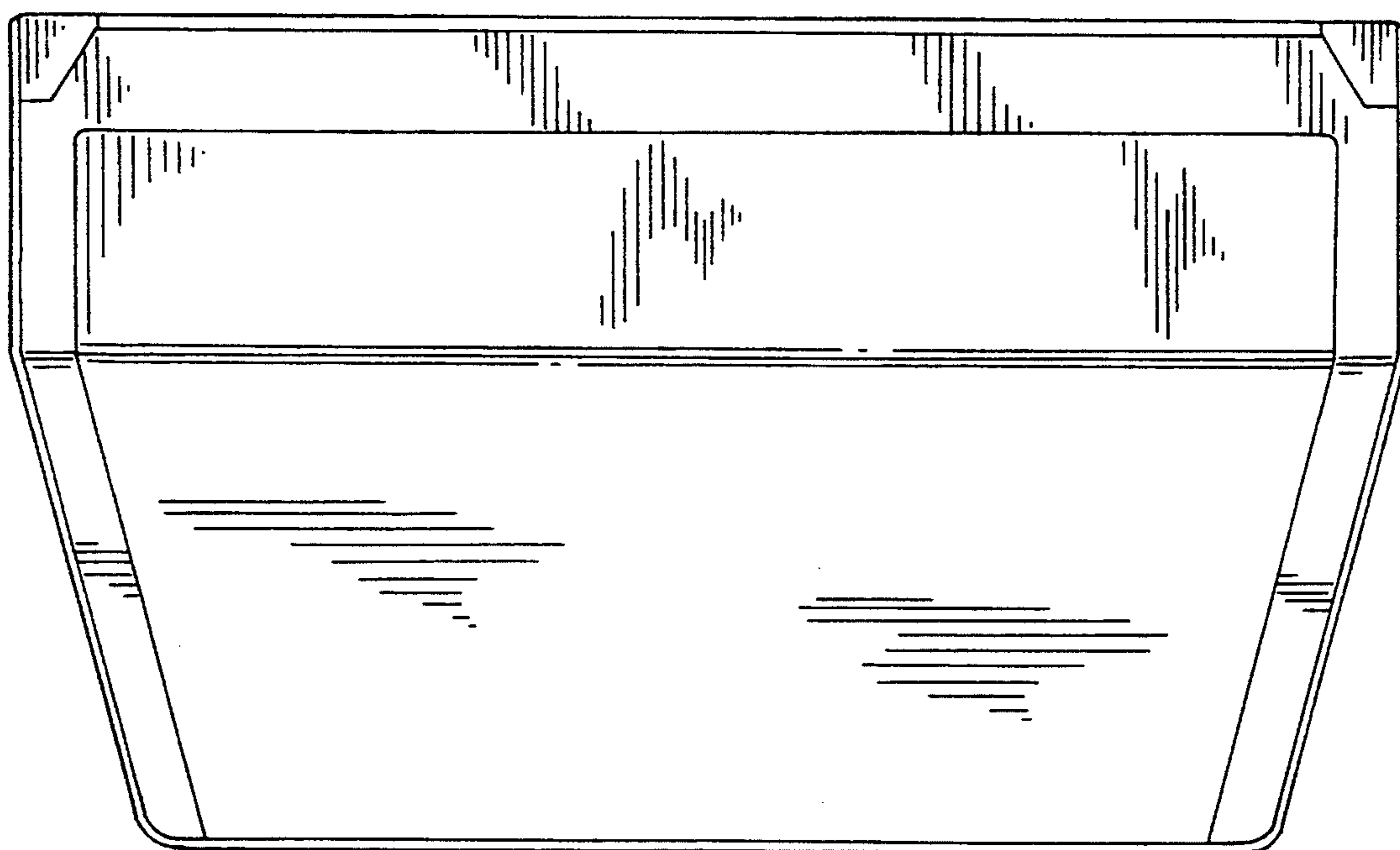
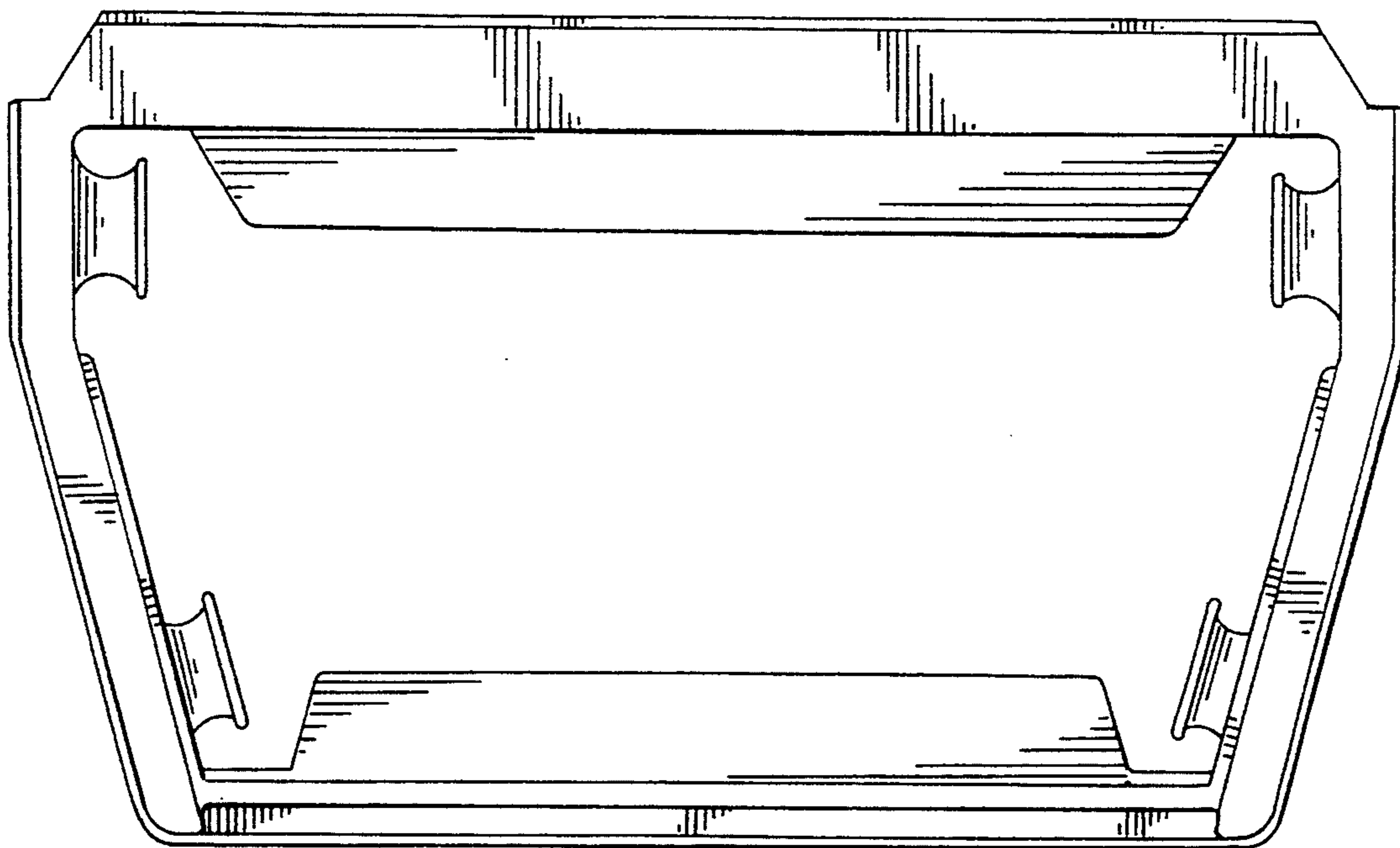


FIG. 4

FIG. 5

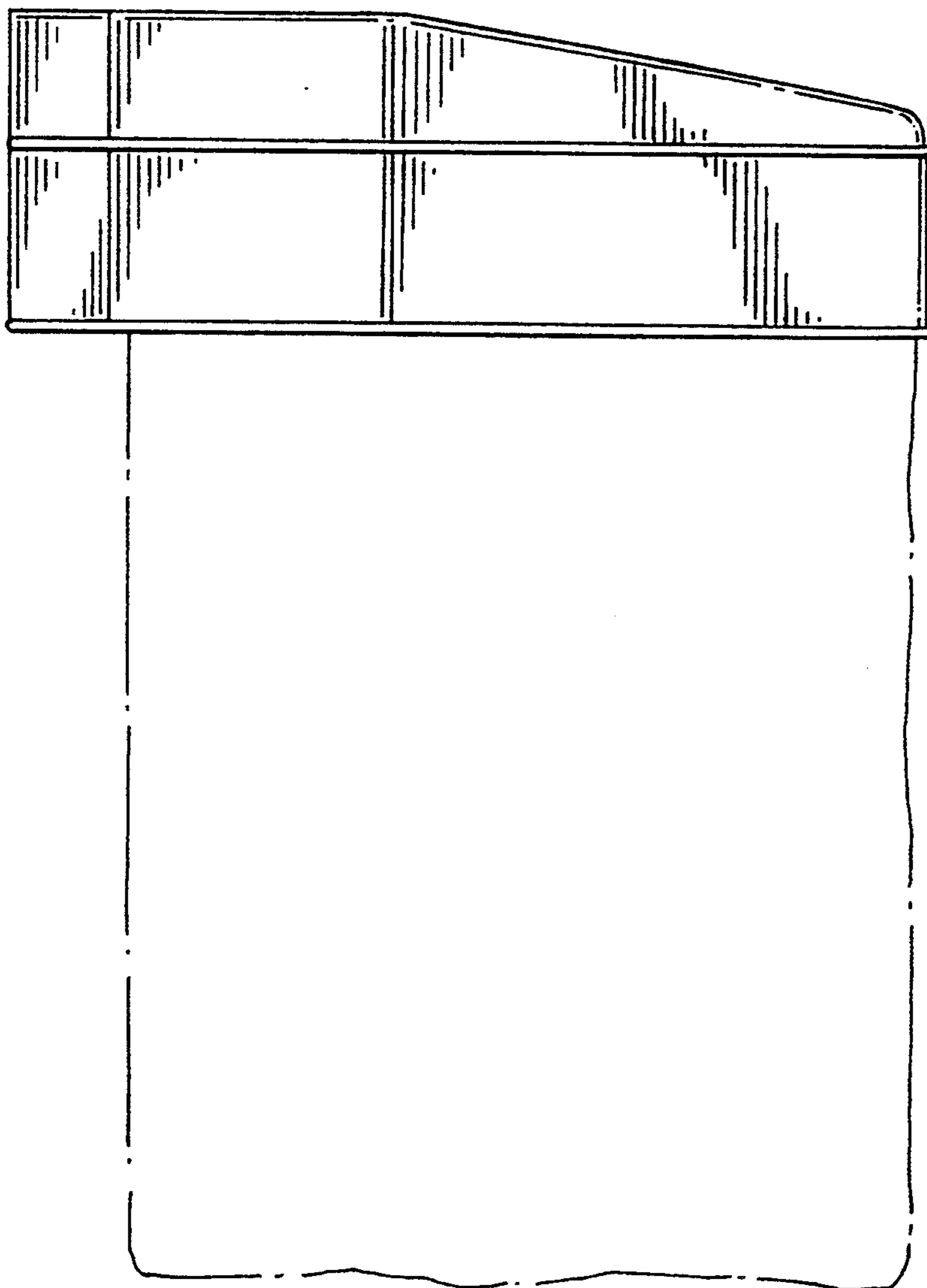


FIG. 6

