



US00D352580S

United States Patent [19]

[11] Patent Number: **Des. 352,580**

Cook

[45] Date of Patent: **** Nov. 15, 1994**

[54] DOUBLE-BARREL COMPOSTER

OTHER PUBLICATIONS

[76] Inventor: **James A. Cook**, 350 Valli-Hi Rd., Eagle, Id. 83616

Dozier Equipment Catalog-1985 p. 54-Model H-16-5-Industrial Catalog Box in Group 2900.

[**] Term: **14 Years**

Primary Examiner—Wallace R. Burke
Assistant Examiner—Robin V. Taylor
Attorney, Agent, or Firm—Frank J. Dykas; Craig M. Korfanta

[21] Appl. No.: **3,975**

[57] CLAIM

The ornamental design for a double-barrel composter, as shown and described.

[22] Filed: **Jan. 22, 1993**

DESCRIPTION

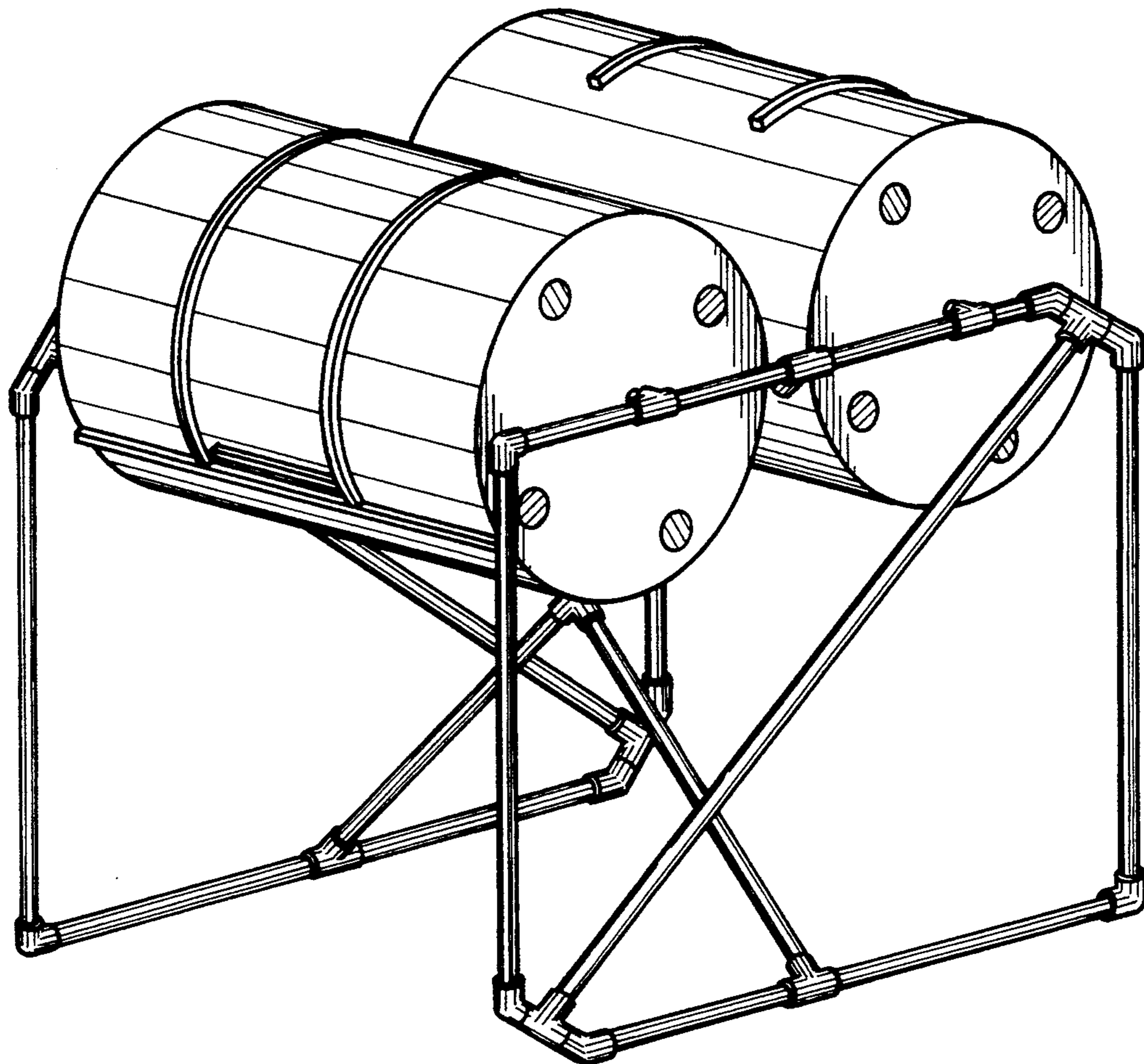
[52] U.S. Cl. **D34/1**
[58] Field of Search 220/675, 908, 909, 910, 220/911, DIG. 12, DIG. 14, 500, 553, 555, 23.2, 23.4; 232/1 E, 1 B, 43.2; D34/1, 5, 6, 7, 10, 11

FIG. 1 is an isometric view of my double-barrel composter design;
FIG. 2 is a side view of my double-barrel composter design, the other side view being a mirror image thereof;
FIG. 3 is a front view of my double-barrel composter design, the back view being a mirror image thereof;
FIG. 4 is a top view of my double-barrel composter design; and,
FIG. 5 is a bottom view of my double-barrel composter design.

[56] References Cited

U.S. PATENT DOCUMENTS

D. 340,559 10/1993 Taylor D34/1
2,702,641 2/1955 Arthur 220/23.4



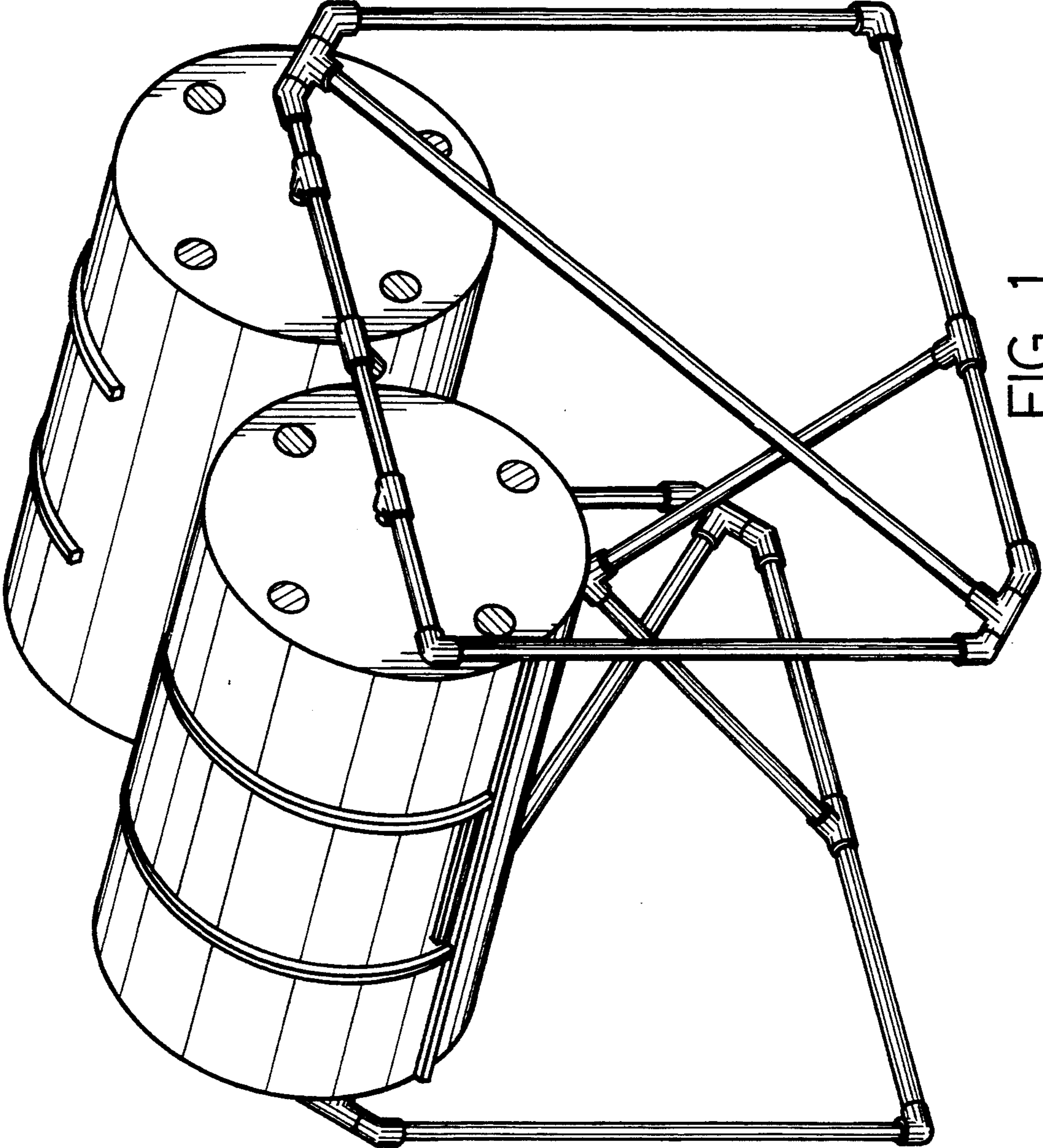


FIG. 1

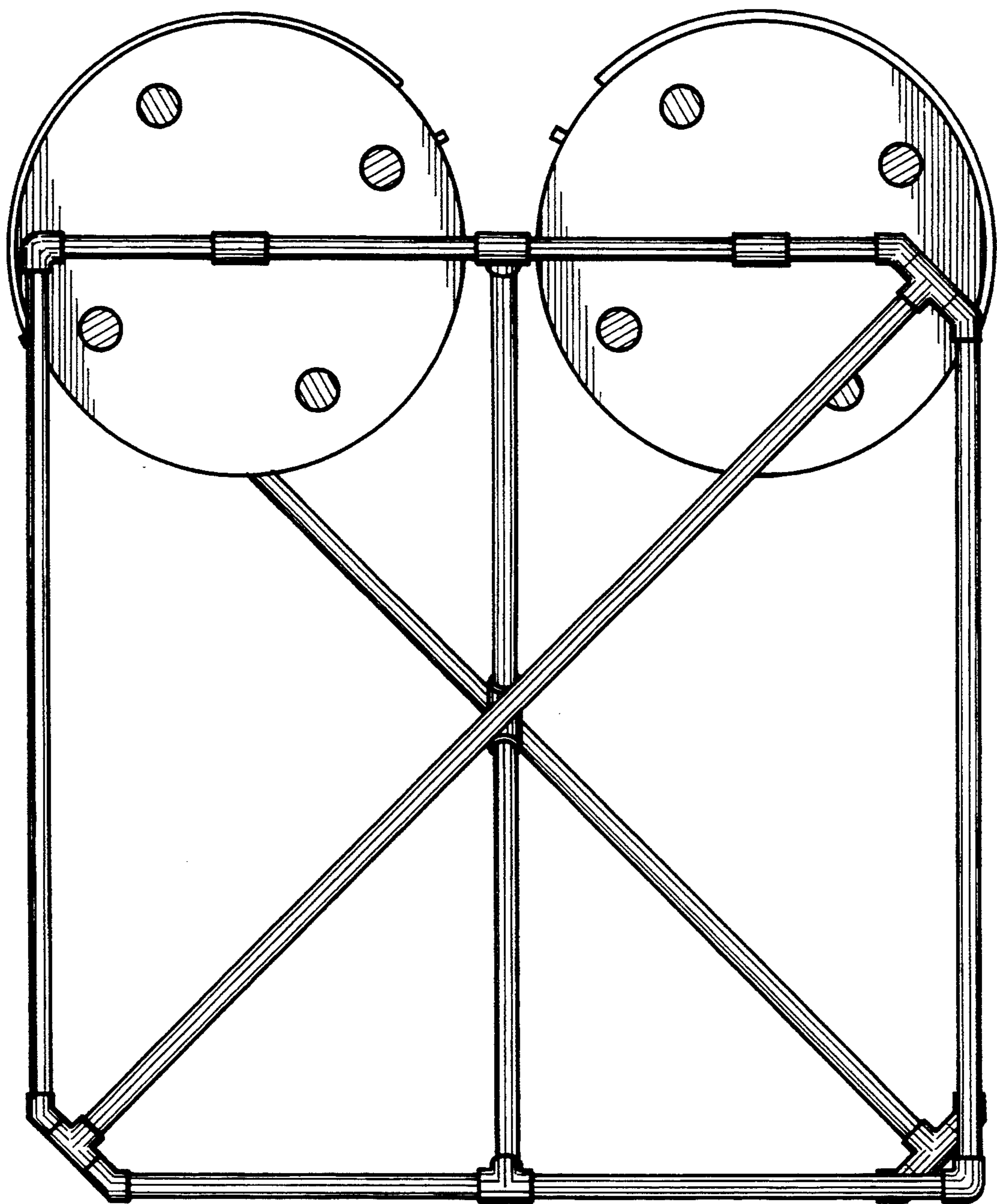


FIG. 2

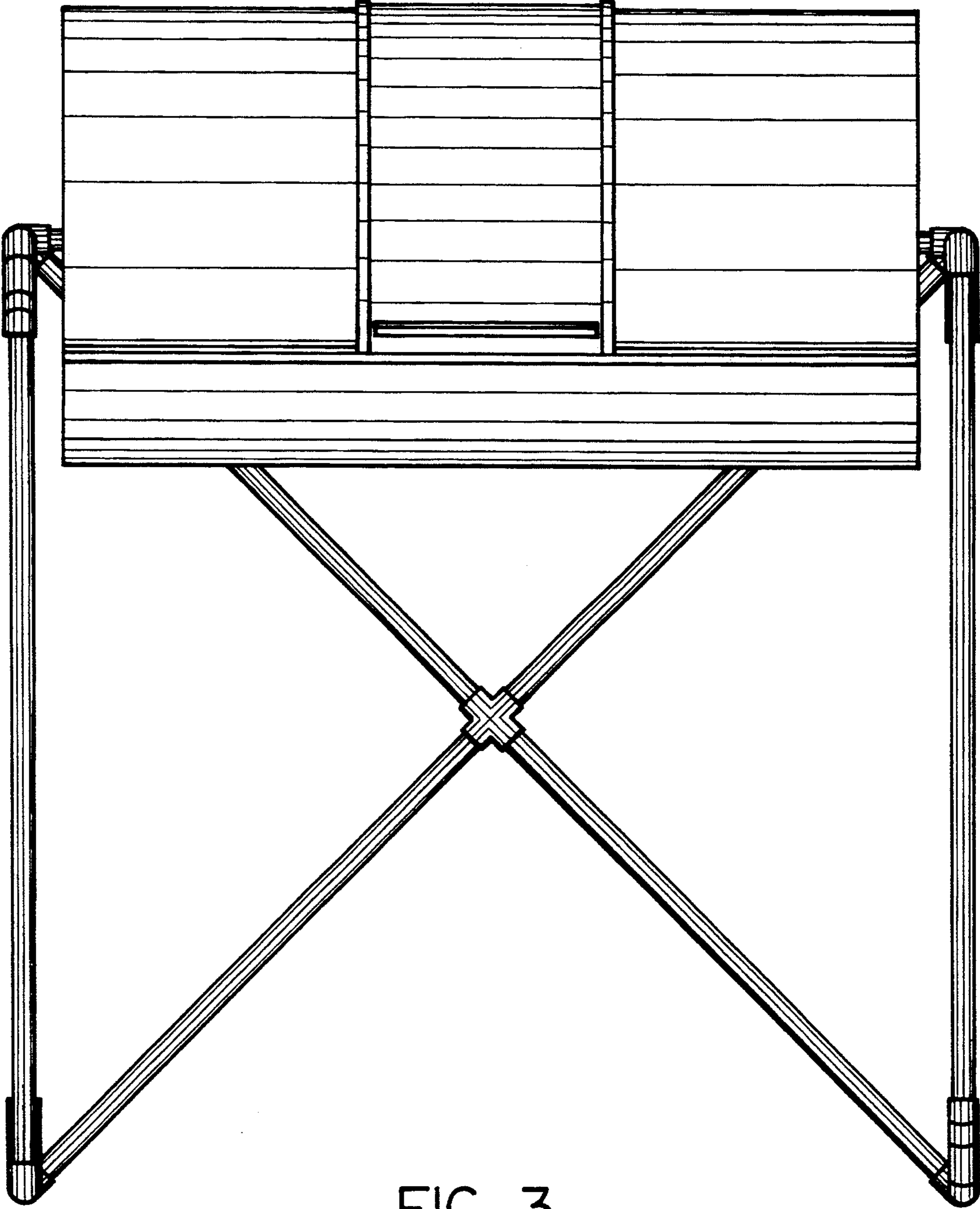


FIG. 3

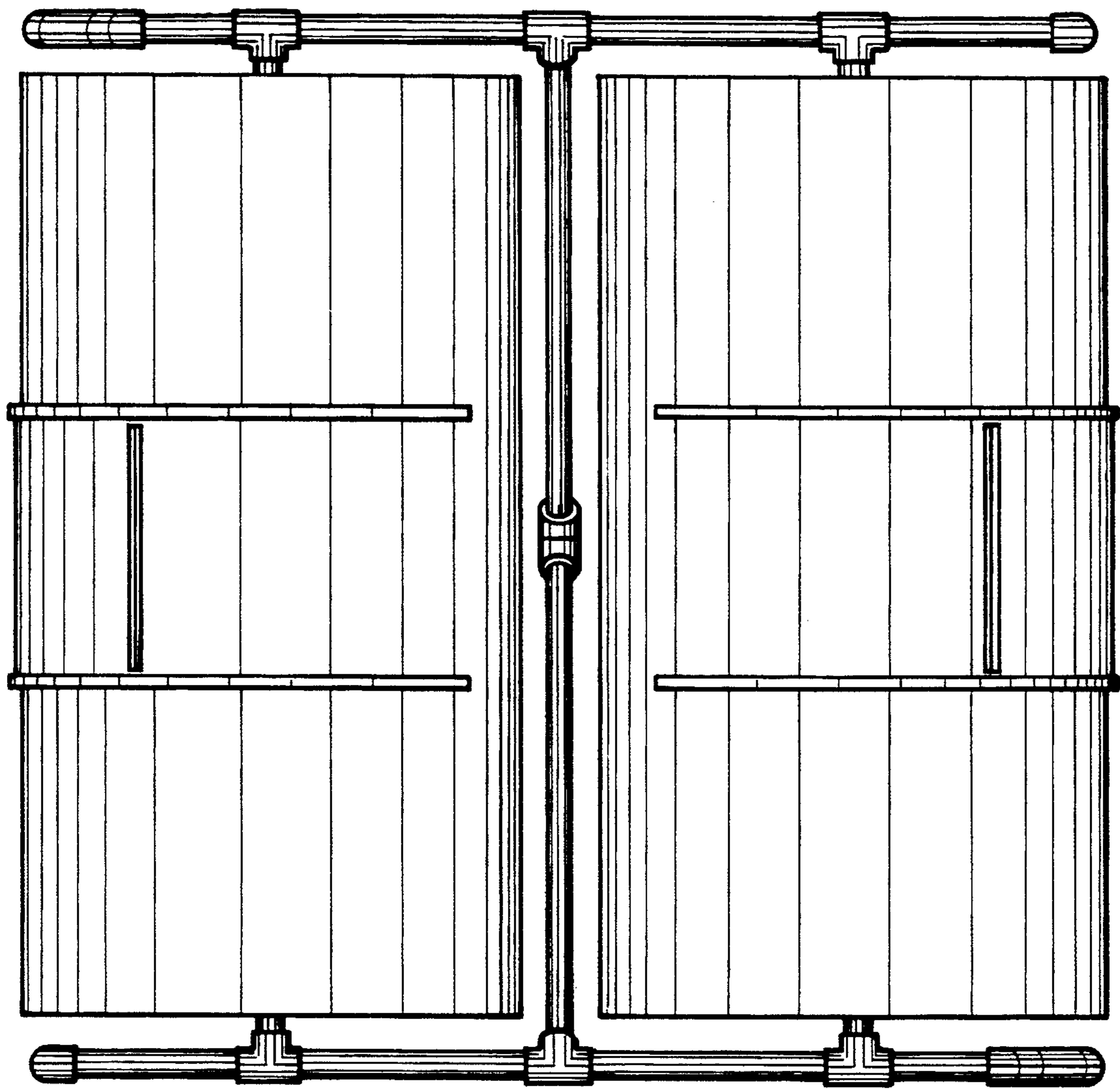


FIG. 4

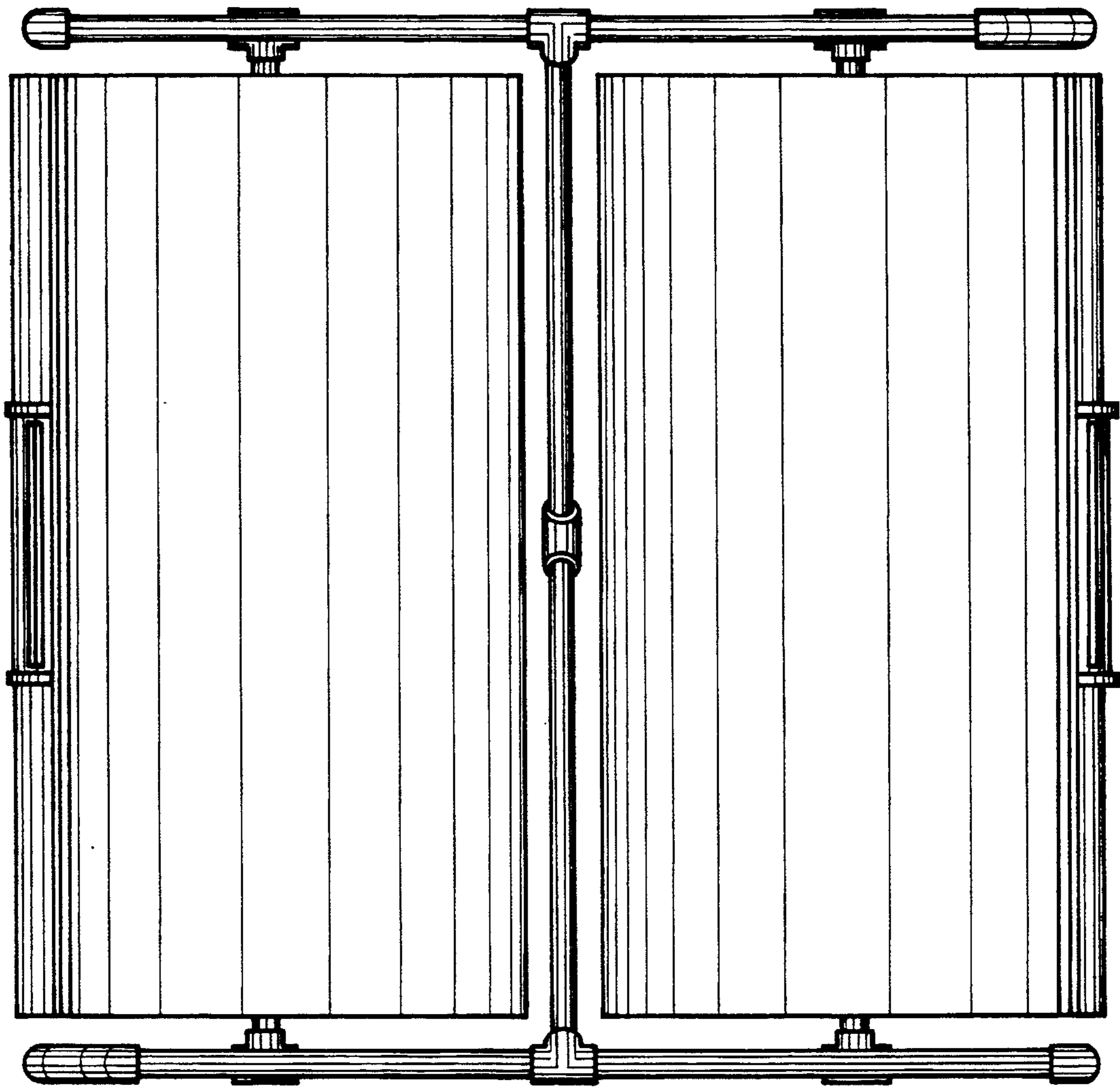


FIG. 5