



US00D352579S

United States Patent [19]

[11] Patent Number: **Des. 352,579**

Baker et al.

[45] Date of Patent: **** Nov. 15, 1994**

[54] **COMBINED BLOWER AND VACUUM**

[75] Inventors: **Michael Baker, Chandler; Harold Coleman, Phoenix, both of Ariz.**

[73] Assignee: **Ryobi Outdoor Products, Chandler, Ariz.**

[**] Term: **14 Years**

[21] Appl. No.: **896,542**

[22] Filed: **Jun. 10, 1992**

[52] U.S. Cl. **D32/15**

[58] Field of Search 15/316.1-318.1, 15/344, 405, 415.1; 239/DIG. 13, DIG. 19, DIG. 21, DIG. 22, 589, 597, 598, 599; D32/15, 17, 21, 25, 32, 213

[56] **References Cited**

U.S. PATENT DOCUMENTS

263,547 3/1982 Carsello D32/18
271,715 12/1983 Kiyooka D32/15

279,319 6/1985 McCloskey et al. D32/15
D. 297,870 9/1988 Kiyooka et al. D32/15
D. 299,074 12/1988 Tuggle et al. D32/15
D. 299,571 1/1989 Kiyooka et al. D32/15
D. 304,510 11/1989 Baker et al. D32/15
D. 323,724 2/1992 Gierke et al. D32/15

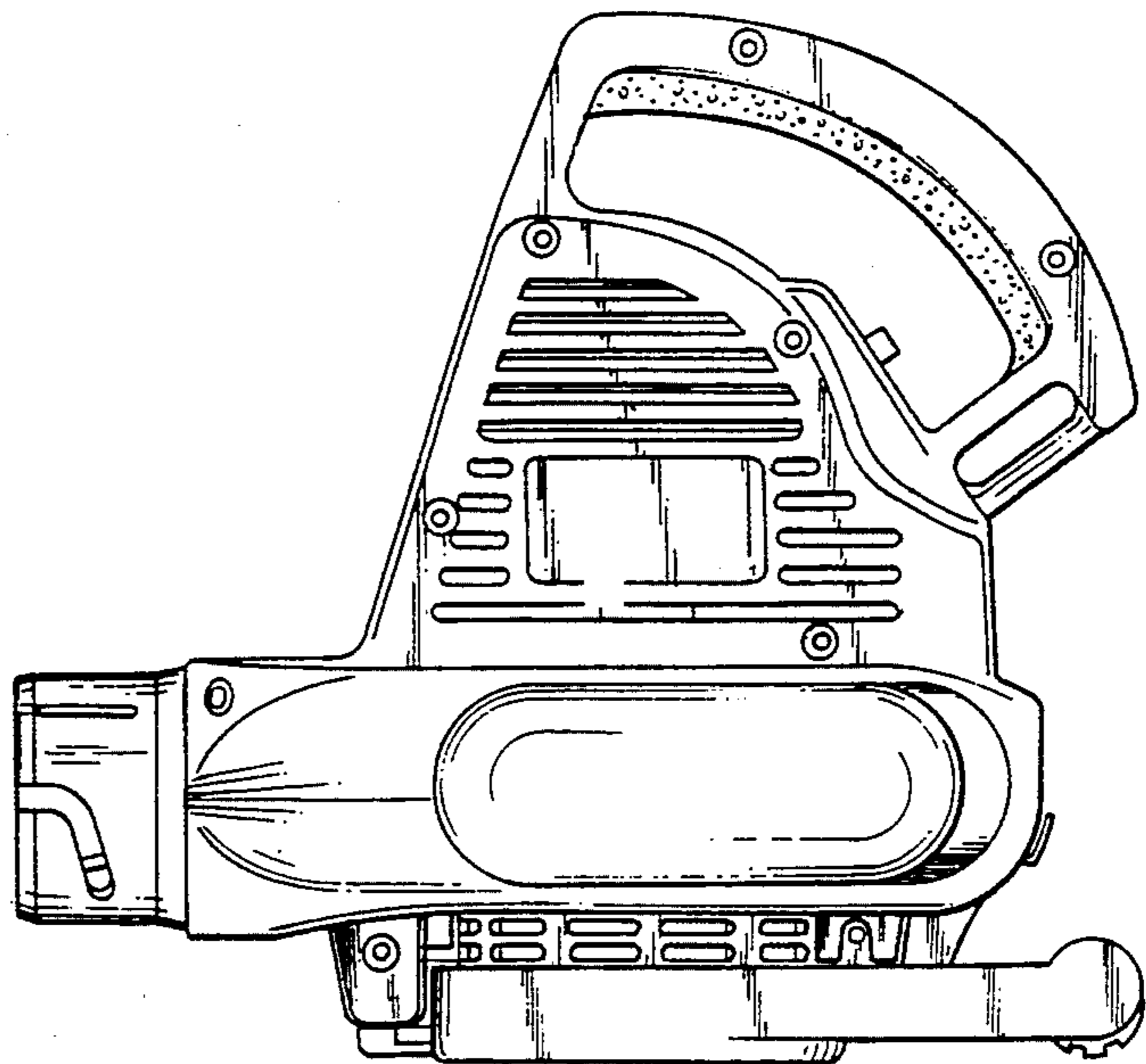
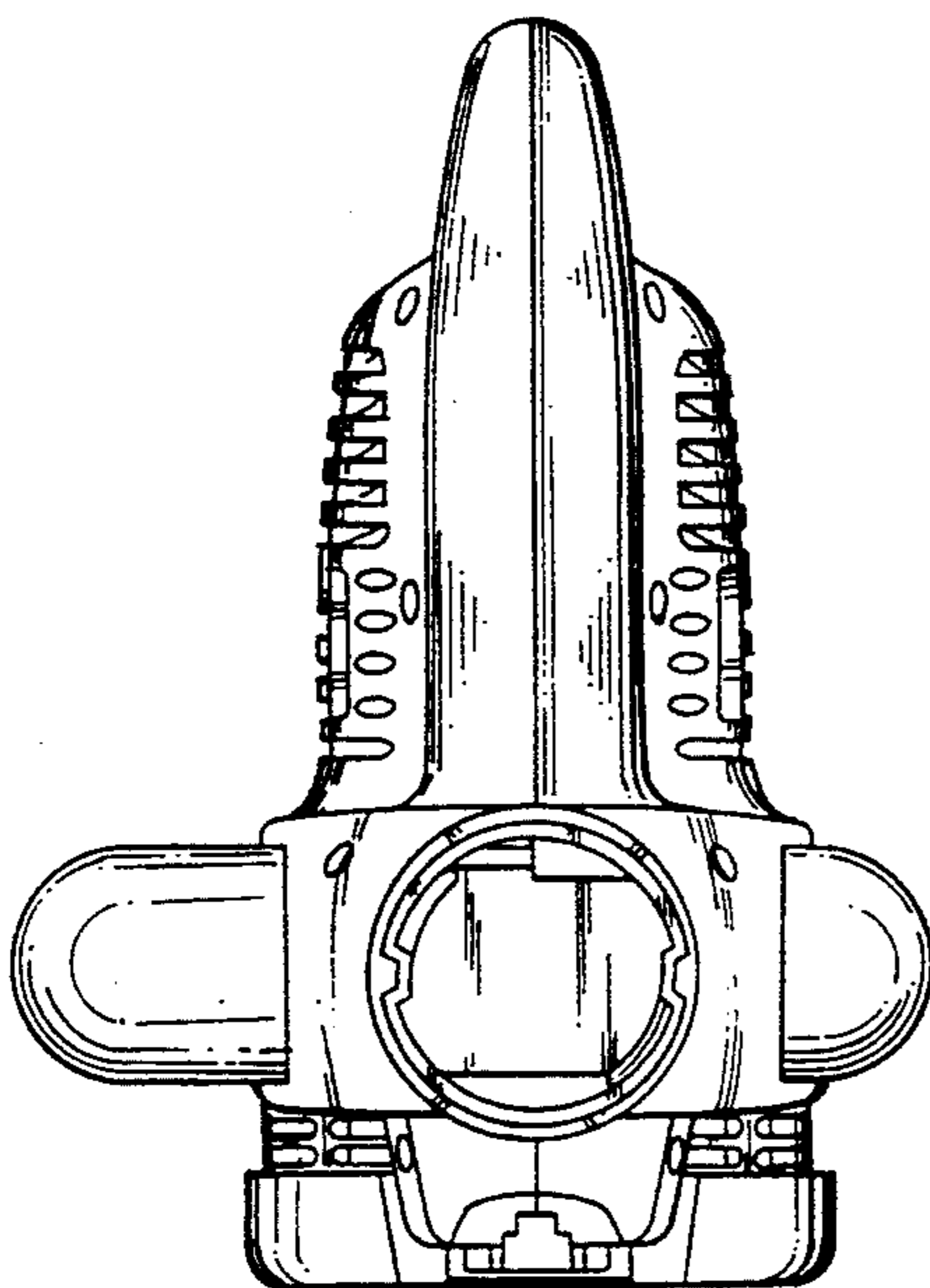
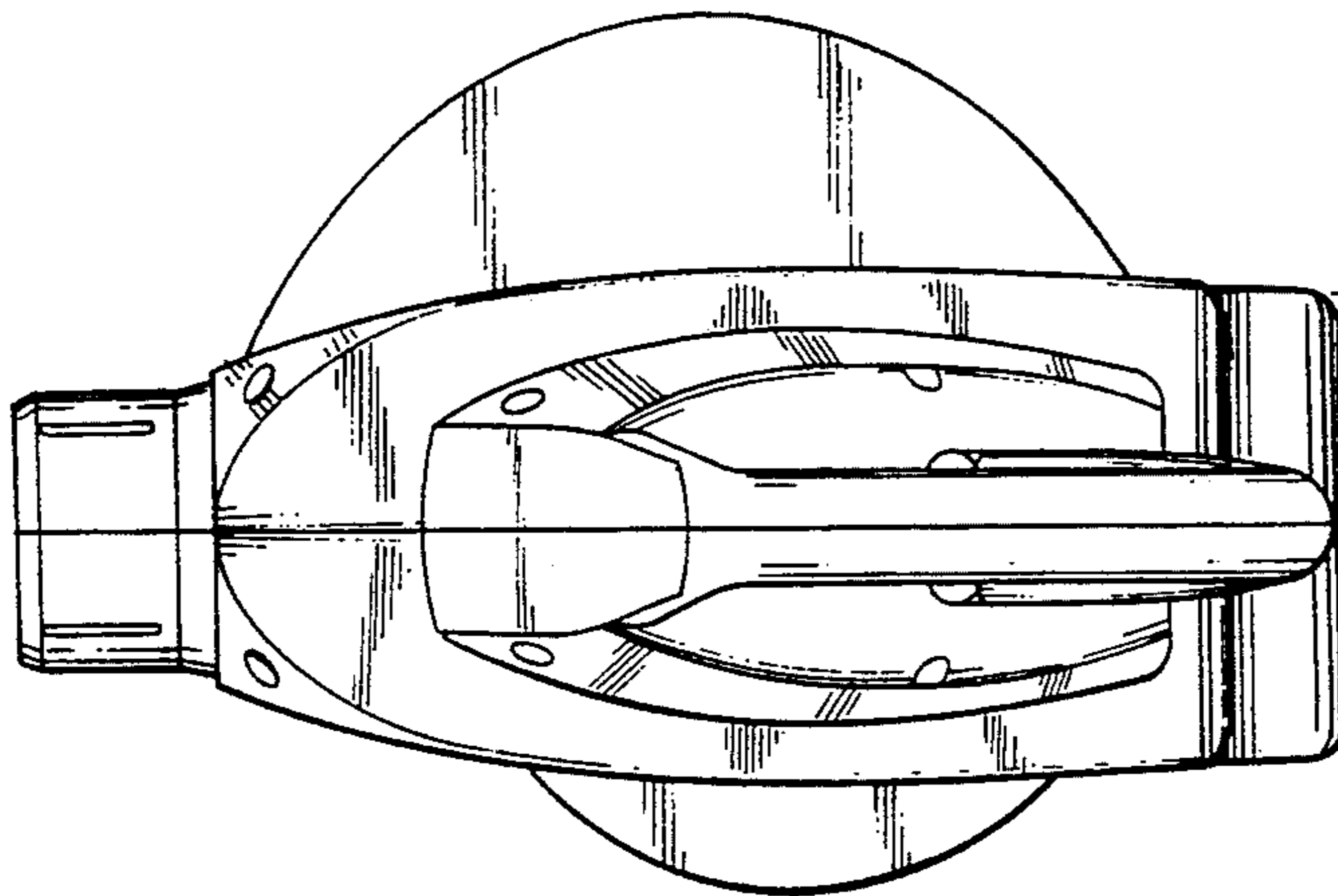
Primary Examiner—Ruth McInroy
Attorney, Agent, or Firm—Brooks & Kushman

[57] **CLAIM**

The ornamental design for a combined blower and vacuum, as shown and described.

DESCRIPTION

FIG. 1 is a right side elevational view of a combined blower and vacuum showing my new design; FIG. 2 is a rear elevational view thereof; FIG. 3 is a top plan view thereof; FIG. 4 is a front elevational view thereof; FIG. 5 is a left side elevational view thereof; and, FIG. 6 is a bottom plan view thereof.



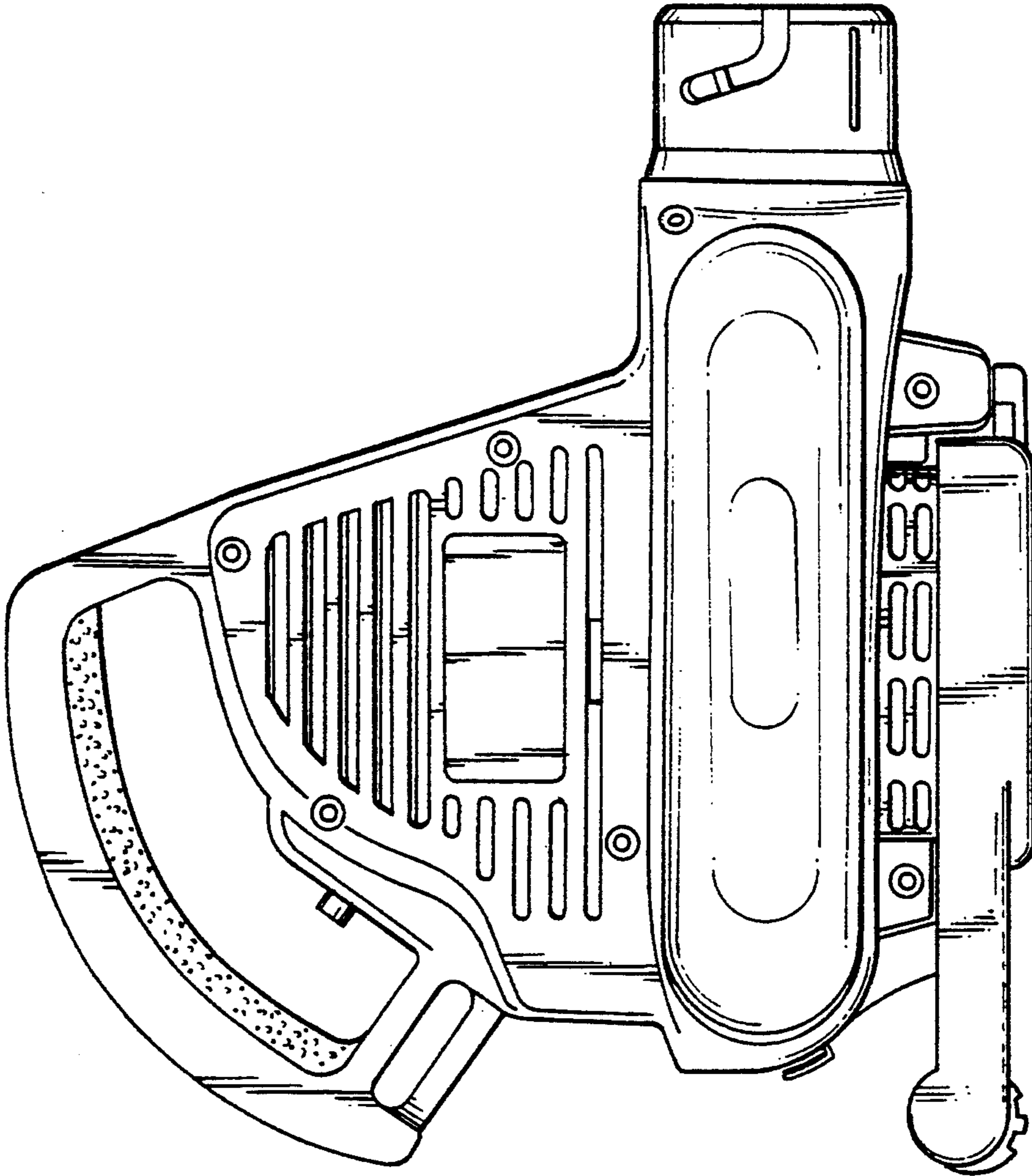


Fig-1

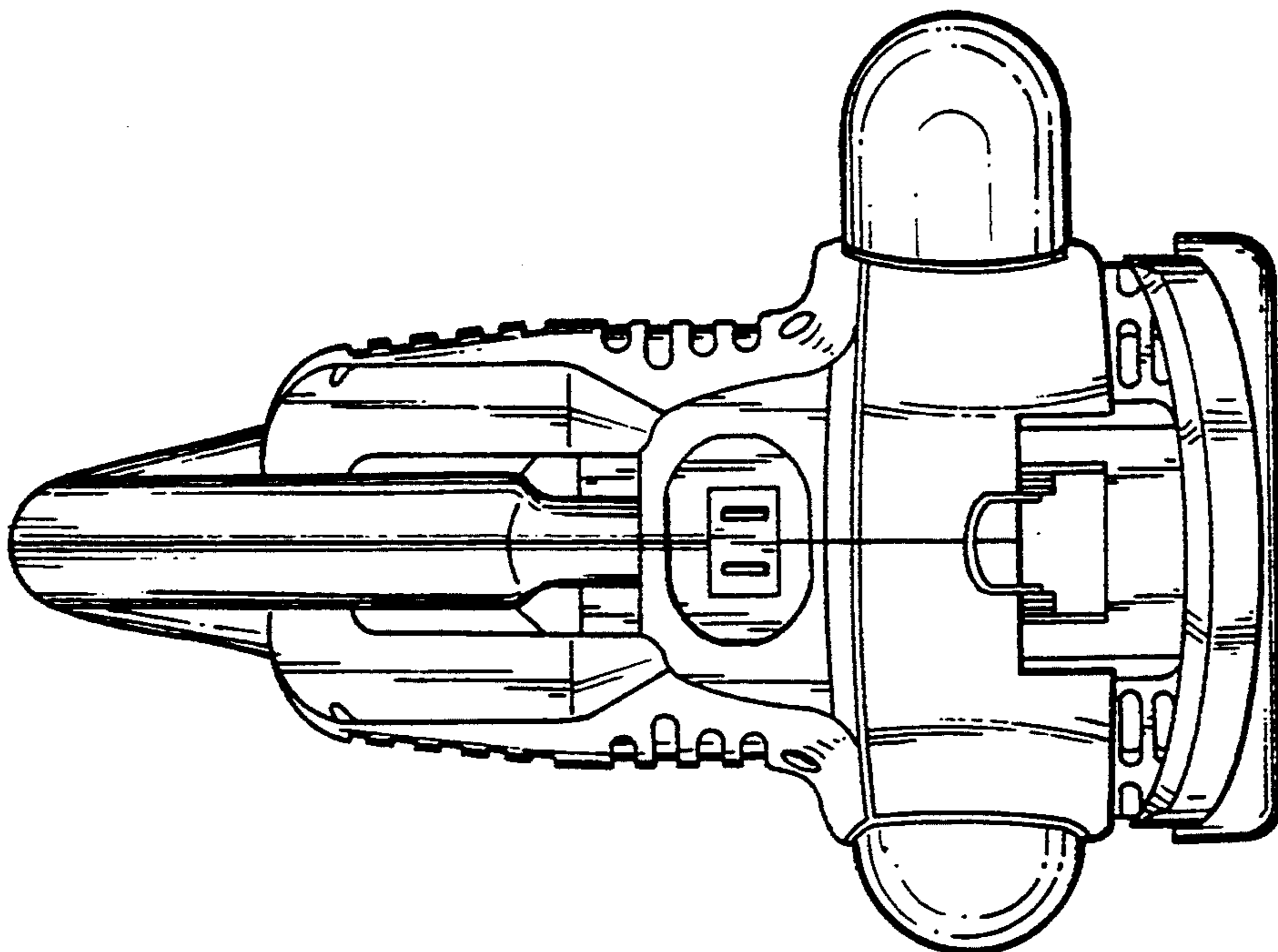


Fig-2

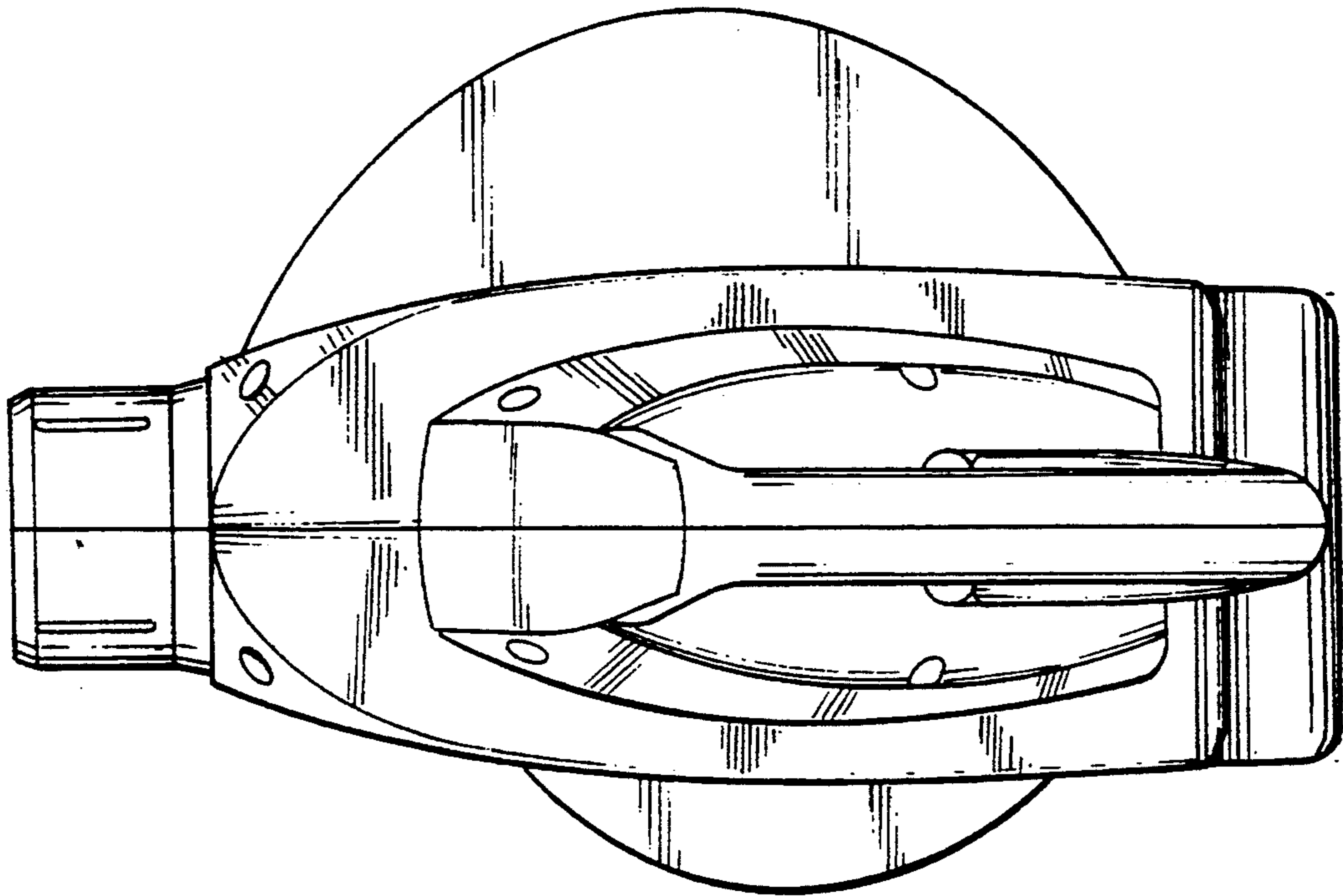


Fig-3

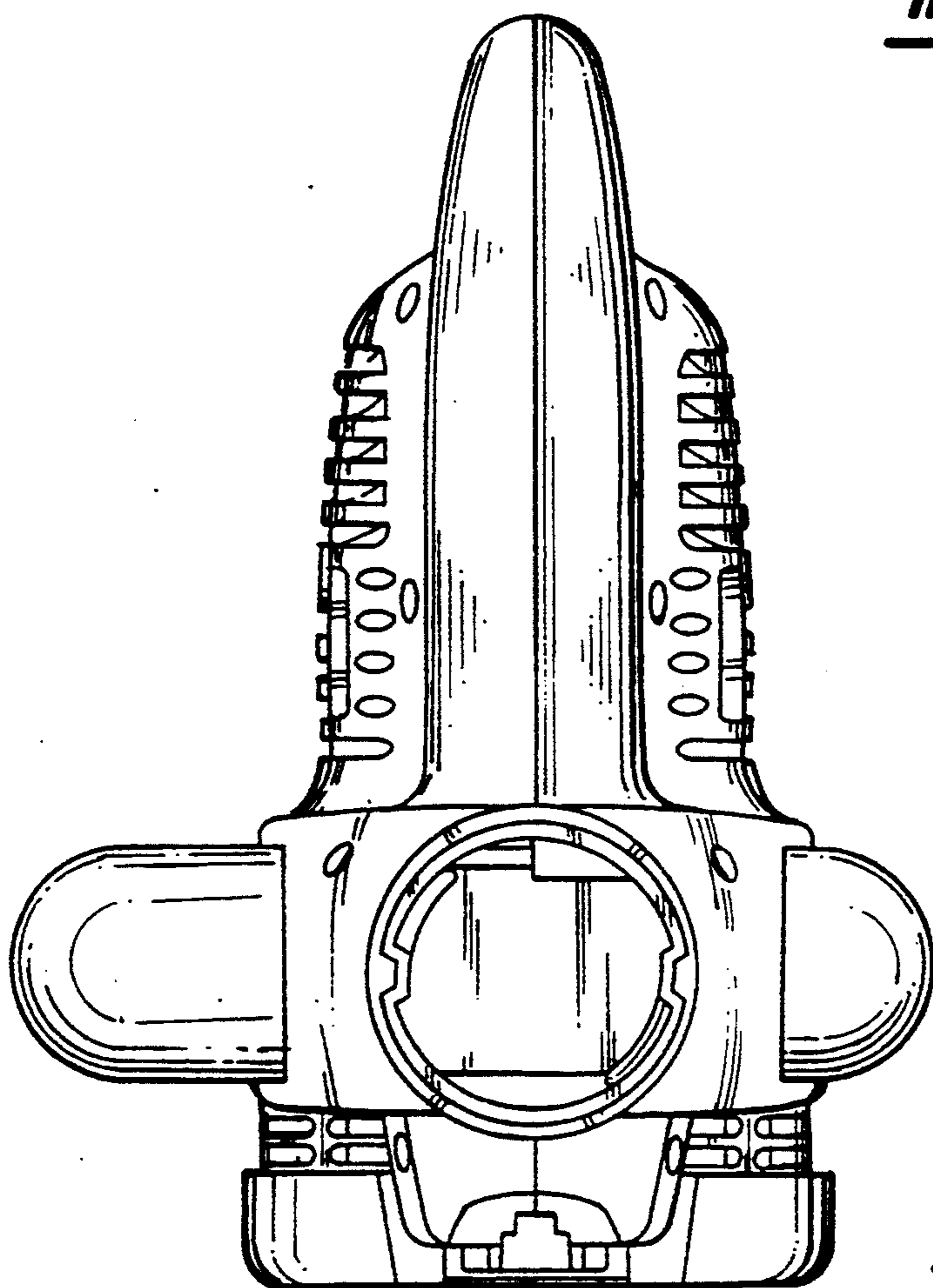


Fig-4

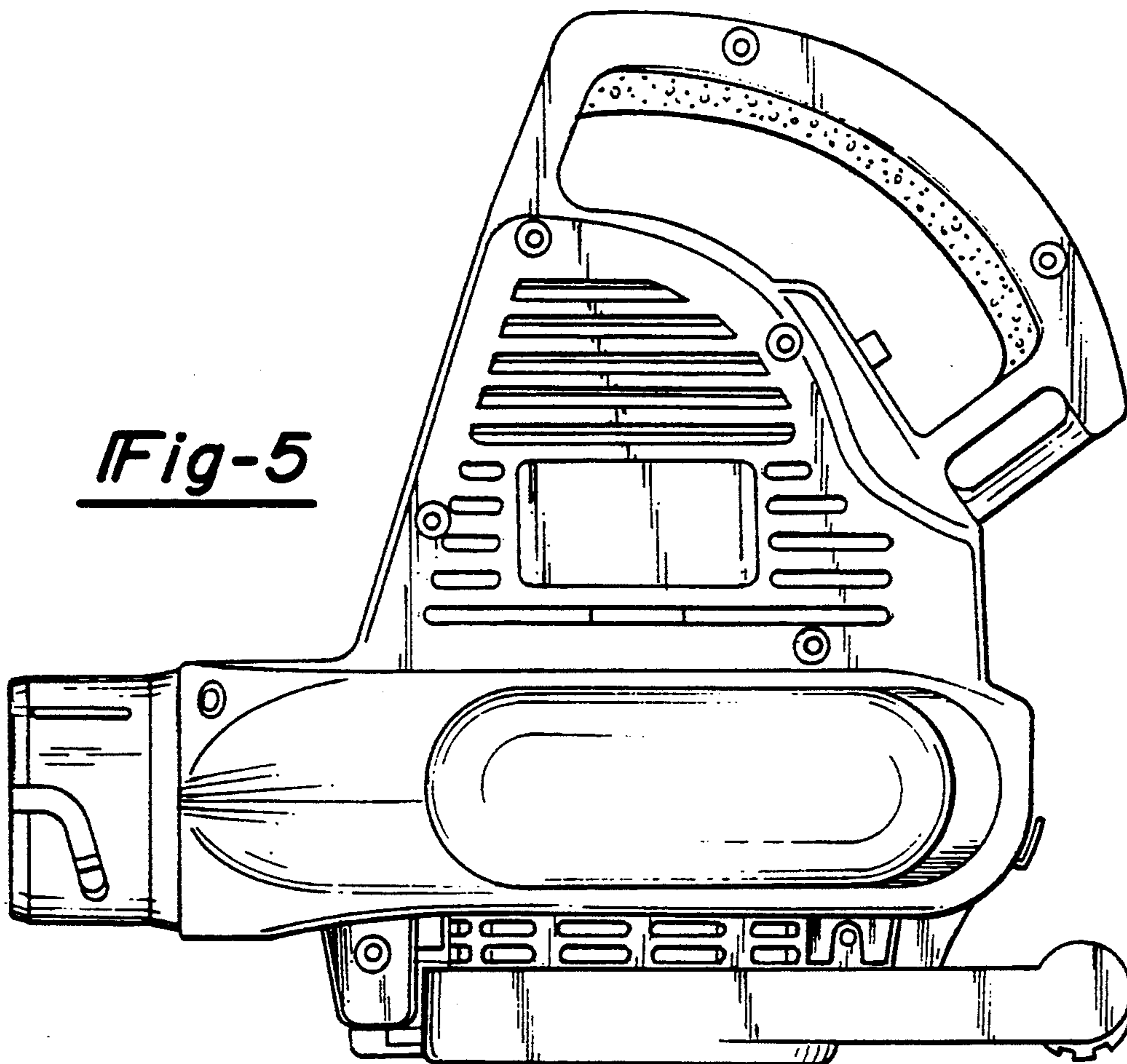


Fig-5

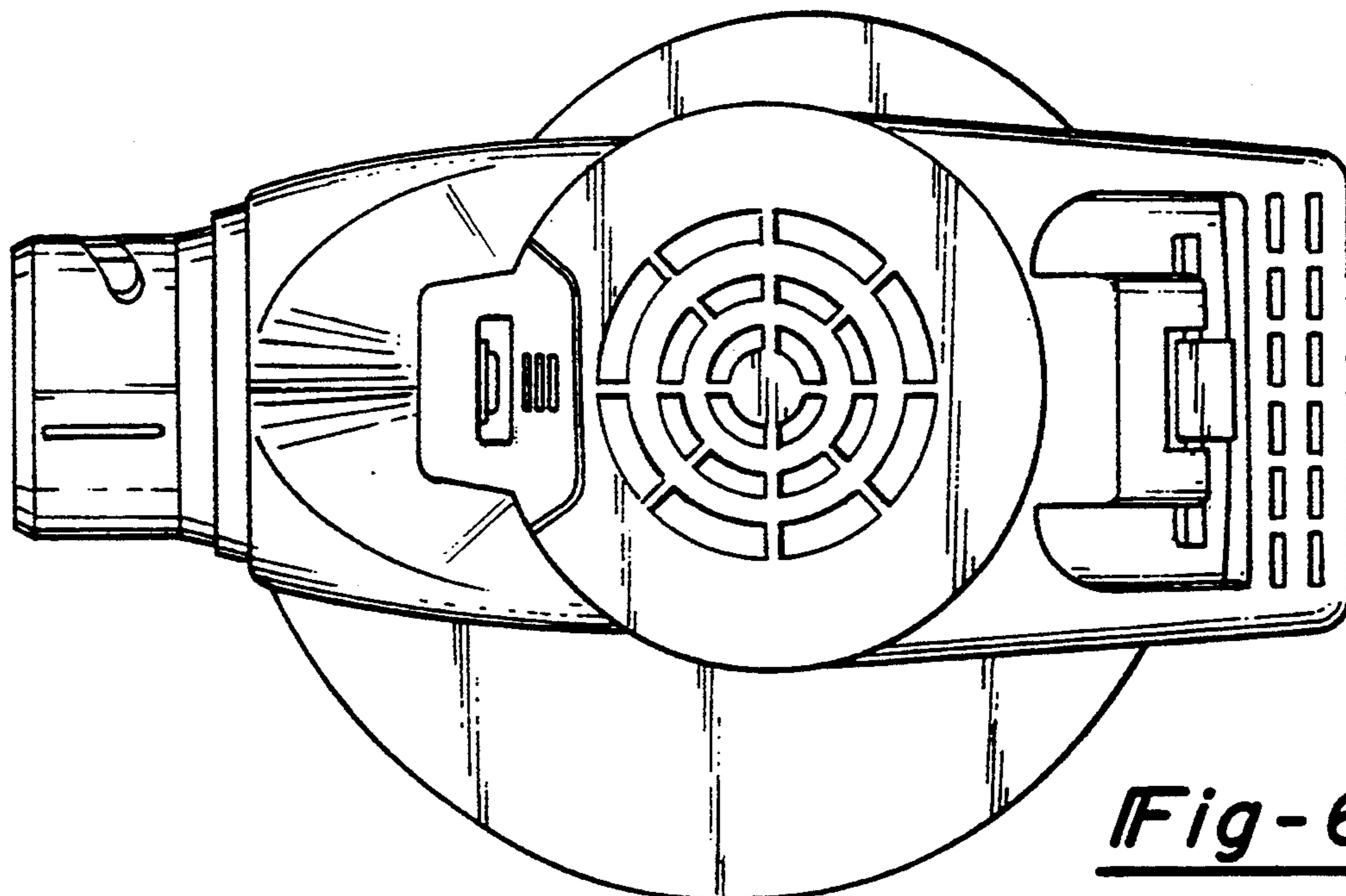


Fig-6