



US00D352578S

# United States Patent [19]

[11] Patent Number: Des. 352,578

Mooney et al.

[45] Date of Patent: \*\* Nov. 15, 1994

[54] **DISHWASHER DETERGENT DISPENSER**

[75] Inventors: **Phillip B. Mooney**, Burlington;  
**Michael W. Hetherington**, Mount  
Albert, both of Canada

[73] Assignee: **Diversey Corporation**, Mississauga,  
Canada

[\*\*] Term: **14 Years**

[21] Appl. No.: **639,704**

[22] Filed: **Jan. 9, 1991**

[30] **Foreign Application Priority Data**

Jul. 9, 1990 [CA] Canada ..... 09079017

Jul. 9, 1990 [CA] Canada ..... 09079018

[52] U.S. Cl. .... **D32/3**

[58] Field of Search ..... 222/651, 652, 325;  
D32/3, 1, 2, 25, 30

[56] **References Cited**

**U.S. PATENT DOCUMENTS**

D. 308,739 6/1990 Nystuen ..... D32/3

3,749,288 7/1973 Wade ..... 222/651 X

4,345,627 8/1982 Cassia ..... 222/325 X

4,921,129 5/1990 Jones et al. .... 222/325 X

4,930,684 6/1990 Patterson ..... 222/325

*Primary Examiner*—Alan P. Douglas

*Assistant Examiner*—Caron D. Veynar

*Attorney, Agent, or Firm*—Weintraub, DuRoss, & Brady

[57] **CLAIM**

The ornamental design for a dishwasher detergent dispenser, as shown.

**DESCRIPTION**

FIG. 1 is a top, front and left side perspective view of a dishwasher detergent dispenser showing our new design;

FIG. 2 is a front elevational view thereof;

FIG. 3 is a right side elevational view thereof;

FIG. 4 is a top plan view thereof;

FIG. 5 is a left side elevational view thereof;

FIG. 6 is a bottom plan view thereof;

FIG. 7 is a top, front and left side perspective view of a second embodiment of our new design;

FIG. 8 is a top, front and left side perspective view of a third embodiment of our new design;

FIG. 9 is a front elevational view of the second embodiment;

FIG. 10 is a right side elevational view of the second and third embodiments;

FIG. 11 is a top plan view of the second and third embodiments;

FIG. 12 is a rear elevational view of the second and third embodiments;

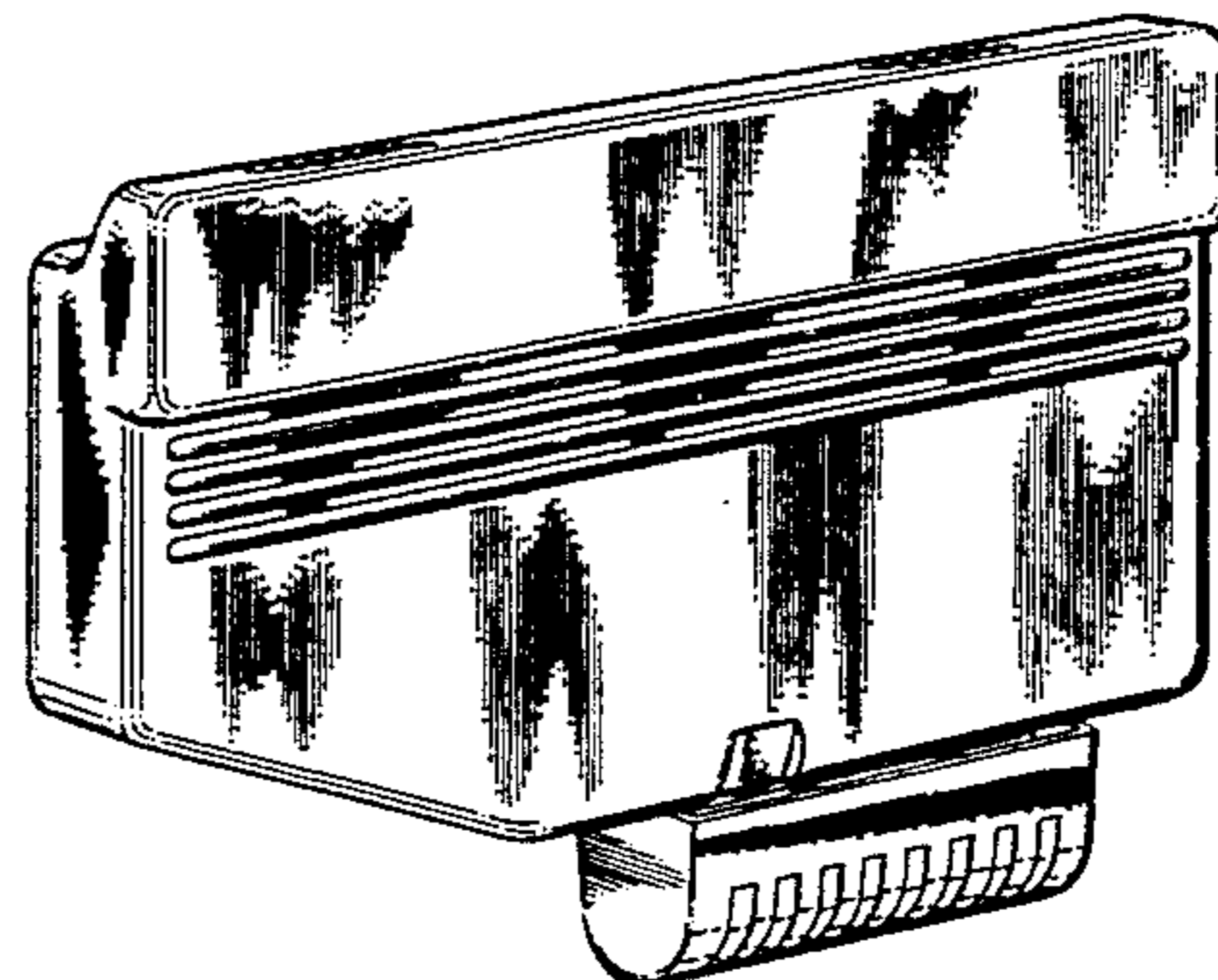
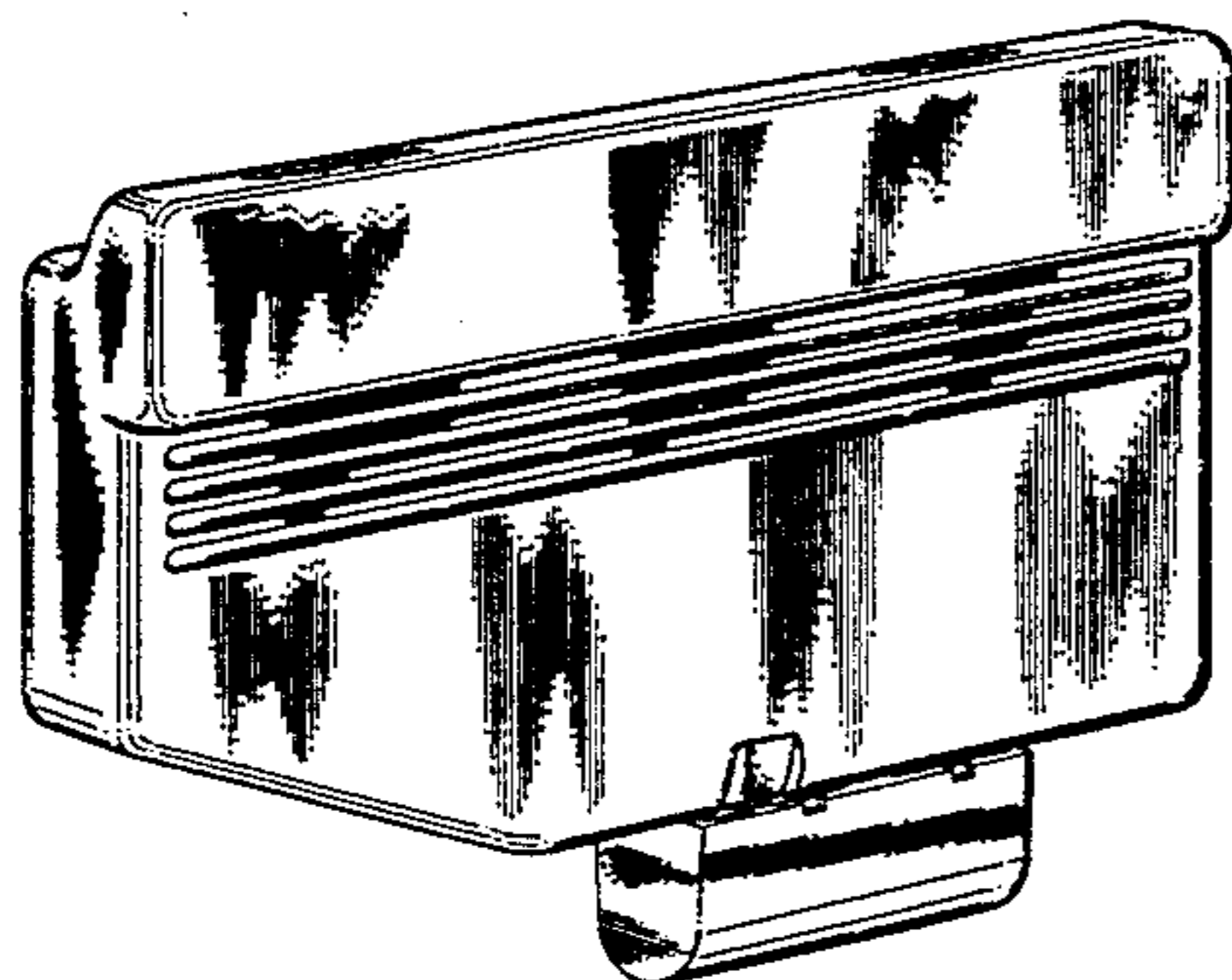
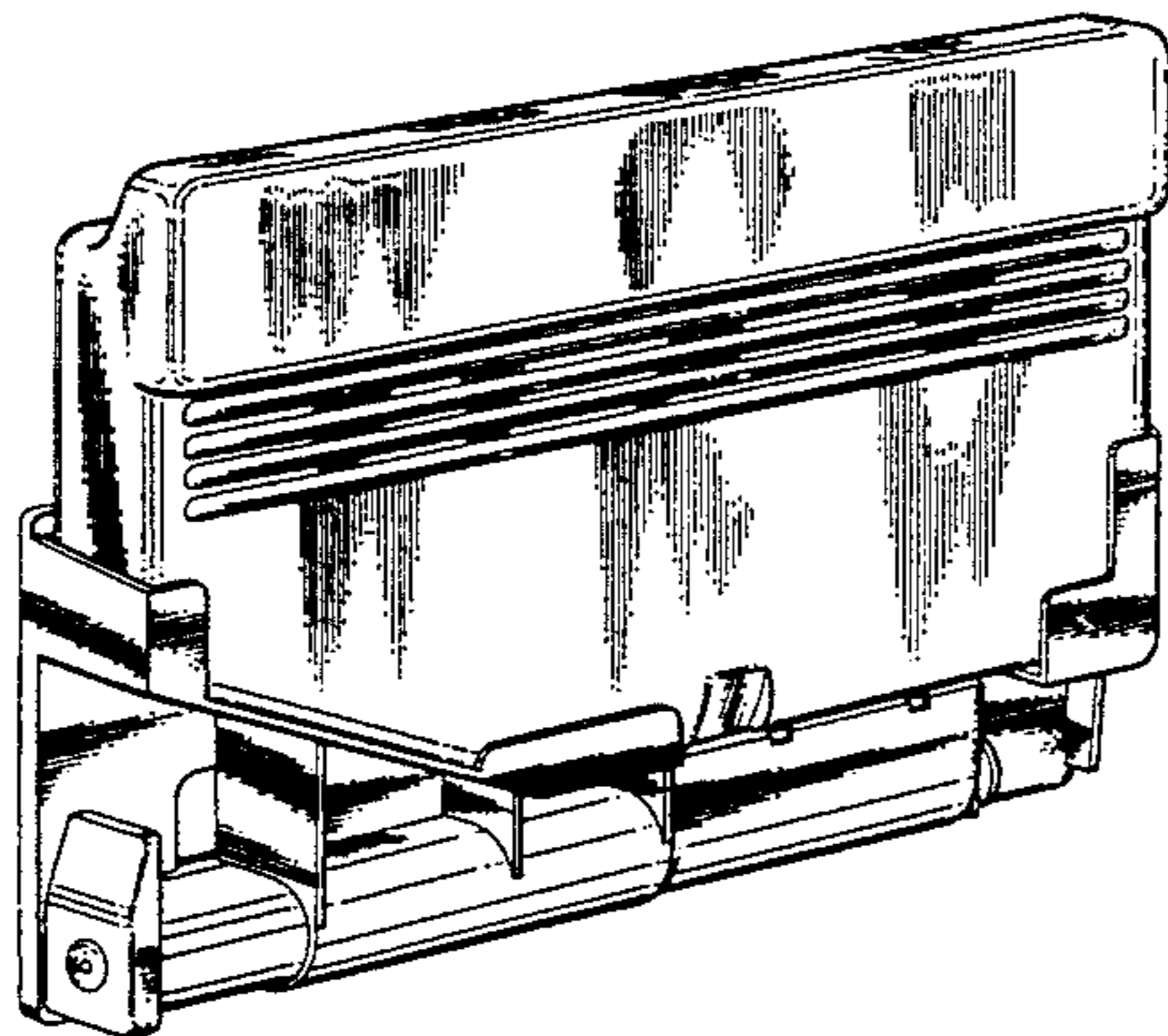
FIG. 13 is a left side elevational view of the second and third embodiments;

FIG. 14 is a bottom plan view of the second embodiment;

FIG. 15 is a rear elevational view of the first embodiment;

FIG. 16 is a bottom plan view of the third embodiment; and,

FIG. 17 is a rear elevational view of the third embodiment.



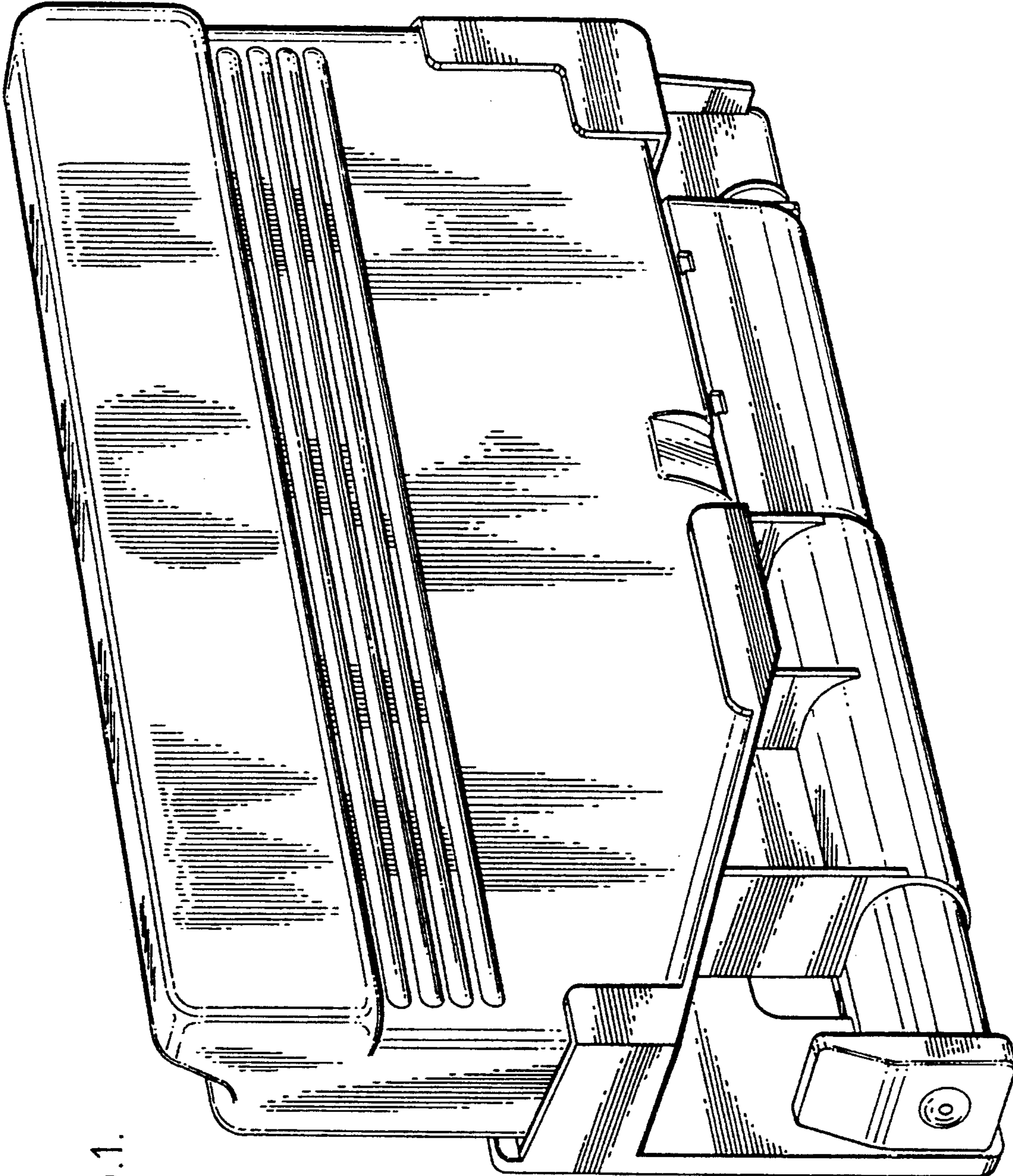


FIG.1.

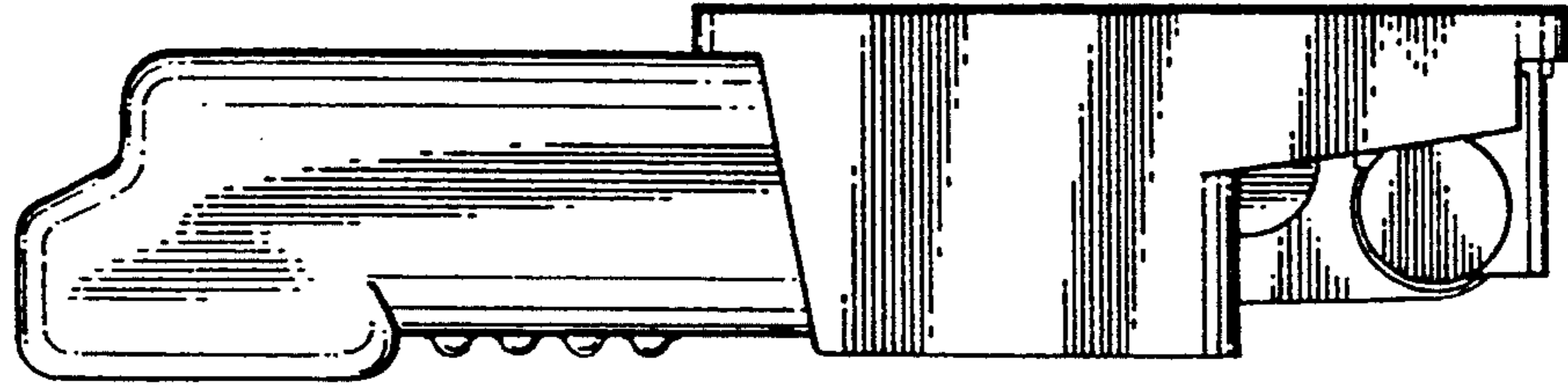


FIG. 3.

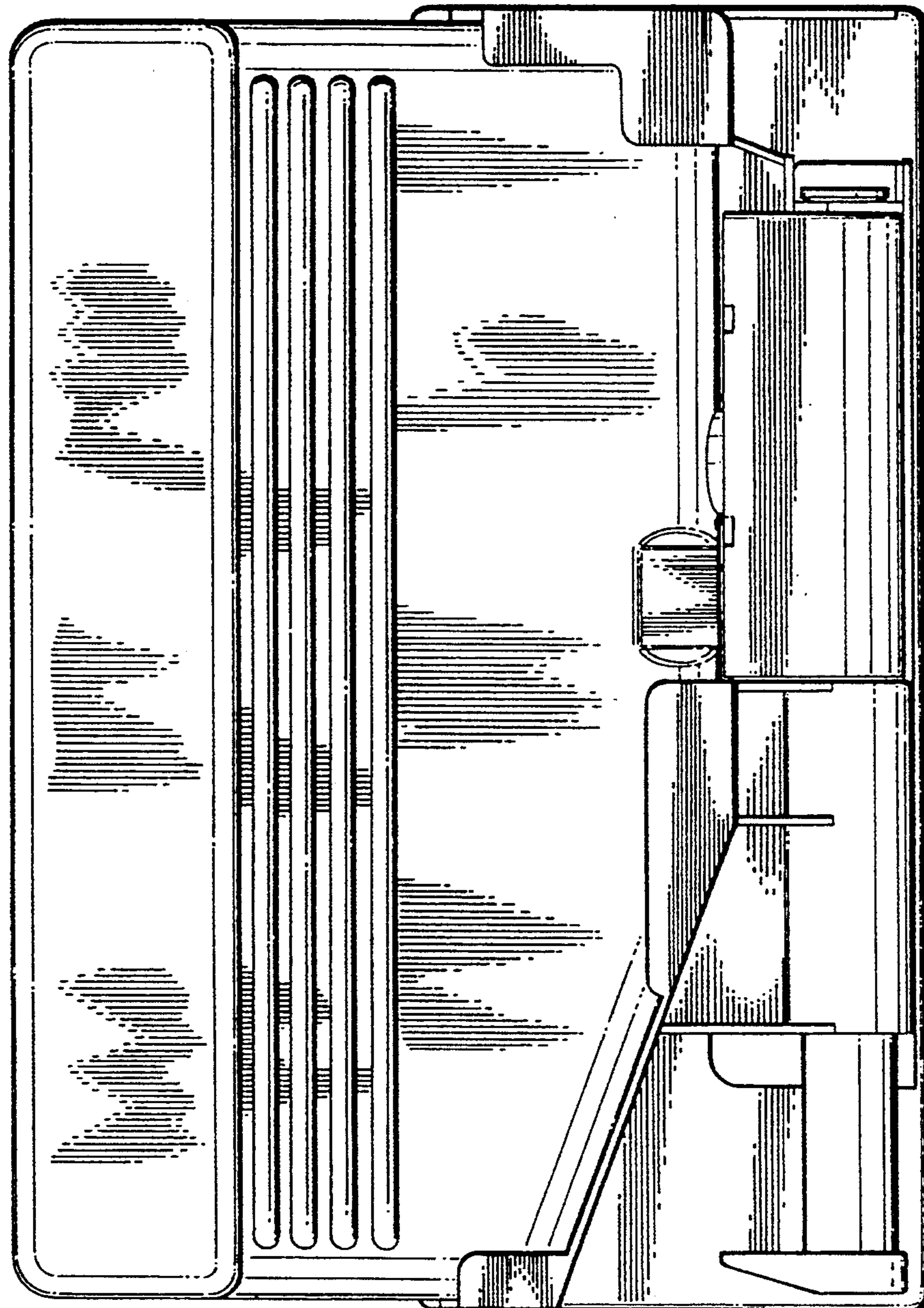


FIG. 2.

FIG. 5.

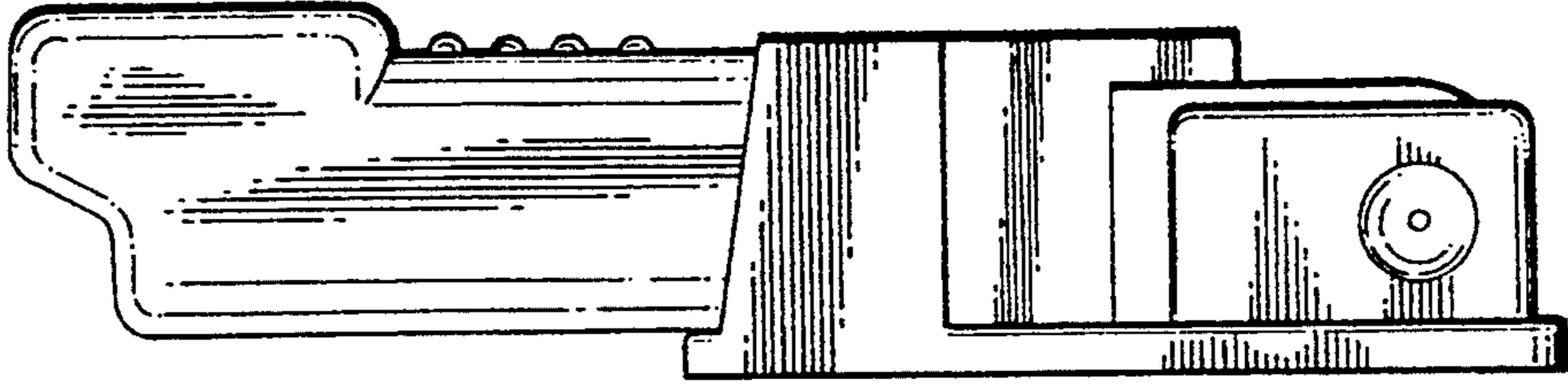


FIG. 4.

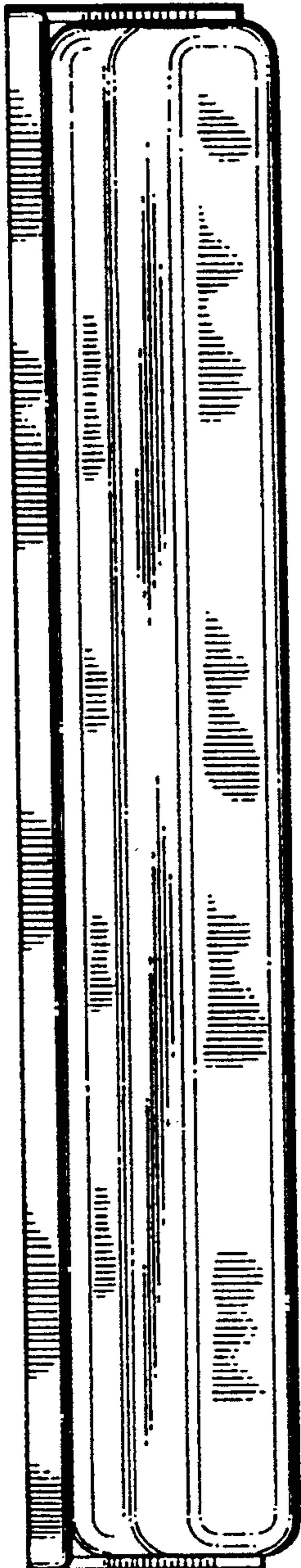
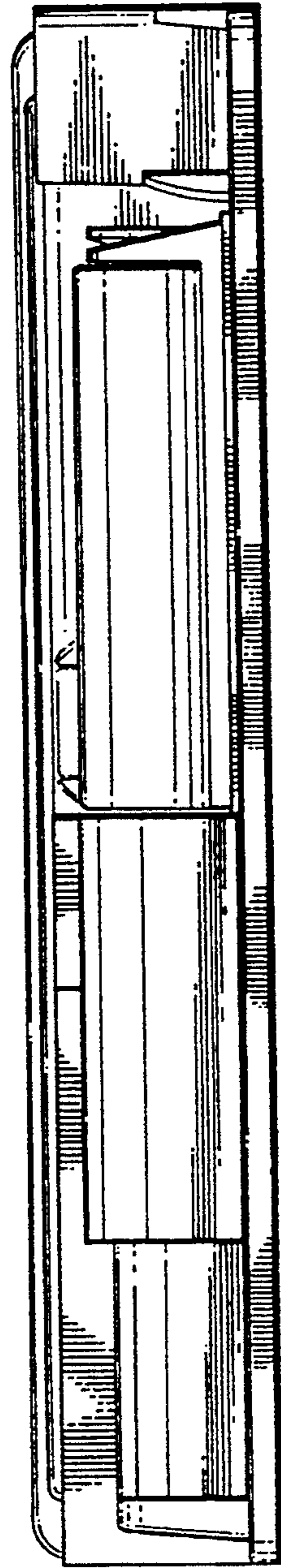


FIG. 6.



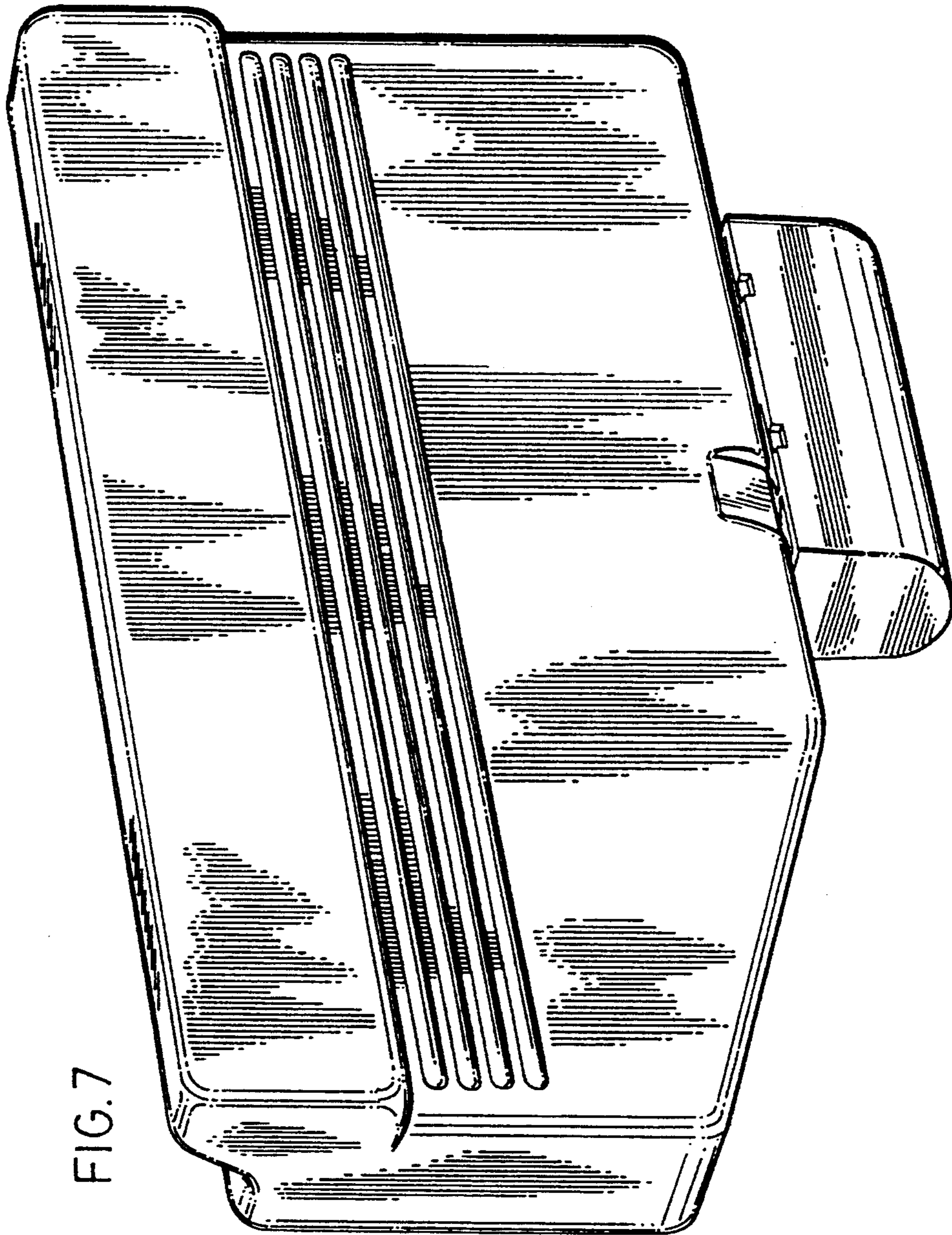


FIG. 7

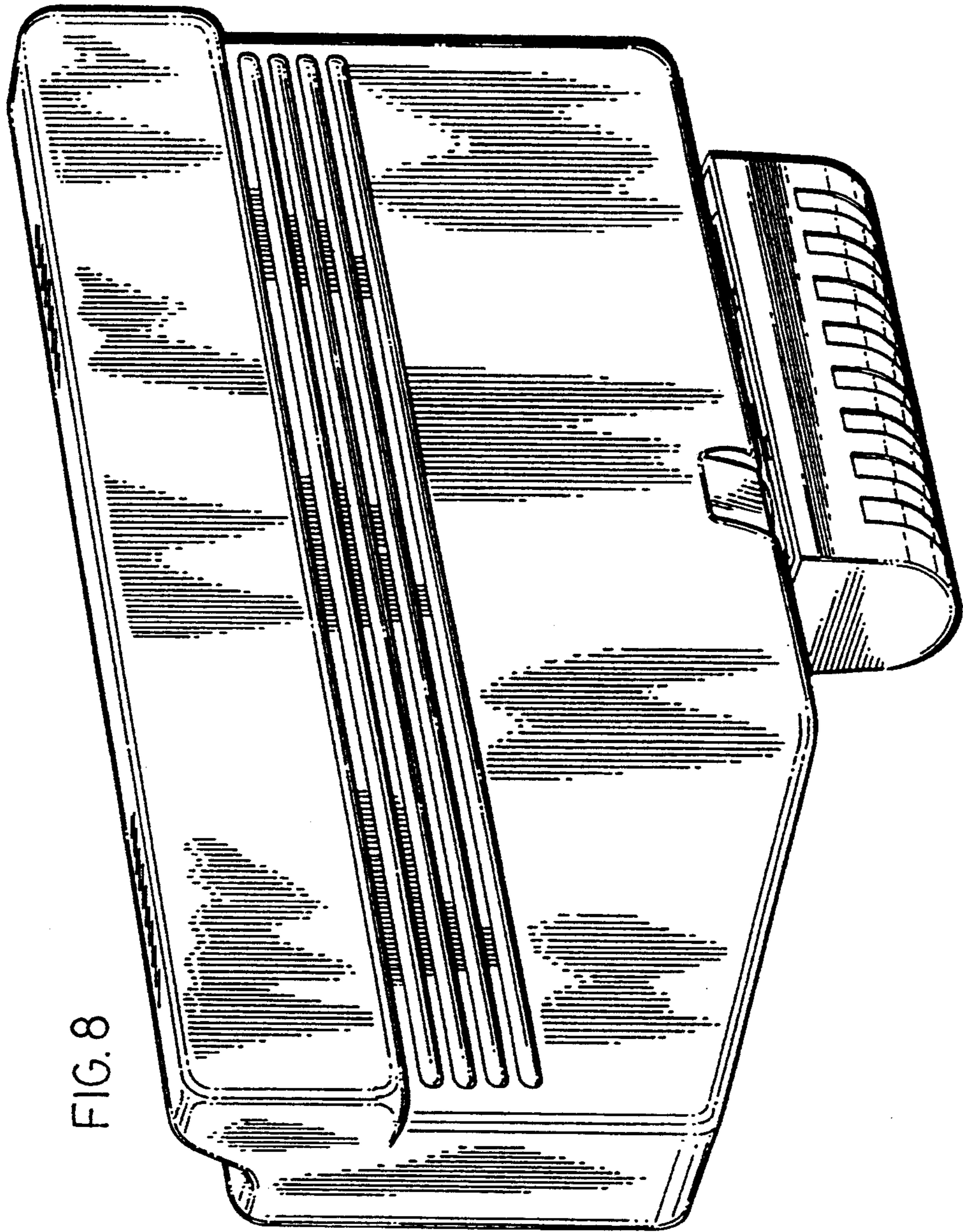


FIG. 8

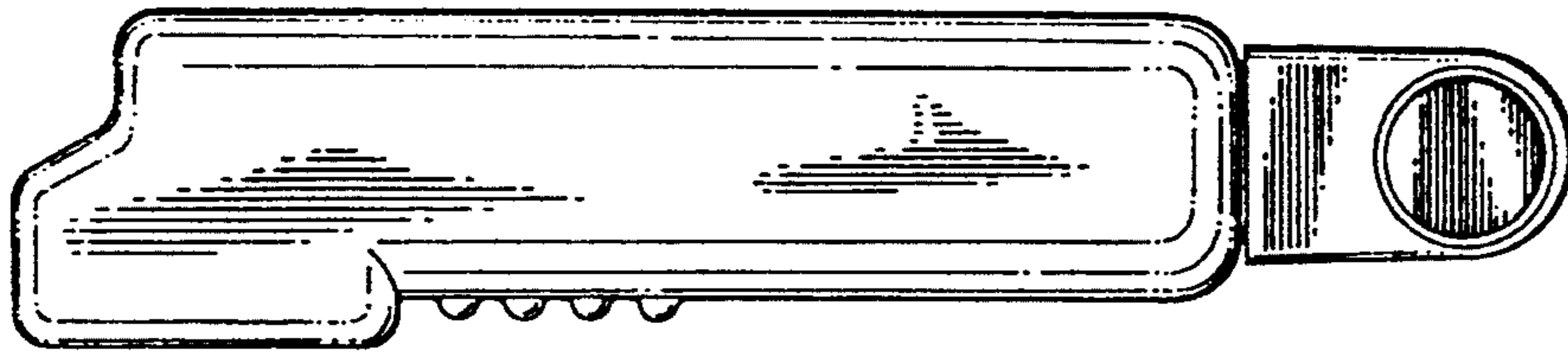


FIG. 10

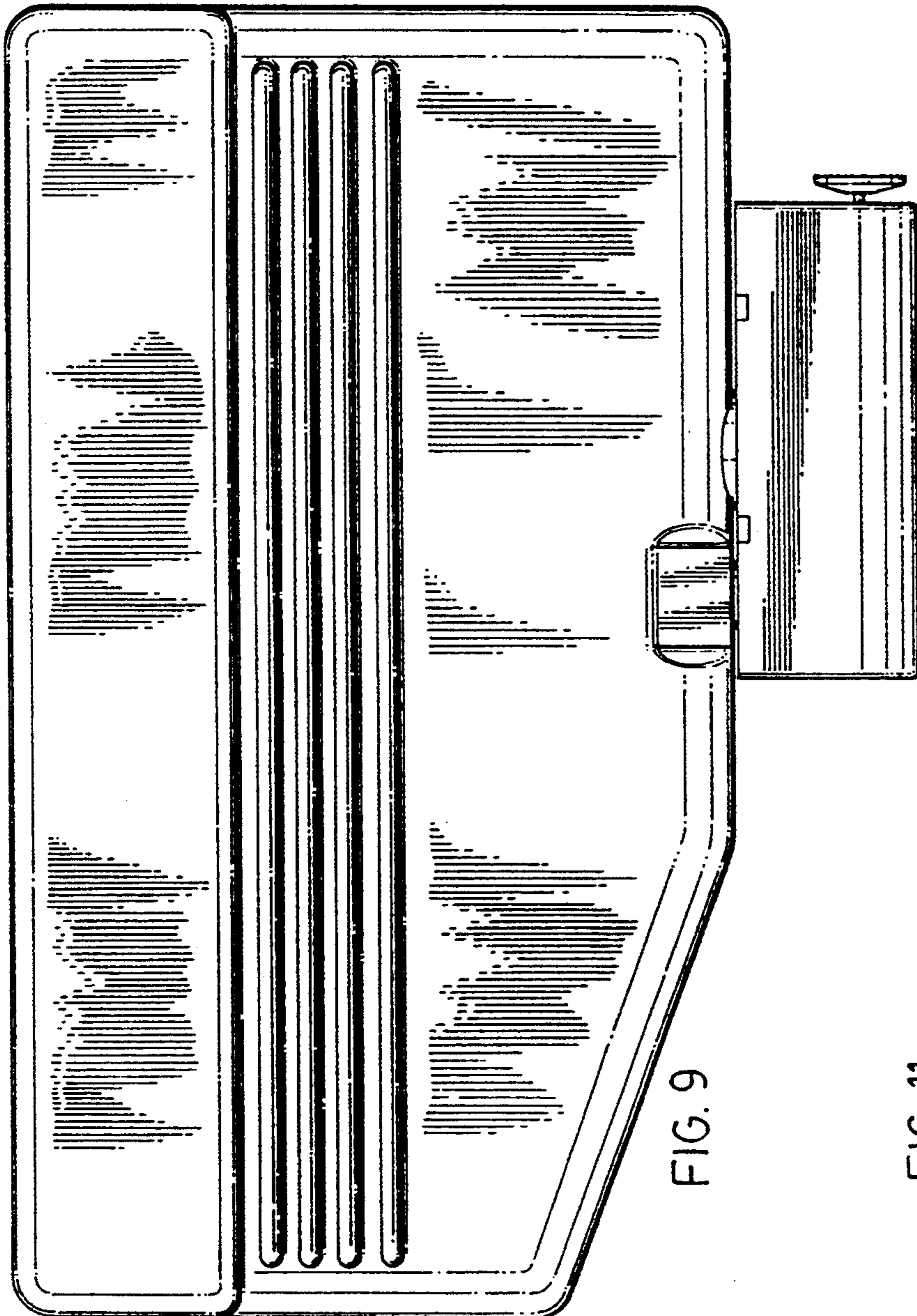


FIG. 9

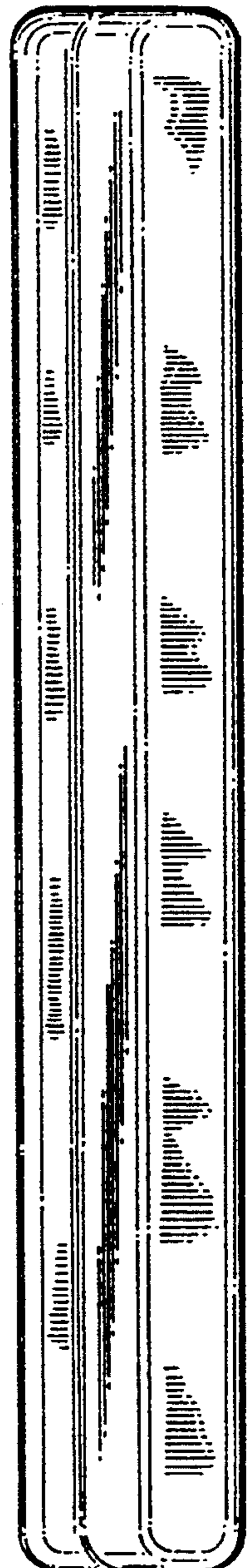


FIG. 11

FIG. 13

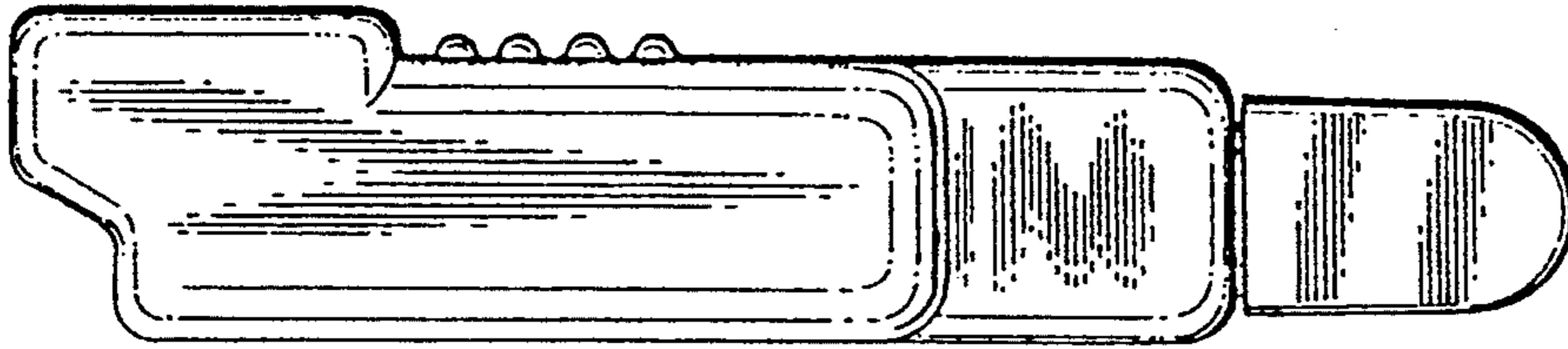


FIG. 12

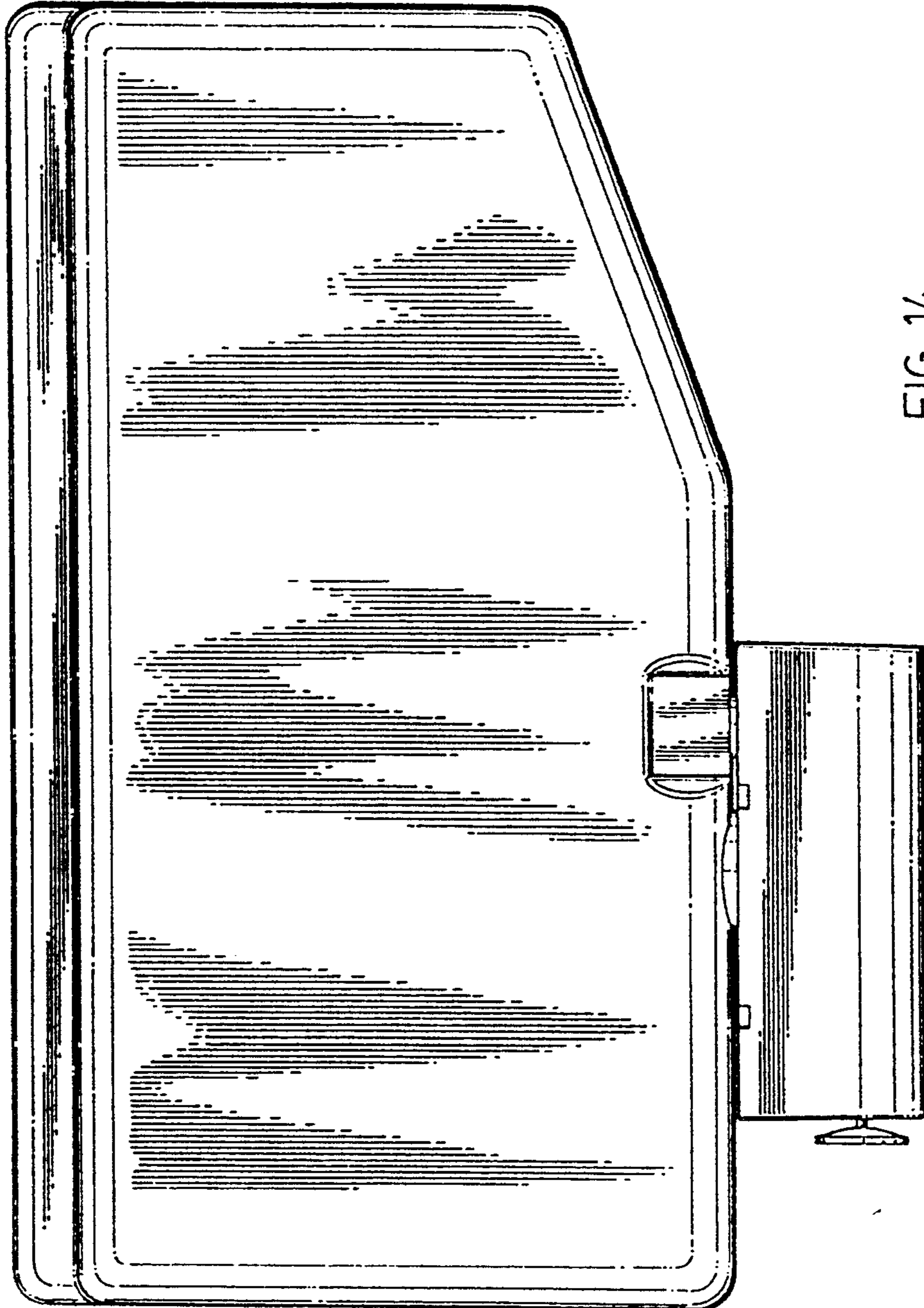


FIG. 14

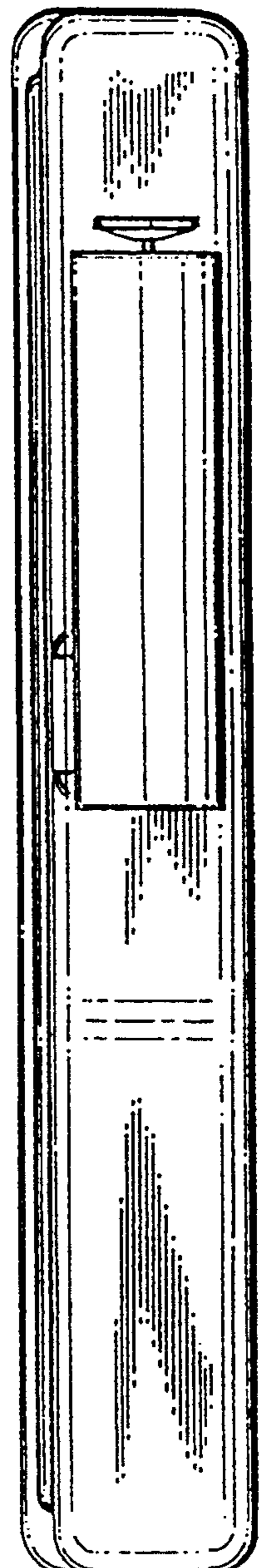




FIG.15.

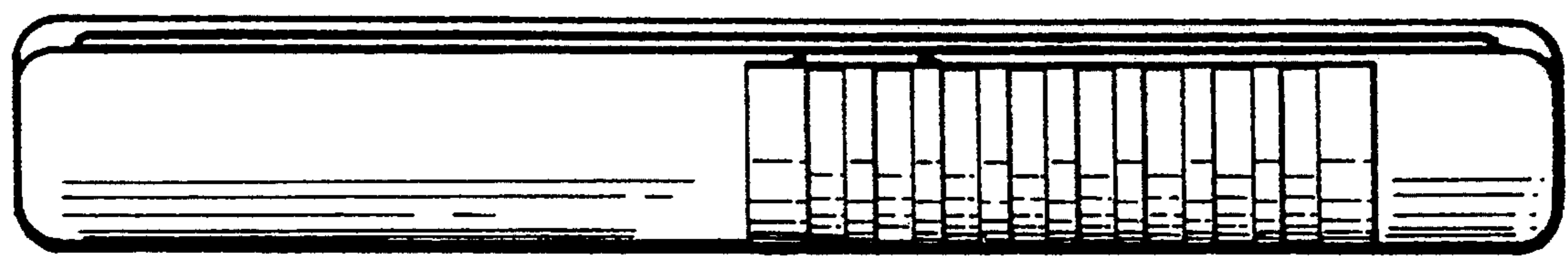
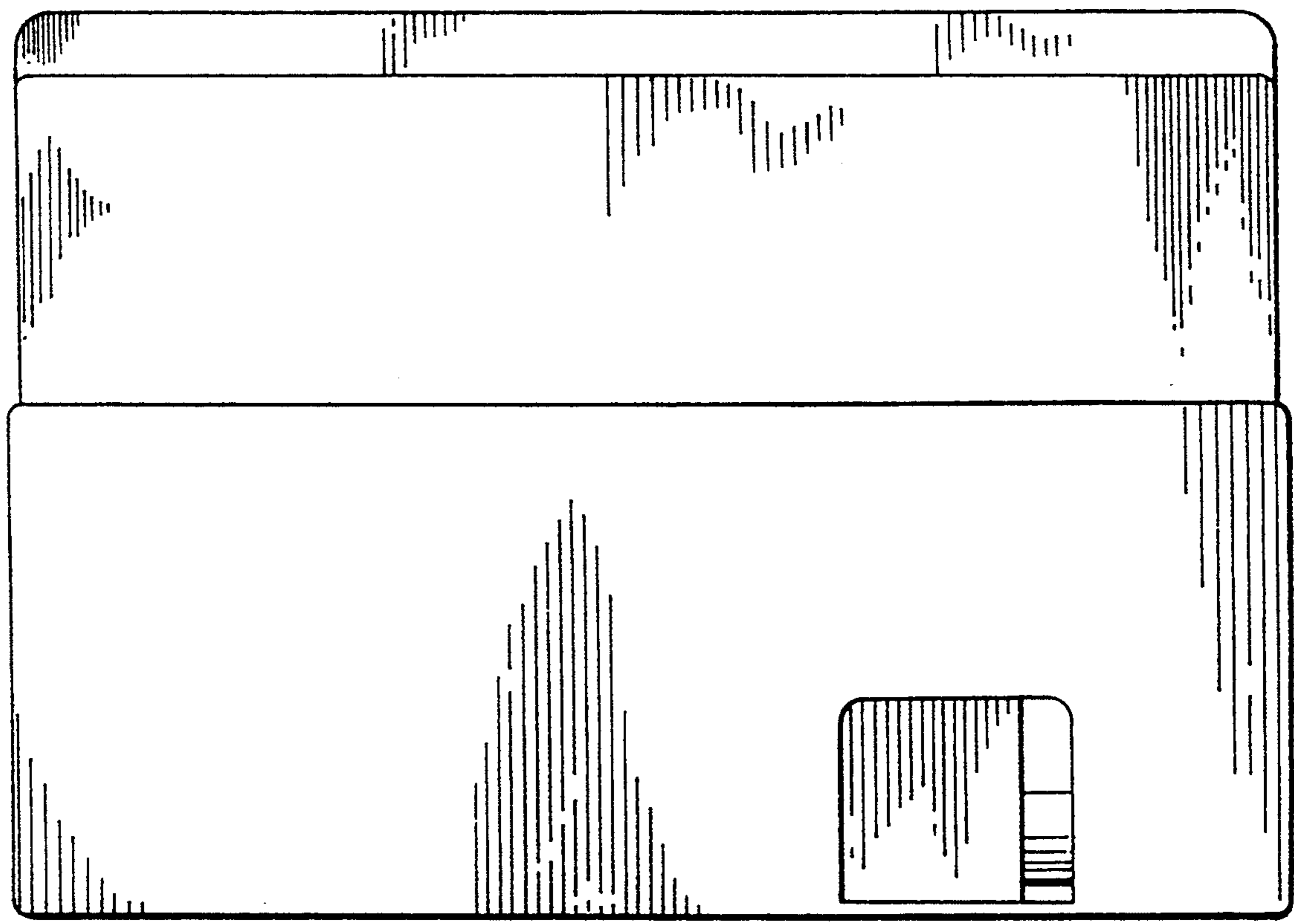


FIG.16.

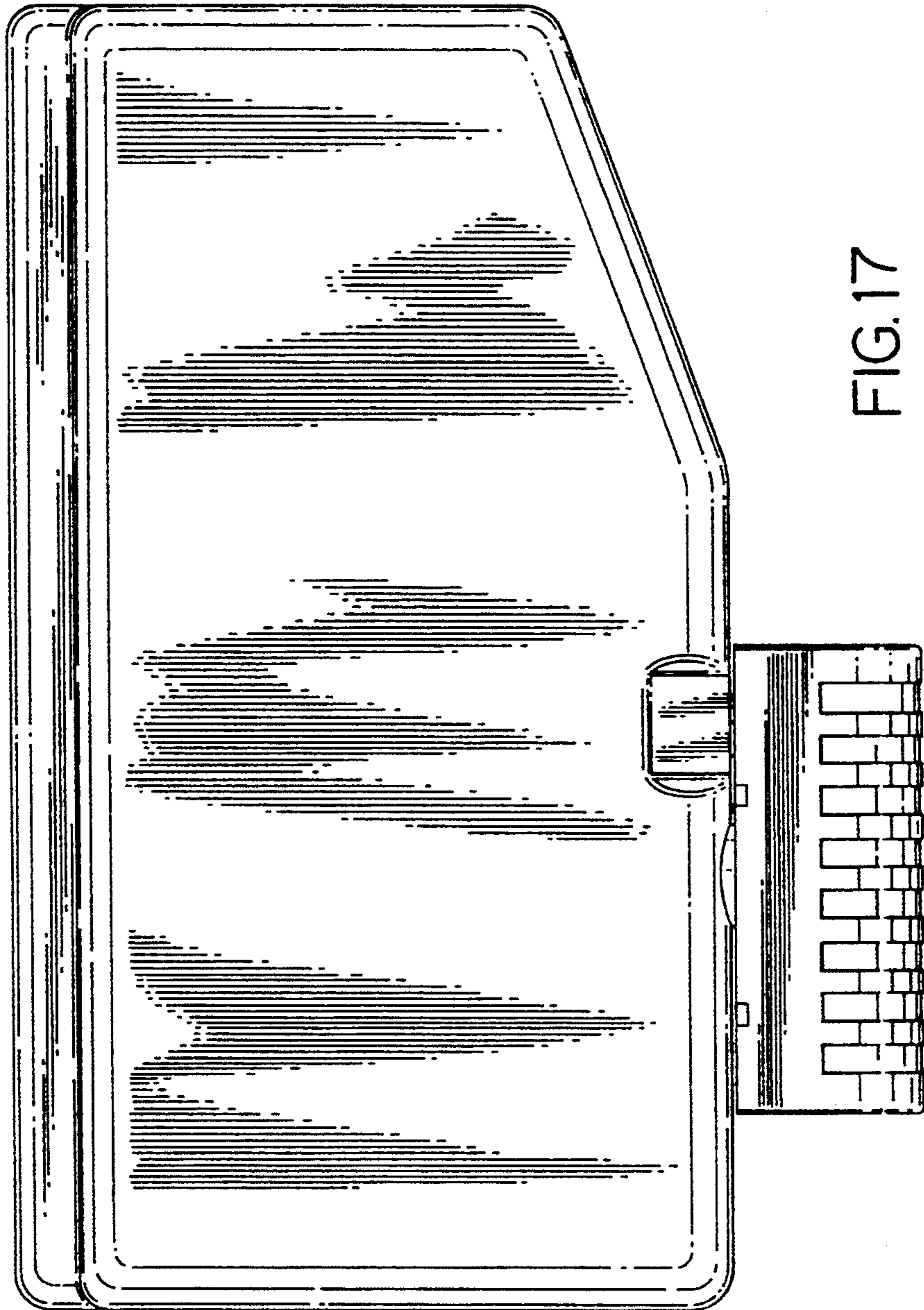


FIG.17