



US00D352574S

United States Patent [19]

[11] Patent Number: **Des. 352,574**

Brown

[45] Date of Patent: **** Nov. 15, 1994**

[54] **BUTTERFLY FEEDER**

D. 252,288	7/1979	Kilham	D30/125
3,913,527	10/1975	Kilham	119/77
5,062,350	11/1991	Bescherer et al.	119/72
5,272,829	12/1993	Roberts et al.	119/61

[76] Inventor: **Arthur C. Brown, P.O. Box 277, West Kingston, R.I. 02892**

[**] Term: **14 Years**

Primary Examiner—CathyAnne MacCormac
Attorney, Agent, or Firm—Barlow & Barlow, Ltd.

[21] Appl. No.: **5,443**

[57] **CLAIM**

[22] Filed: **Mar. 5, 1993**

The ornamental design for a butterfly feeder, as shown.

[52] U.S. Cl. **D30/121**

[58] Field of Search 119/61, 77, 57.9, 72,
119/6.5; D30/121, 124-128, 133

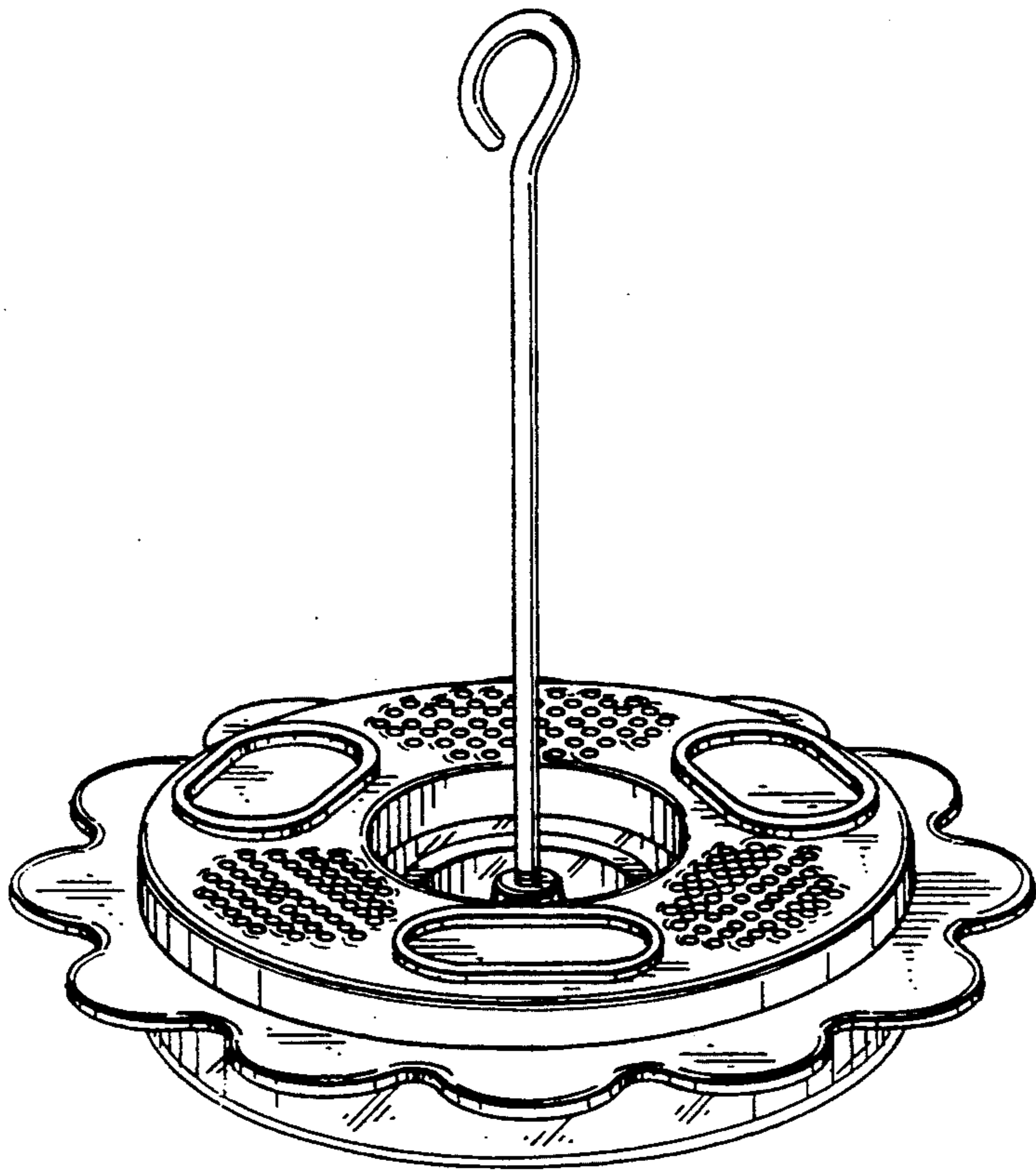
DESCRIPTION

[56] **References Cited**

FIG. 1 is a perspective view of a butterfly feeder showing my new design;
FIG. 2 is a top plan view thereof;
FIG. 3 is an elevational view thereof; and,
FIG. 4 is a bottom plan view thereof.

U.S. PATENT DOCUMENTS

D. 239,182 3/1976 Kilham D30/125



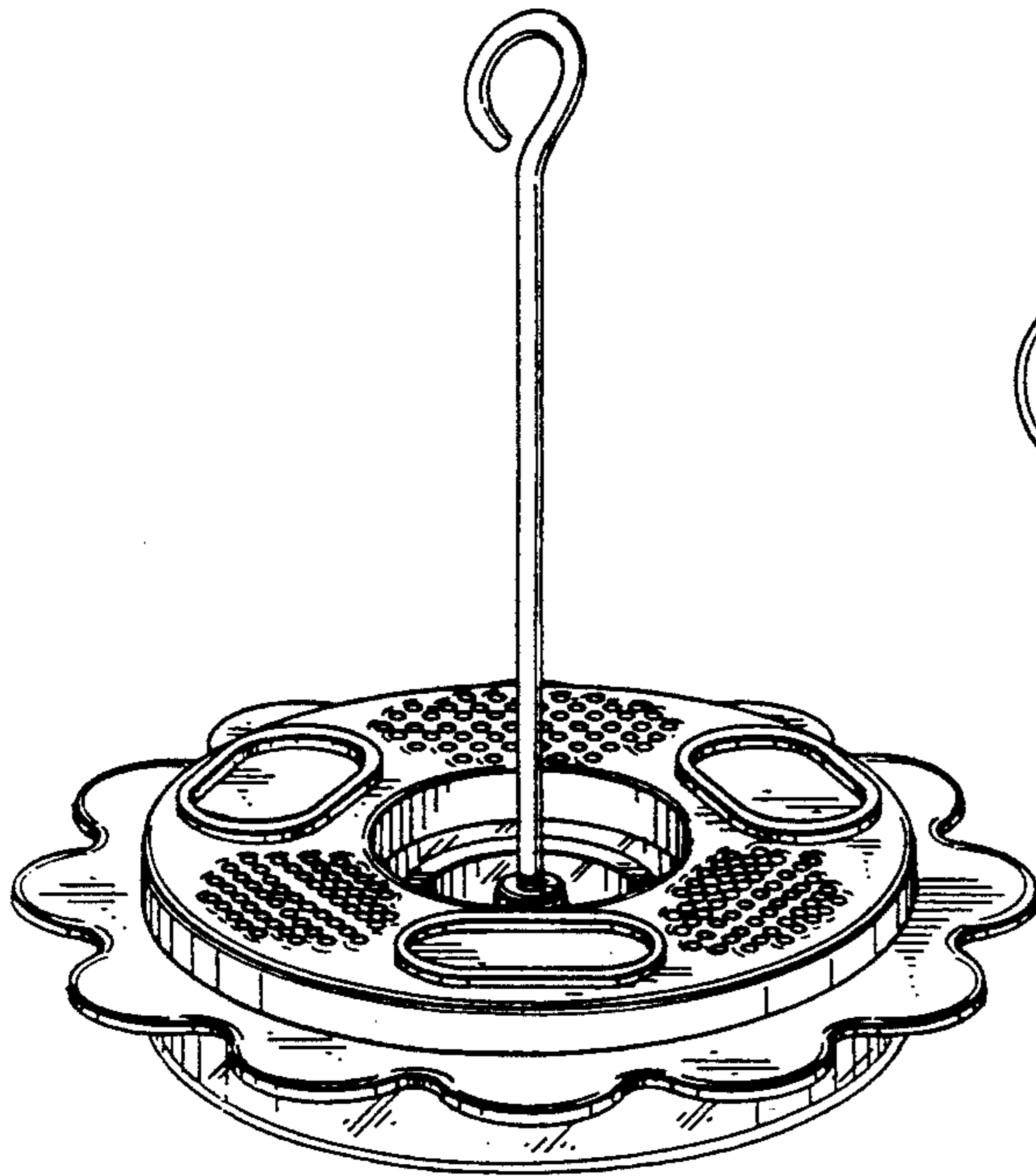


FIG. 1

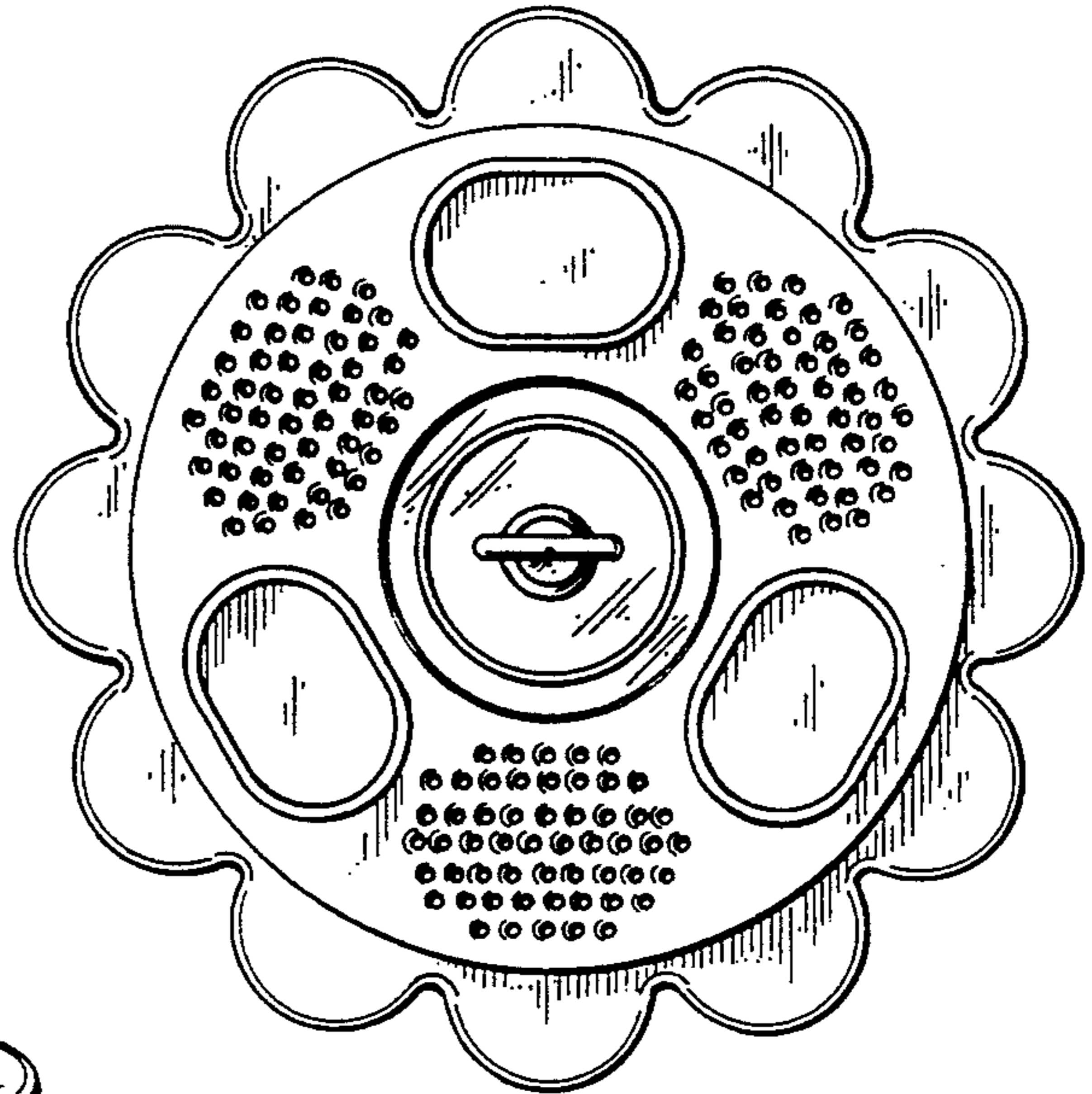


FIG. 2

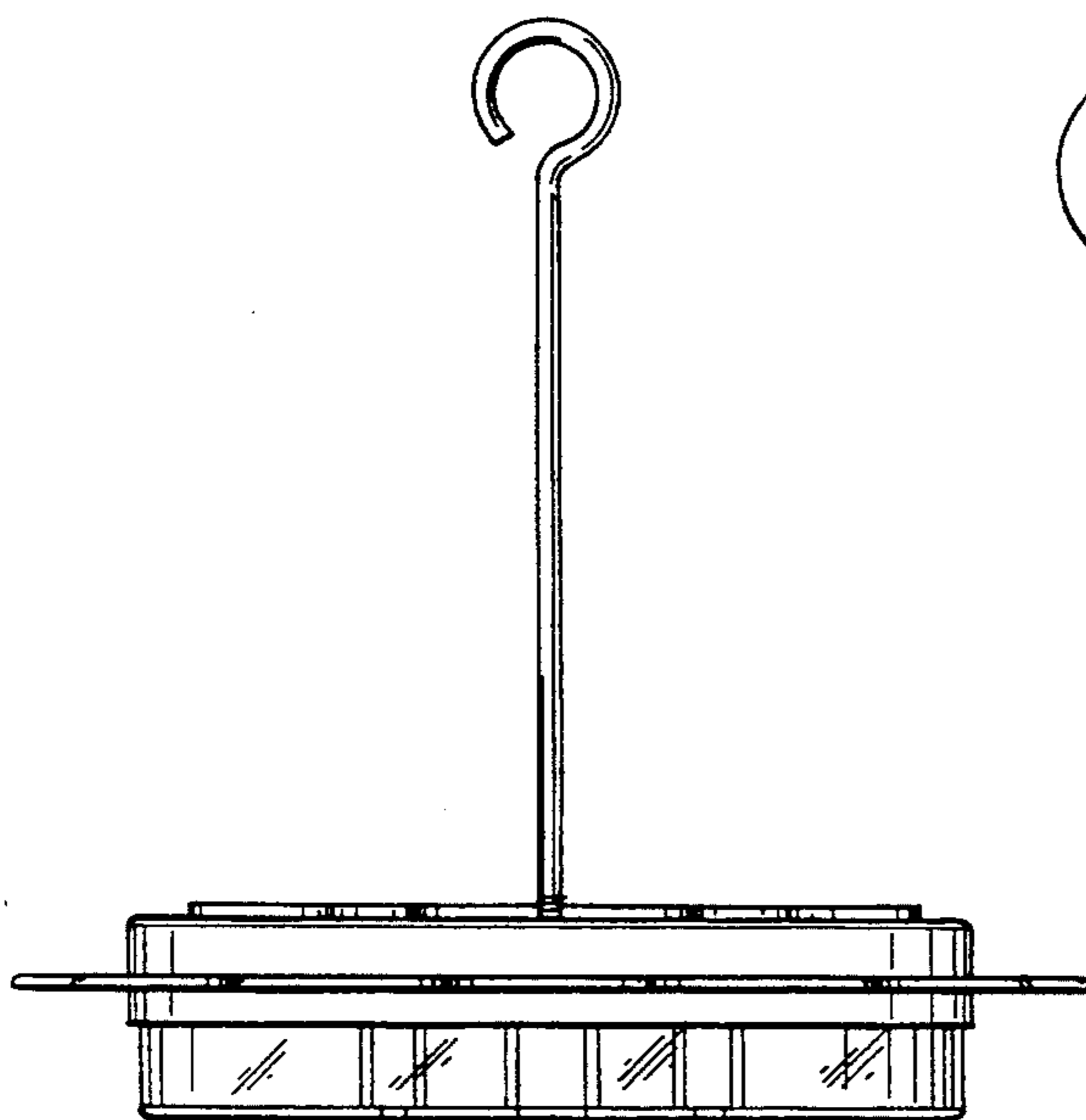


FIG. 3

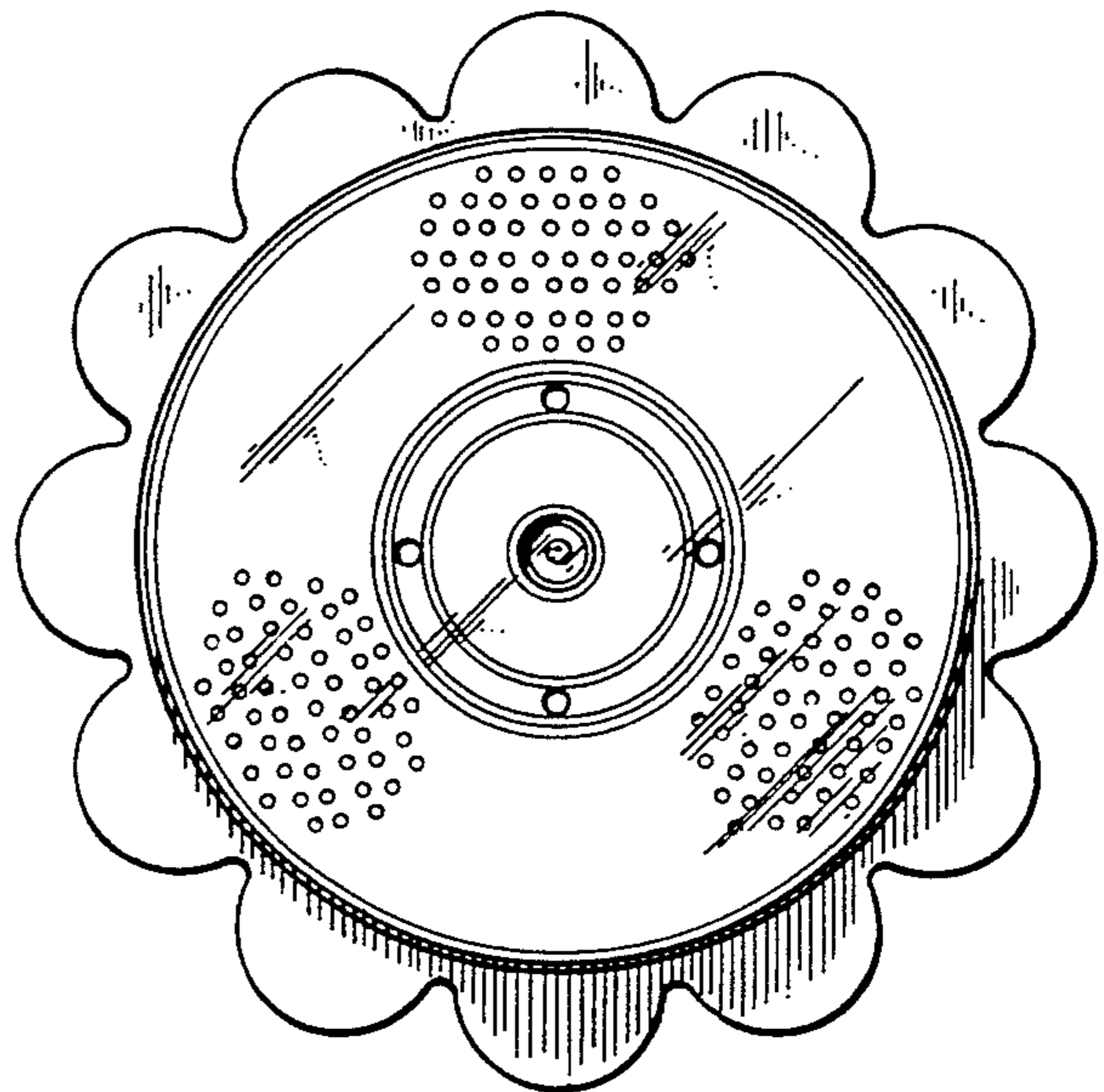


FIG. 4