



US00D352573S

United States Patent [19]

[11] Patent Number: **Des. 352,573**

Sampson et al.

[45] Date of Patent: **** Nov. 15, 1994**

[54] HORSE STALL GATE

FOREIGN PATENT DOCUMENTS

[75] Inventors: **Gerald A. Sampson**, Santa Fe Springs; **Gordon J. Sanden**, Huntington Beach; **Harold D. Sampson**, Cypress, all of Calif.

143478 1/1903 Germany 119/27
962931 7/1964 United Kingdom 119/27

OTHER PUBLICATIONS

[73] Assignee: **Allen United**, Santa Fe Springs, Calif.

Starline Inc. Catalog; Jun. 1936; Catalog No. 100; p. 61; Pen Gate.

[**] Term: **14 Years**

Primary Examiner—Cathy Anne MacCormac
Attorney, Agent, or Firm—Edgar W. Averill, Jr.

[21] Appl. No.: **11,777**

[57] CLAIM

[22] Filed: **Aug. 16, 1993**

The ornamental design for a horse stall gate, as shown and described.

[52] U.S. Cl. **D30/119; D25/152**

[58] Field of Search 119/27, 16; D30/118, D30/144; D25/53, 152, 156

DESCRIPTION

[56] References Cited

U.S. PATENT DOCUMENTS

D. 286,690	11/1986	Priefert	D30/119
1,928,819	10/1933	Neiler	119/16
2,835,223	5/1958	Erickson	119/27
3,802,393	4/1974	Naylor	119/27
4,062,322	12/1977	Dormehl	119/27
4,273,072	6/1981	Choisel	119/27

FIG. 1 is a top view of the horse stall gate showing our new design;
FIG. 2 is a left side view thereof;
FIG. 3 is a front view thereof;
FIG. 4 is a right side view thereof;
FIG. 5 is a bottom view thereof;
FIG. 6 is a back view thereof;
FIG. 7 is a top view of a second embodiment of FIG. 1;
FIG. 8 is a left side view of FIG. 7;
FIG. 9 is a front view of FIG. 7;
FIG. 10 is a right side view of FIG. 7;
FIG. 11 is a bottom view of FIG. 7; and,
FIG. 12 is a back view of FIG. 7.

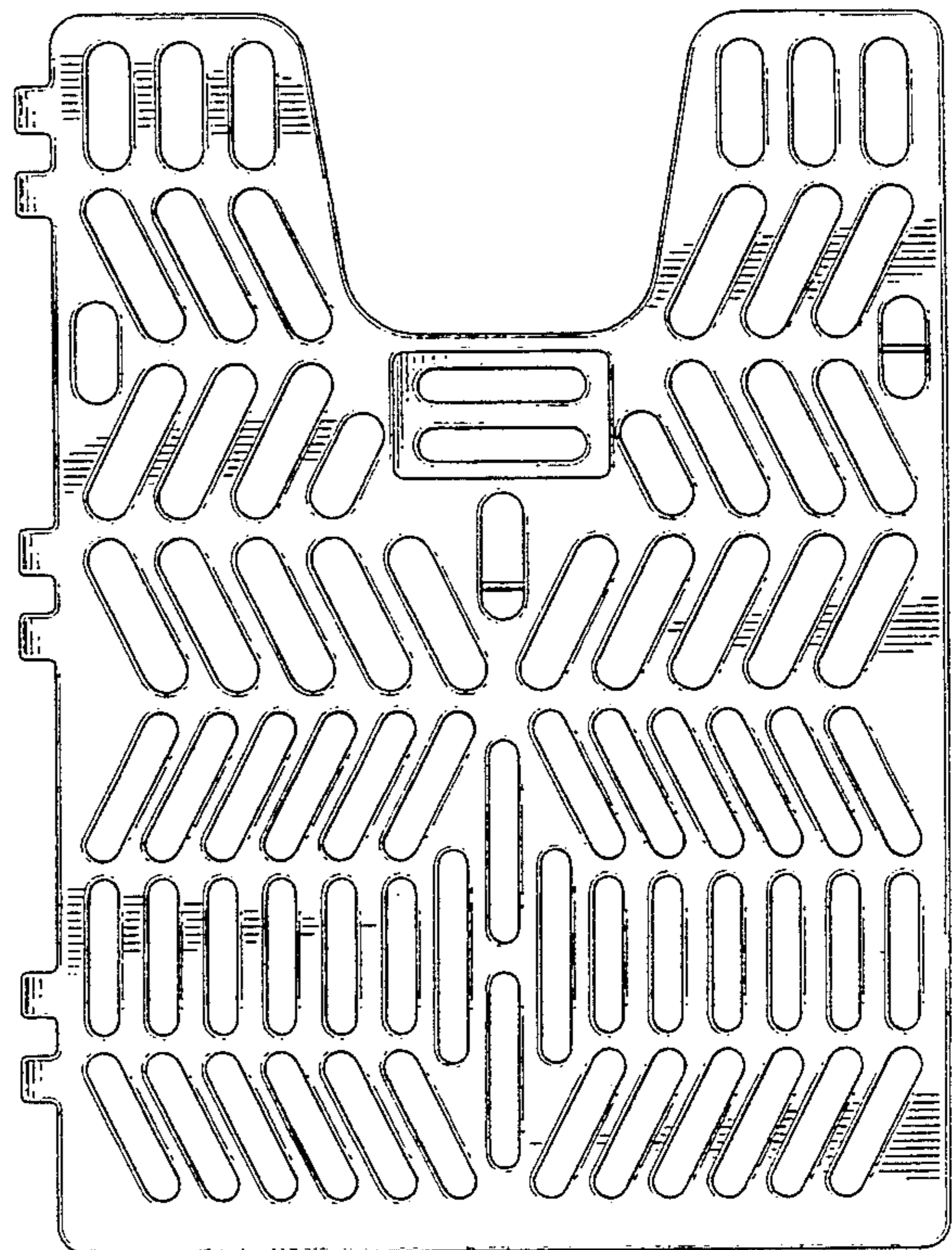
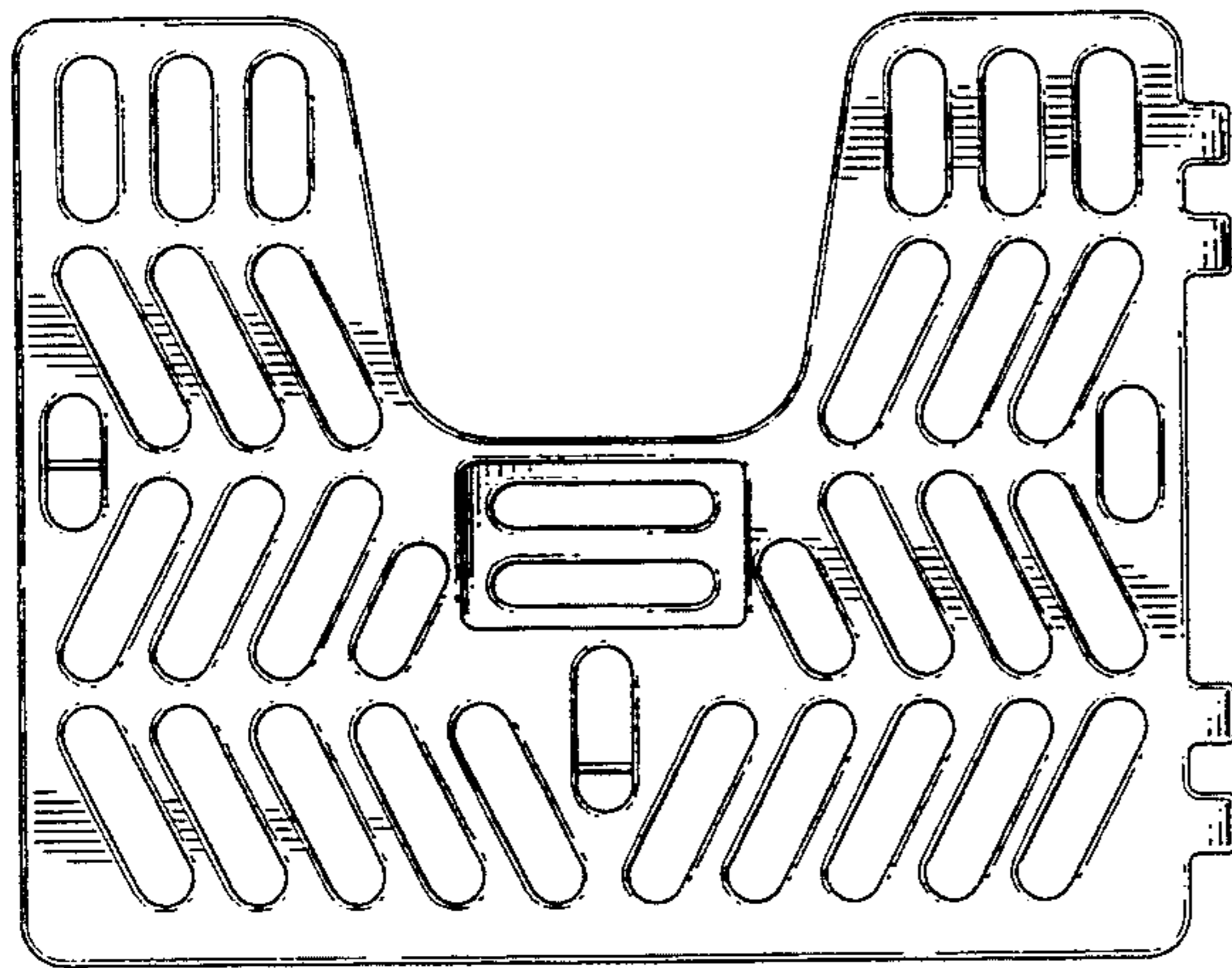


Fig. 1



Fig. 2



Fig. 4



Fig. 3

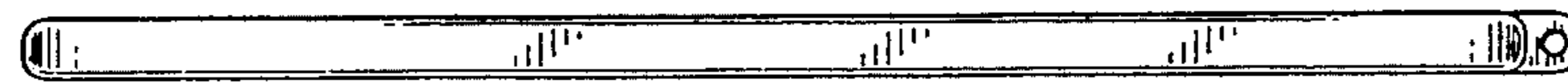
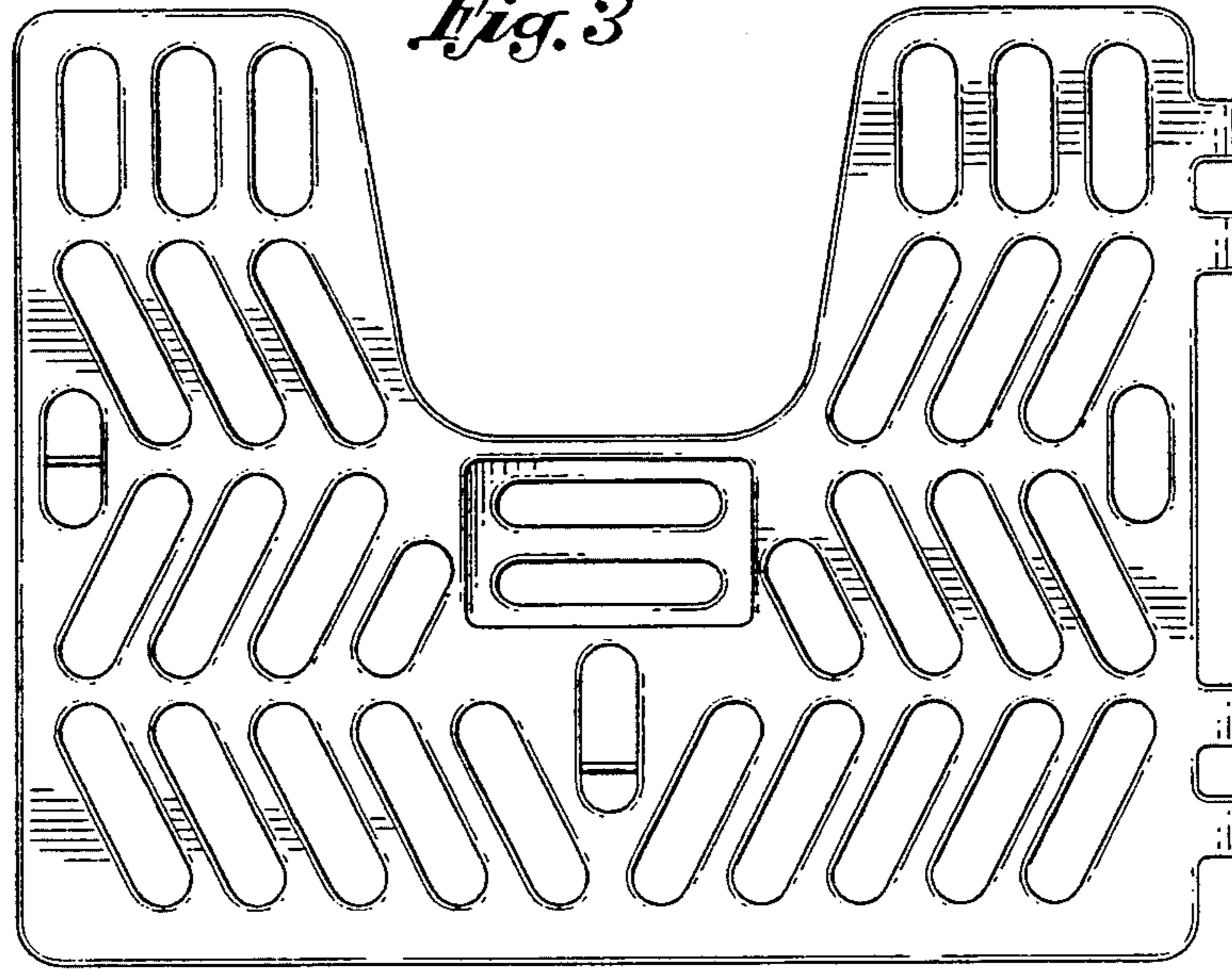


Fig. 5

Fig. 6

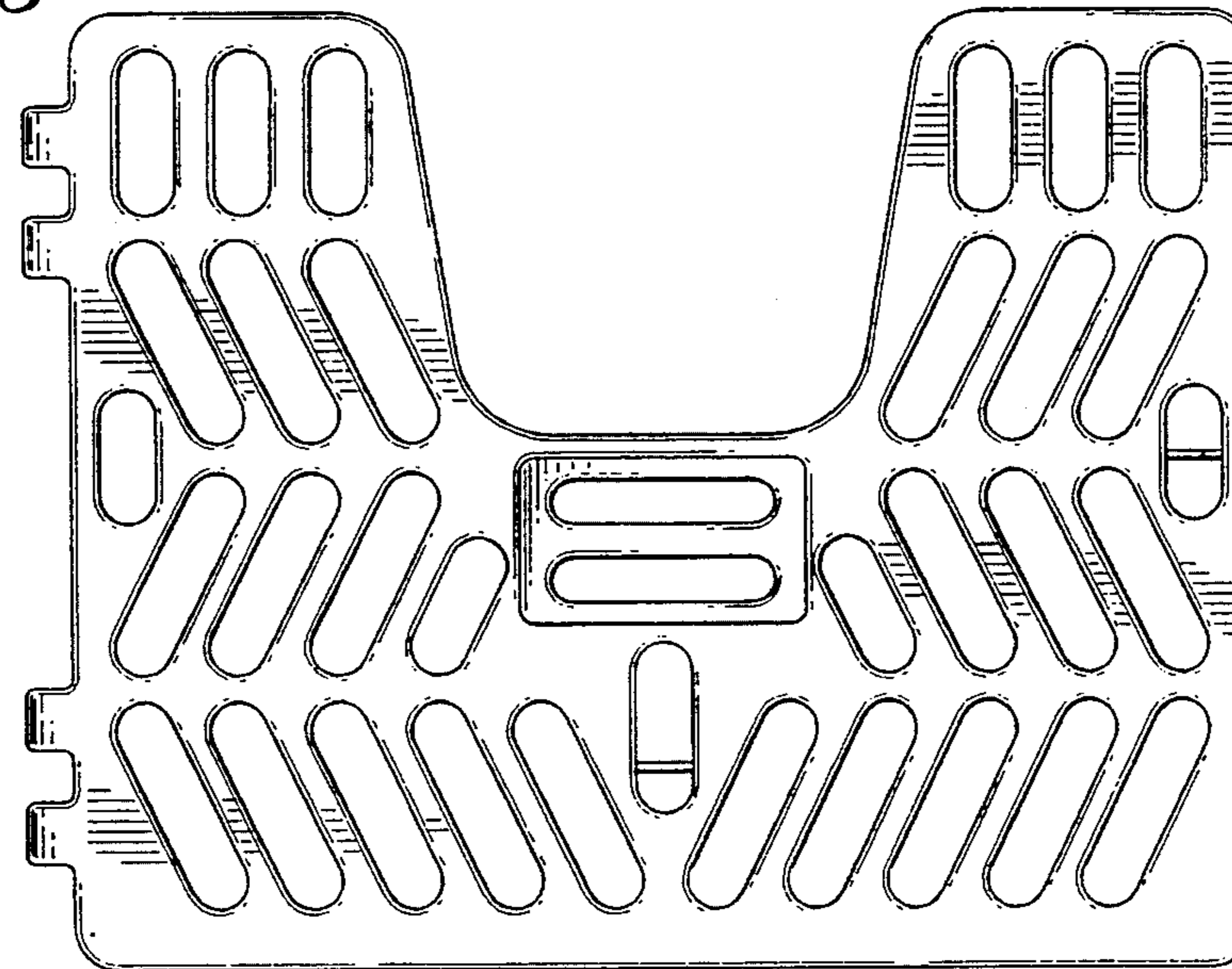


Fig. 7



Fig. 8



Fig. 9

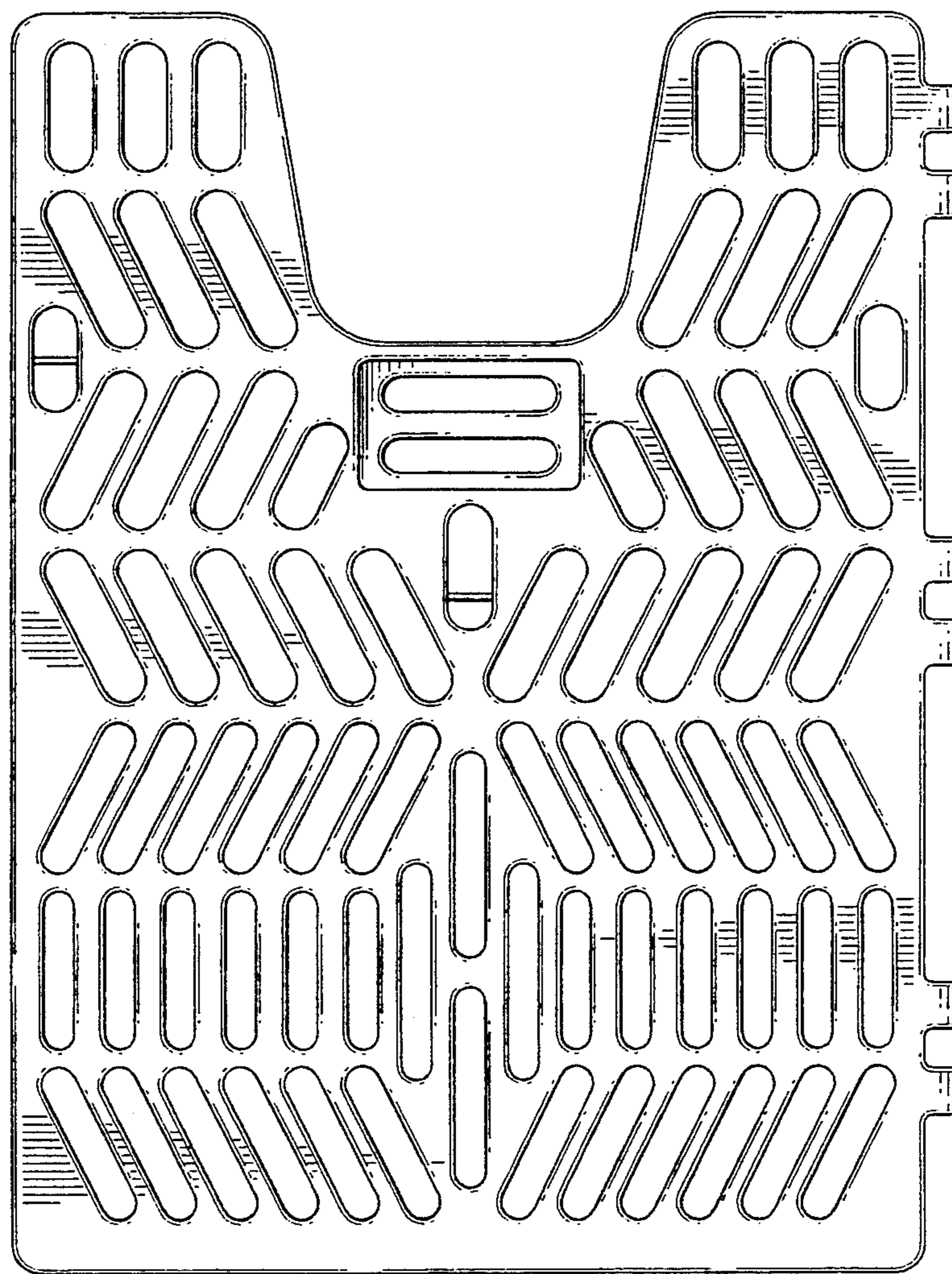


Fig. 10



Fig. 11



Fig. 12

