



US00D352572S

United States Patent [19]

Pustizzi, Jr.

[11] Patent Number: **Des. 352,572**

[45] Date of Patent: **** Nov. 15, 1994**

[54] **PAIR OF FABRIC HANDCUFFS**

[76] Inventor: **Joseph Pustizzi, Jr., P.O. Box 613, Reading, Mass. 01867**

[**] Term: **14 Years**

[21] Appl. No.: **890,473**

[22] Filed: **Jun. 1, 1992**

[52] U.S. Cl. **D29/120; D30/153**

[58] Field of Search **D2/627; 119/106, 109, 119/96; 128/876, 878, 879, 882, 883; 70/16, 30; D29/10-11; D30/153; D24/190-192**

[56] **References Cited**

U.S. PATENT DOCUMENTS

D. 237,395	7/1993	Erlenger et al.	119/96
3,480,275	11/1969	Jernstrom et al.	128/876
4,046,143	9/1977	Bell	128/882
4,422,455	12/1983	Olsen	128/878
4,688,564	8/1987	Kelly	128/878

4,949,679	8/1990	Wolfer	70/16
4,991,234	2/1991	Greenberg	D29/10

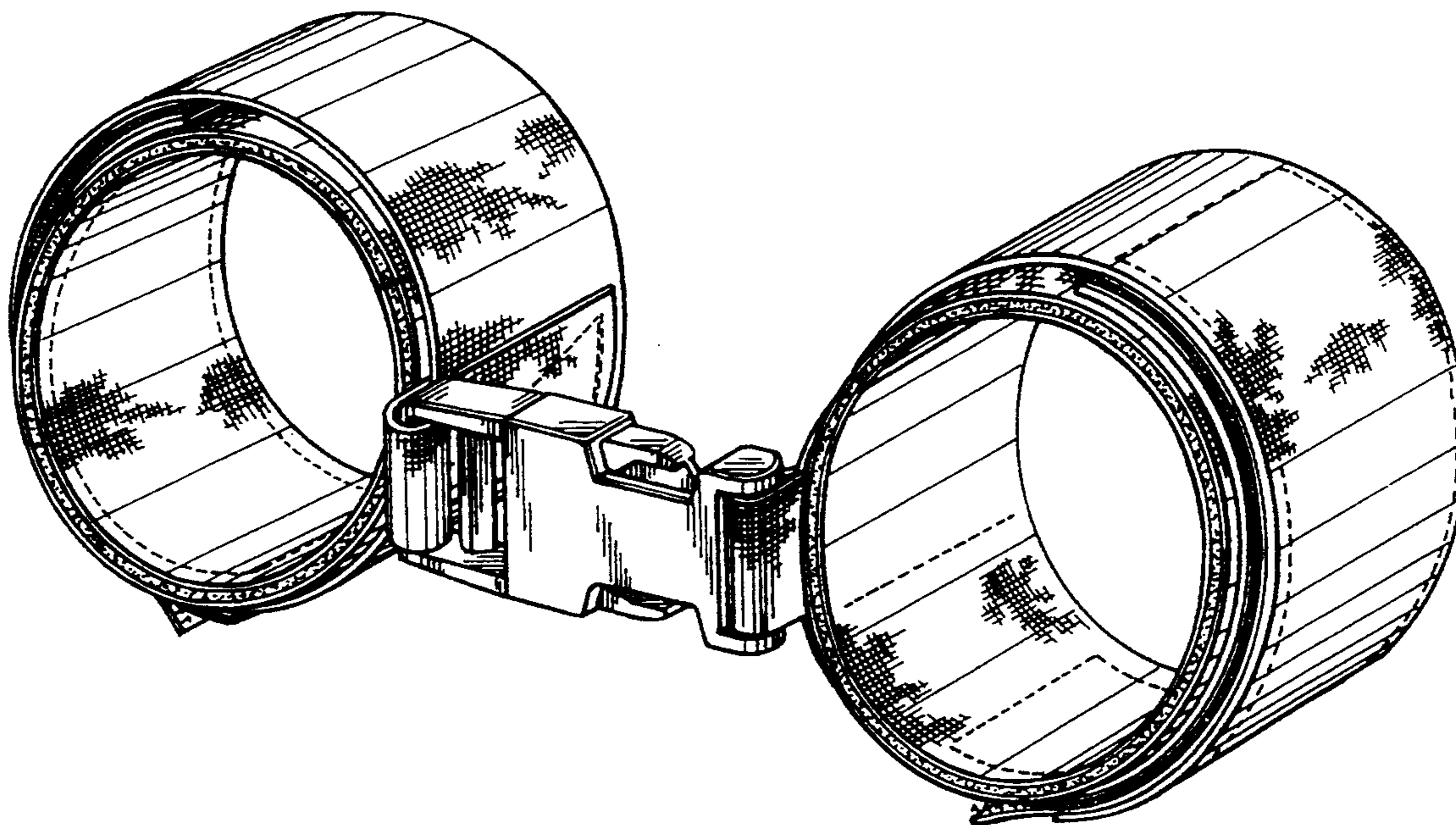
Primary Examiner—Ruth McInroy
Attorney, Agent, or Firm—Wolf, Greenfield & Sacks

[57] **CLAIM**

The ornamental design for pair of fabric handcuffs, as shown and described.

DESCRIPTION

FIG. 1 is a perspective view of a pair of fabric handcuffs showing my new design;
FIG. 2 is a front elevational view thereof;
FIG. 3 is a top plan view thereof;
FIG. 4 is an end elevational view thereof;
FIG. 5 is a rear elevational view thereof; and,
FIG. 6 is a bottom plan view thereof.
The crosshatched shading shown in FIGS. 1-6 is understood to repeat throughout the indicated area. The broken lines in FIGS. 1,3,4, and 6 are understood to represent conventional stitching.



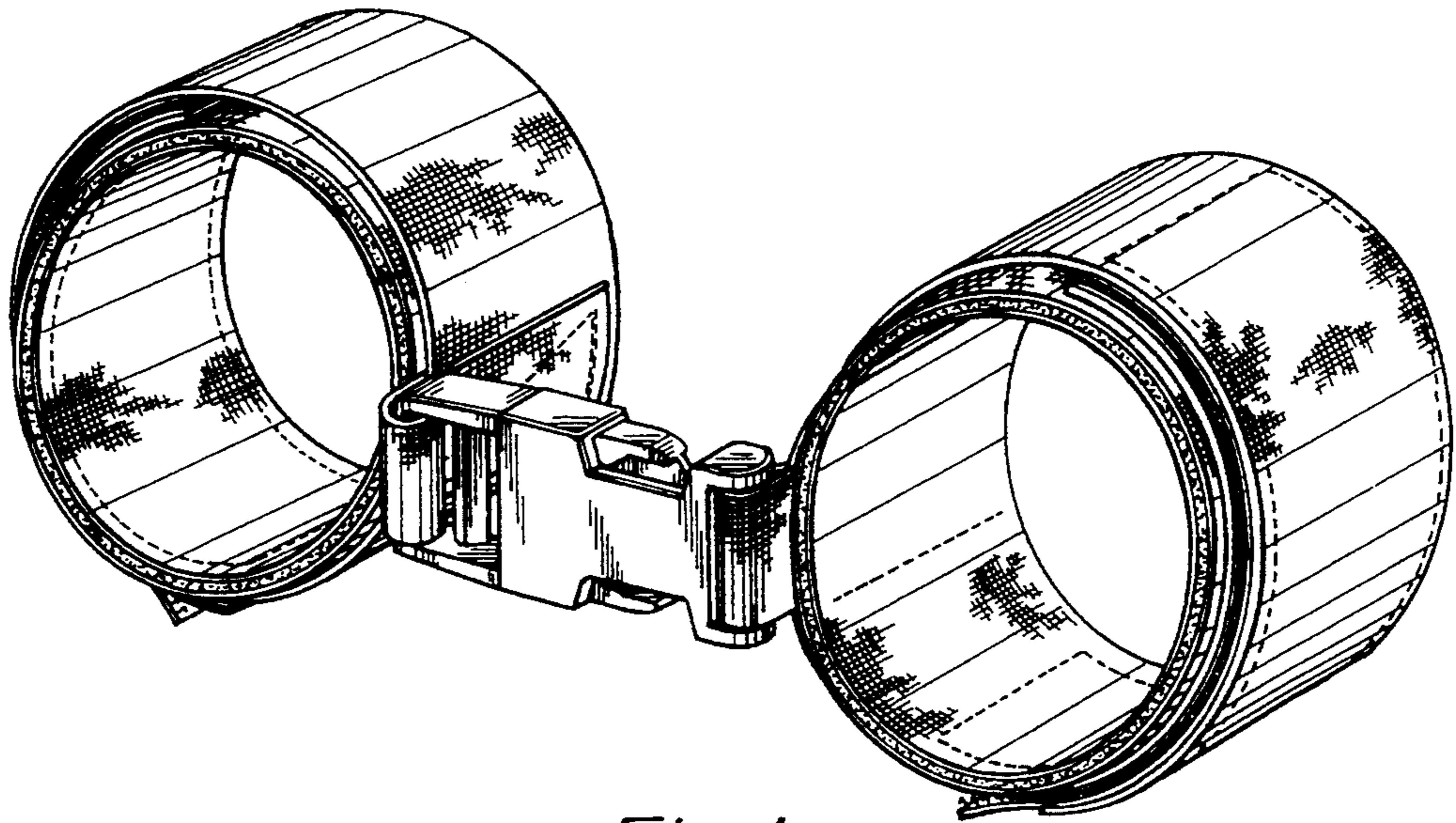


Fig. 1

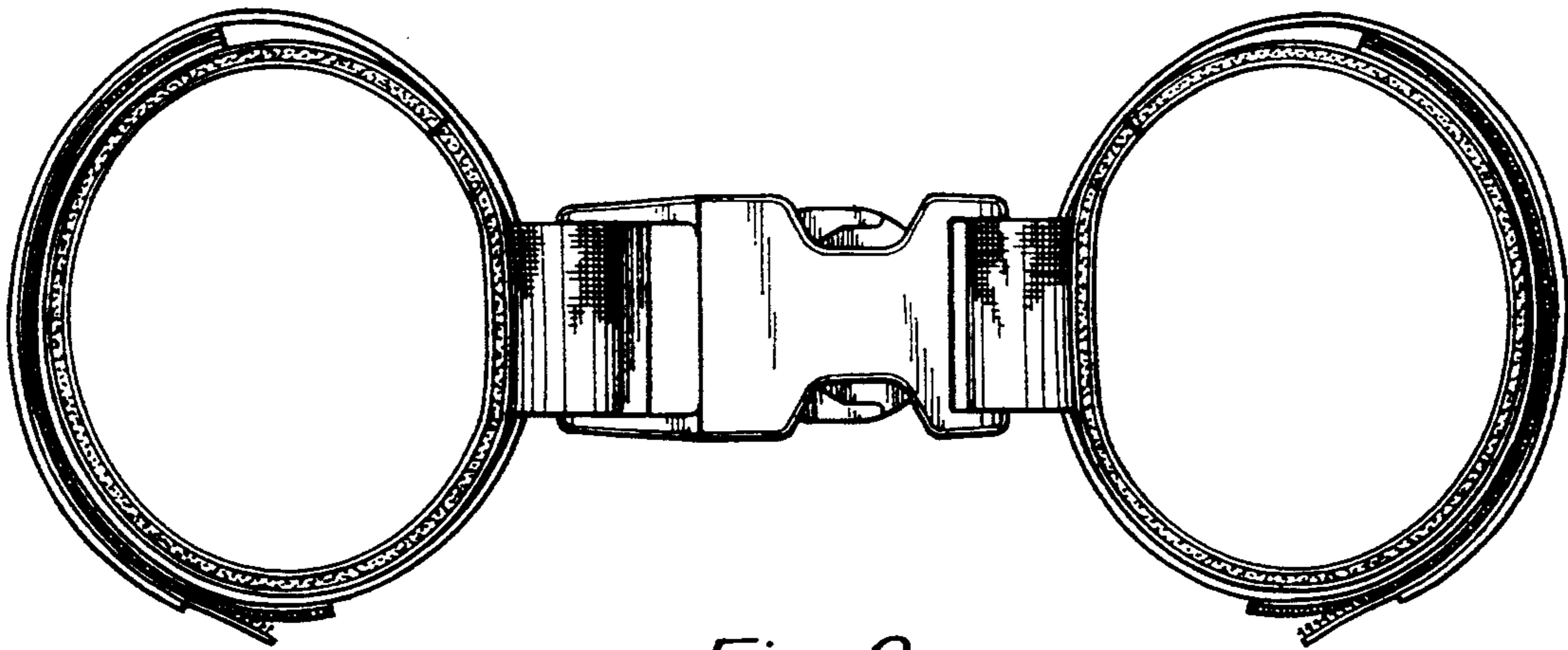


Fig. 2

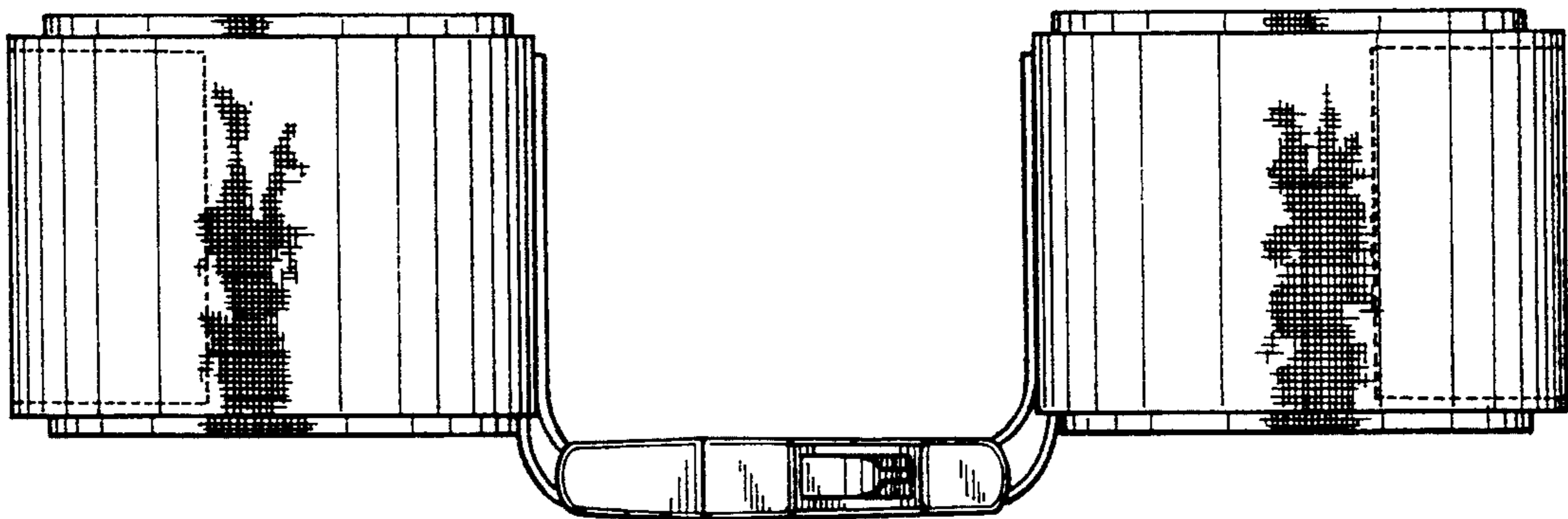


Fig. 3

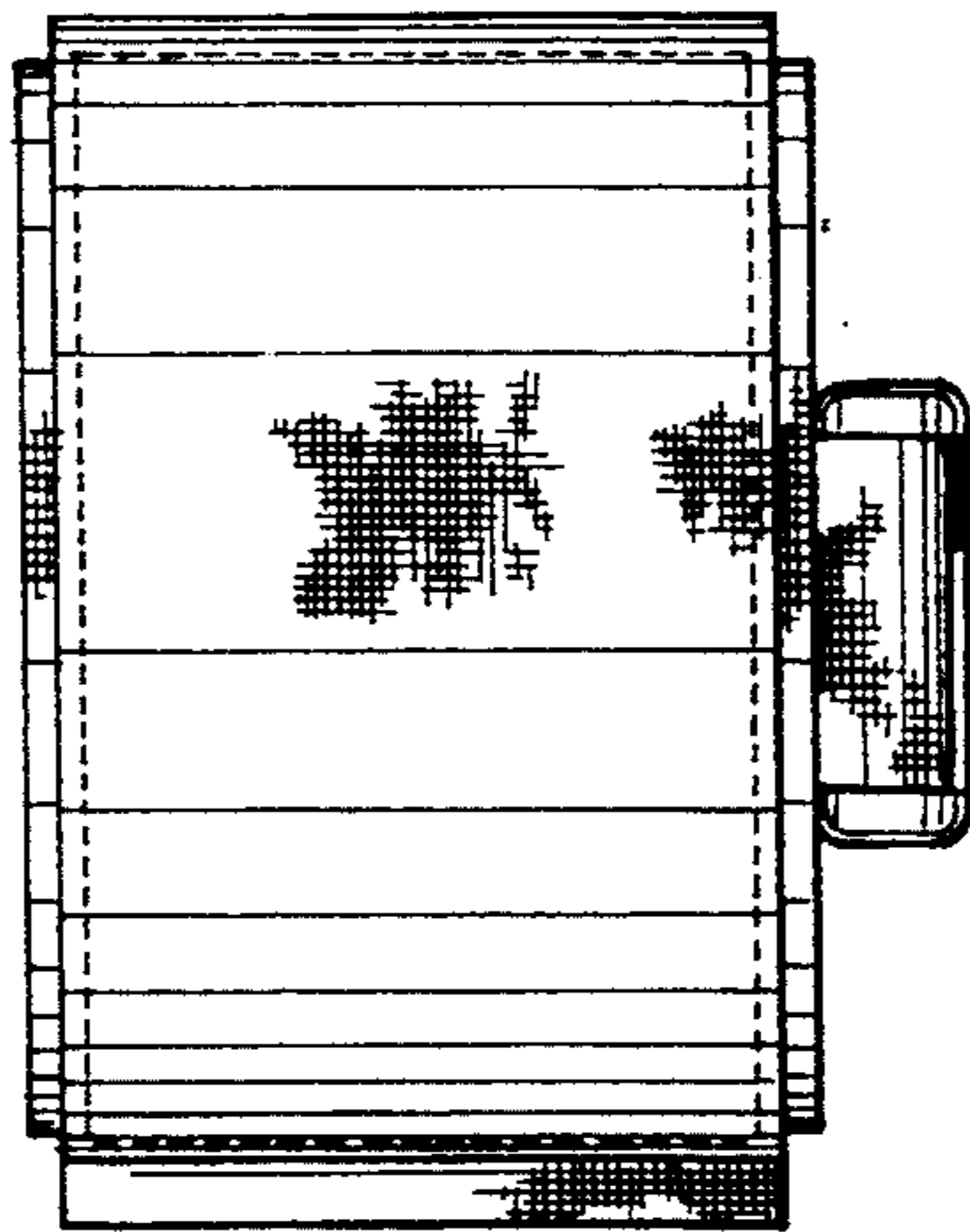


Fig. 4

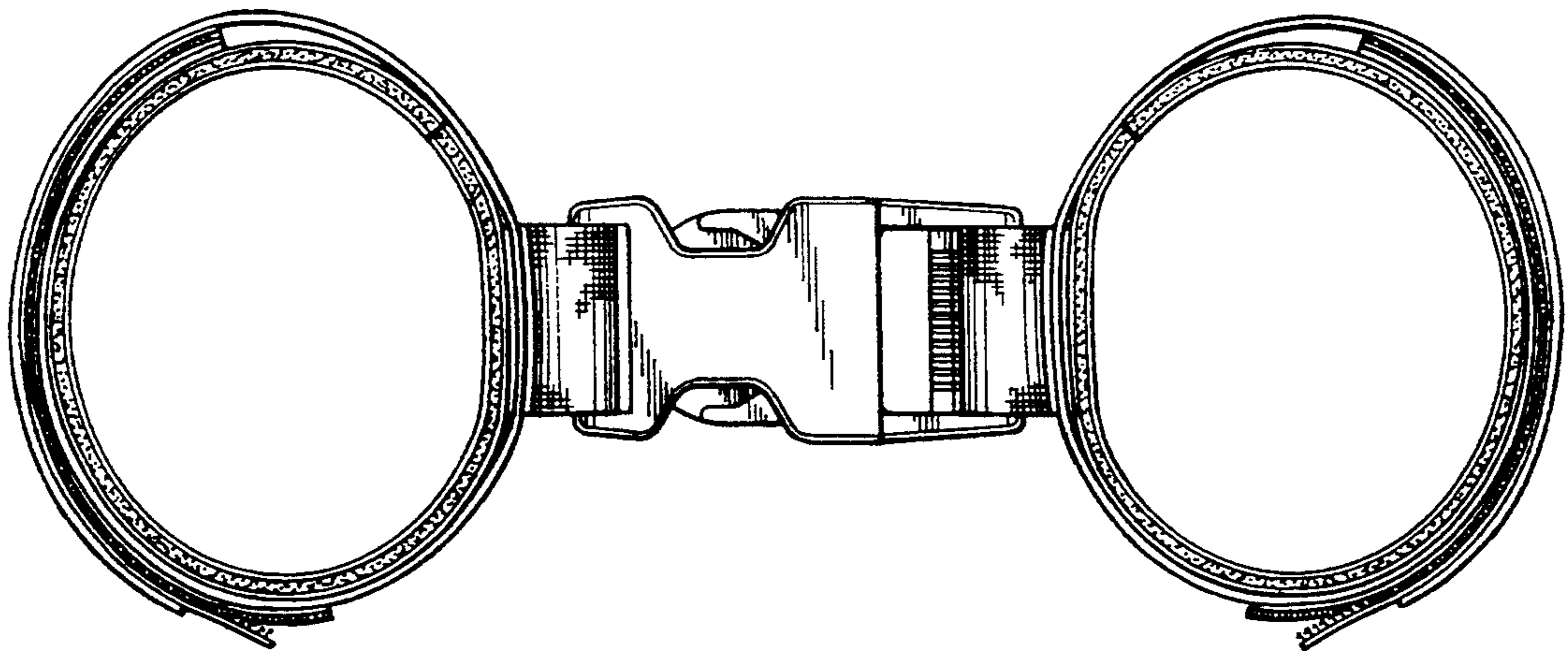


Fig. 5

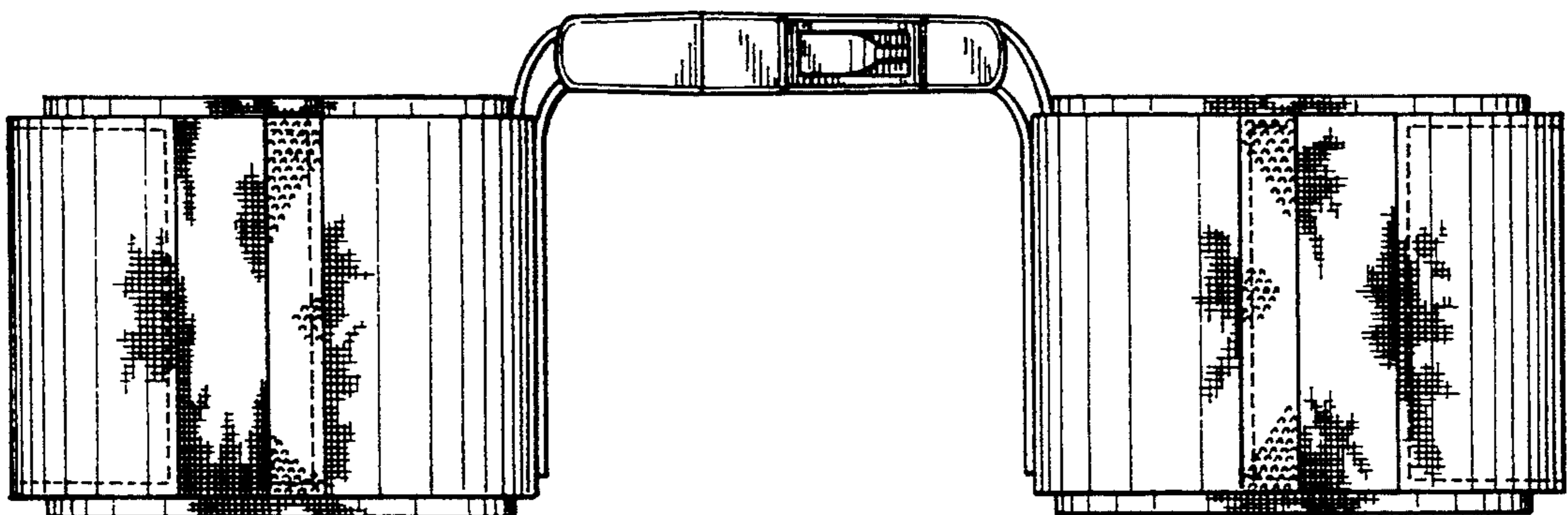


Fig. 6