



US00D352565S

**United States Patent** [19]  
**Yau**

[11] **Patent Number: Des. 352,565**  
[45] **Date of Patent: \*\* Nov. 15, 1994**

[54] **LANTERN**

[75] **Inventor: Kai Ching A. Yau, Kowloon, Hong Kong**

[73] **Assignee: Practical Products Mfy. Ltd., Kowloon, Hong Kong**

[\*\*] **Term: 14 Years**

[21] **Appl. No.: 903,989**

[22] **Filed: Jun. 24, 1992**

[30] **Foreign Application Priority Data**

Jan. 22, 1992 [GB] United Kingdom ..... 2020443

[52] **U.S. Cl. .... D26/37**

[58] **Field of Search** ..... 362/157, 158, 183, 184, 362/185, 186, 188, 189, 190, 191, 196, 197, 198, 200, 202, 205, 206, 208; D26/37-50

[56] **References Cited**

**U.S. PATENT DOCUMENTS**

D. 256,061 7/1980 Zelina ..... D26/50

D. 256,278 8/1980 Wong et al. .... D26/49  
D. 265,594 7/1982 Mann ..... D26/37  
3,456,102 7/1969 Brindley et al. .... 362/190

*Primary Examiner*—Wallace R. Burke  
*Assistant Examiner*—Marcus Jackson  
*Attorney, Agent, or Firm*—Blakely, Sokoloff, Taylor & Zafman

[57] **CLAIM**

The ornamental design for a lantern, as shown.

**DESCRIPTION**

FIG. 1 is a perspective view of the lantern from front end and right side, in a raised condition, comprising the present invention;

FIG. 2 is a top plan view thereof;

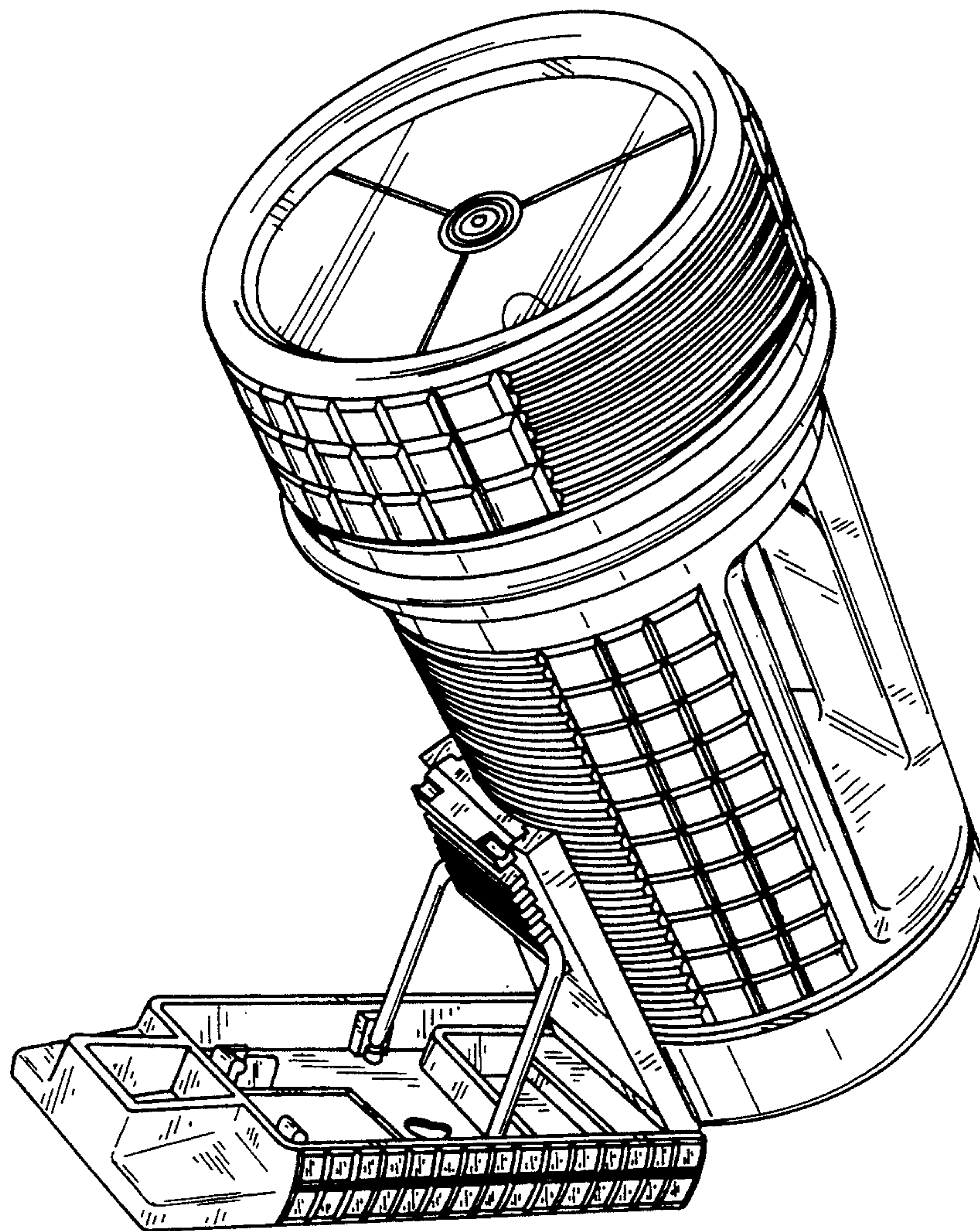
FIG. 3 is a perspective view of the front and left side thereof;

FIG. 4 is a rear elevational view thereof;

FIG. 5 is a side elevational view thereof;

FIG. 6 is a front elevational view thereof; and,

FIG. 7 is a bottom plan view thereof.



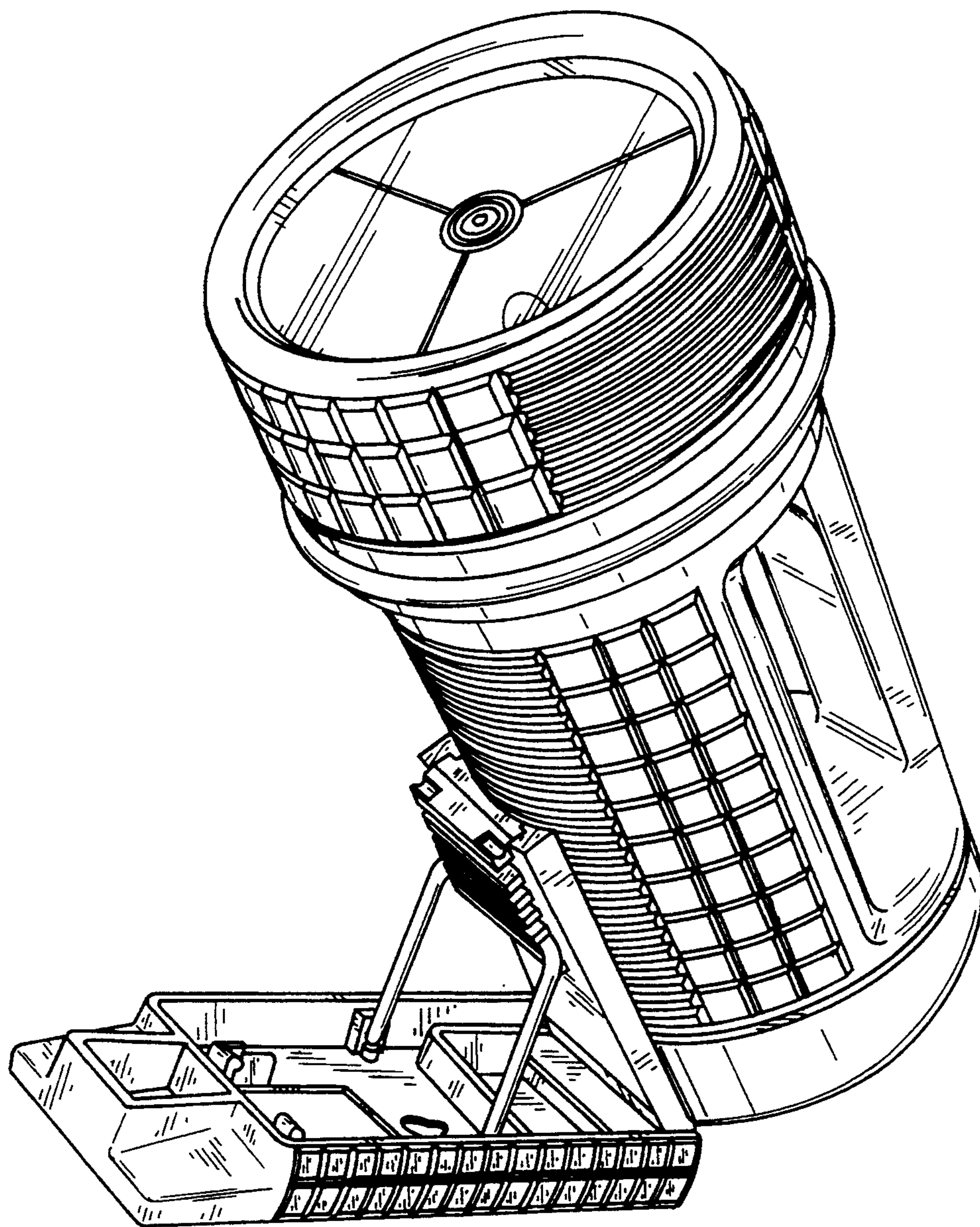


FIG. 1



FIG. 2

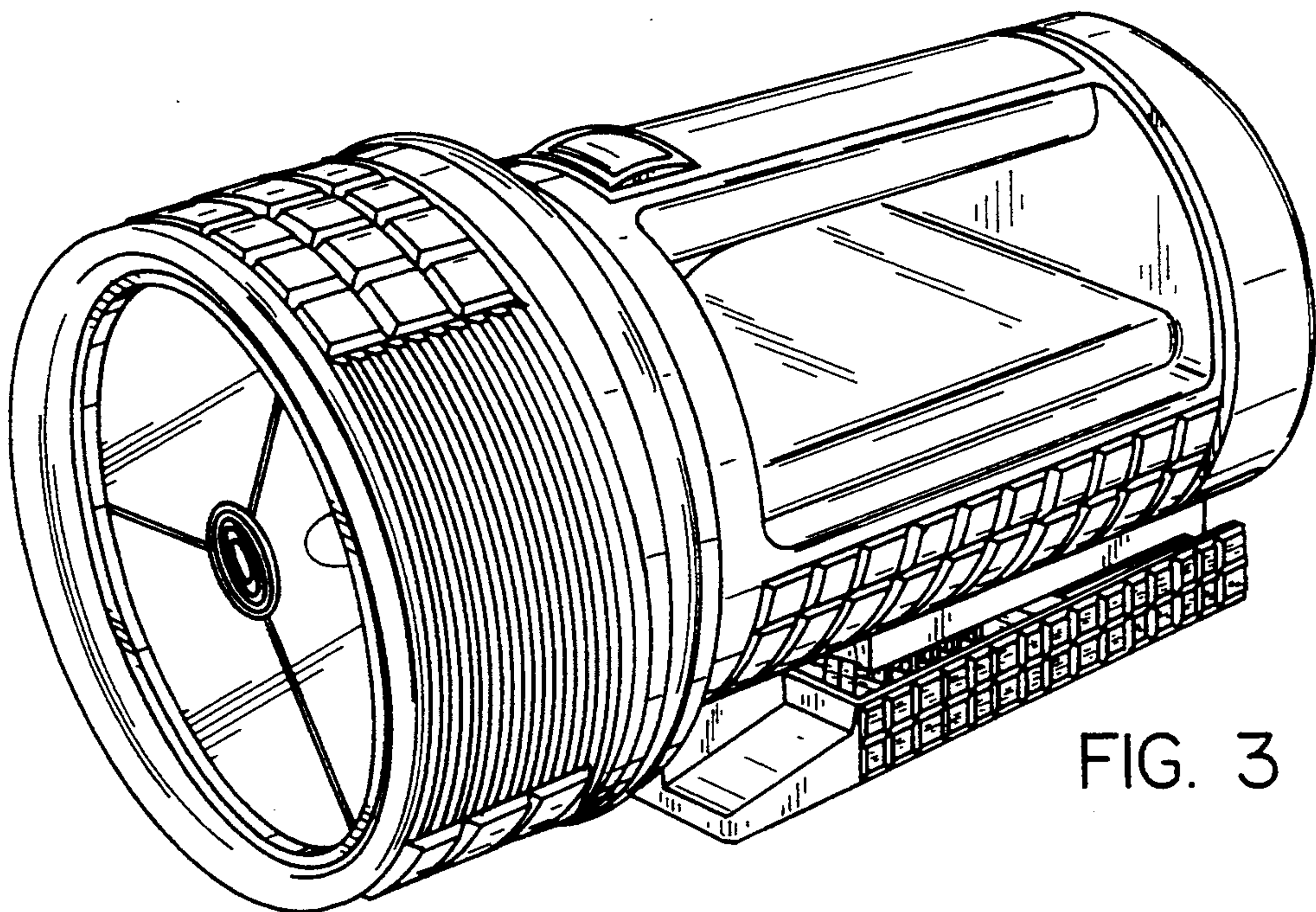
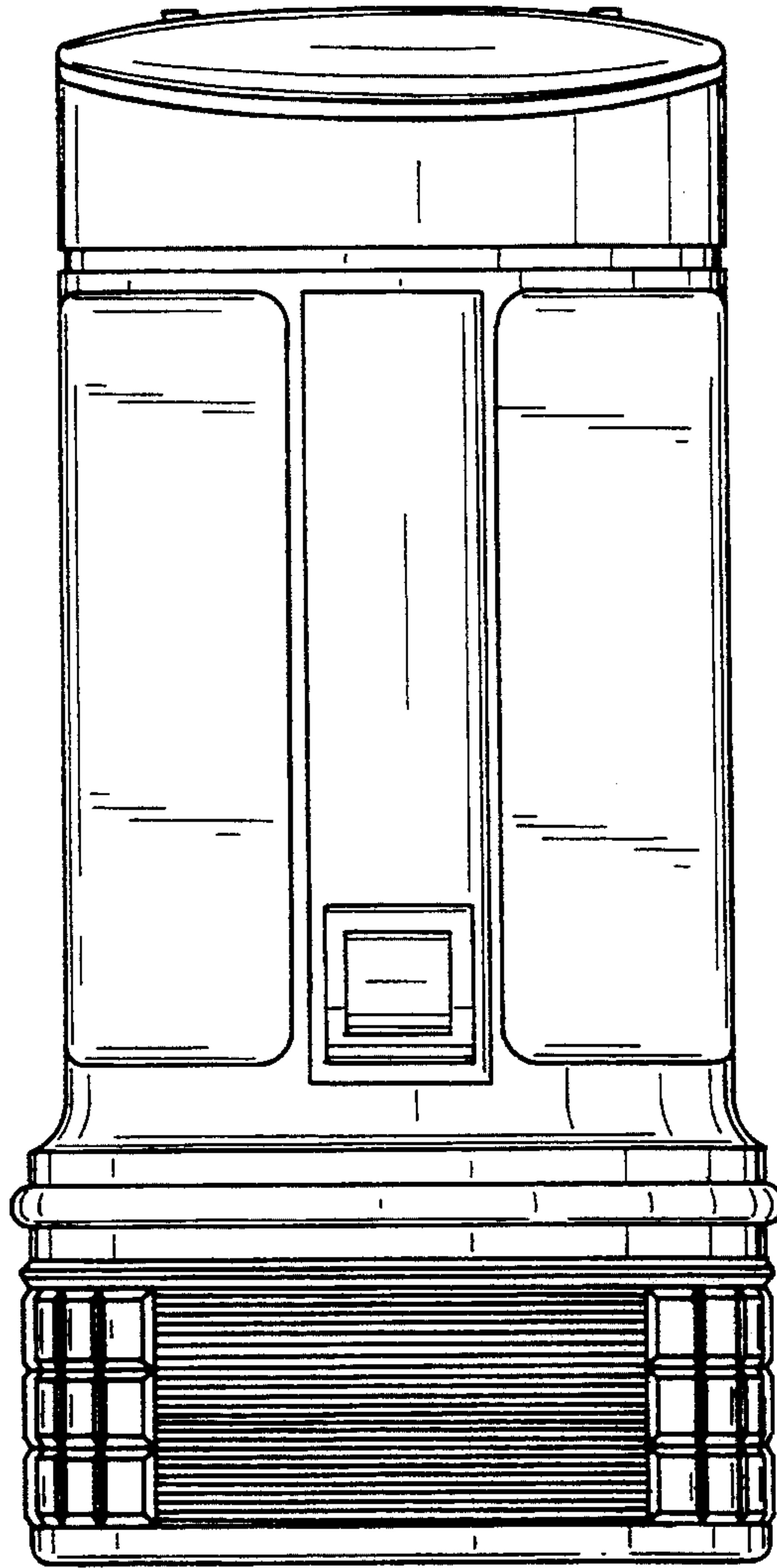


FIG. 3

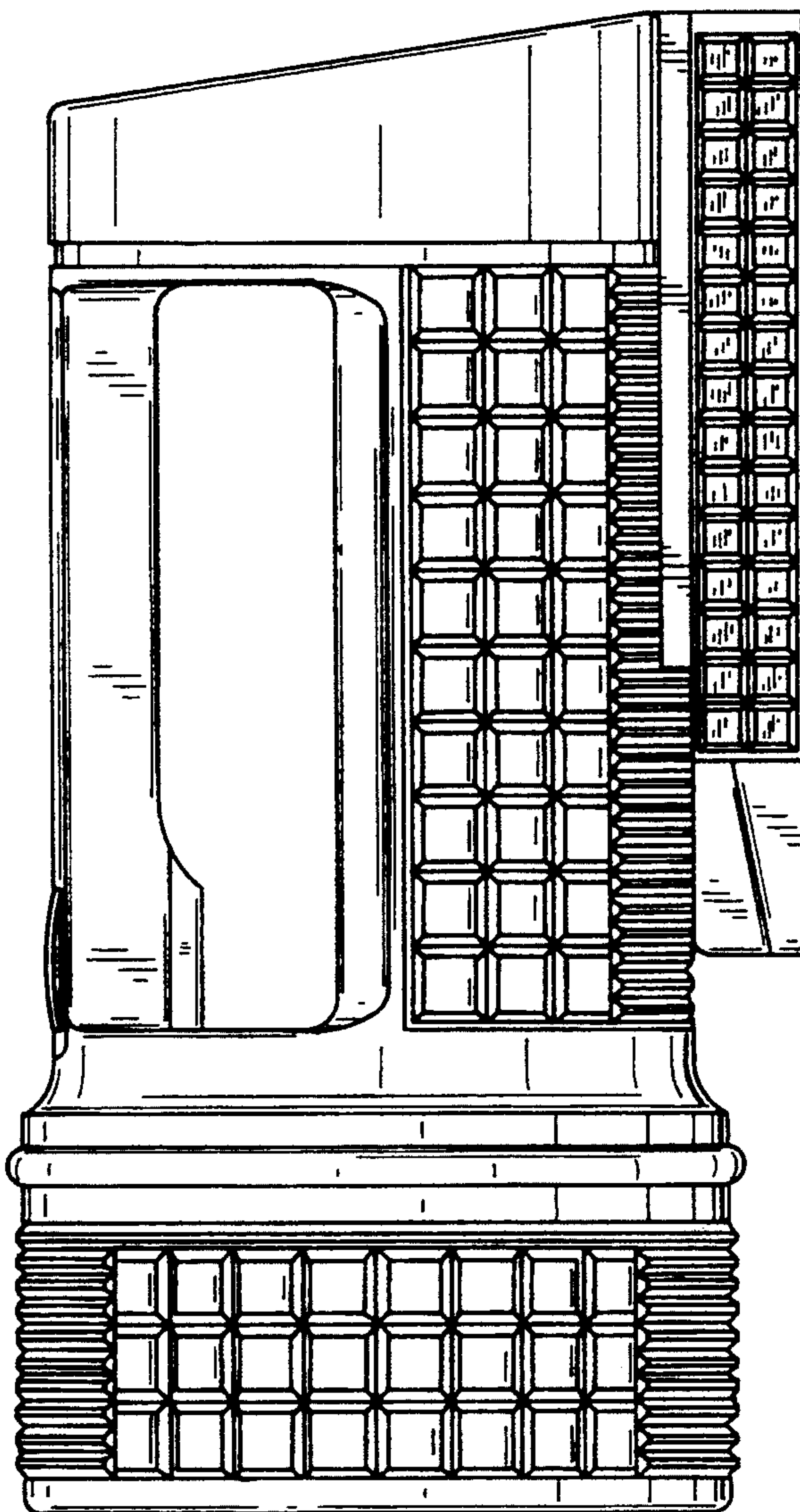


FIG. 5

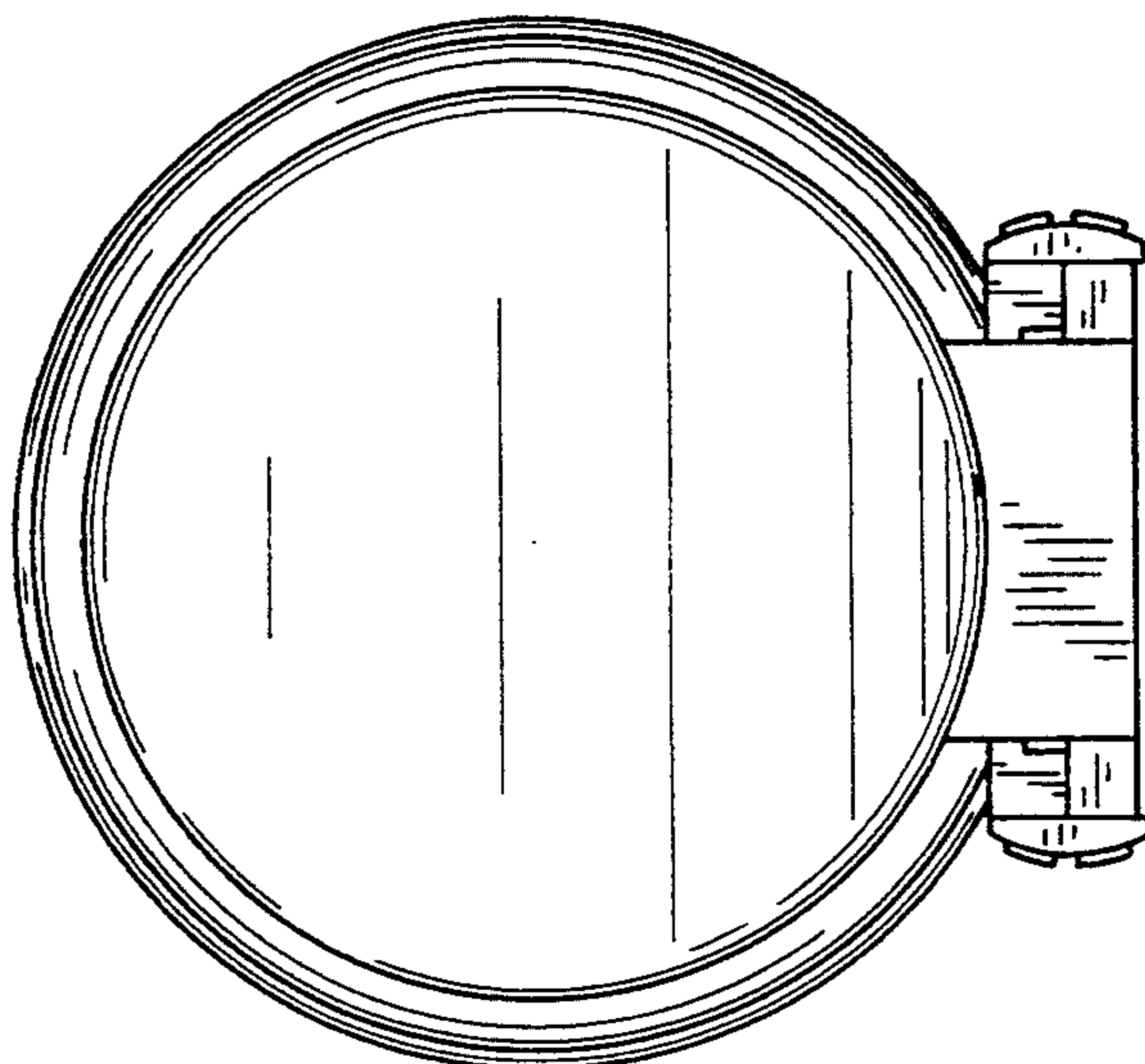


FIG. 4

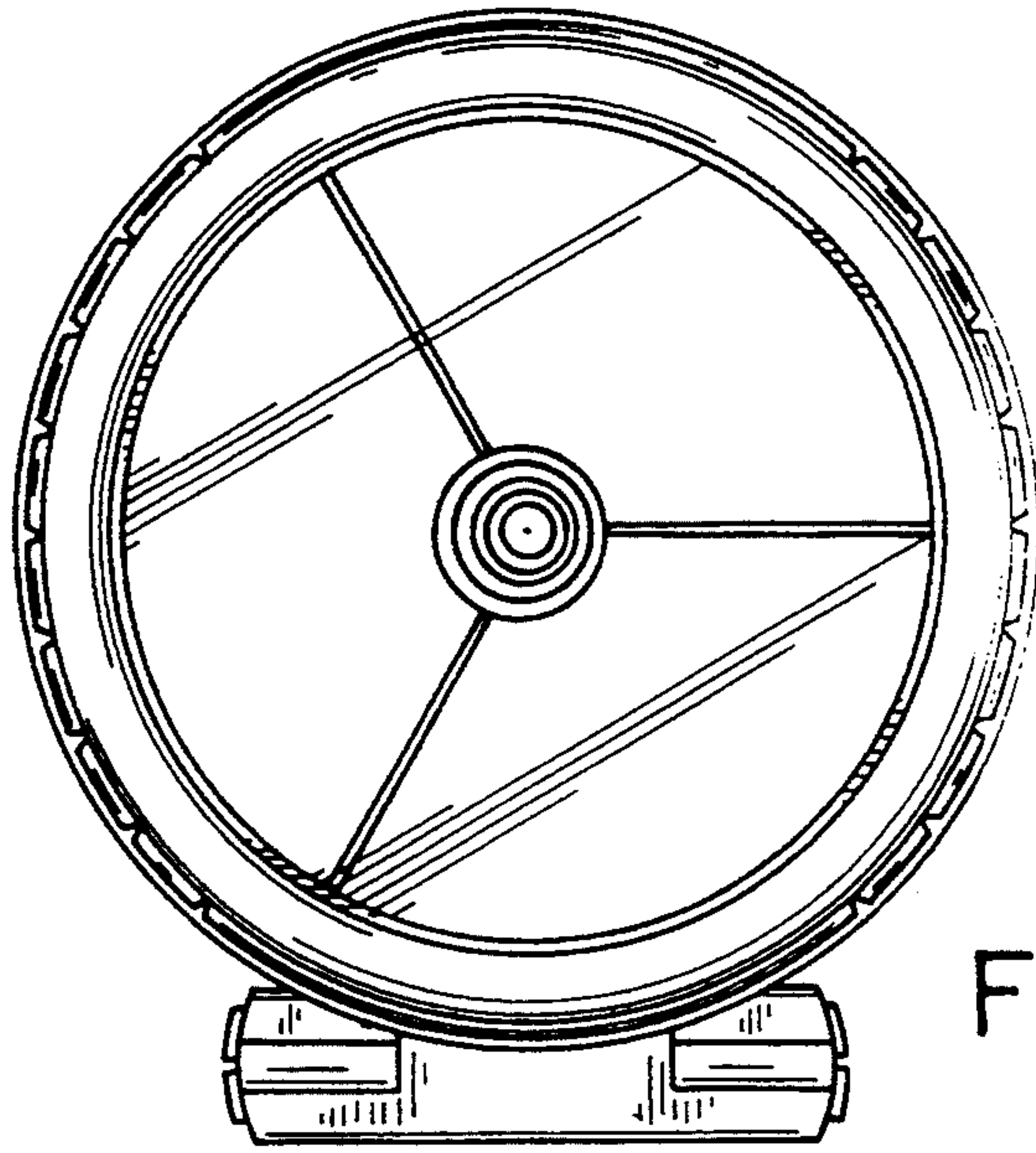


FIG. 6

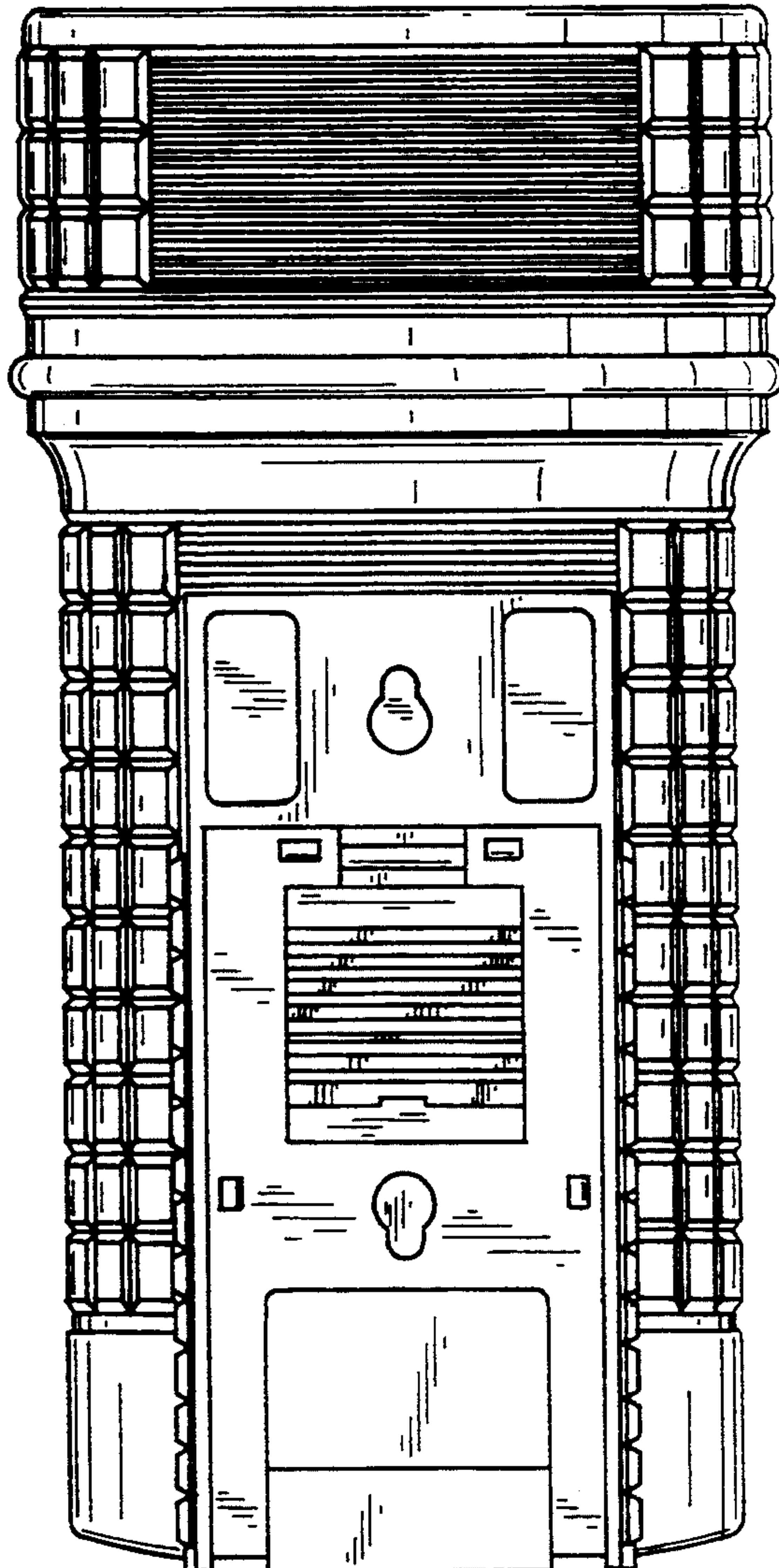


FIG. 7