



US00D352564S

United States Patent [19]

Marischen

[11] Patent Number: **Des. 352,564**

[45] Date of Patent: **** Nov. 15, 1994**

[54] ELECTROLUMINESCENT NIGHT LIGHT

[75] Inventor: **Joseph E. Marischen**, Austin, Tex.

[73] Assignee: **Austin Innovations, Inc.**, Austin, Tex.

[**] Term: **14 Years**

[21] Appl. No.: **3,879**

[22] Filed: **Jan. 21, 1993**

[52] U.S. Cl. **D26/26; D26/72**

[58] Field of Search **362/147, 226, 84, 432, 362/362; 340/321, 367; D26/26, 24, 85, 72**

[56] References Cited

U.S. PATENT DOCUMENTS

3,061,716	10/1962	Benander	362/226
3,121,817	2/1964	Saviers	362/367 X
3,307,030	2/1967	De Francisco	362/226
4,323,953	4/1982	Hutchison	362/226
4,549,250	10/1985	Spector	362/226 X
4,841,288	6/1989	Addicks	340/321 X

FOREIGN PATENT DOCUMENTS

2128313A	4/1984	United Kingdom	D26/26
----------	--------	----------------	-------	--------

OTHER PUBLICATIONS

Barrie Lighting Elan Wall Light AD, Wall Light. Six Photographs of Panelscent Nite-Lite by Sylvania (Jan. 21, 1993).

Primary Examiner—Susan J. Lucas
Attorney, Agent, or Firm—David M. Sigmond

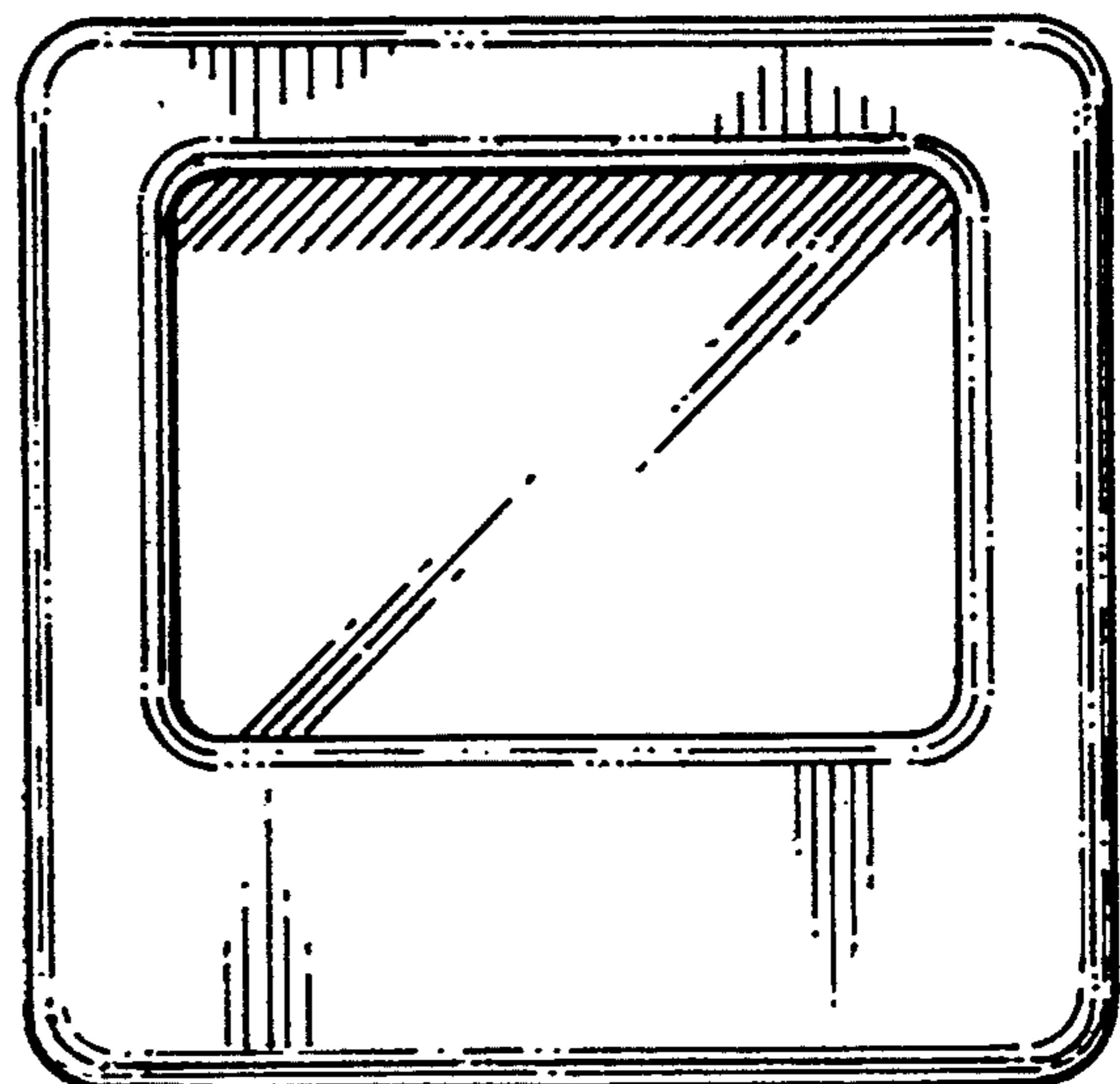
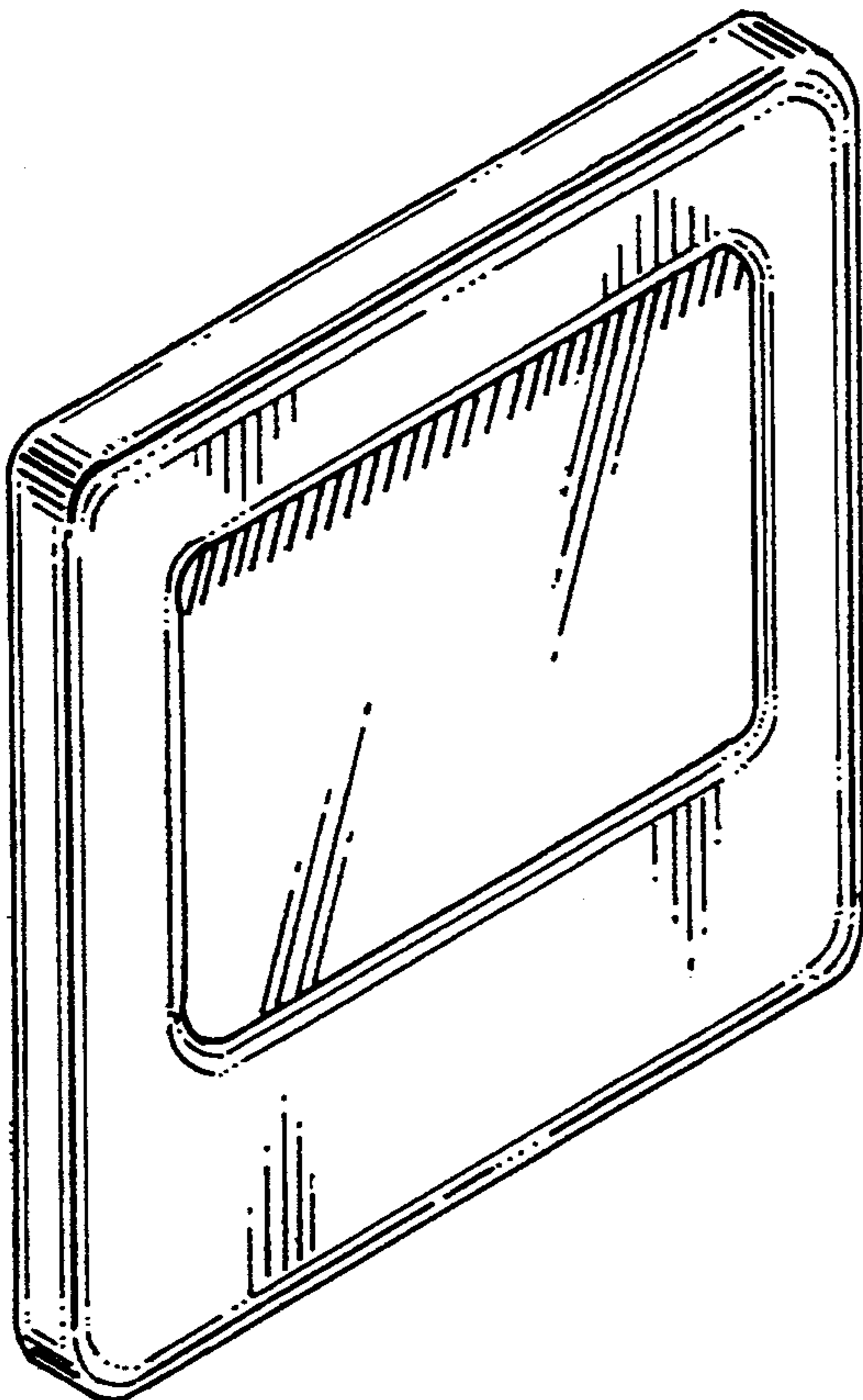
[57] CLAIM

The ornamental design for an electroluminescent night light, as shown.

DESCRIPTION

FIG. 1 is a perspective view of an electroluminescent night light showing my new design; FIG. 2 is a front elevational view of the electroluminescent night light of FIG. 1; FIG. 3 is a side elevational view of the electroluminescent night light of FIG. 1; and, FIG. 4 is a top plan view of the electroluminescent night light of FIG. 1.

The rear of the electroluminescent night light housing is flat and plain except for the electrical connector prongs. The prongs extend from the enlarged lower portion of the housing under the recess. The prongs extend a greater distance from the housing than the thickness of the housing.



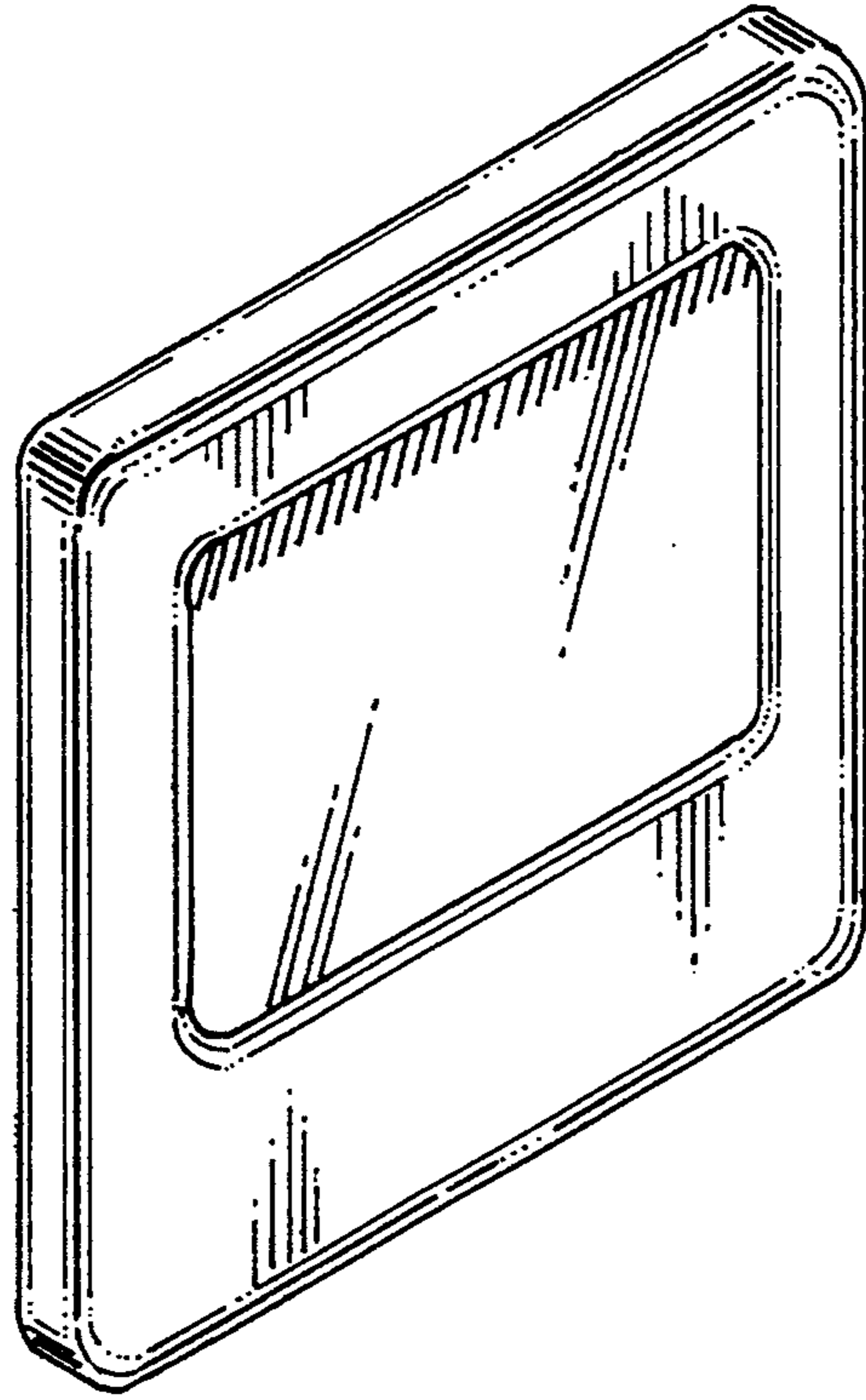


Fig. 1

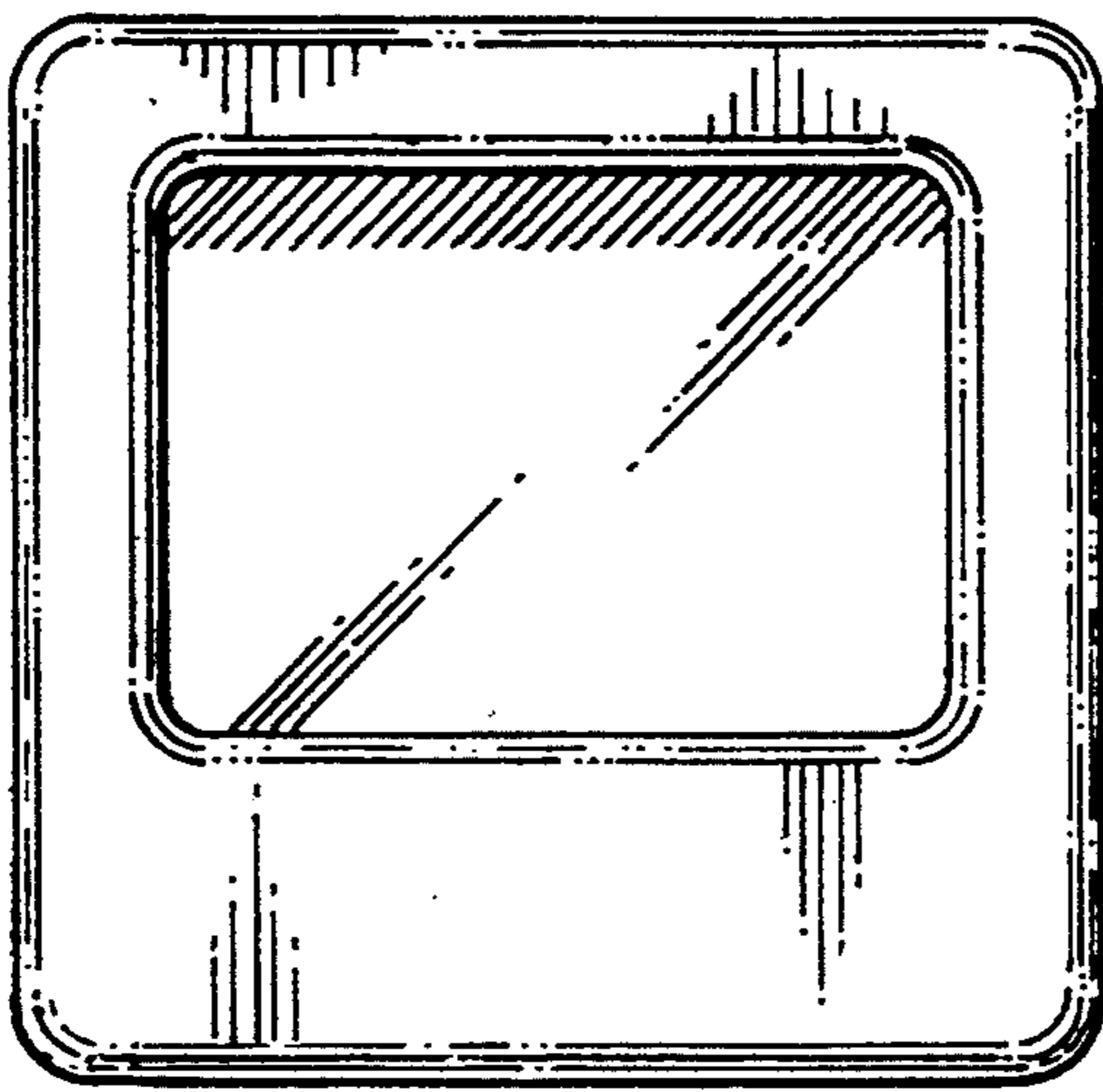


Fig. 2



Fig. 3

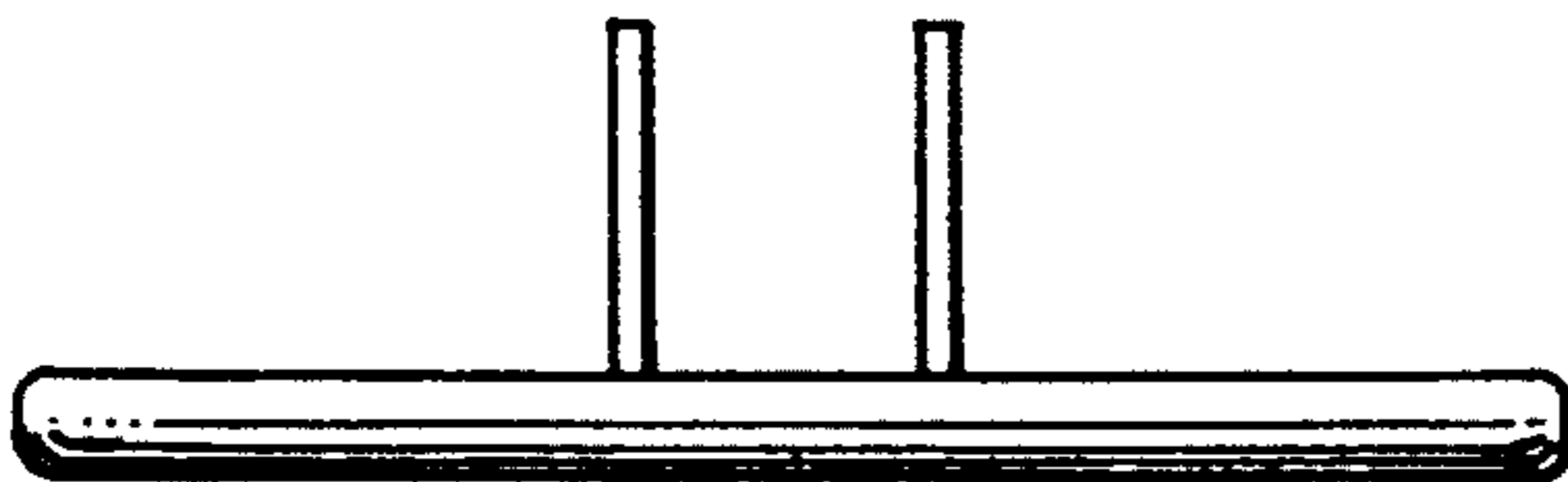


Fig. 4