



US00D352562S

United States Patent [19]
Horton

[11] **Patent Number: Des. 352,562**
[45] **Date of Patent: ** Nov. 15, 1994**

[54] **CHRISTMAS TREE LIGHT SYSTEM**

[76] **Inventor: Lawrence B. Horton, 1570 N. 1500 W., Provo, Utah 84604**

[**] **Term: 14 Years**

[21] **Appl. No.: 1,675**

[22] **Filed: Nov. 20, 1992**

[52] **U.S. Cl. D26/25**

[58] **Field of Search 362/806, 249, 252, 396; D26/25**

4,228,486 10/1980 Matsuya 362/806 X
4,852,832 8/1989 Delaney .
5,024,406 6/1991 Kertcham .

Primary Examiner—Susan J. Lucas
Attorney, Agent, or Firm—Terry M. Gernstein

[57] **CLAIM**

The ornamental design for a christmas tree light system, as shown and described.

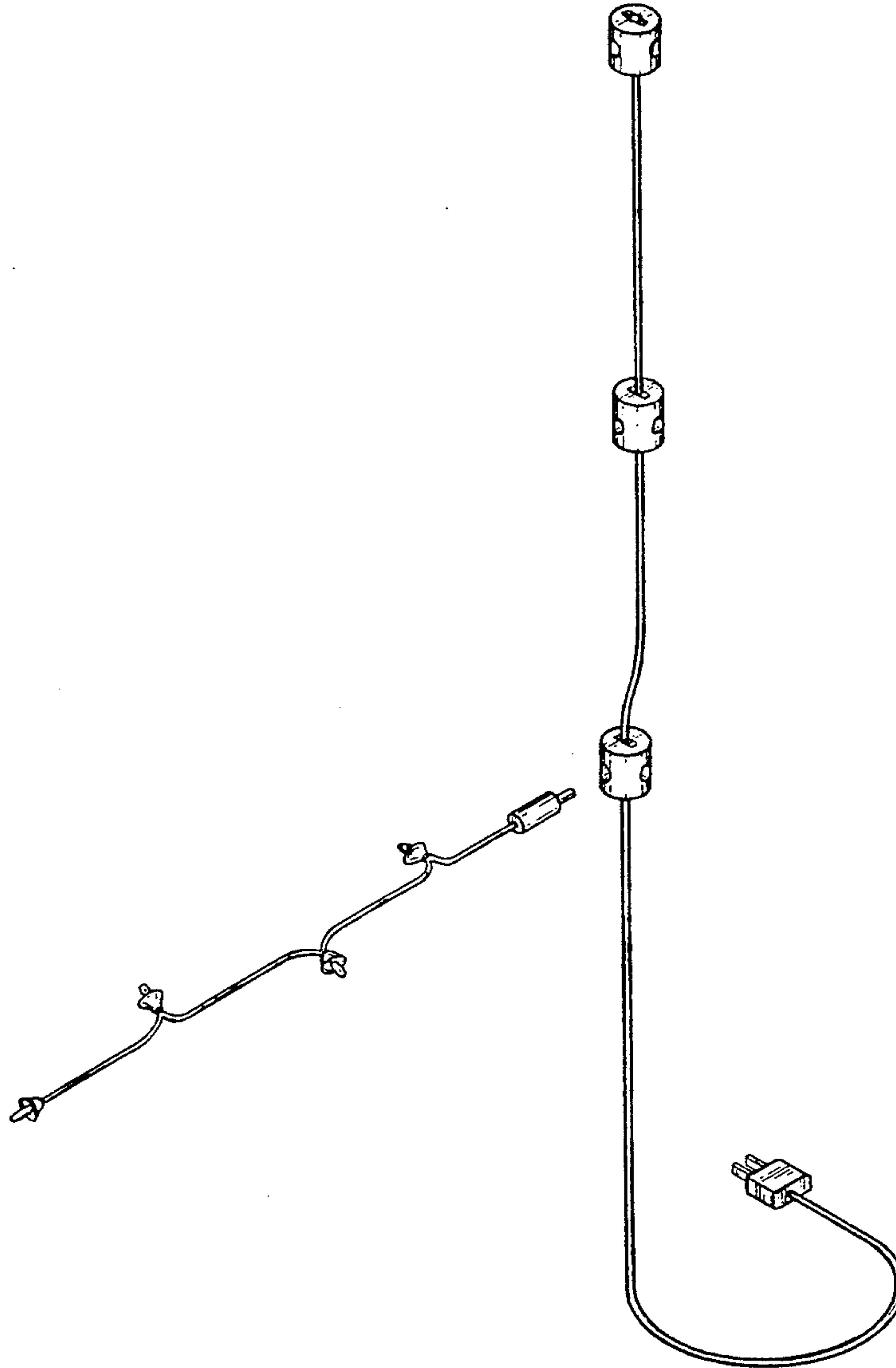
DESCRIPTION

FIG. 1 is a front, top and side perspective view of the christmas tree light system showing my new design; FIG. 2 is a front elevational view thereof; FIG. 3 is a rear elevational view thereof; FIG. 4 is a side elevational view thereof; FIG. 5 is a side elevational view thereof; FIG. 6 is a top plan view thereof; and, FIG. 7 is a bottom plan view thereof.

[56] **References Cited**

U.S. PATENT DOCUMENTS

D. 181,034 9/1957 Bossi .
2,453,925 11/1948 Mendonca 362/806 X
2,572,382 10/1951 Peterson 362/396
2,657,367 10/1953 Brooks 362/396 X



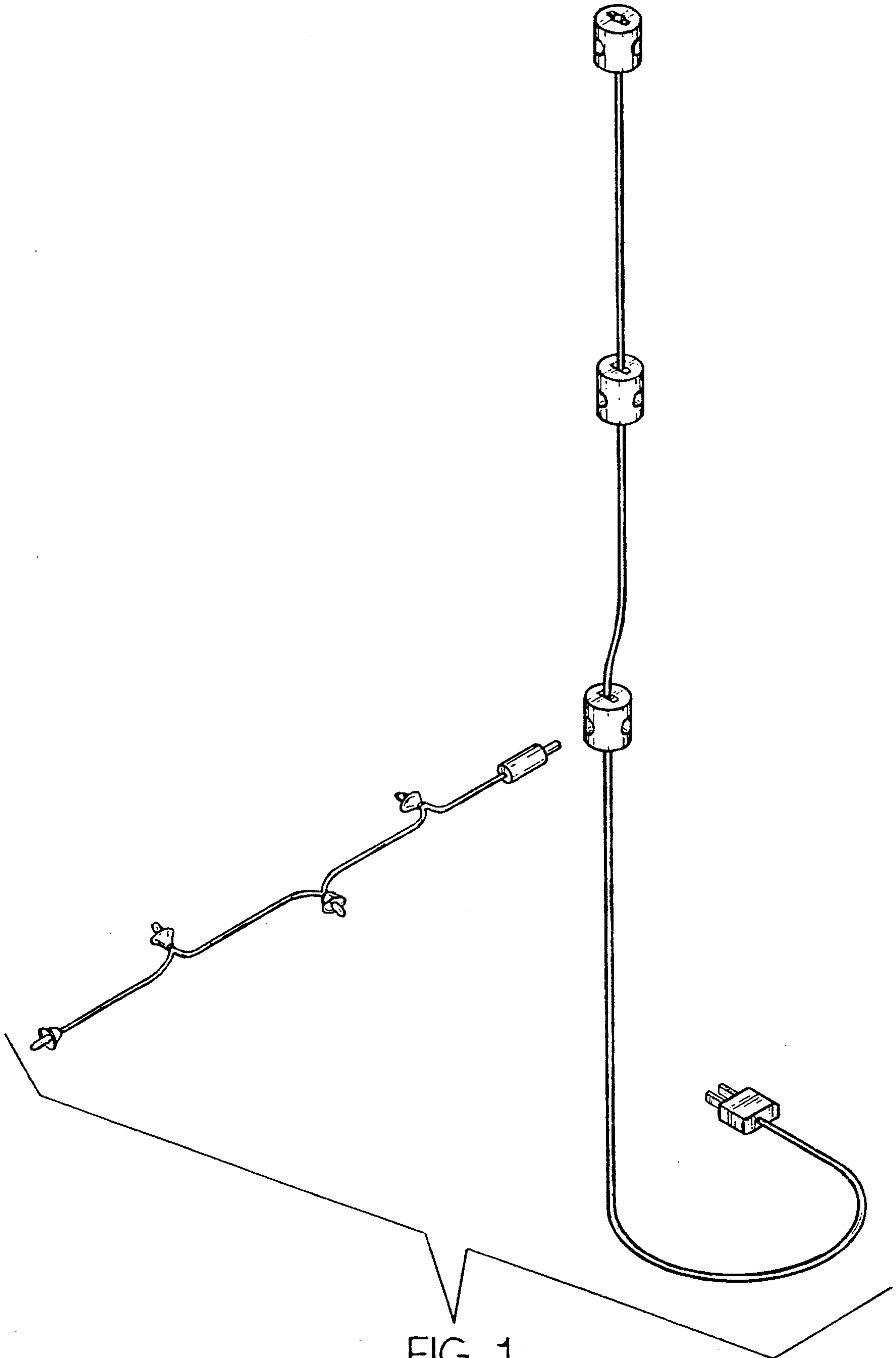


FIG. 1

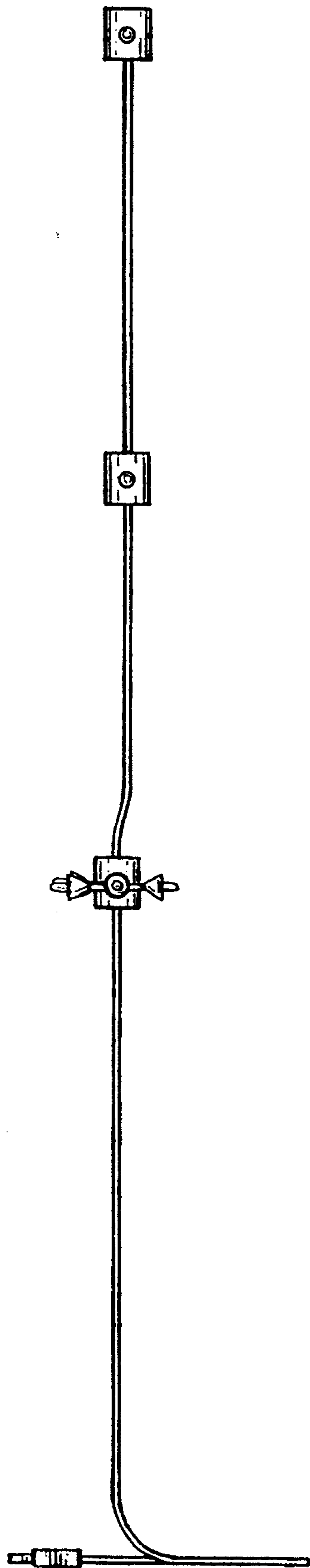


FIG. 2

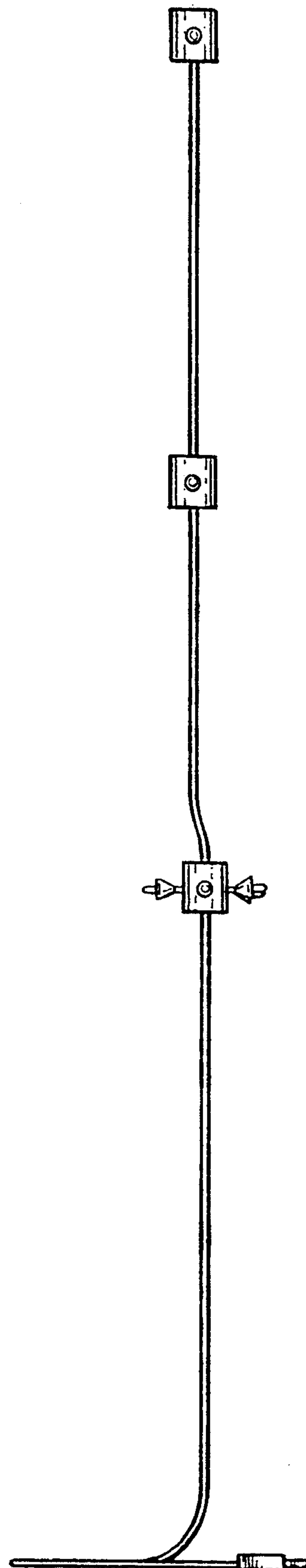


FIG. 3

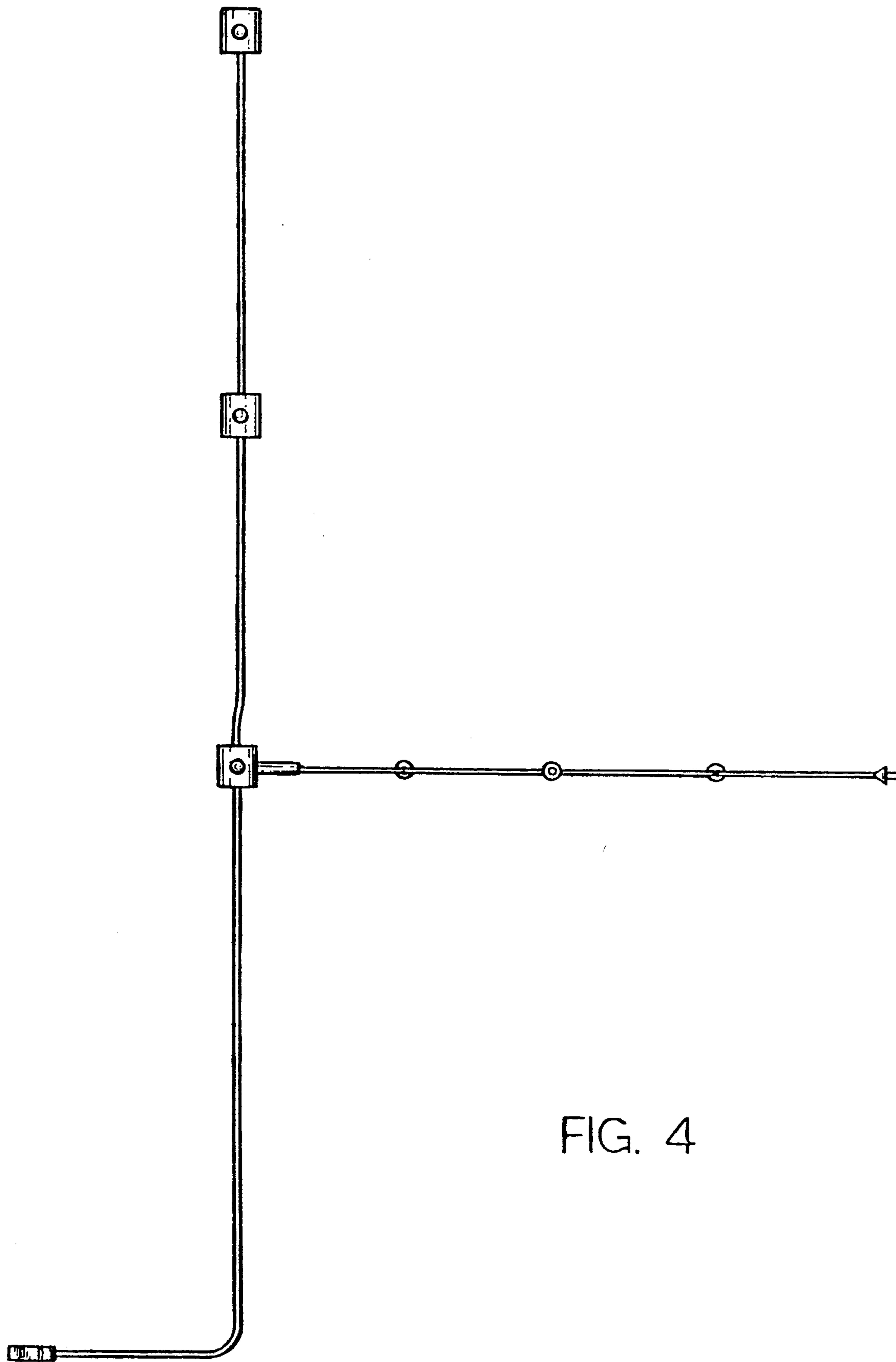


FIG. 4

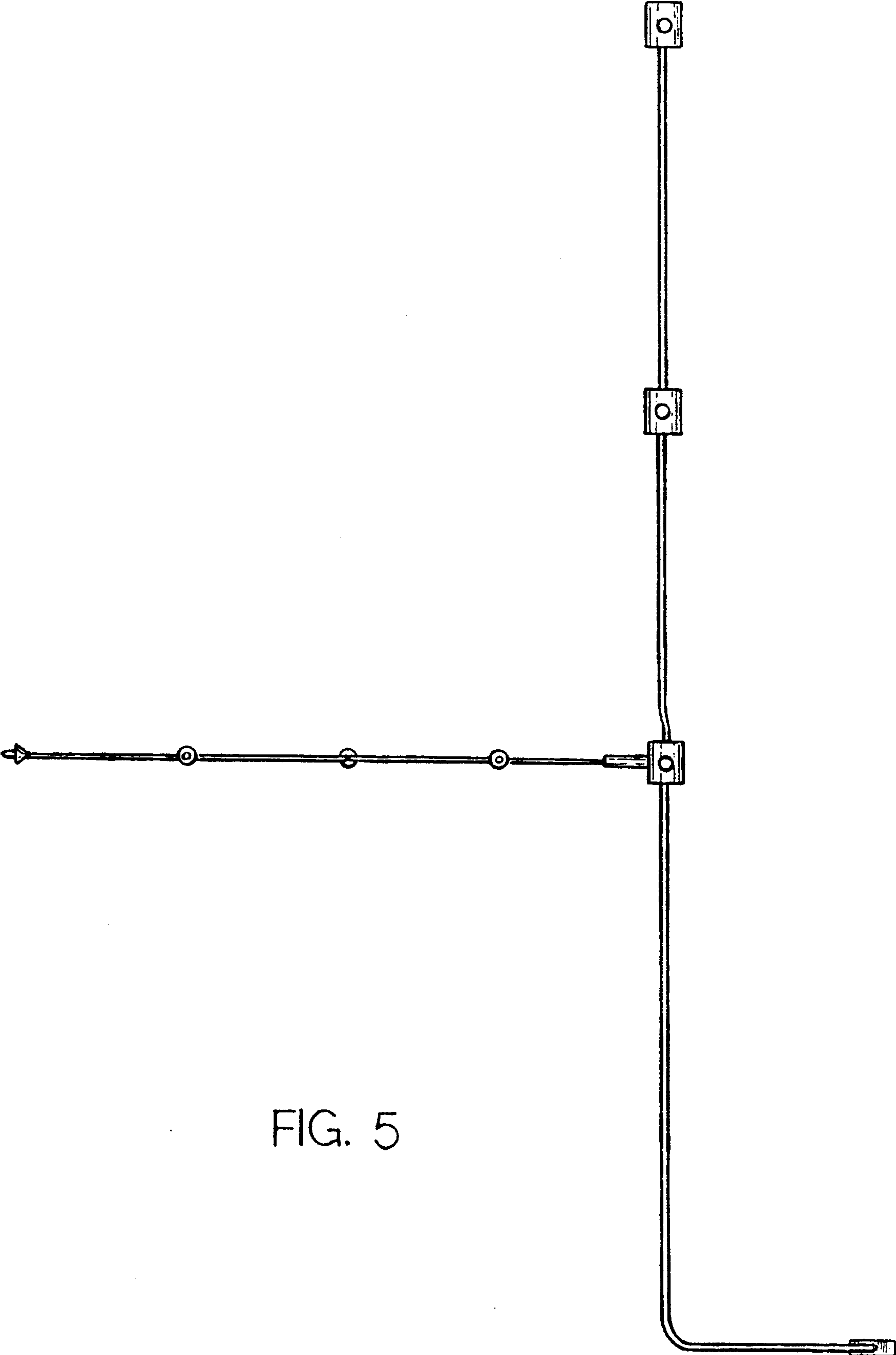


FIG. 5

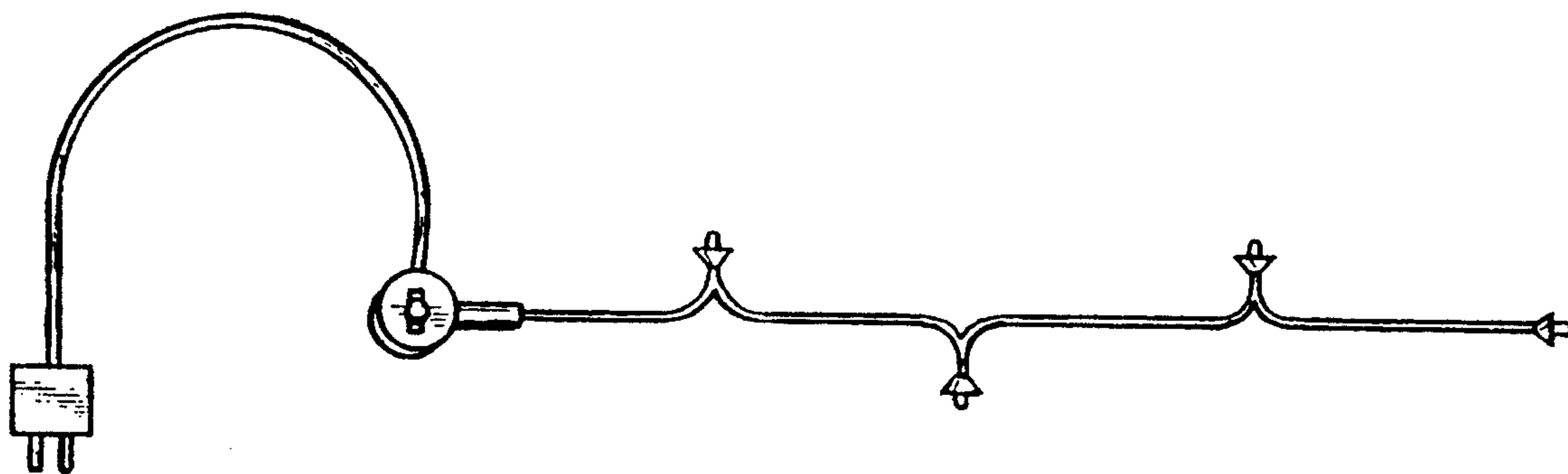


FIG. 6

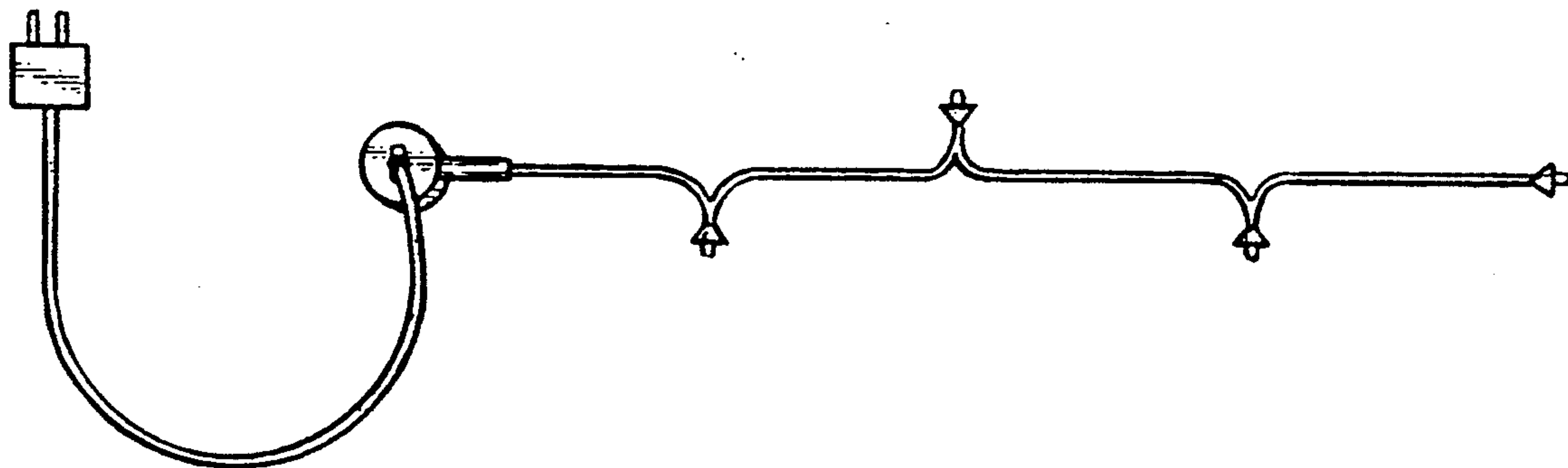


FIG. 7