



US00D352556S

United States Patent [19]

[11] Patent Number: **Des. 352,556**

McShirley et al.

[45] Date of Patent: **** Nov. 15, 1994**

[54] **MASSAGER**

[56] **References Cited**

[75] Inventors: **Richard McShirley, Santa Clarita;**
Robert McShirley, Valencia, both of
Calif.

U.S. PATENT DOCUMENTS

2,581,806 1/1952 McShirley D24/214 X
4,512,339 4/1985 McShirley D24/214 X
4,669,454 6/1987 Shamos 601/107 X

[73] Assignee: **Health o meter, Inc., Bridgeview, Ill.**

Primary Examiner—Stella Reid
Attorney, Agent, or Firm—Dick and Harris

[**] Term: **14 Years**

[57] CLAIM

The ornamental design for a massager, as shown.

[21] Appl. No.: **3,432**

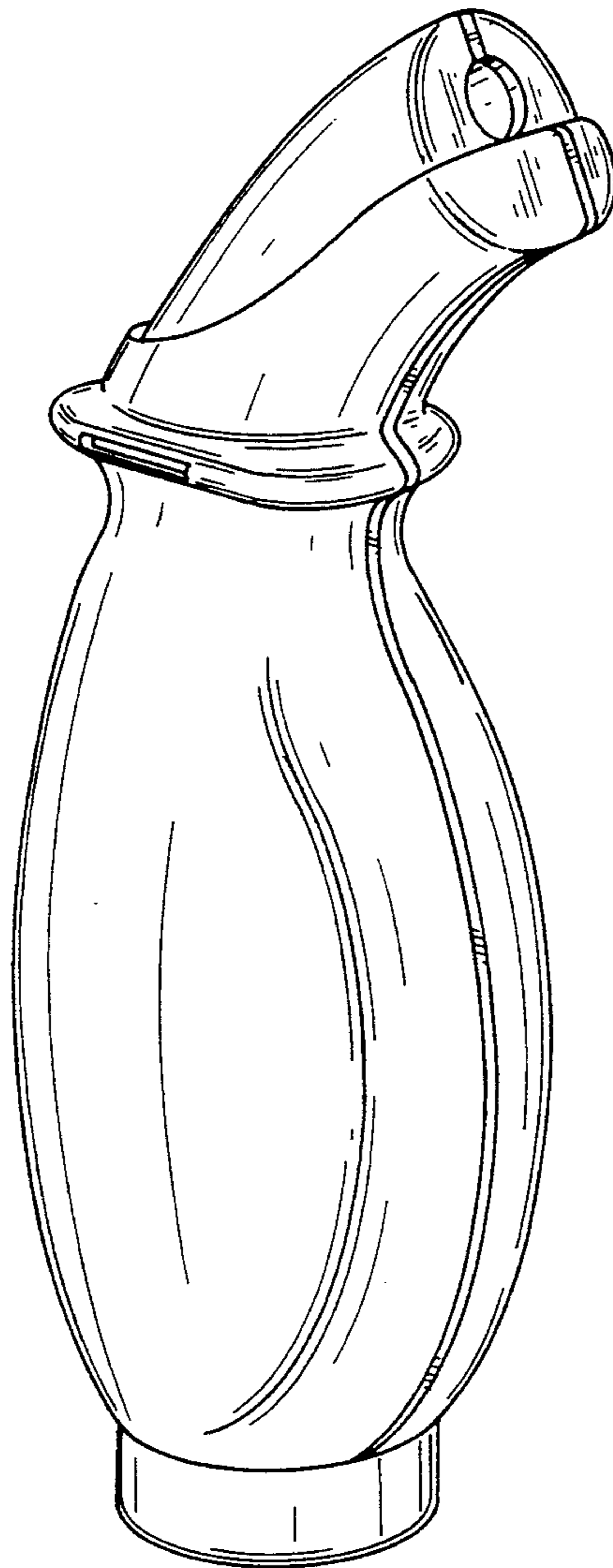
DESCRIPTION

FIG. 1 is an elevated perspective view of a massager comprising the present invention;
FIG. 2 is a back view of FIG. 1;
FIG. 3 is a top view of FIG. 2;
FIG. 4 is a right side view of FIG. 1;
FIG. 5 is a left side view of FIG. 1; and,
FIG. 6 is an bottom view of FIG. 2.

[22] Filed: **Jan. 6, 1993**

[52] U.S. Cl. **D24/214**

[58] Field of Search 601/107, 84; D24/200,
D24/214, 215, 211



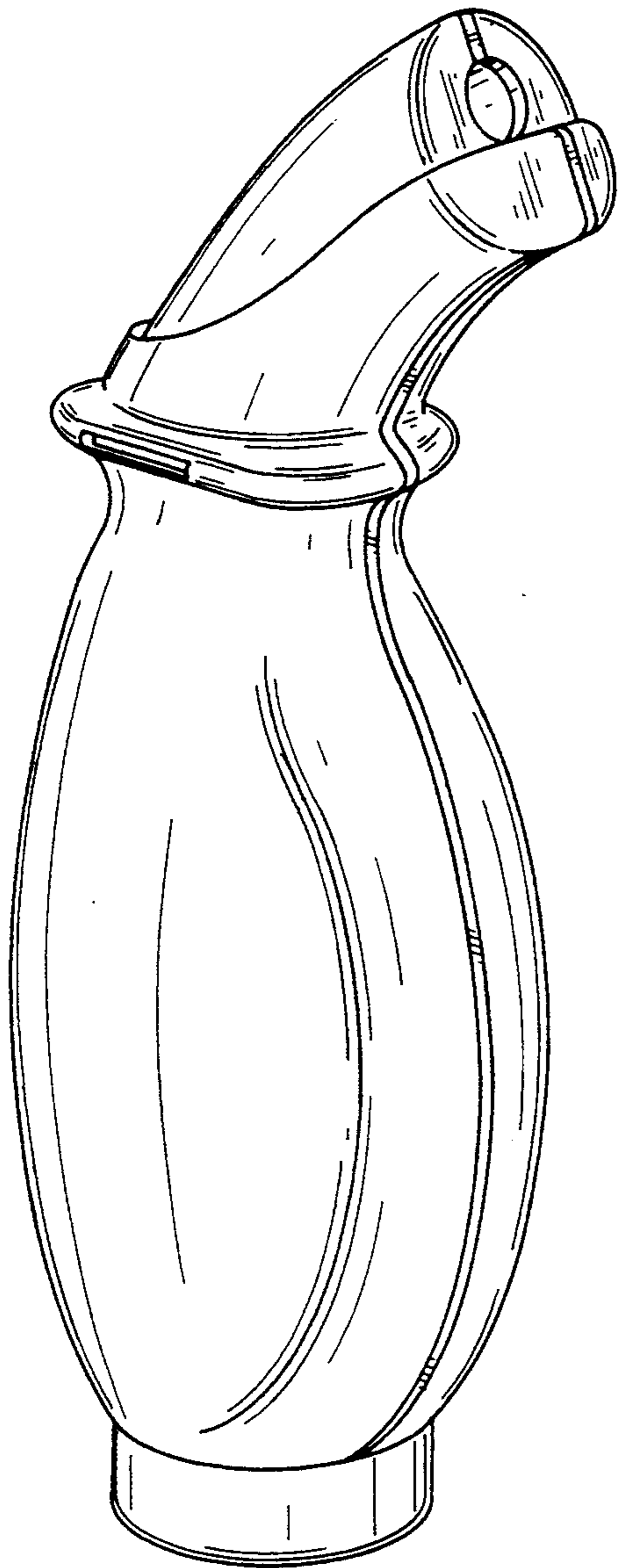


FIG. 1

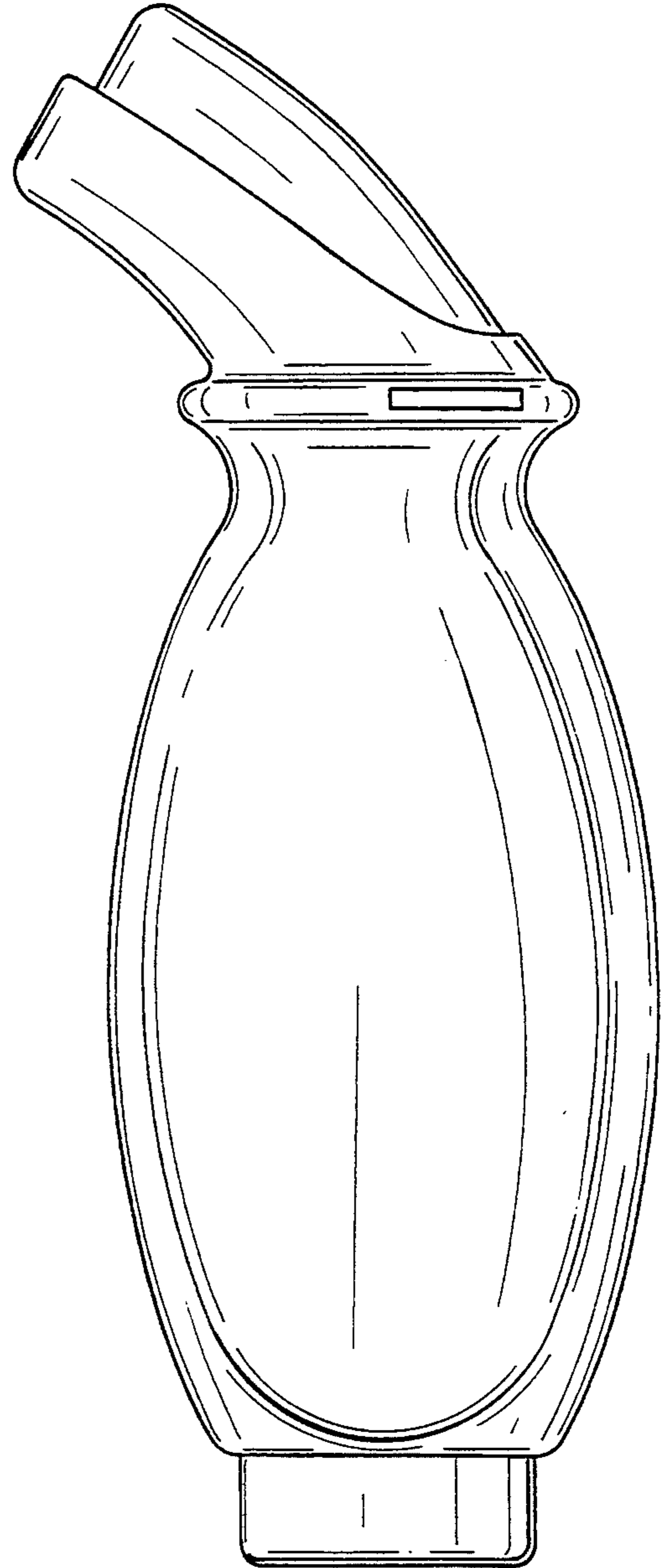


FIG. 2

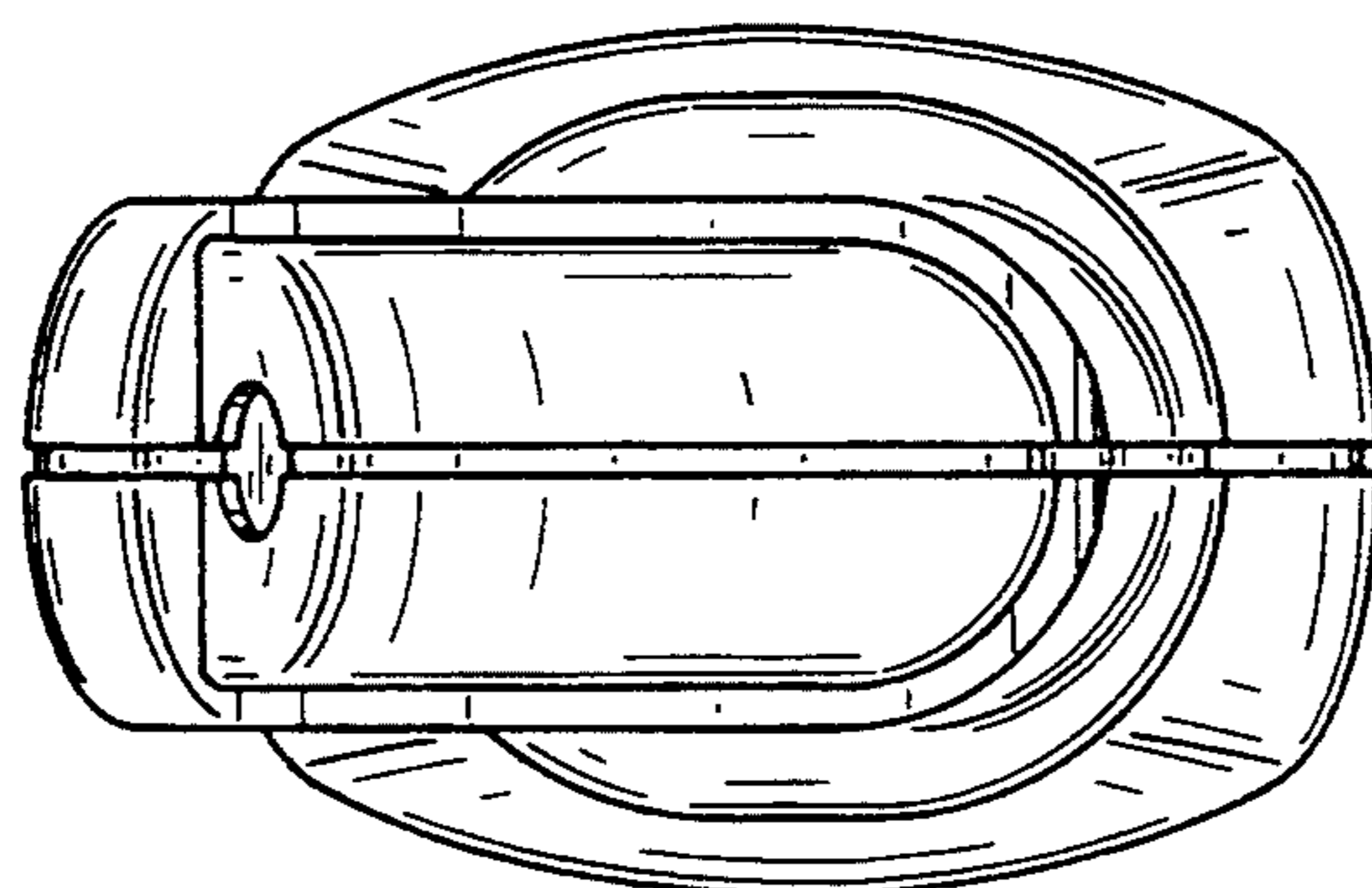


FIG. 3

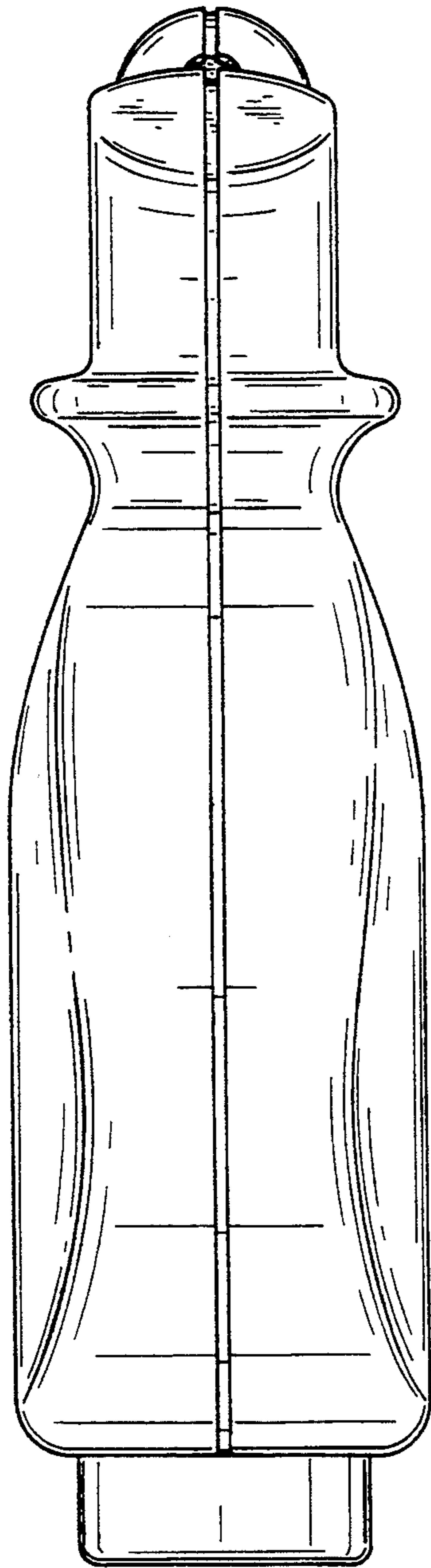


FIG. 4

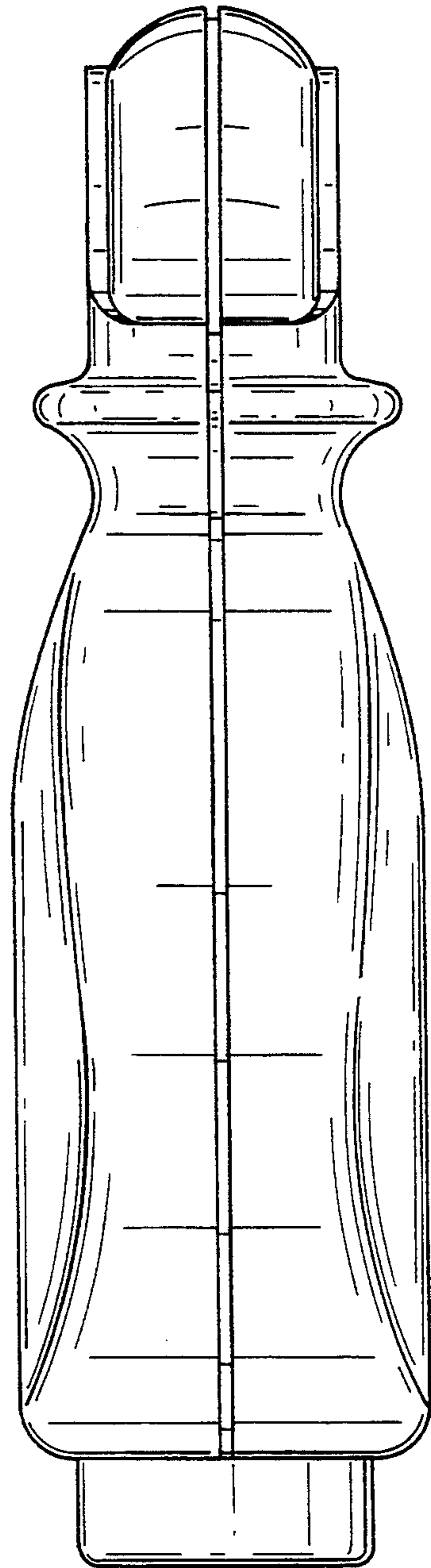


FIG. 5

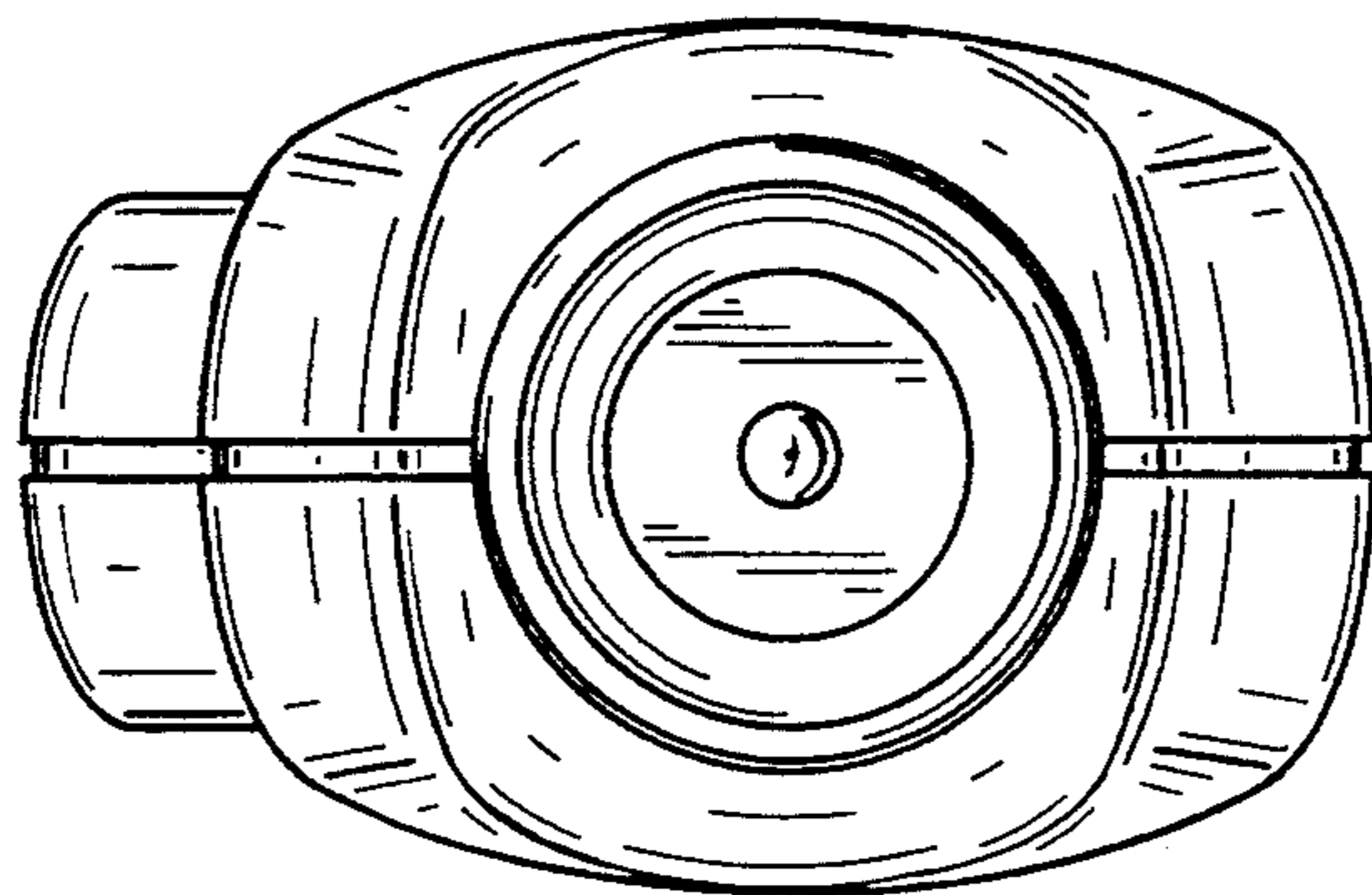


FIG. 6