



US00D352553S

United States Patent [19]
Shirley

[11] **Patent Number: Des. 352,553**
[45] **Date of Patent: ** Nov. 15, 1994**

[54] **DISPOSABLE RESUSCITATOR HAVING A UNIDIRECTIONAL VALVE**

[76] **Inventor: Terry L. Shirley, 31471 Paseo Duran, San Juan Capistrano, Calif. 92675**

[**] **Term: 14 Years**

[21] **Appl. No.: 853,159**

[22] **Filed: Mar. 17, 1992**

[52] **U.S. Cl. D24/110**

[58] **Field of Search** 128/202.28, 203.11, 128/205.24, 204.18, 204.21, 204.23, 204.24; D24/110, 164; D29/7

[56] **References Cited**

U.S. PATENT DOCUMENTS

D. 226,828	5/1973	Stensager	D24/110
D. 312,330	11/1990	Jackson	D29/7
3,802,428	4/1974	Sherman	128/202.28
4,819,628	4/1989	Eisenberg et al.	.	
5,119,809	6/1992	Gerson	128/203.11

OTHER PUBLICATIONS

CPR Microshield Mouth Barrier for Mouth-to-Mouth Resuscitation brochure date unknown.

Primary Examiner—A. Hugo Word
Assistant Examiner—Eric Watterson
Attorney, Agent, or Firm—Stetina Brunda & Buyan

[57] **CLAIM**

The ornamental design for a disposable resuscitator having a unidirectional valve, as shown and described.

DESCRIPTION

FIG. 1 is a top perspective view of a first embodiment of the disposable resuscitator having a unidirectional valve of the present invention showing my new design; FIG. 2 is a bottom perspective view thereof; FIG. 3 is a bottom plan view thereof; FIG. 4 is a top perspective view of a second embodiment of the disposable resuscitator device having a unidirectional valve of the present invention showing my new design; FIG. 5 is a bottom perspective view thereof; FIG. 6 is a bottom plan view thereof; FIG. 7 is a side elevational view of the first embodiment of the disposable resuscitator of FIGS. 1-3; and, FIG. 8 is a side elevational view of the second embodiment of the disposable resuscitator device of FIGS. 4-6.

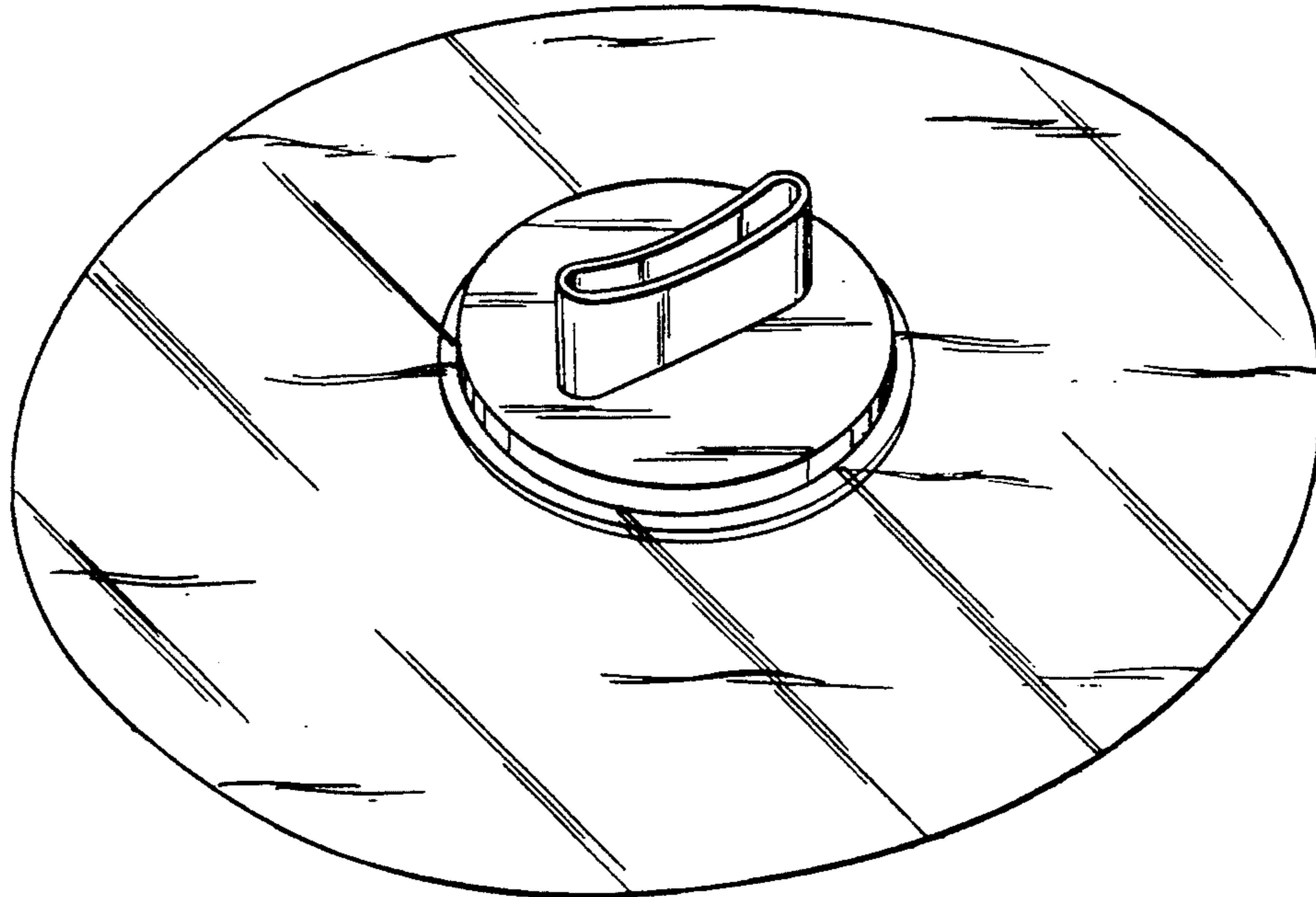


Fig. 1

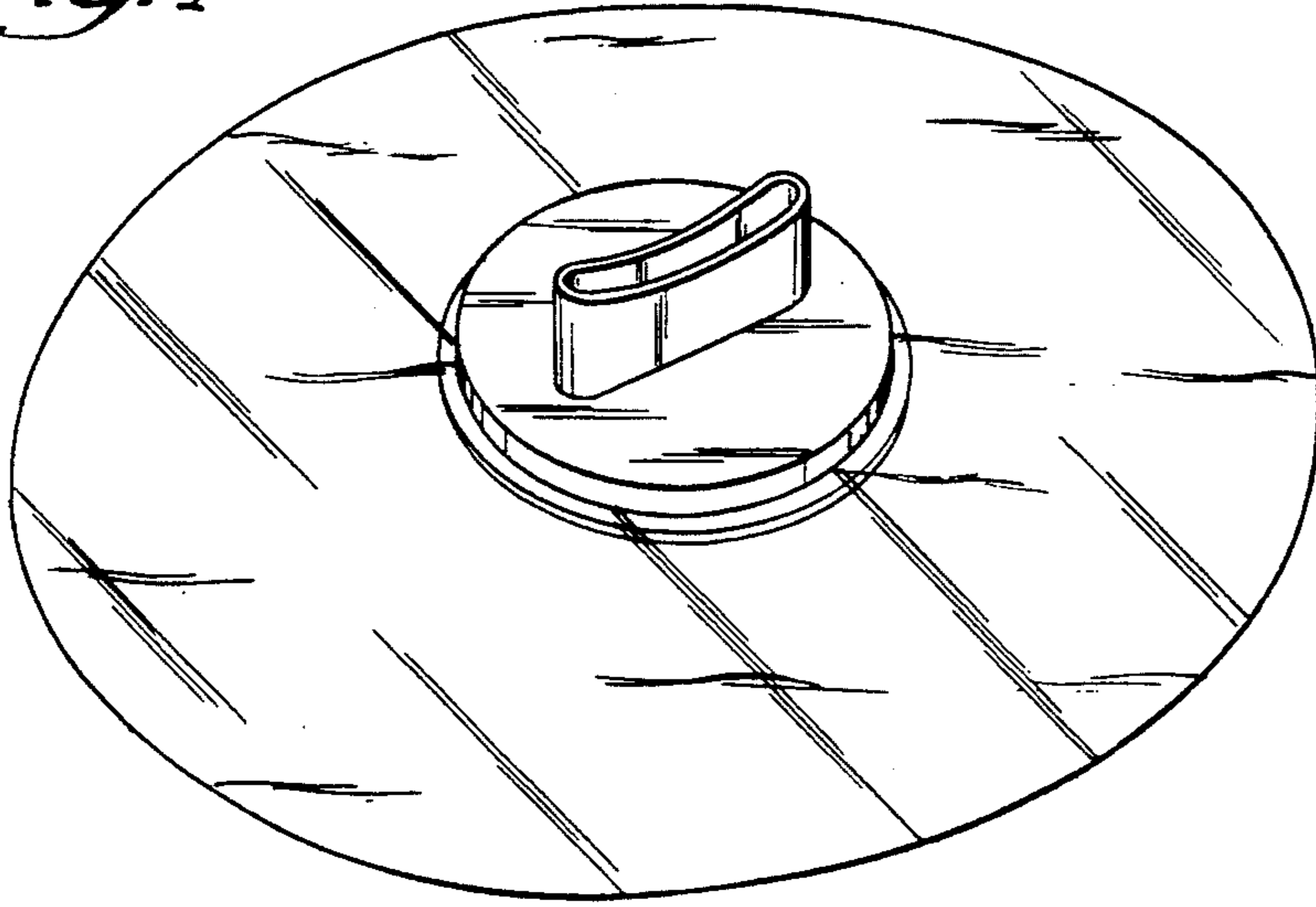


Fig. 2

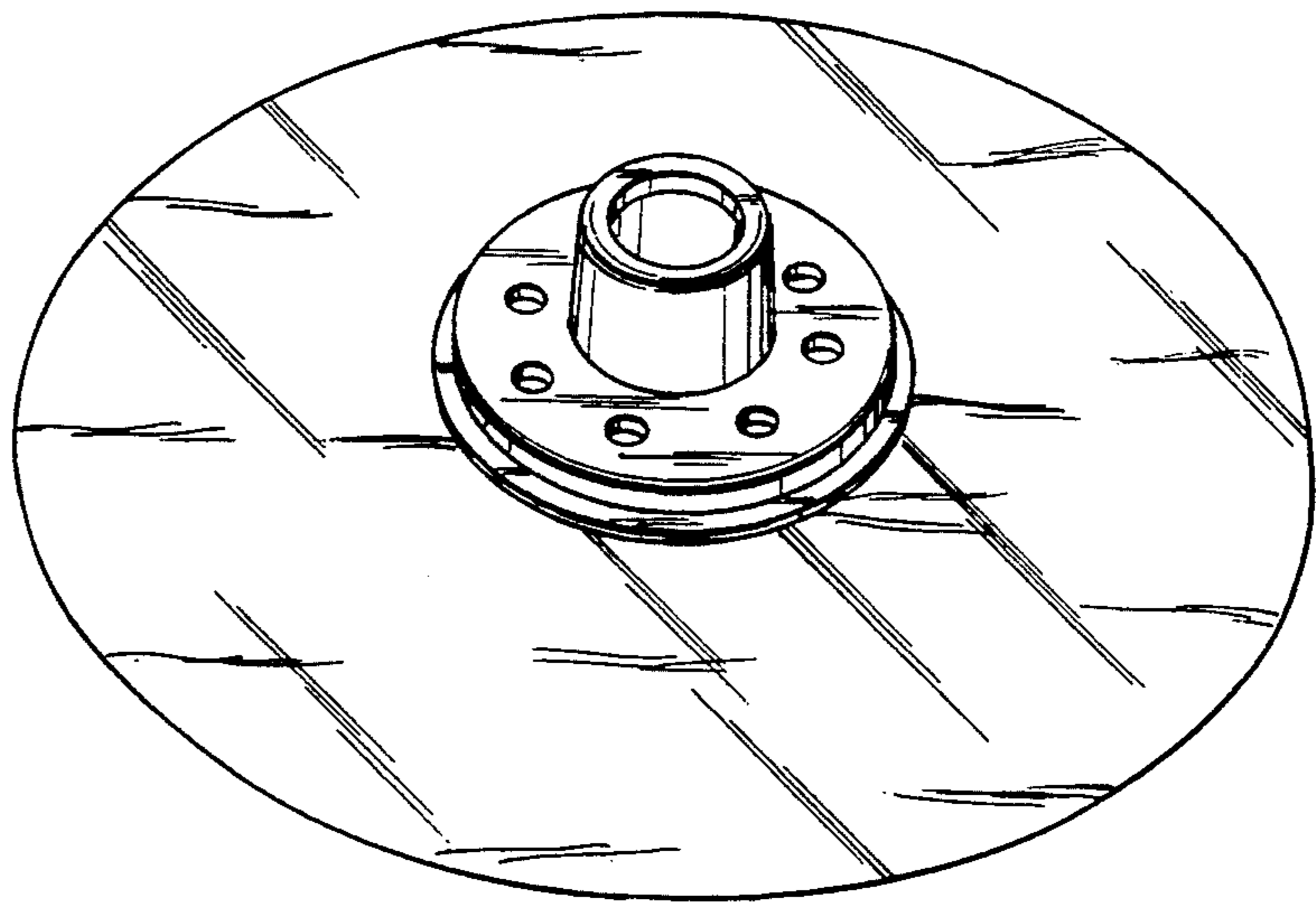
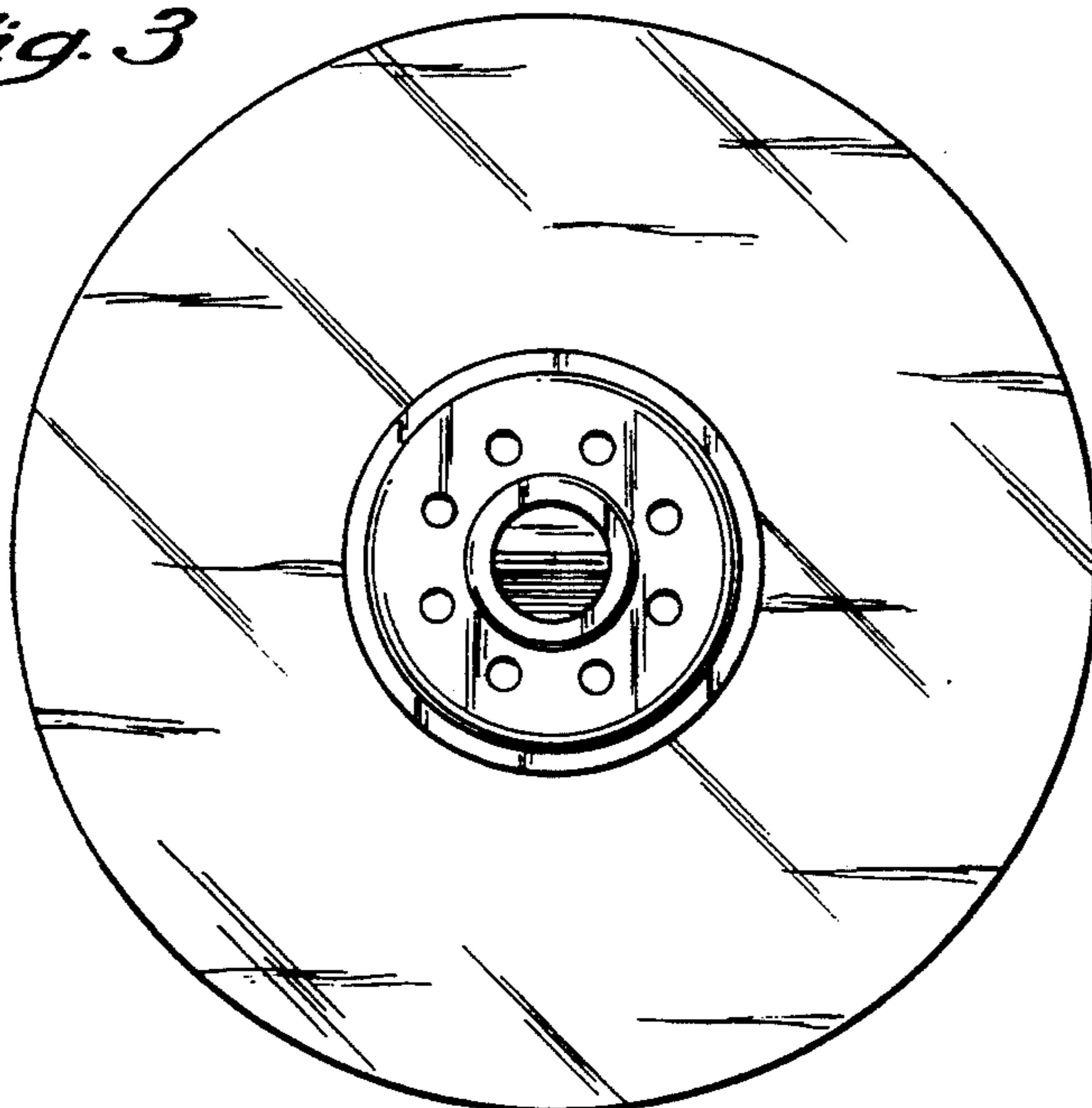


Fig. 3



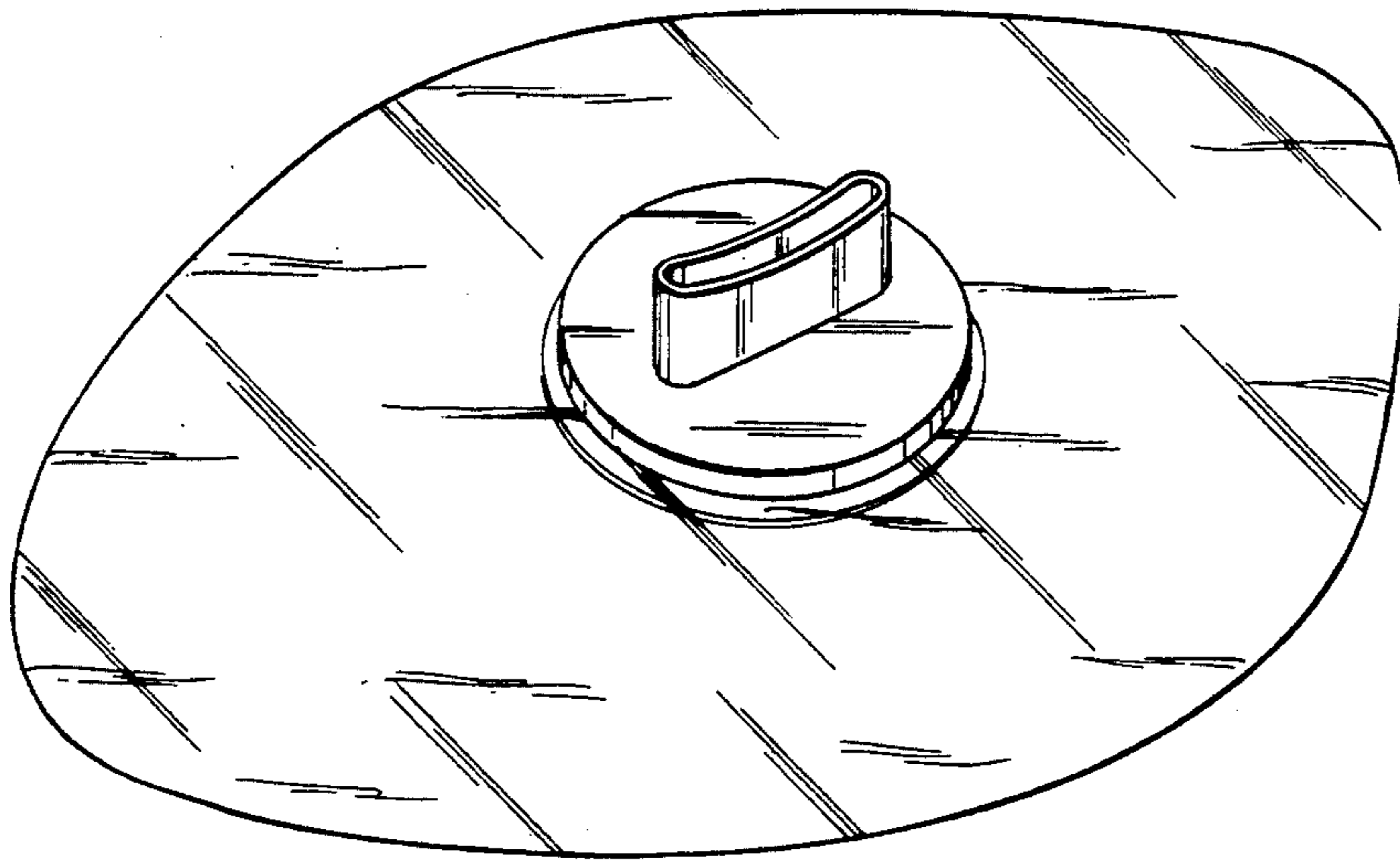


Fig. 4

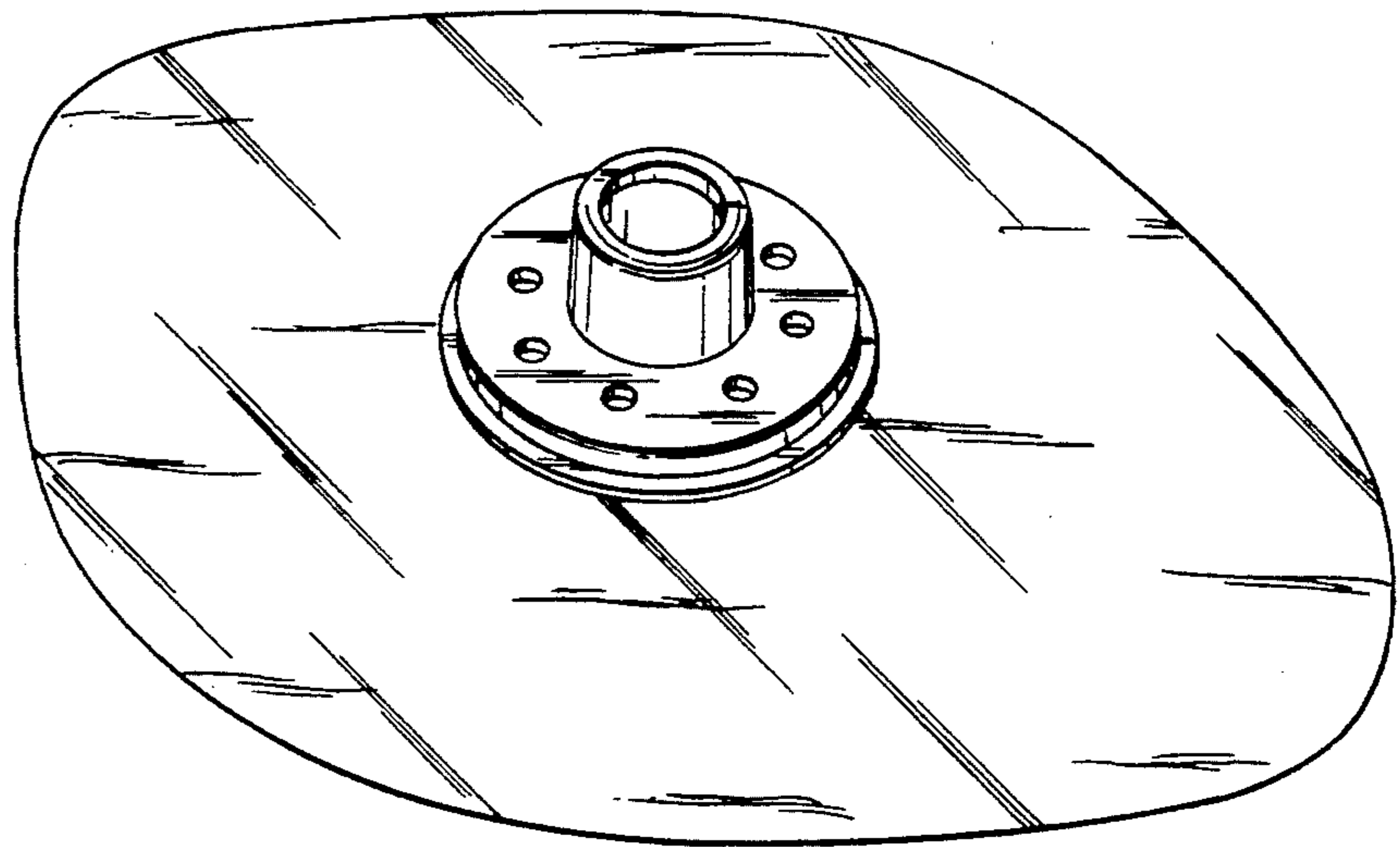


Fig. 5

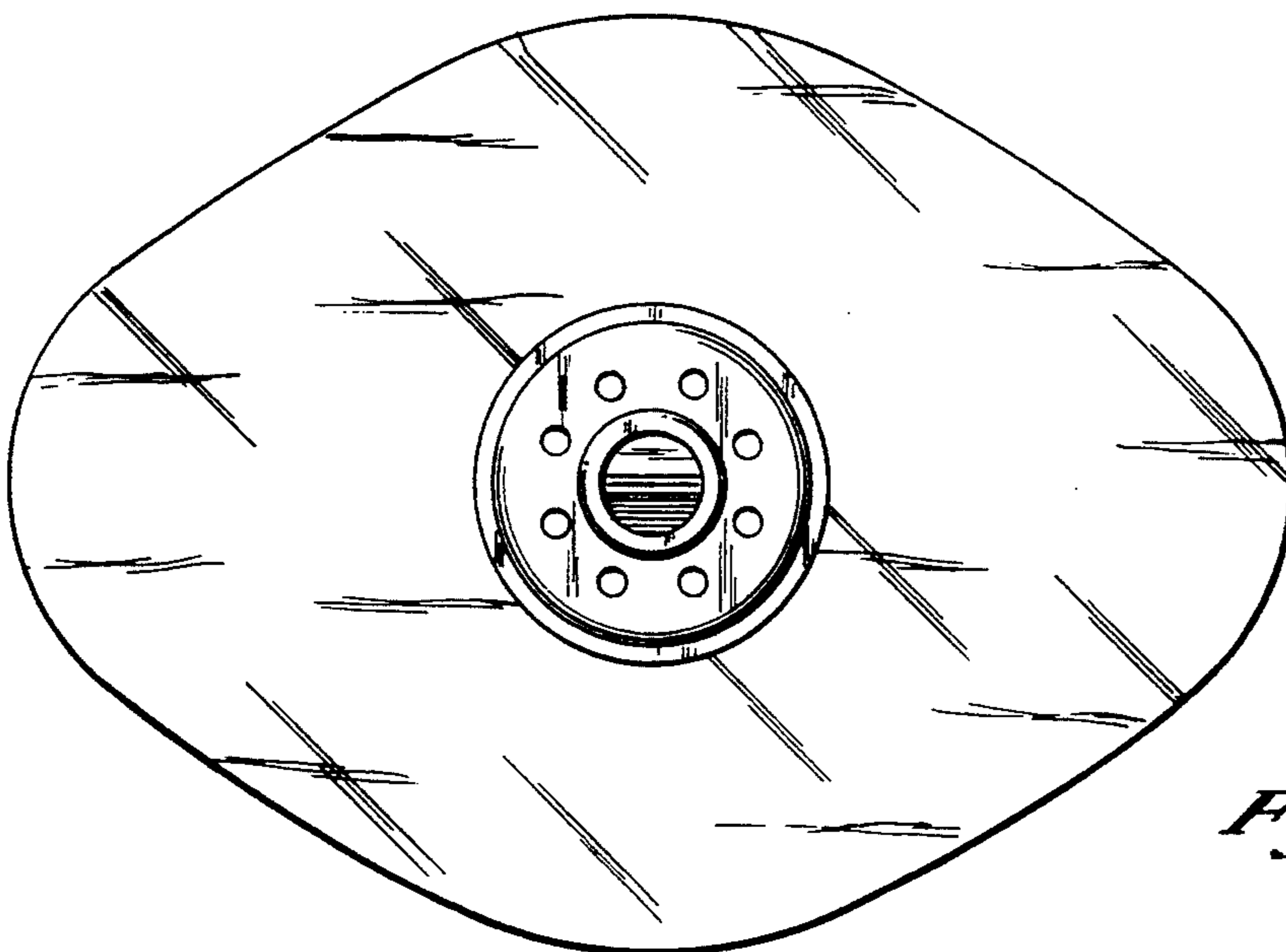


Fig. 6

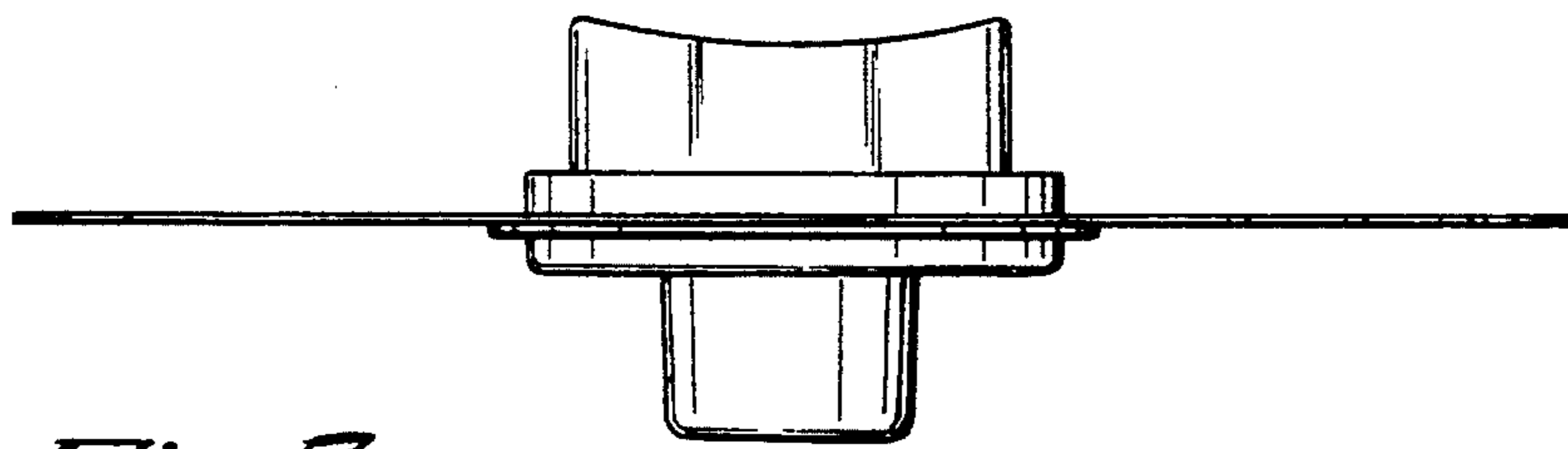


Fig. 7

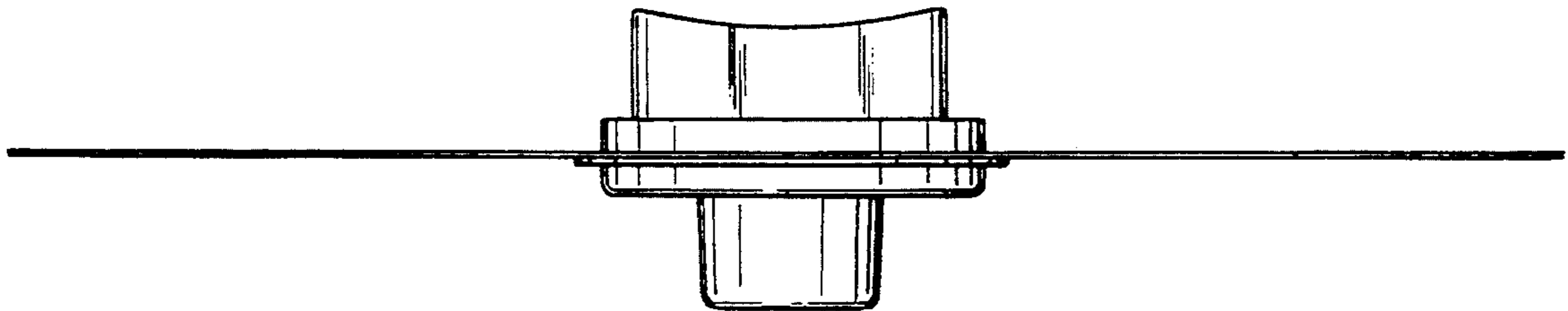


Fig. 8