



US00D352552S

United States Patent [19]

[11] Patent Number: **Des. 352,552**

Oyama et al.

[45] Date of Patent: **** Nov. 15, 1994**

[54] **COMBINED CEILING FAN AND LIGHT**

[56] **References Cited**

[75] Inventors: **Shigemichi Oyama, Kyoto; Mutsumi Sawanishi, Osaka, both of Japan**

U.S. PATENT DOCUMENTS

D. 134,017	10/1942	Hueglin	D23/413
D. 290,873	7/1987	Chen	D23/377
D. 295,555	5/1988	Greenberg	D23/377
D. 310,561	9/1990	Janicz	D23/377
D. 312,686	12/1990	Weber	D23/377
2,269,287	1/1942	Roberts	D23/413
5,077,825	12/1991	Monrose	416/5

[73] Assignees: **Matsushita Seiko Co., Ltd.; Matsushita Electric Industrial Co., Ltd., both of Osaka, Japan**

OTHER PUBLICATIONS

1991 National Human Electronics Ceiling Fan Catalog, published Jun. 1, 1991.

[*] Notice: The portion of the term of this patent subsequent to Mar. 16, 2007 has been disclaimed.

Primary Examiner—Lisa P. Lichtenstein
Attorney, Agent, or Firm—Sughrue, Mion, Zinn, Macpeak & Seas

[**] Term: **14 Years**

[57] CLAIM

[21] Appl. No.: **12,208**

The ornamental design for a combined ceiling fan and light, as shown and described.

[22] Filed: **Aug. 26, 1993**

Related U.S. Application Data

[63] Continuation of Ser. No. 835,678, Feb. 14, 1992, abandoned.

DESCRIPTION

[30] Foreign Application Priority Data

Aug. 22, 1991 [JP] Japan 3-25278

[52] U.S. Cl. **D23/377; D23/379; D23/385**

[58] Field of Search 416/5; D23/377, 379, D23/385, 411, 413, 370, 328; D26/81-86, 72, 51, 88, 59

FIG. 1 is a front bottom and right side perspective view of a combined ceiling fan and light showing our new design, the fan being symmetrical about a vertical axis; FIG. 2 is a top, front and right side perspective view thereof;

FIG. 3 is a bottom plan view thereof;

FIG. 4 is a top plan view thereof;

FIG. 5 is a front elevational view thereof, the rear being a mirror image thereof; and,

FIG. 6 is a left side elevational view thereof, the opposite side being a mirror image thereof.

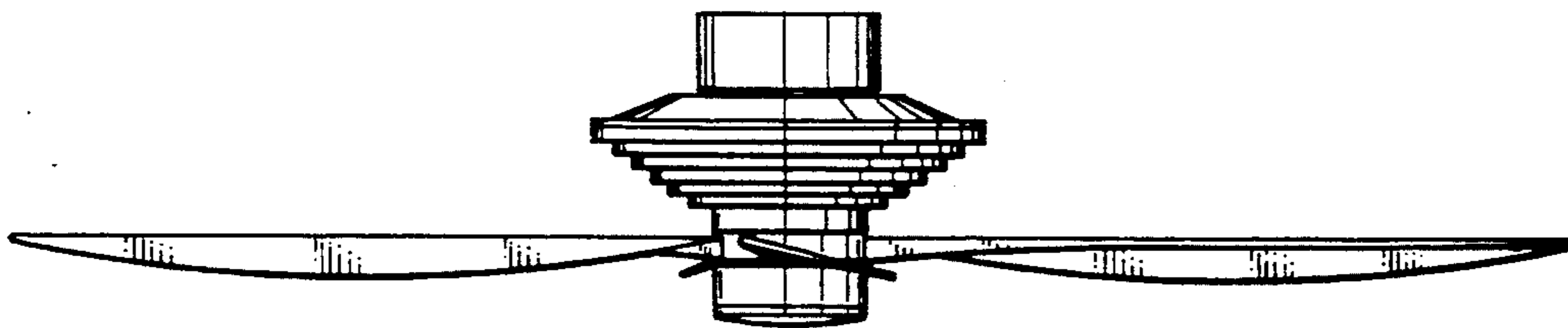
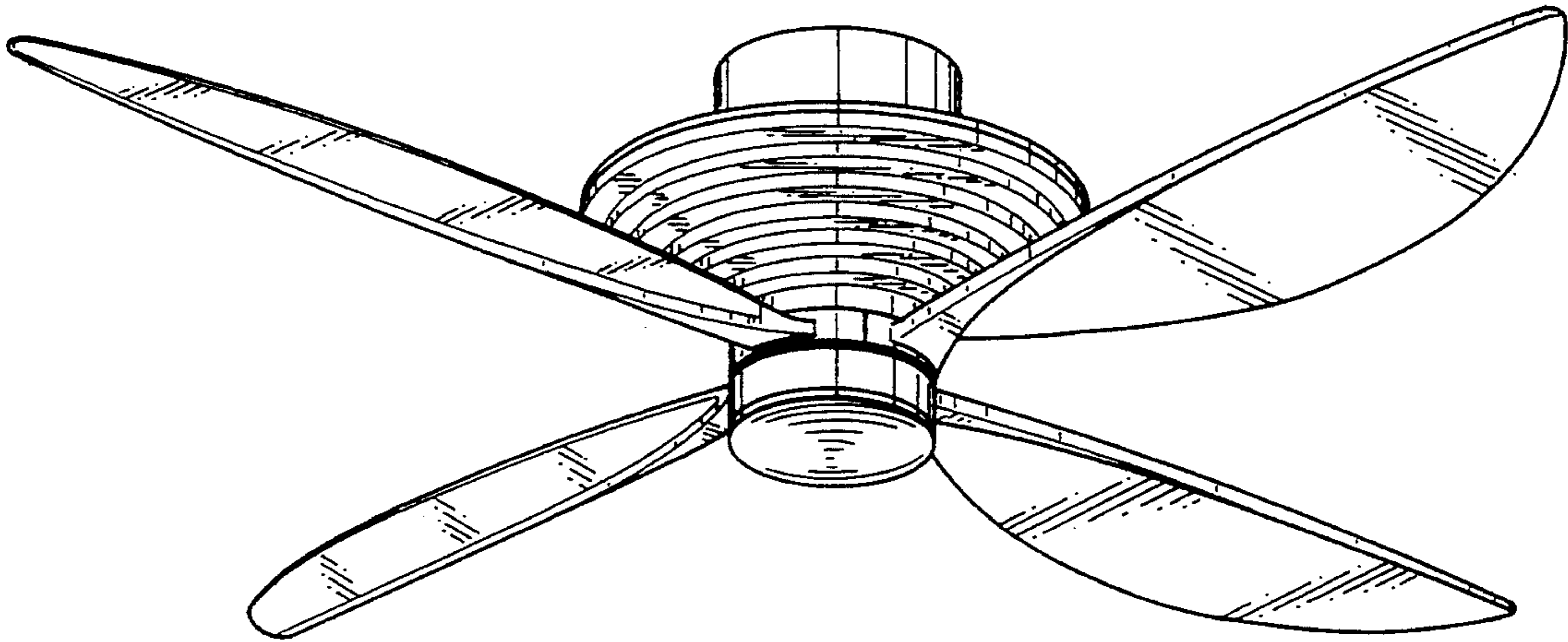


Fig. 1

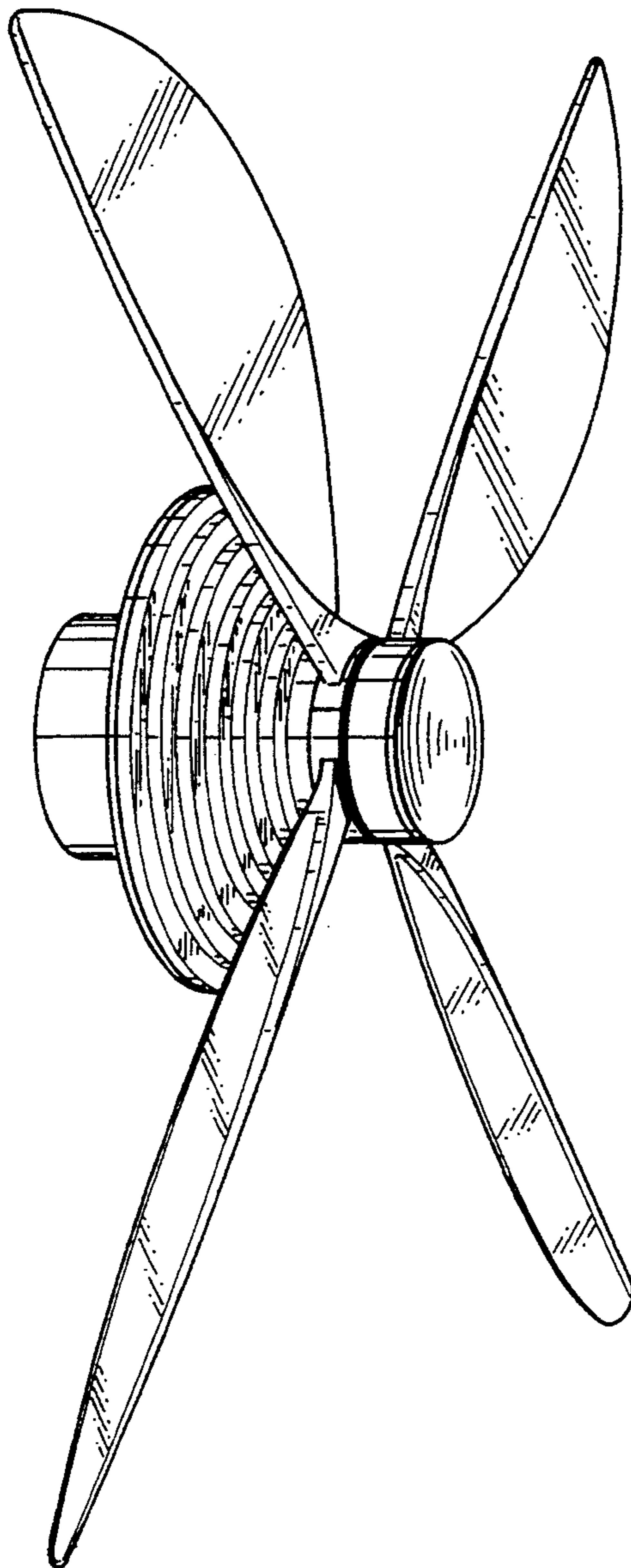


Fig. 2

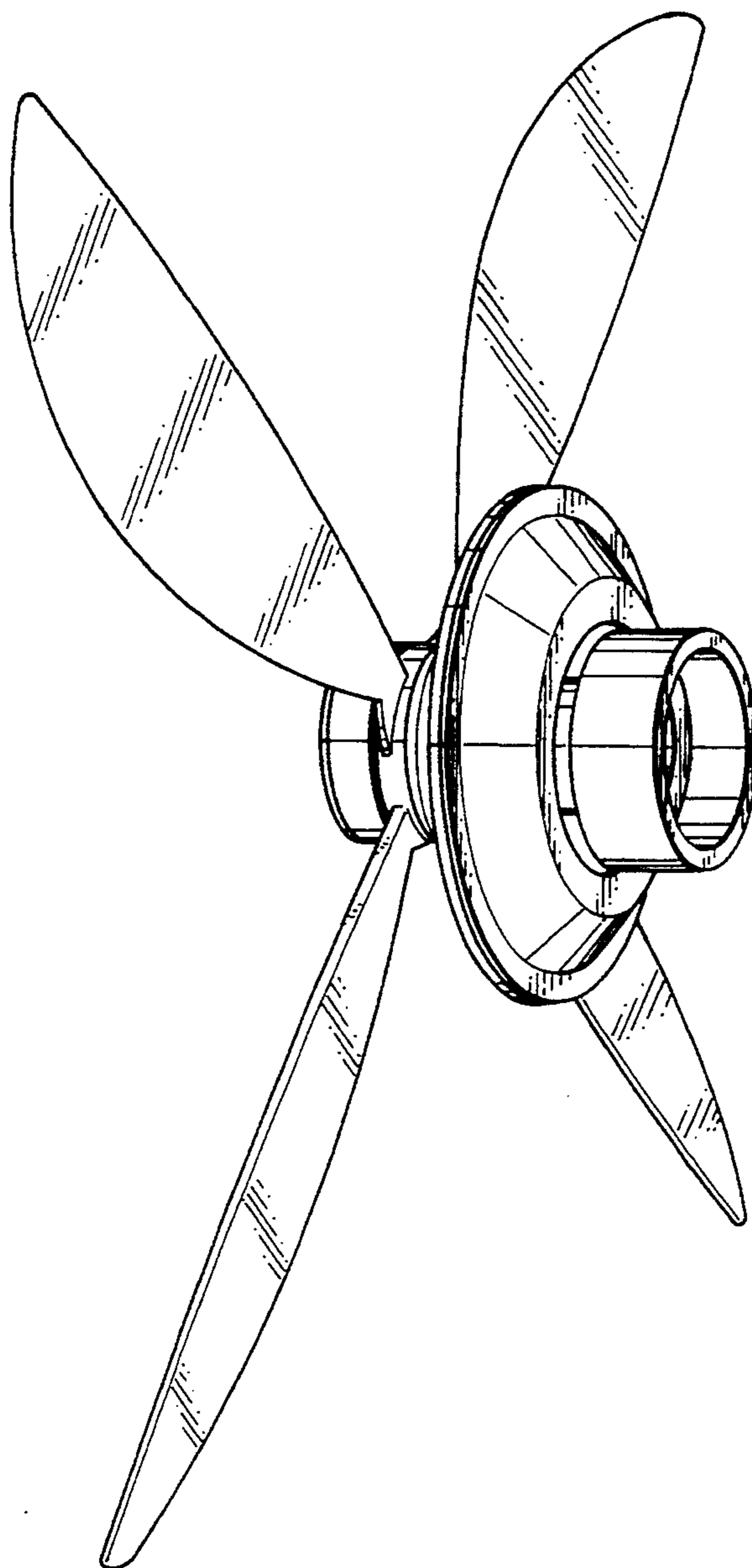


Fig. 3

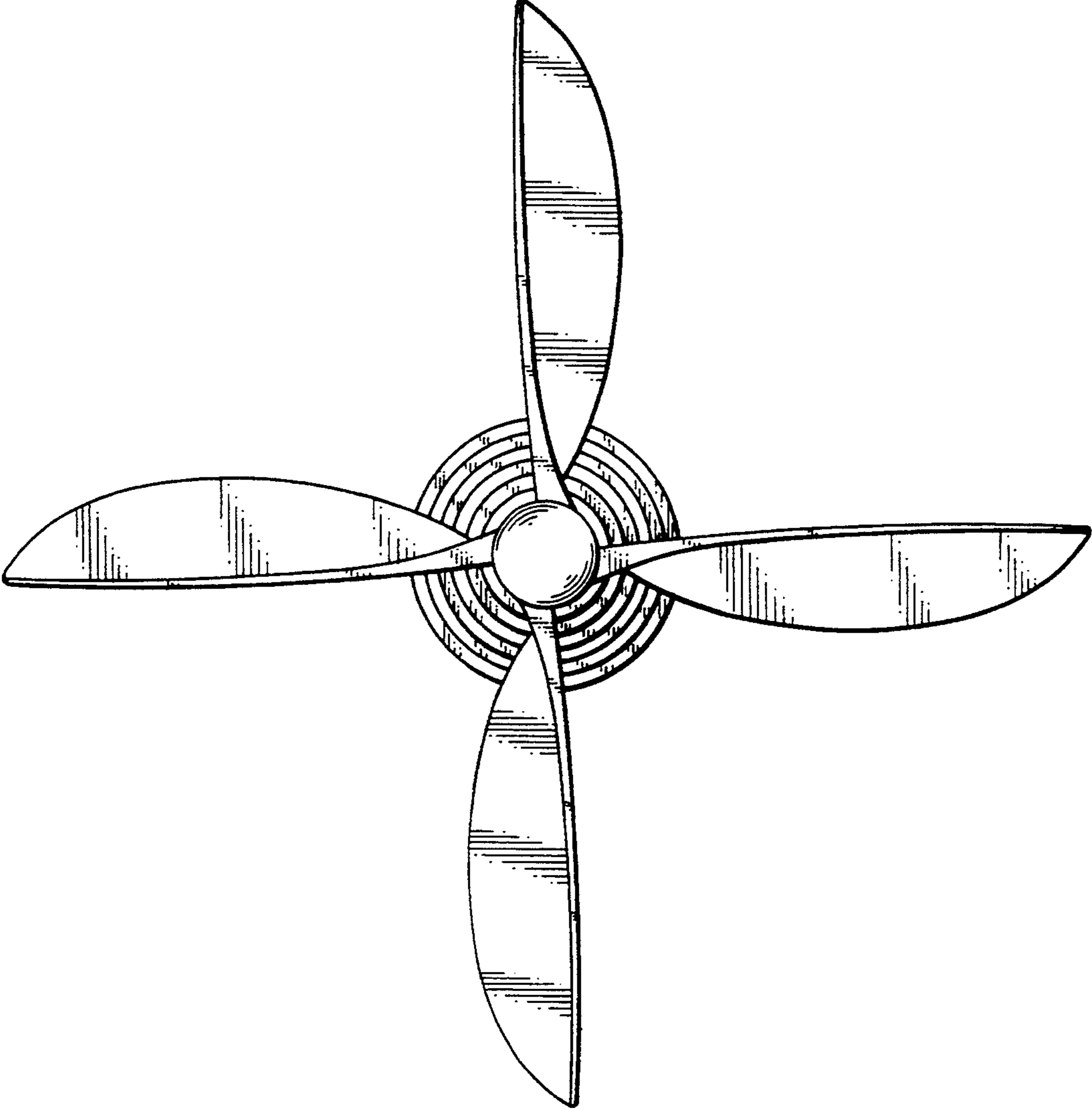


Fig. 4

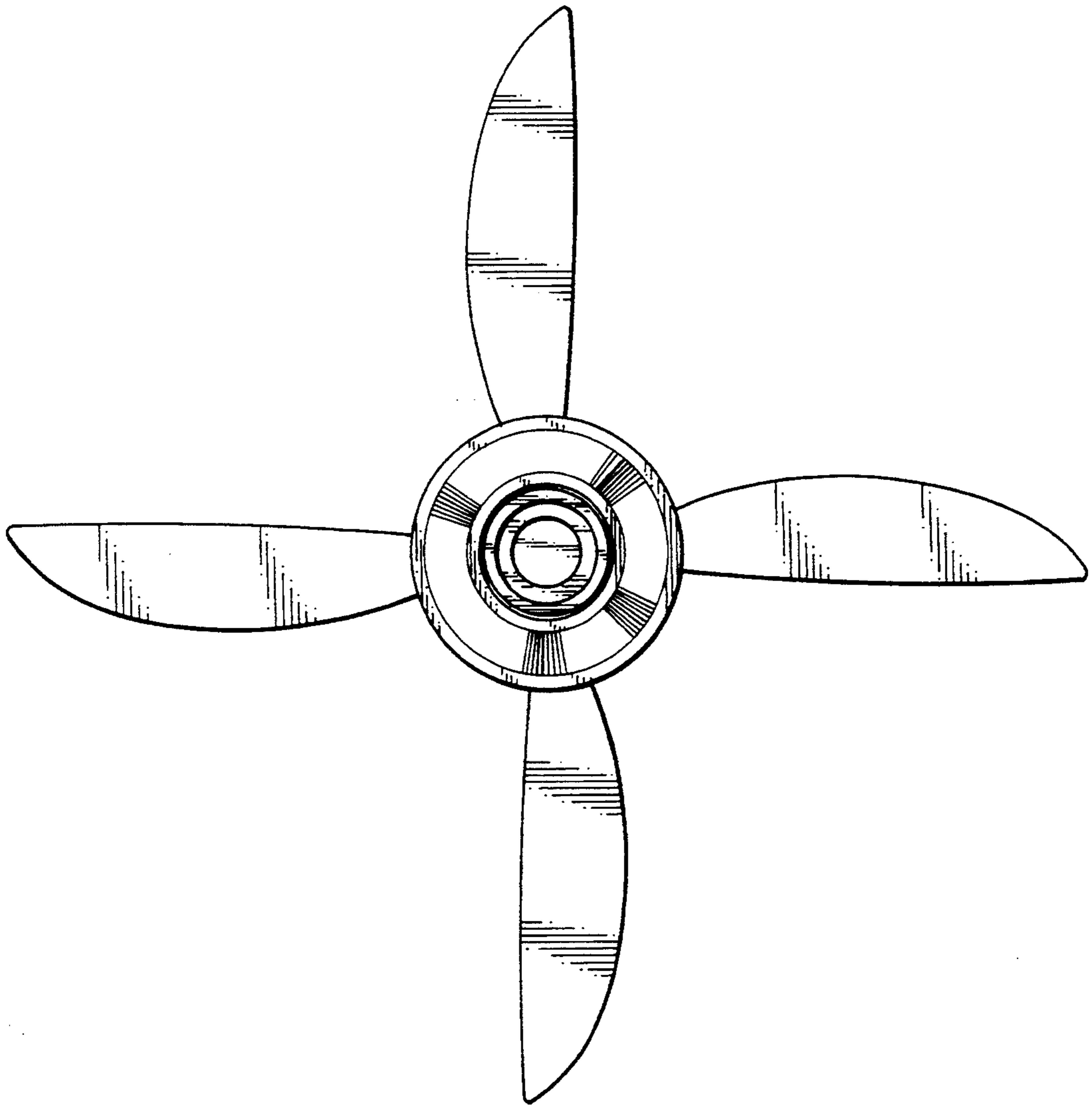


Fig. 5

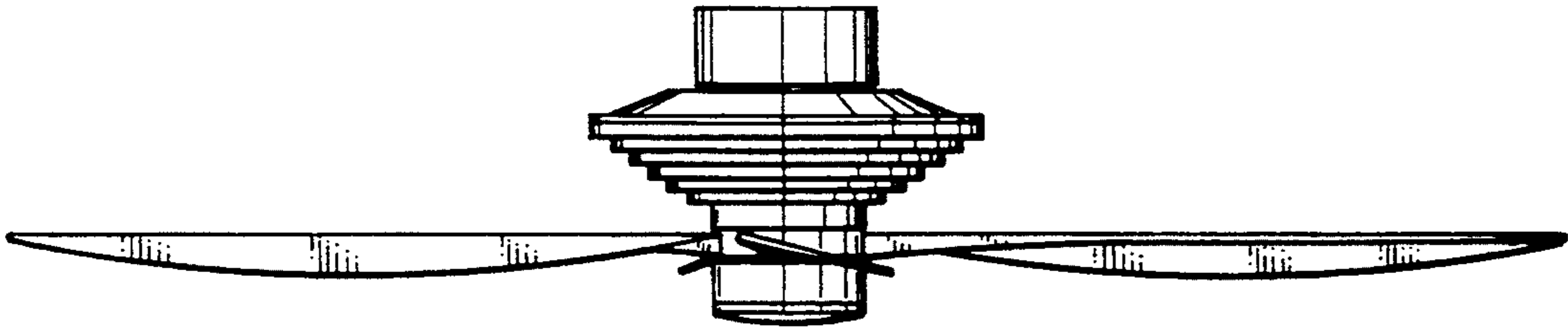


Fig. 6

