



US00D352551S

United States Patent [19]

[11] Patent Number: **Des. 352,551**

Andersson

[45] Date of Patent: **** Nov. 15, 1994**

[54] **FUME FILTER FOR USE WITH A SOLDERING APPARATUS**

4,617,033 10/1986 Strang 55/385.1
4,627,862 12/1986 Frei et al. 55/467

[75] Inventor: **Mats Andersson, Axvall, Sweden**

Primary Examiner—Lisa P. Lichtenstein
Attorney, Agent, or Firm—Jacobson, Price, Holman & Stern

[73] Assignee: **AB Lectrostatic, Skara, Sweden**

[**] Term: **14 Years**

[57] **CLAIM**

[21] Appl. No.: **14,730**

The ornamental design for a fume filter for use with a soldering apparatus, as shown.

[22] Filed: **Oct. 29, 1993**

[30] **Foreign Application Priority Data**

DESCRIPTION

Apr. 29, 1983 [SE] Sweden 93-1066

[52] U.S. Cl. **D23/365**

[58] Field of Search 55/385.1, 467; D23/365

FIG. 1 is a front elevation view of a fume filter for use with a soldering apparatus showing my new design; FIG. 2 is a right side elevation view thereof; FIG. 3 is a left side elevation view thereof; FIG. 4 is a bottom plan view thereof; FIG. 5 is a rear elevation view thereof; FIG. 6 is a top plan view thereof; and, FIG. 7 is a perspective view thereof.

[56] **References Cited**

U.S. PATENT DOCUMENTS

3,597,902 8/1971 Williams 55/467

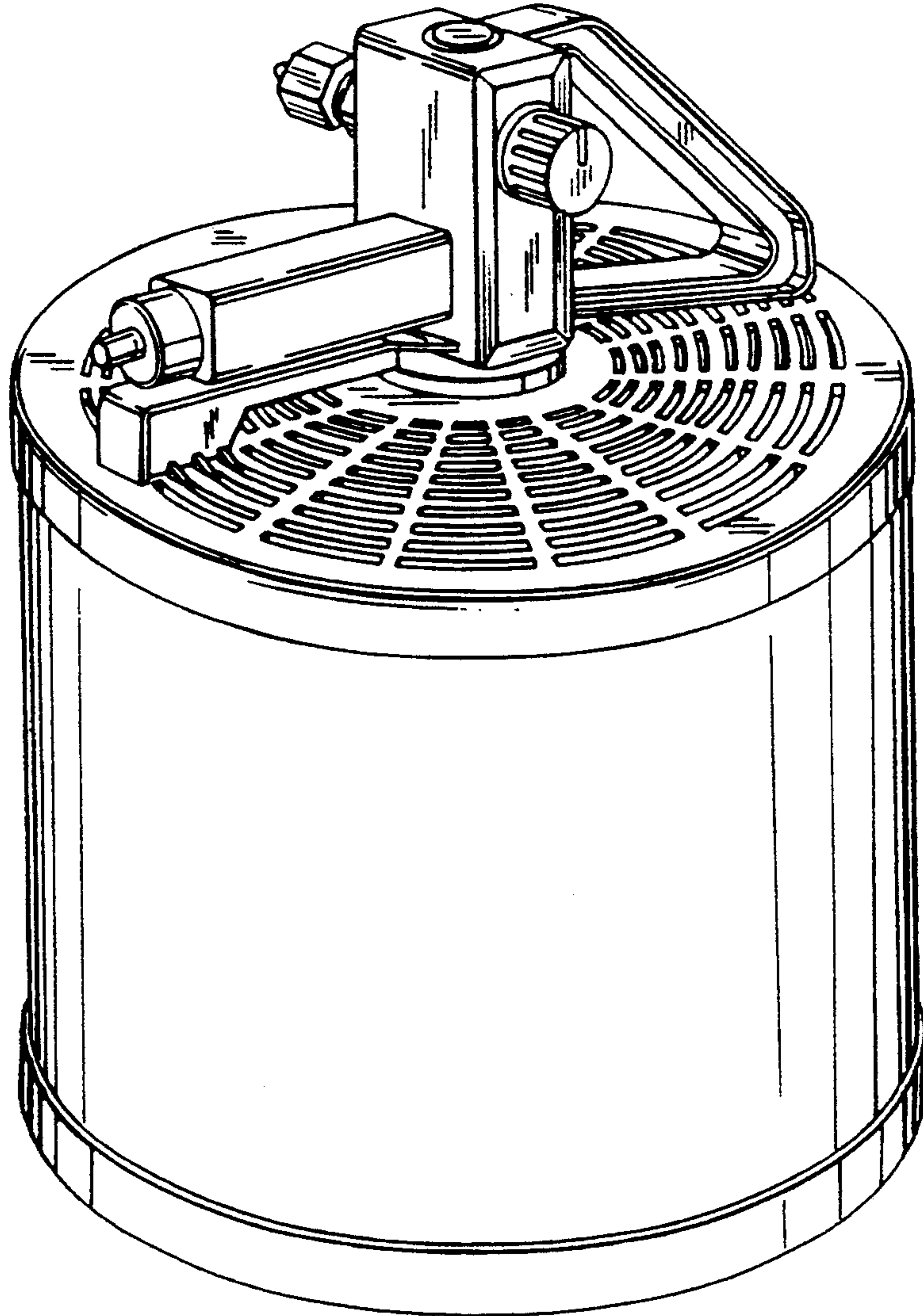


FIG. 2

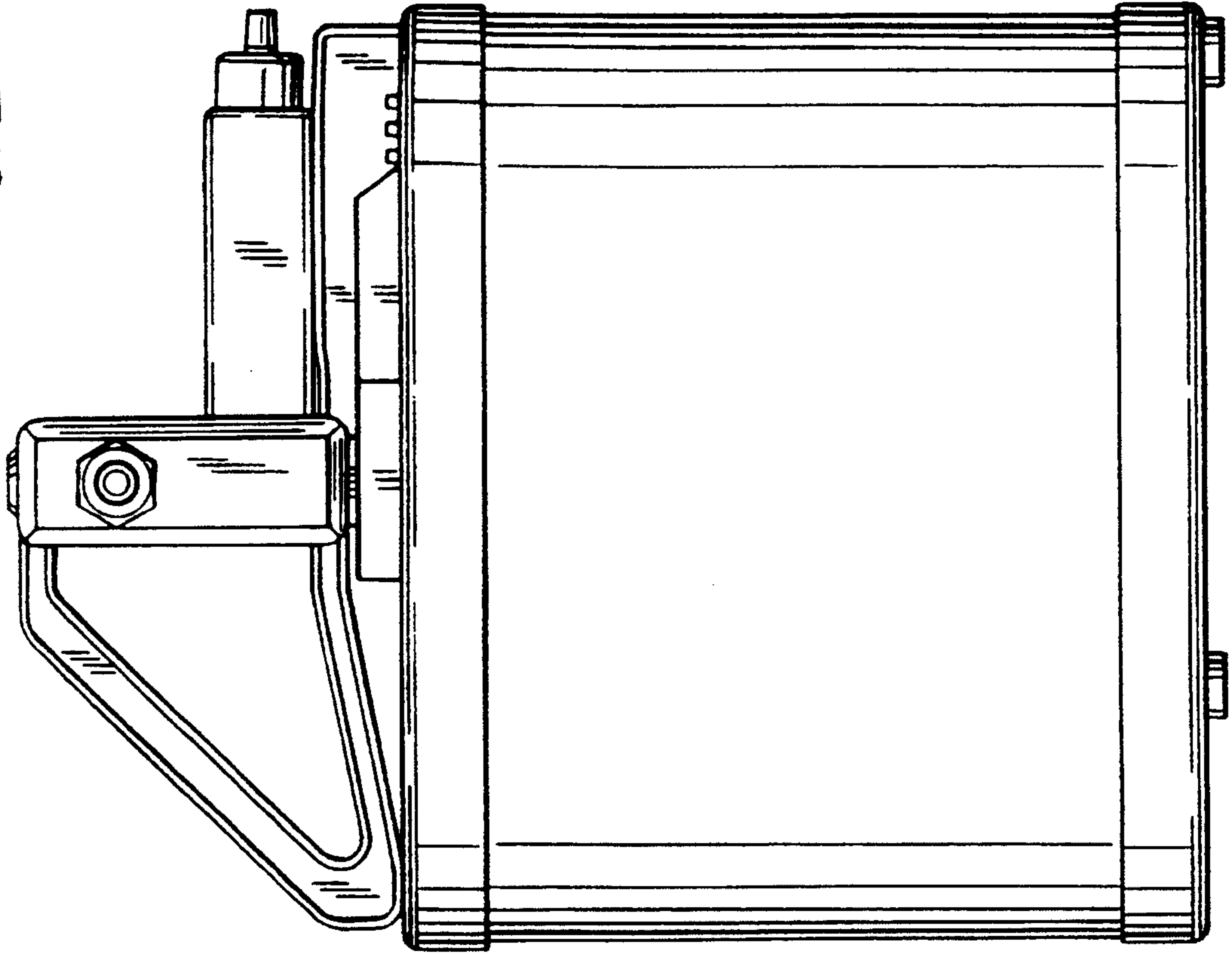


FIG. 1

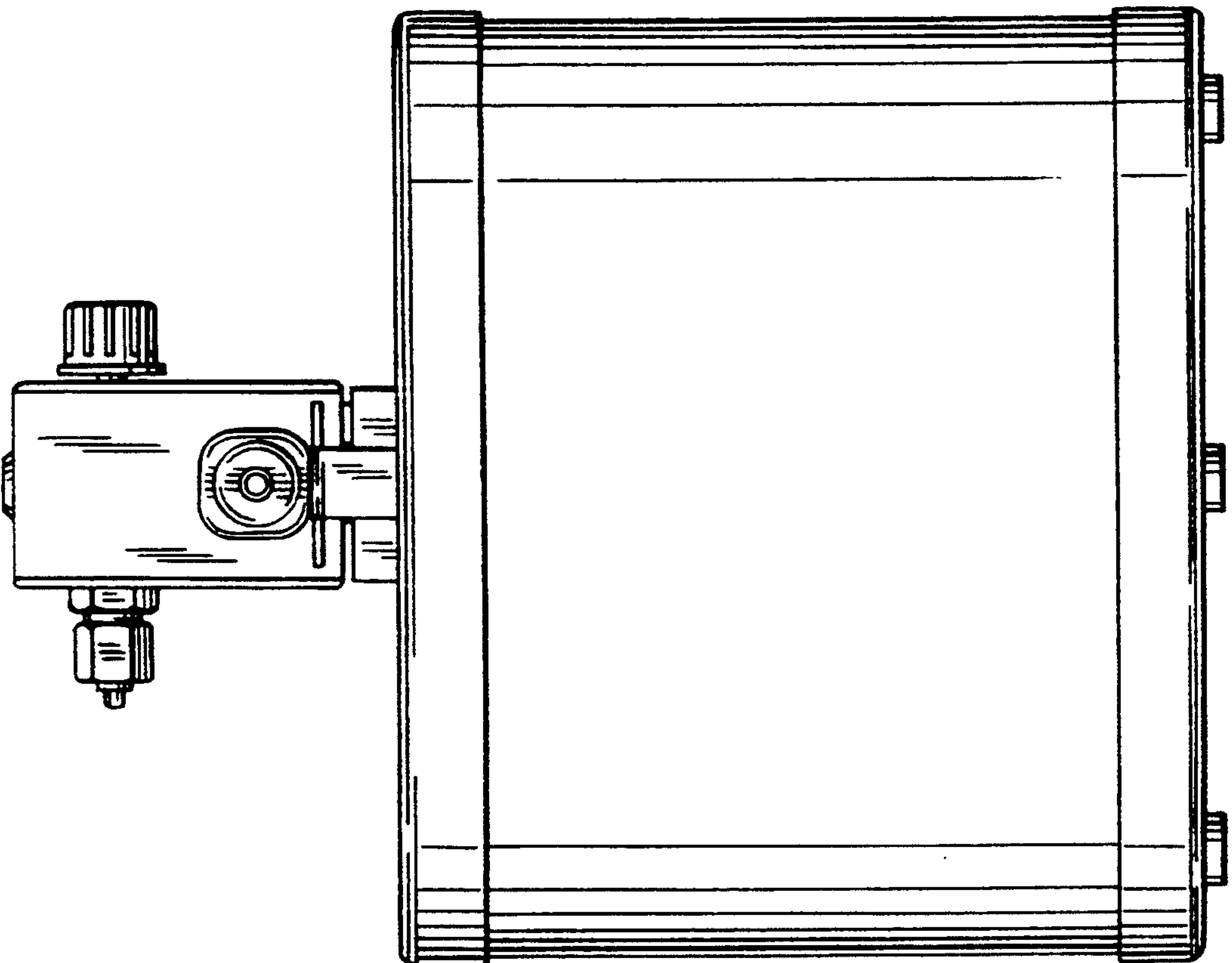


FIG. 3

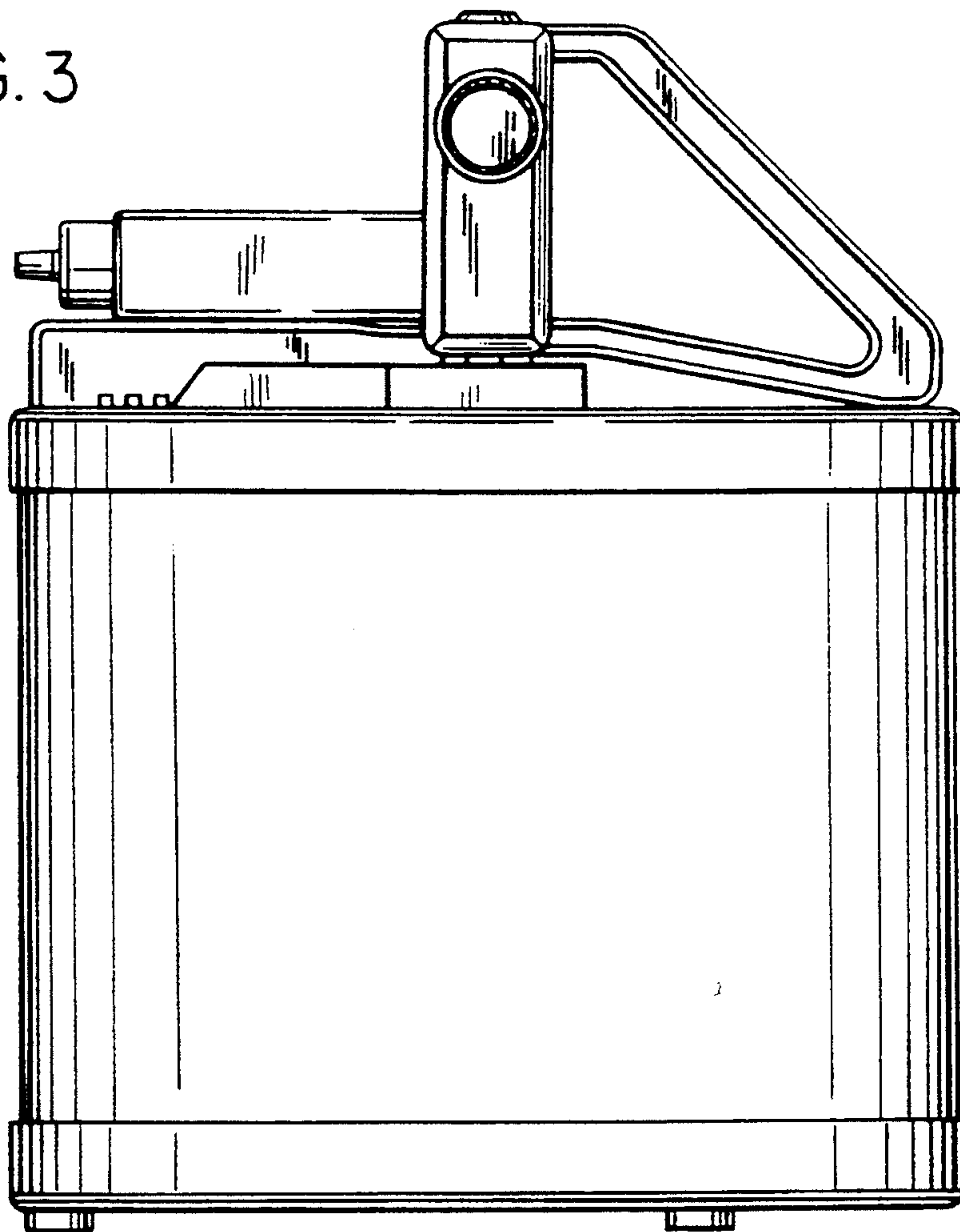


FIG. 4

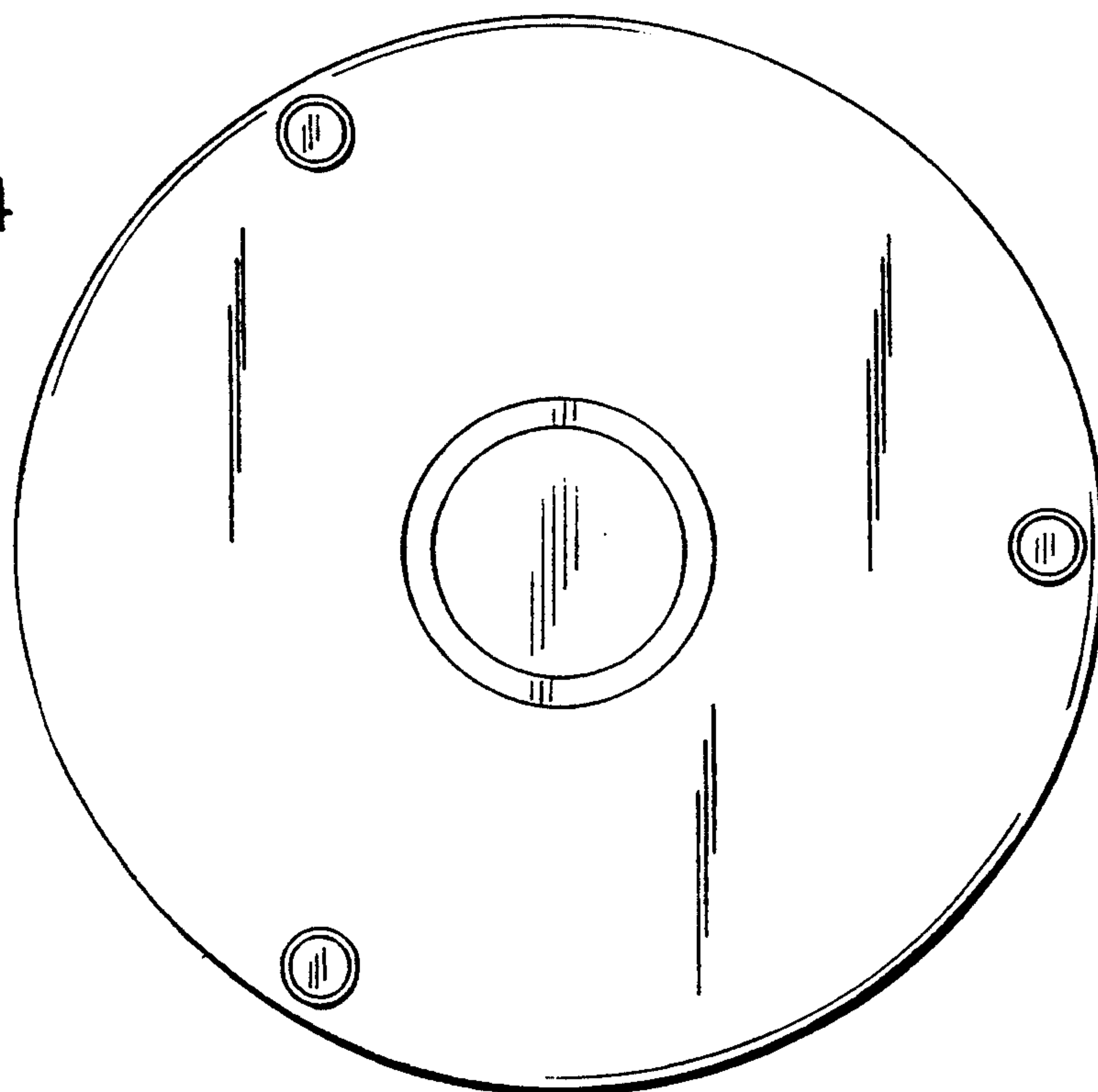


FIG. 5

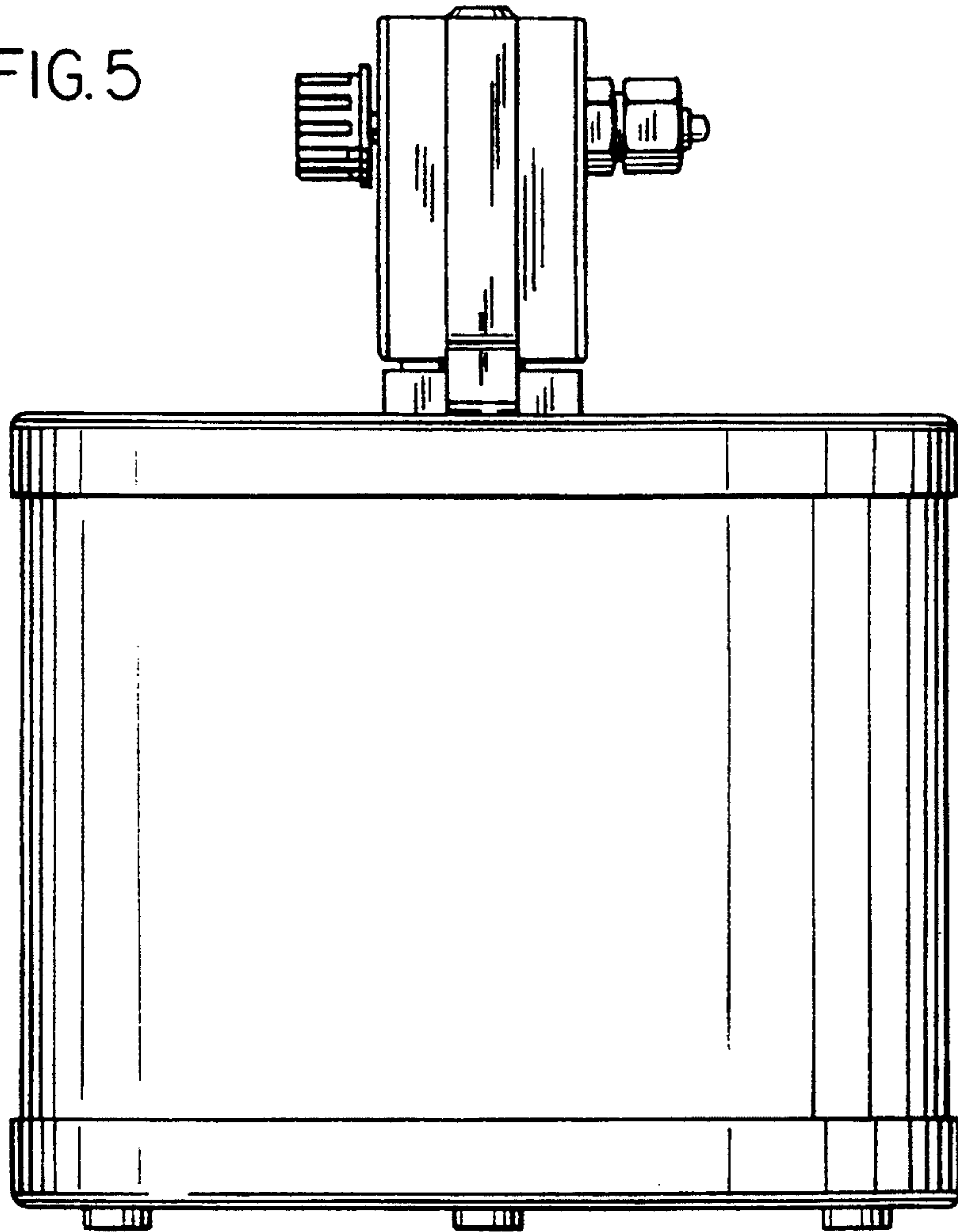


FIG. 6

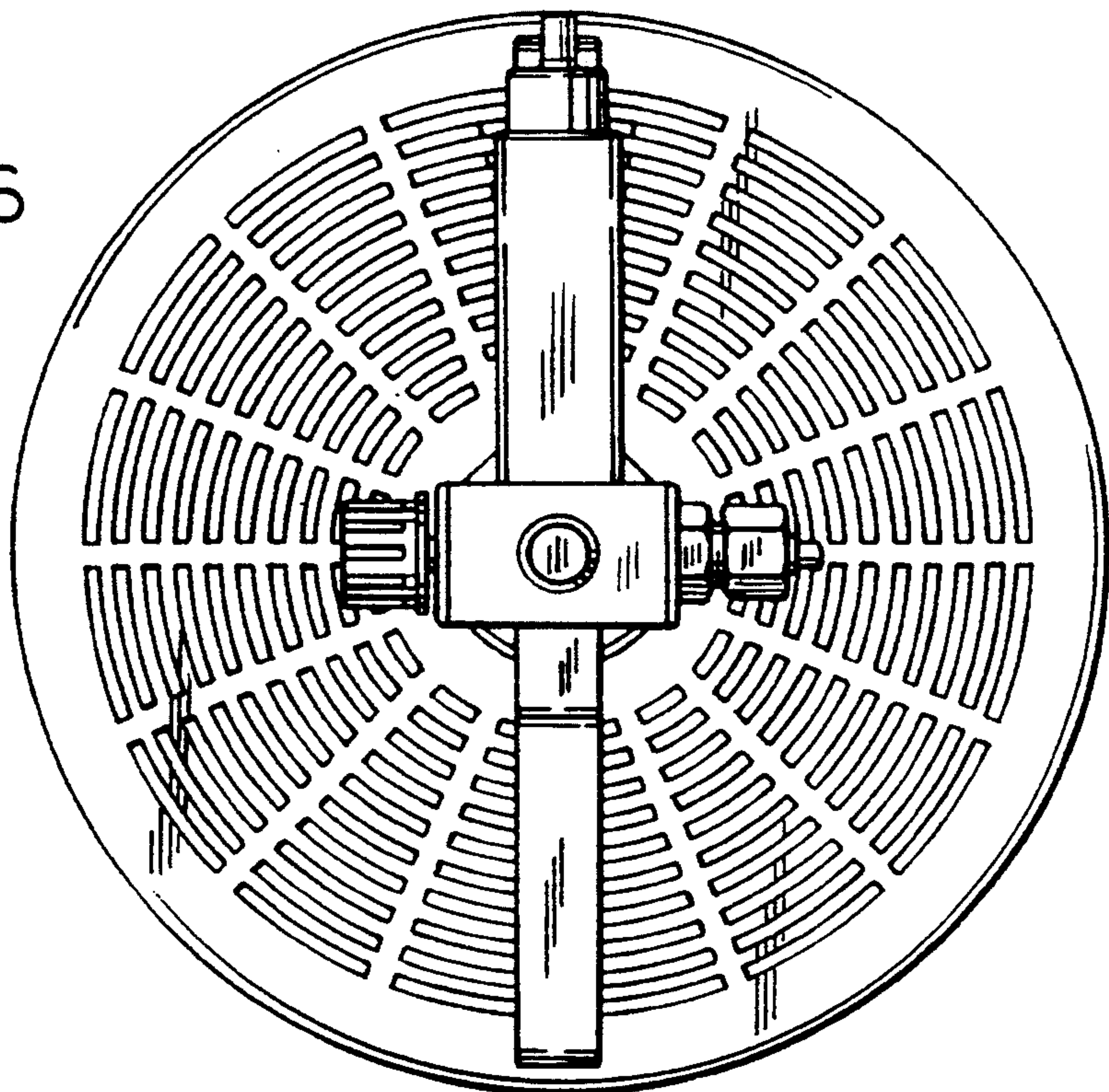


FIG. 7

