



US00D352544S

United States Patent [19]

[11] Patent Number: **Des. 352,544**

Golan

[45] Date of Patent: **** Nov. 15, 1994**

[54] **RADIATOR FILTER**

[76] Inventor: **Ilan Z. Golan**, 4404 Elenda St.,
Culver City, Calif. 90230

[**] Term: **14 Years**

[21] Appl. No.: **951,539**

[22] Filed: **Sep. 24, 1992**

[52] U.S. Cl. **D23/209**

[58] Field of Search 210/97, 198.1, 205-206,
210/231, 244-246, 257.1-257.2, 258, 260-261,
275, 282, 287-290, 295, 321.6, 321.78, 348,
416.3, 443-449; D23/207-210

[56] **References Cited**

U.S. PATENT DOCUMENTS

- D. 267,117 11/1982 Rosenberg D23/209 X
- D. 270,947 10/1983 Mehra et al. D23/209 X
- D. 282,196 1/1986 Jost D23/207
- D. 319,287 8/1991 Baumstark et al. D23/207

- D. 323,873 2/1992 Yanou et al. D23/209
- D. 326,309 5/1992 Kendrick D23/208
- 4,199,449 4/1980 Slejko 210/282 X

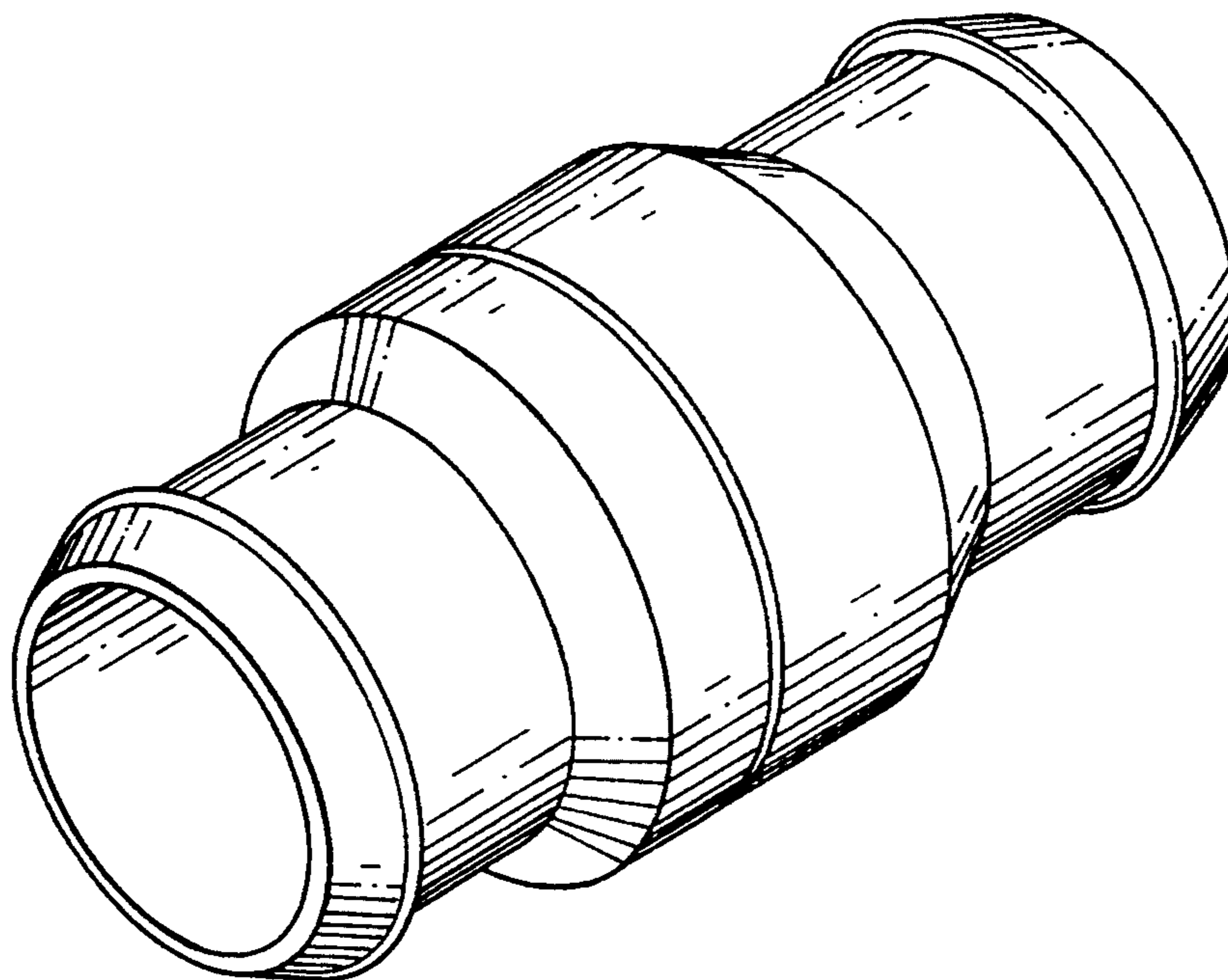
Primary Examiner—Wallace R. Burke
Assistant Examiner—M. H. Tung
Attorney, Agent, or Firm—Blakely, Sokoloff, Taylor & Zafman

[57] **CLAIM**

The ornamental design for a radiator filter, as shown and described.

DESCRIPTION

FIG. 1 is a perspective view of a radiator filter assembly comprising the present invention;
FIG. 2 is a side view thereof;
FIG. 3 is an end view thereof, the opposite end is identical; and,
FIG. 4 is a sectional view thereof taken through lines 4—4 of FIG. 3.



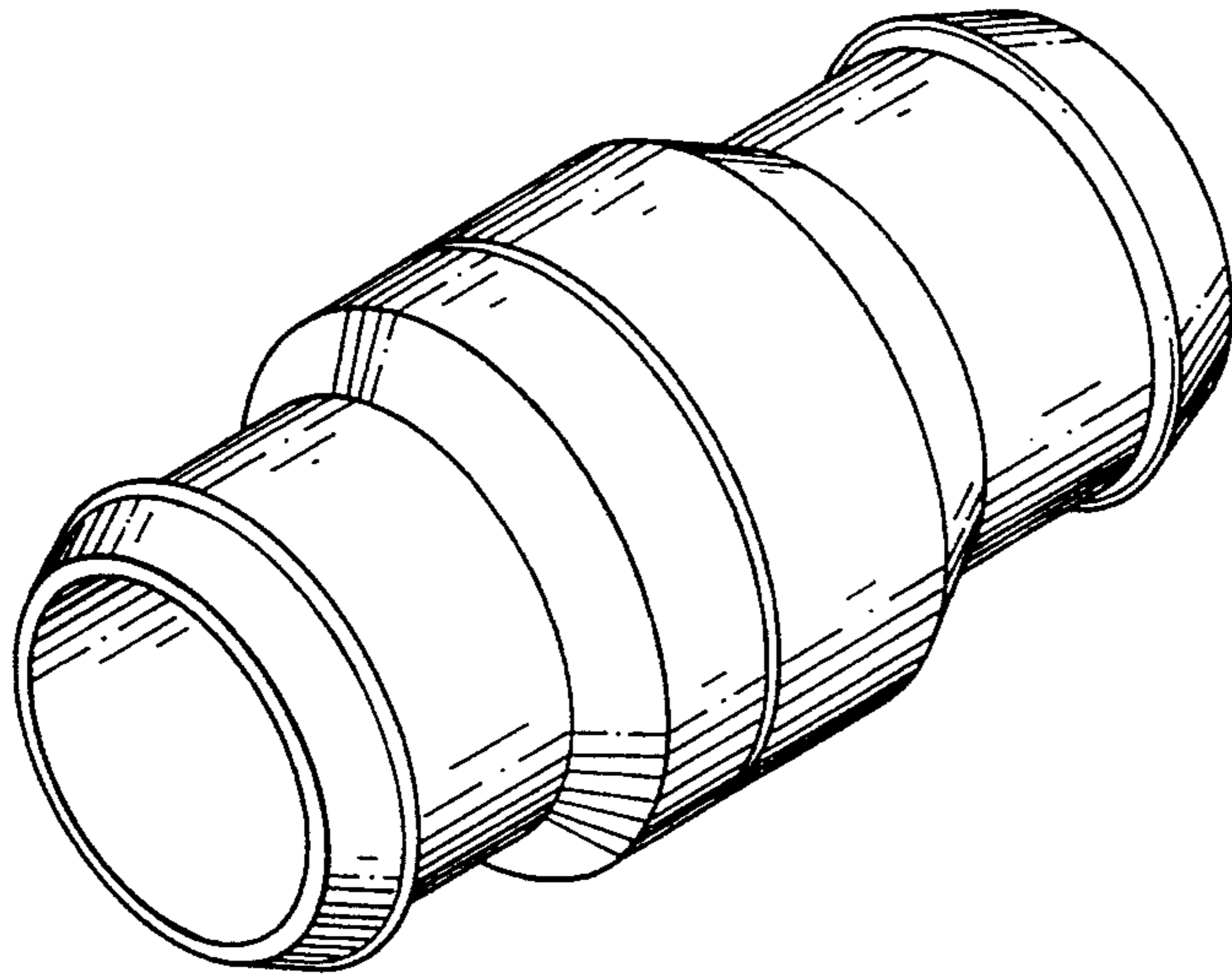


FIG. 1

FIG. 3

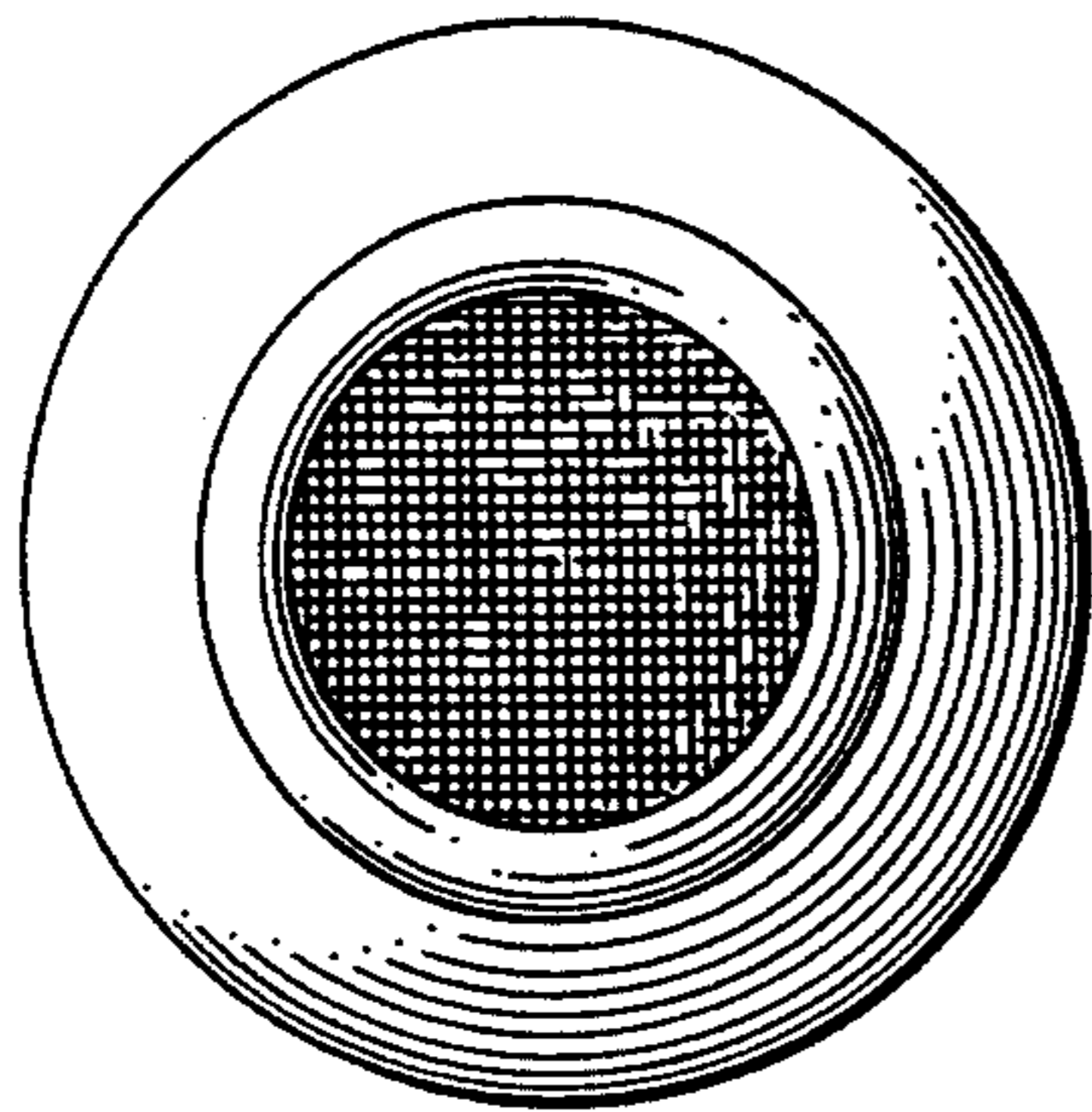


FIG. 2

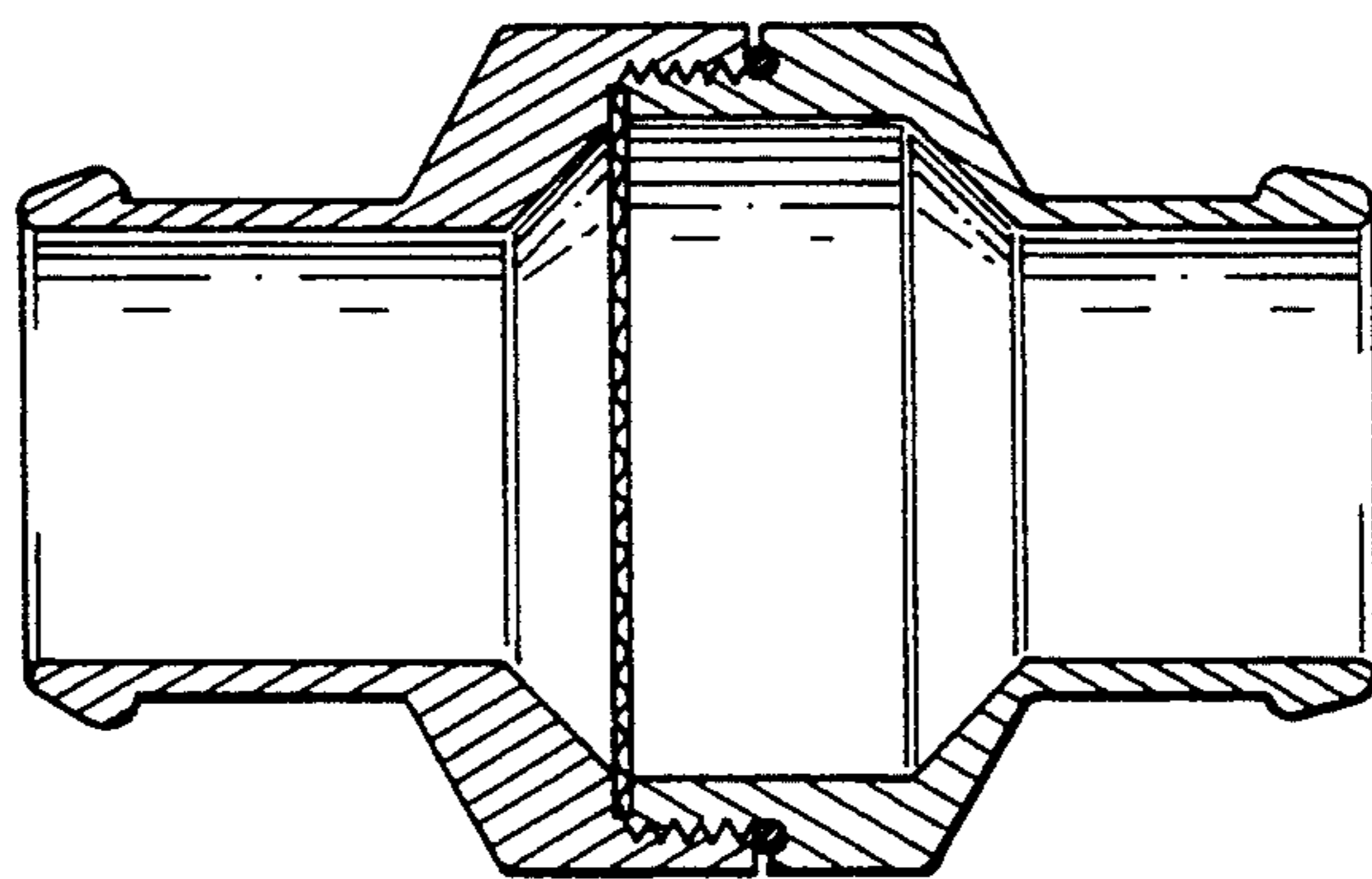
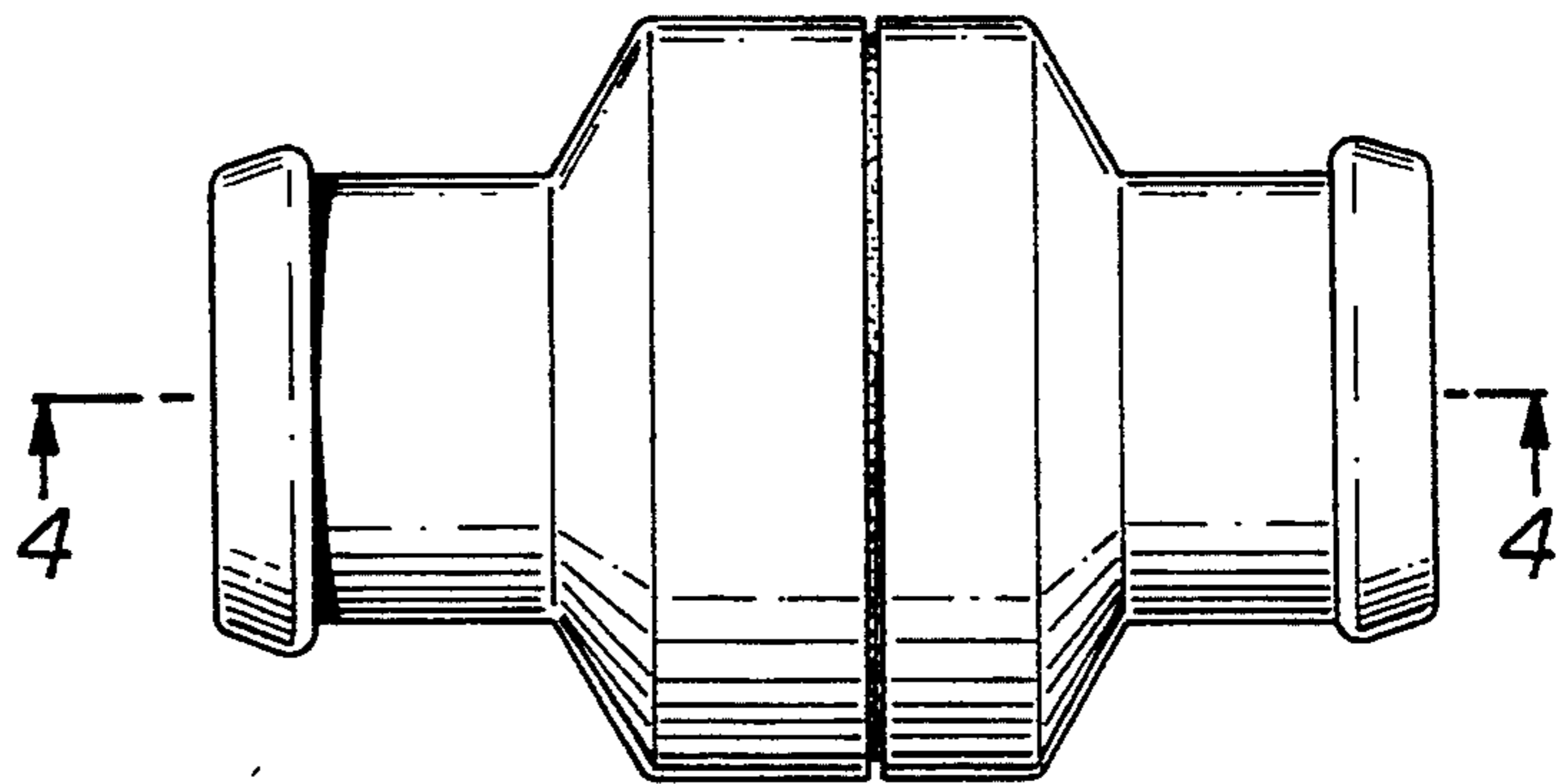


FIG. 4