



US00D352543S

United States Patent [19]

[11] Patent Number: **Des. 352,543**

Venable

[45] Date of Patent: **** Nov. 15, 1994**

[54] FISHING ROD HOLDER

4,920,681 5/1990 Toliver 43/21.2
4,932,152 6/1990 Barlotta et al. 43/21.2

[76] Inventor: **Gerry J. Venable, P.O. Box 2121,
Milan, N. Mex. 87021**

Primary Examiner—A. Hugo Word
Assistant Examiner—Doris V. Coles
Attorney, Agent, or Firm—Terry M. Gernstein

[**] Term: **14 Years**

[21] Appl. No.: **11,922**

[57] **CLAIM**

[22] Filed: **Aug. 18, 1993**

The ornamental design for a fishing rod holder, as shown and described.

[52] U.S. Cl. **D22/147; D22/134;
D22/148**

DESCRIPTION

[58] Field of Search 43/21.2, 15, 16, 17;
248/512, 530, 533, 538; D22/147, 148, 134

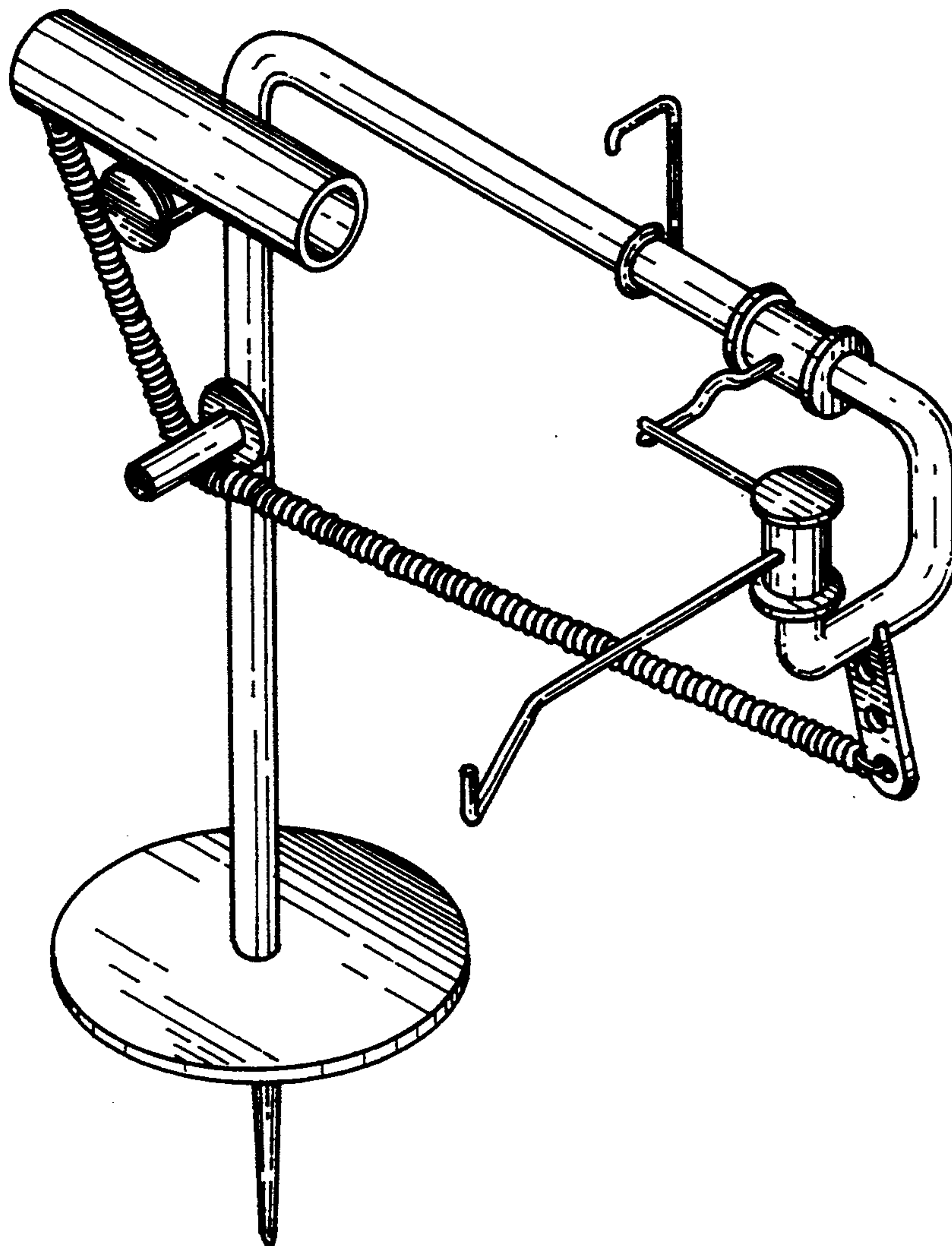
FIG. 1 is a front, top and side perspective view of the fishing rod holder showing my new design; FIG. 2 is a front elevational view thereof; FIG. 3 is a rear elevational view thereof; FIG. 4 is a side elevational view thereof; FIG. 5 is a side elevational view thereof; FIG. 6 is a top plan view thereof; and, FIG. 7 is a bottom plan view thereof.

[56] **References Cited**

U.S. PATENT DOCUMENTS

D. 344,321	2/1994	DeWitt	D22/147	X
2,786,294	3/1957	Whitacre	43/17	
3,570,793	3/1971	Shackel	43/21.2	X
3,618,068	11/1971	Sloan	43/17	
4,916,847	4/1990	Rusgo	43/21.2	

Part of claimed design in FIGS. 2-5 has been broken away for the convenience of illustration.



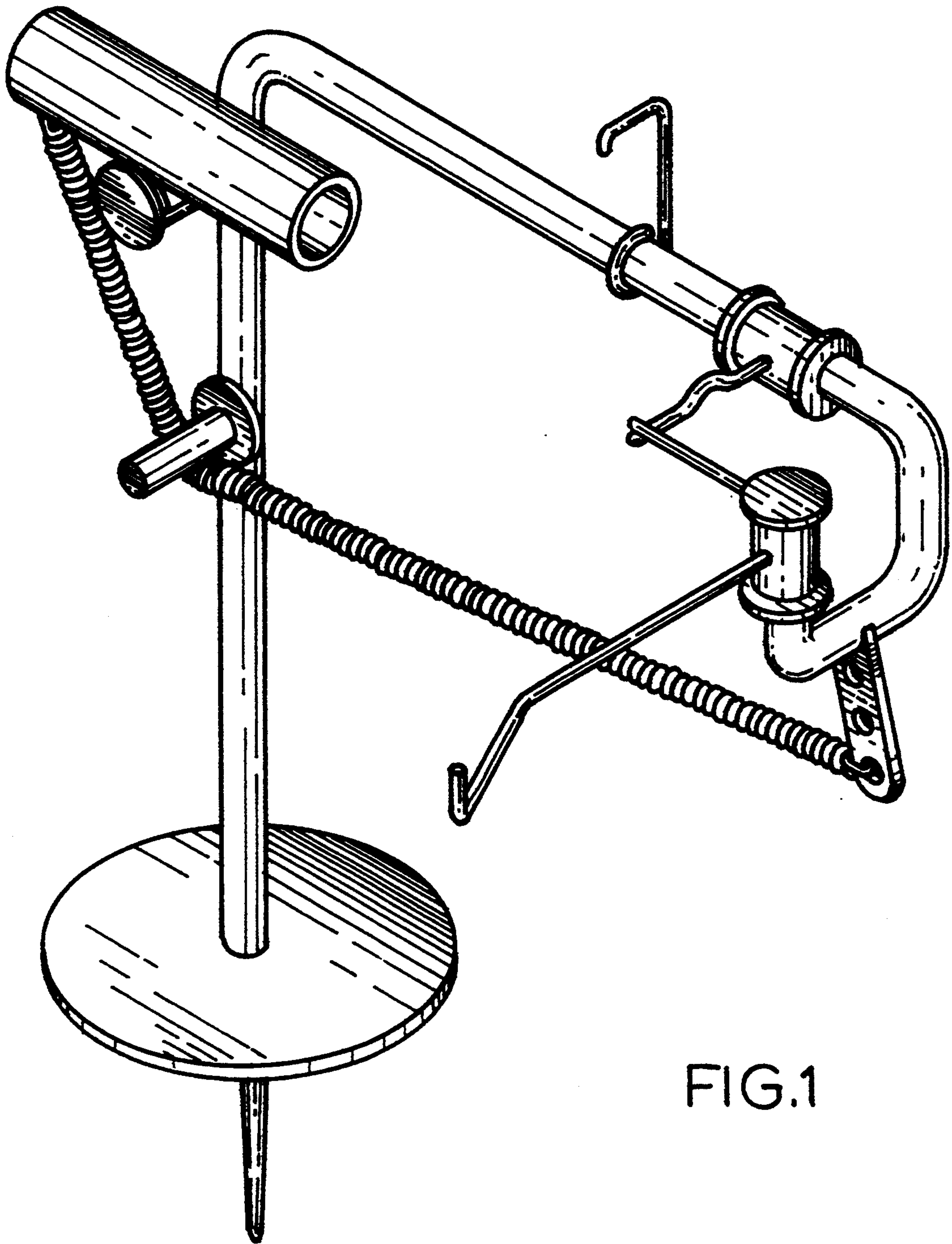


FIG.1

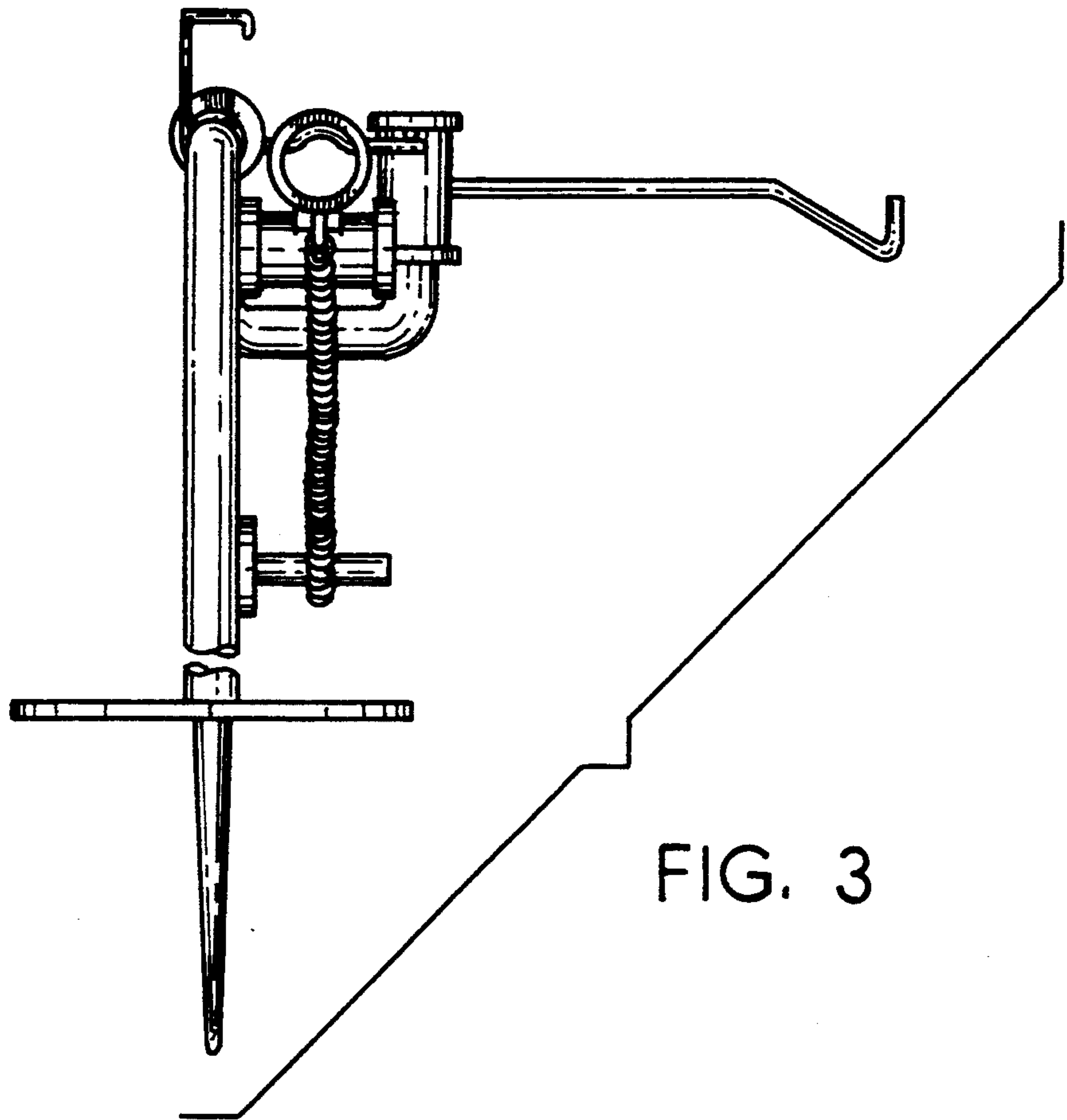


FIG. 3

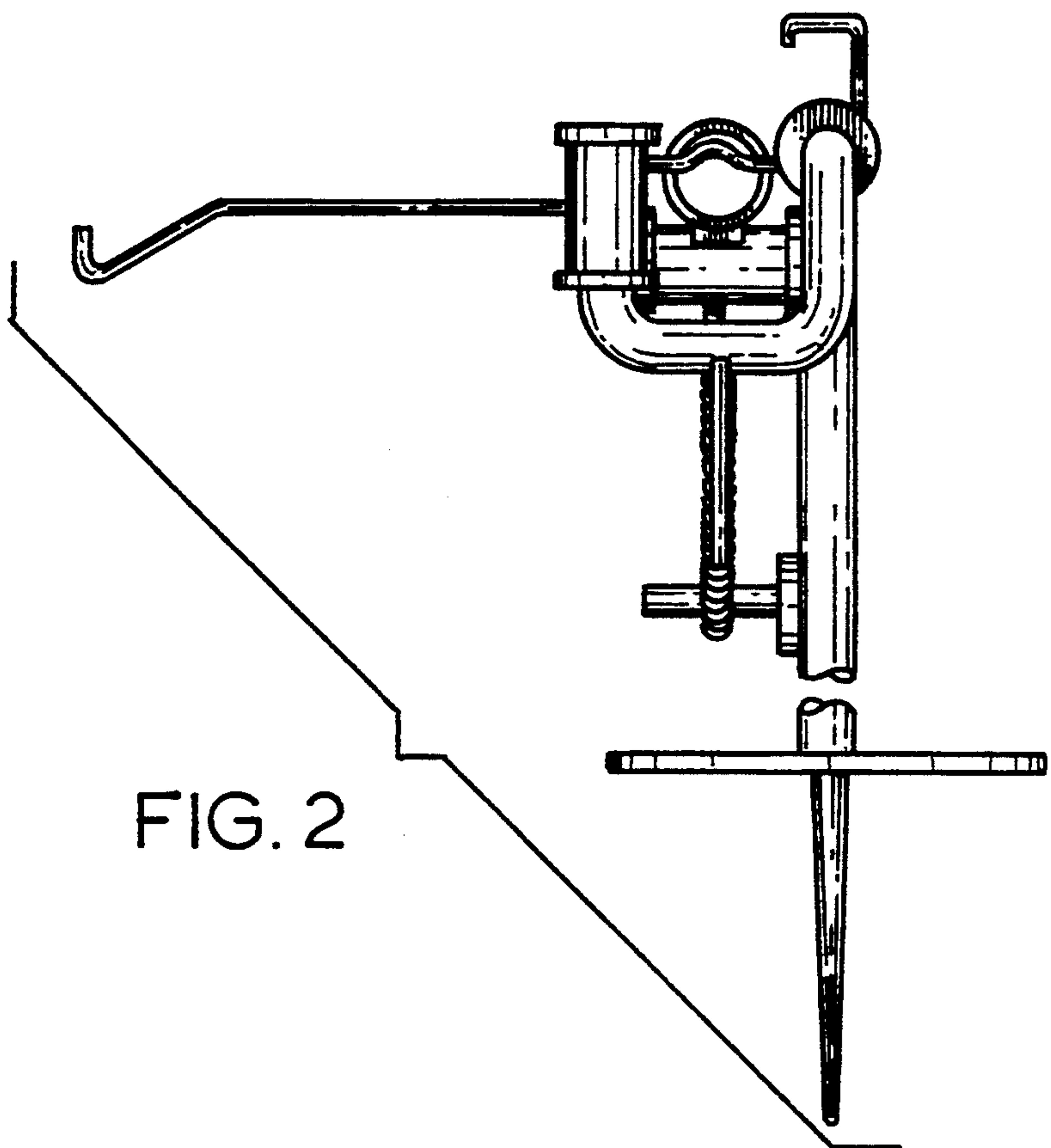


FIG. 2

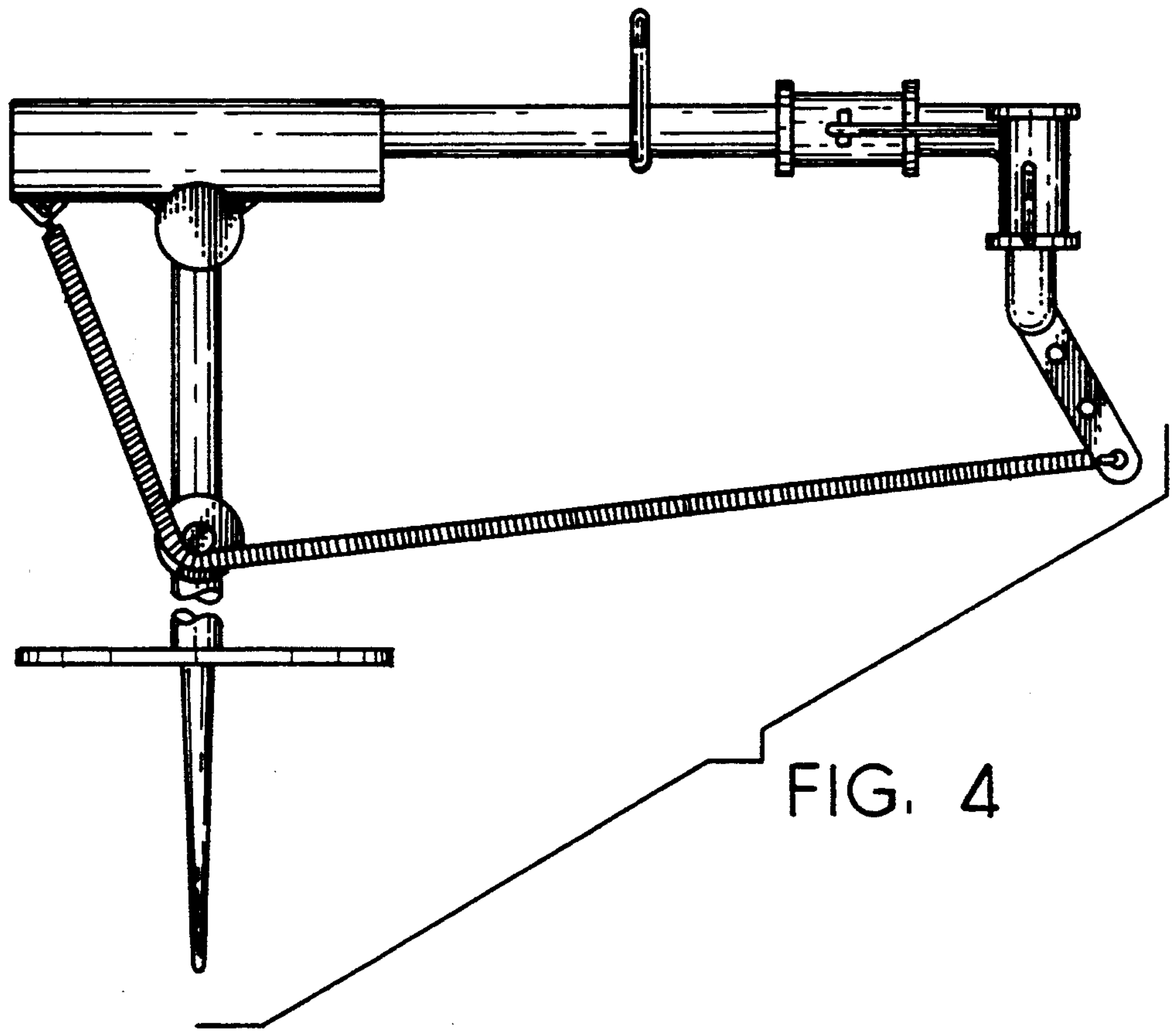


FIG. 4

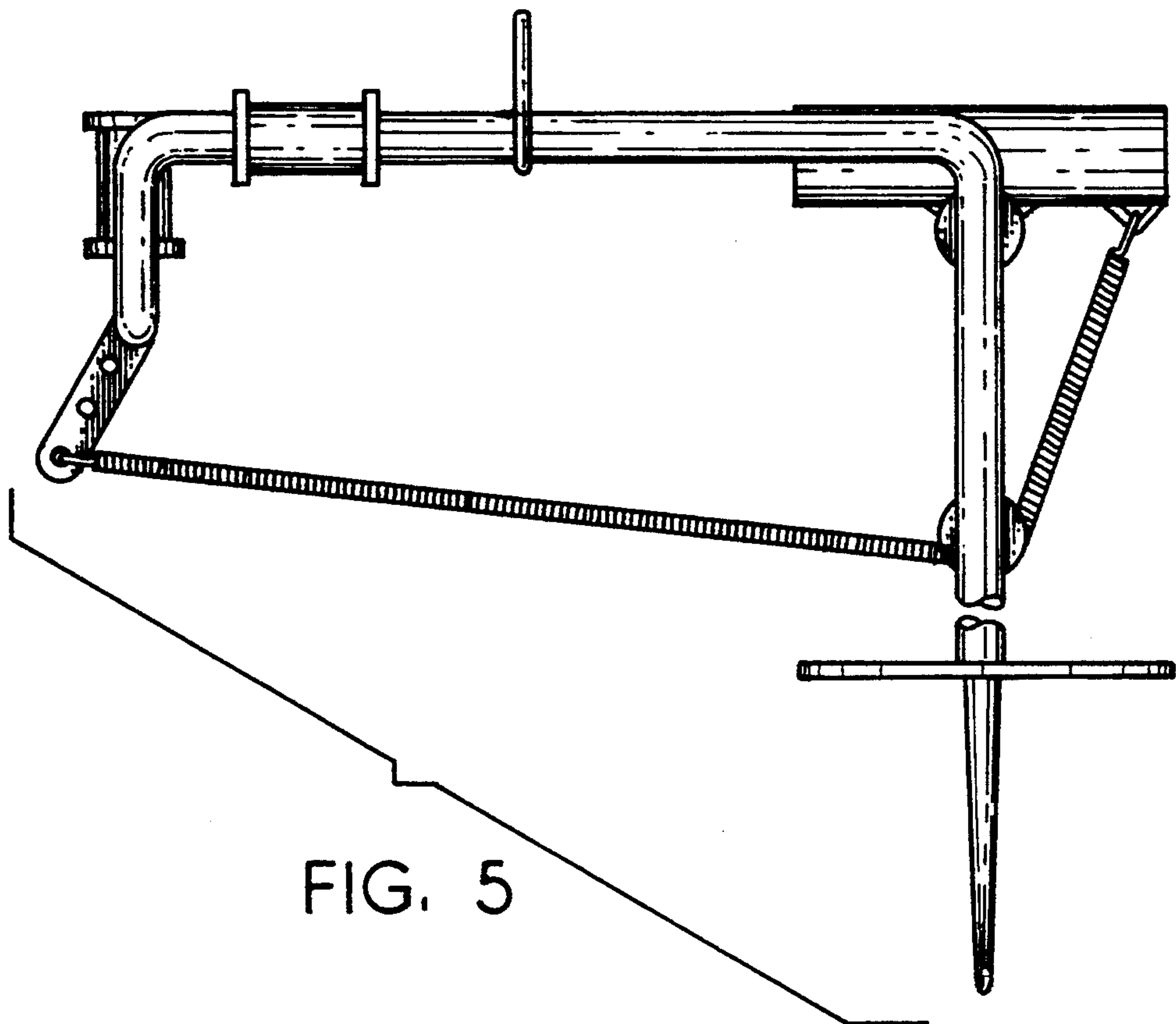


FIG. 5

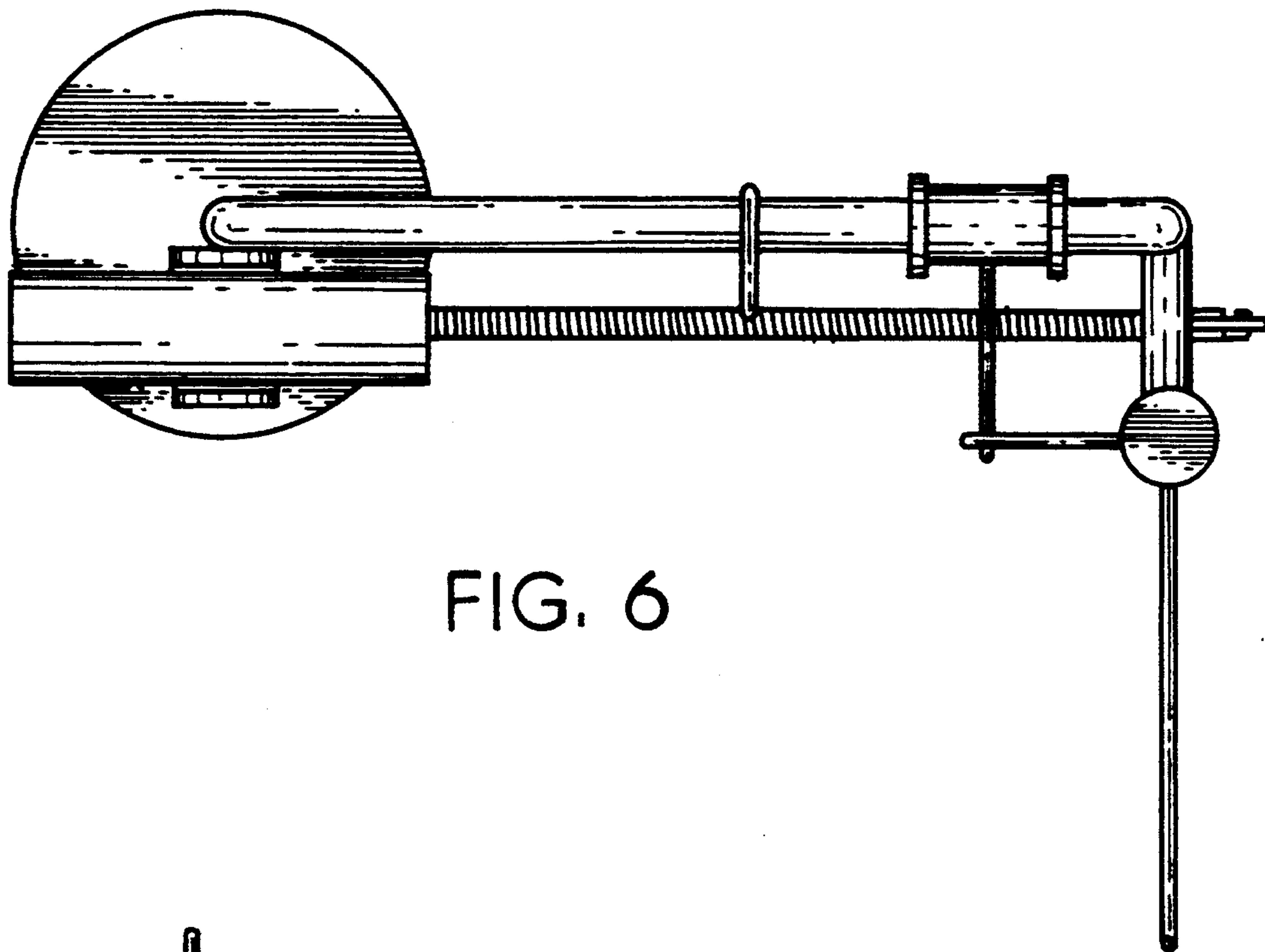


FIG. 6

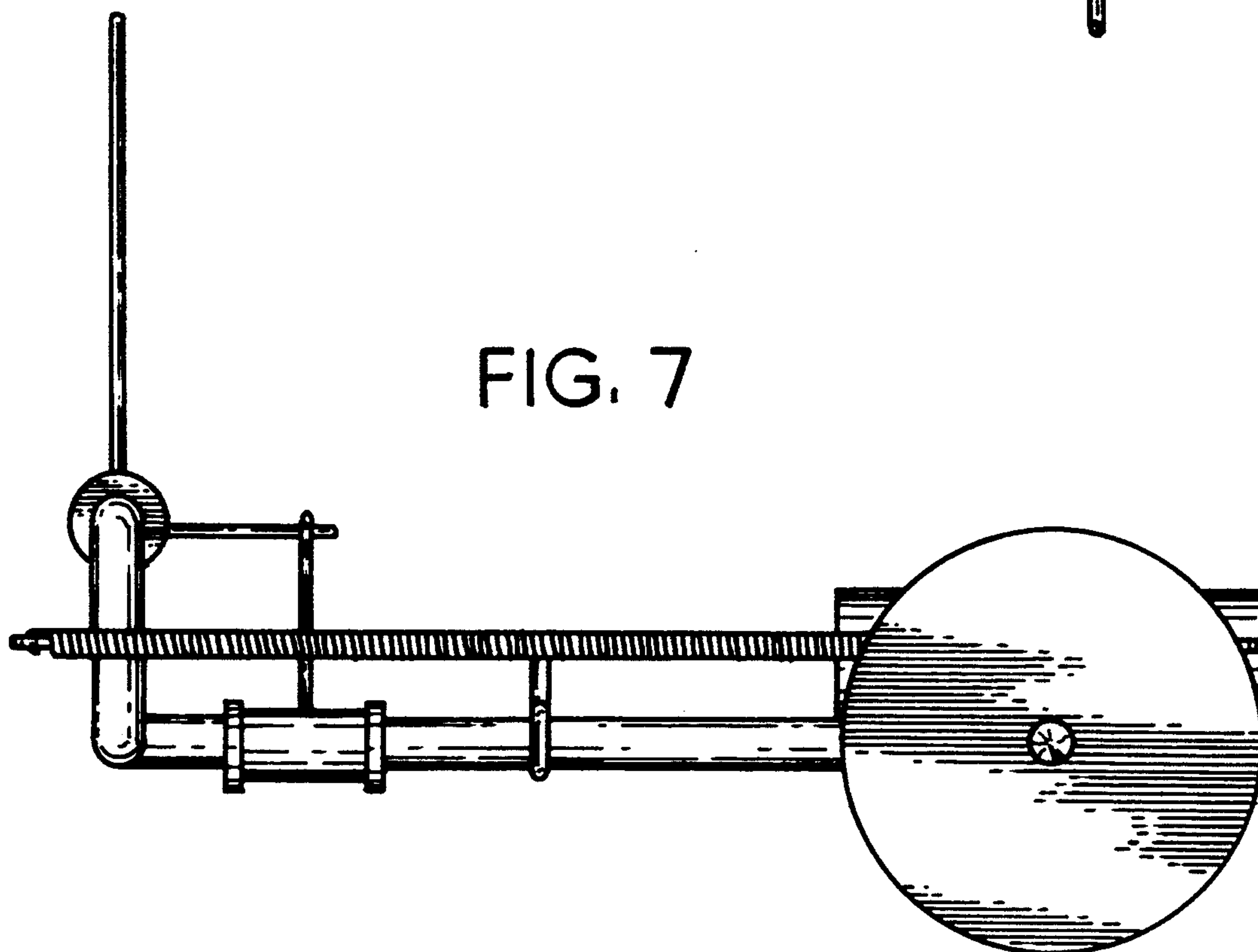


FIG. 7