



US00D352542S

United States Patent [19]

[11] Patent Number: **Des. 352,542**

Onishi

[45] Date of Patent: **** Nov. 15, 1994**

[54] SPINNING REEL

[75] Inventor: **Kenji Onishi**, Sakai, Japan

[73] Assignee: **Shimano Inc.**, Osaka, Japan

[**] Term: **14 Years**

[21] Appl. No.: **948,860**

[22] Filed: **Sep. 15, 1992**

[52] U.S. Cl. **D22/141**

[58] Field of Search 242/224, 230, 231, 232,
242/233, 245, 246, 247, 248; D22/141

[56] References Cited

U.S. PATENT DOCUMENTS

- D. 330,245 10/1992 Shiozaki D22/141
- D. 333,503 2/1993 Myojo D22/141
- D. 333,504 2/1993 Myojo D22/141

OTHER PUBLICATIONS

Cabela's Spring 1991 ©1989, p. 23, Shimano Solstace & GTX Speedmaster Reels.

Primary Examiner—A. Hugo Word

Assistant Examiner—Doris V. Coles

Attorney, Agent, or Firm—Dickstein, Shapiro & Morin

[57] CLAIM

The ornamental design for a spinning reel, as shown and described.

DESCRIPTION

FIG. 1 is a front view of my spinning reel;

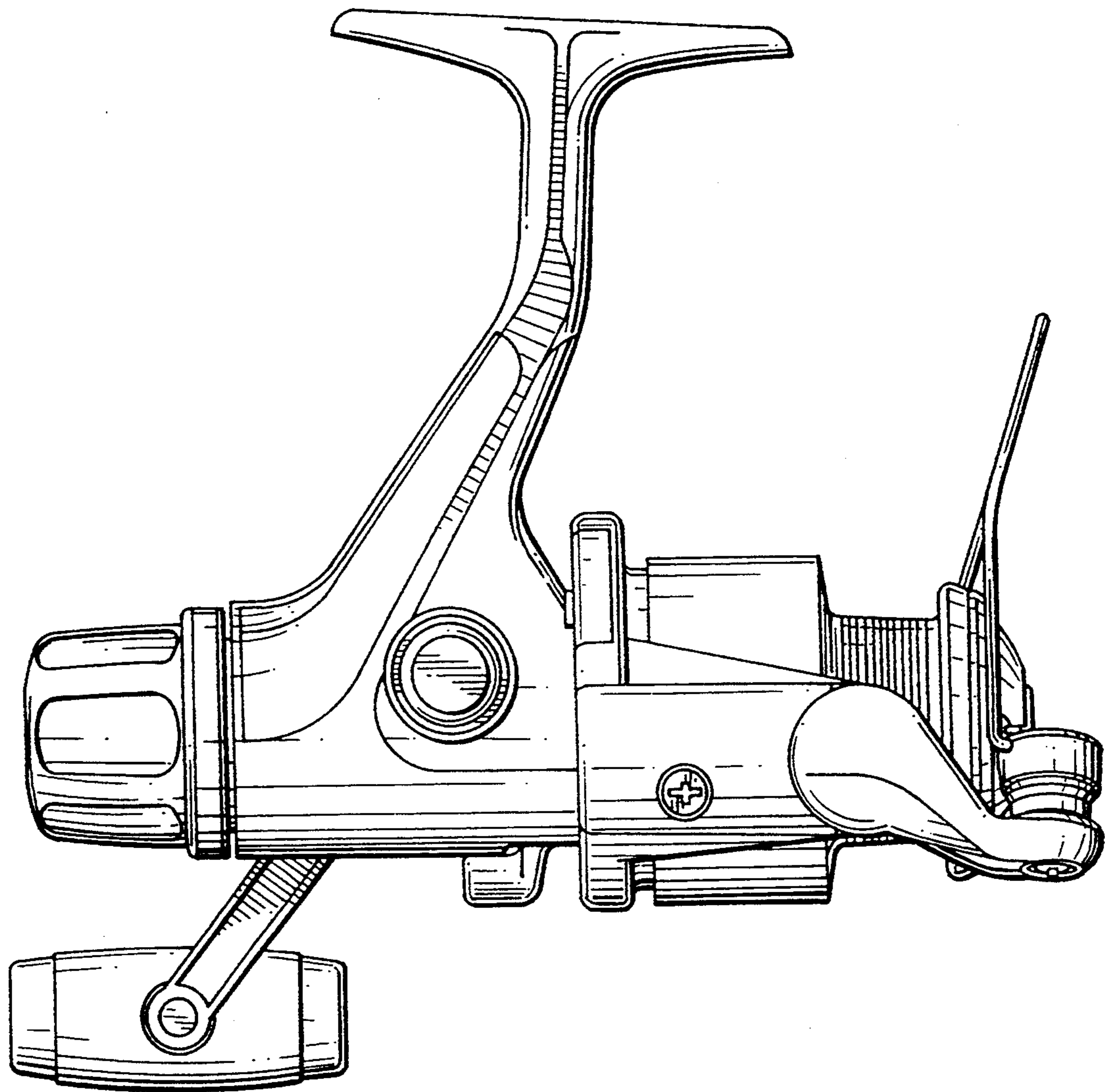
FIG. 2 is a rear view thereof;

FIG. 3 is a left side view thereof;

FIG. 4 is a right side view thereof;

FIG. 5 is a top plan view thereof; and,

FIG. 6 is a bottom view thereof.



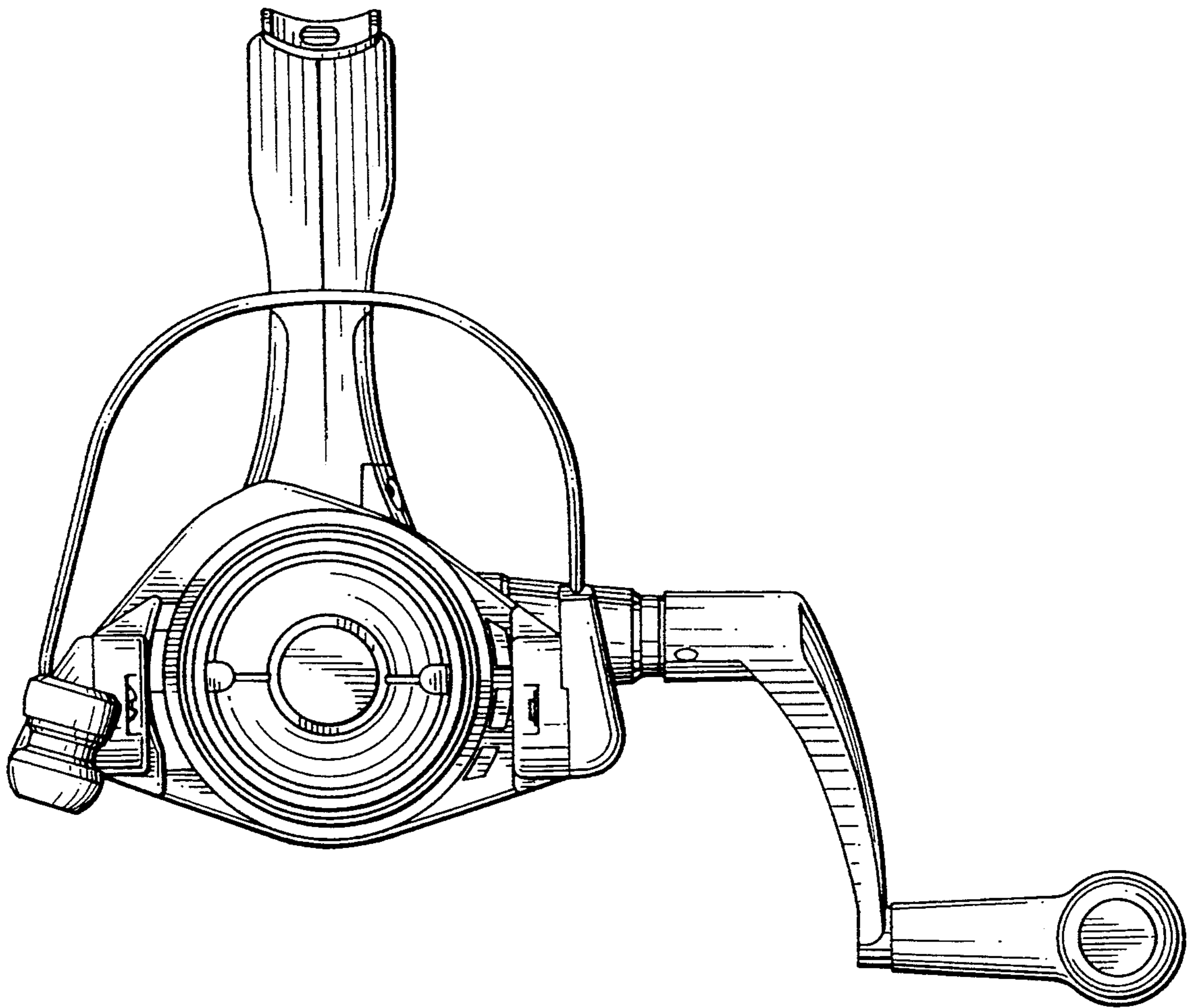


FIG. 1

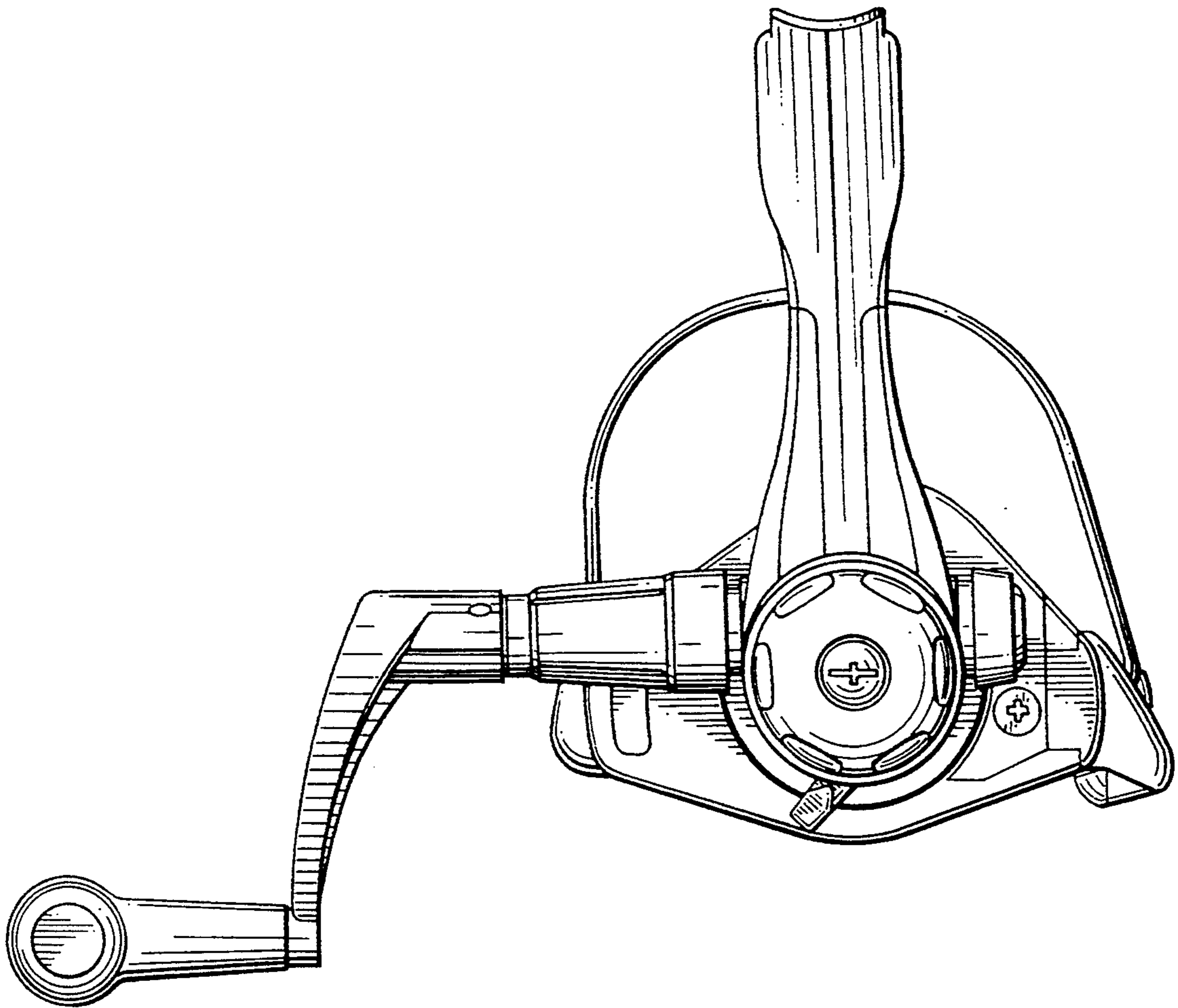


FIG. 2

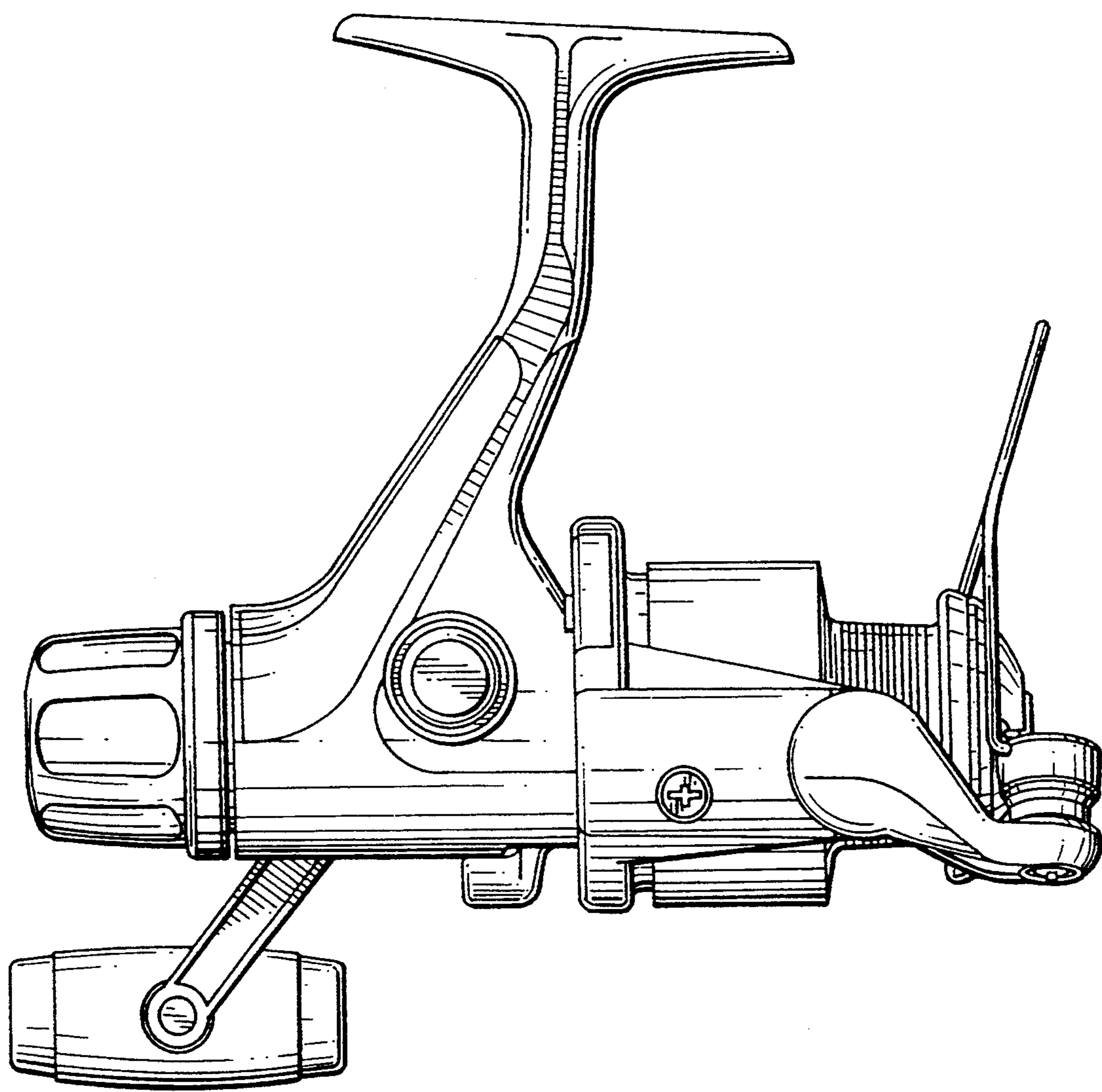


FIG. 3

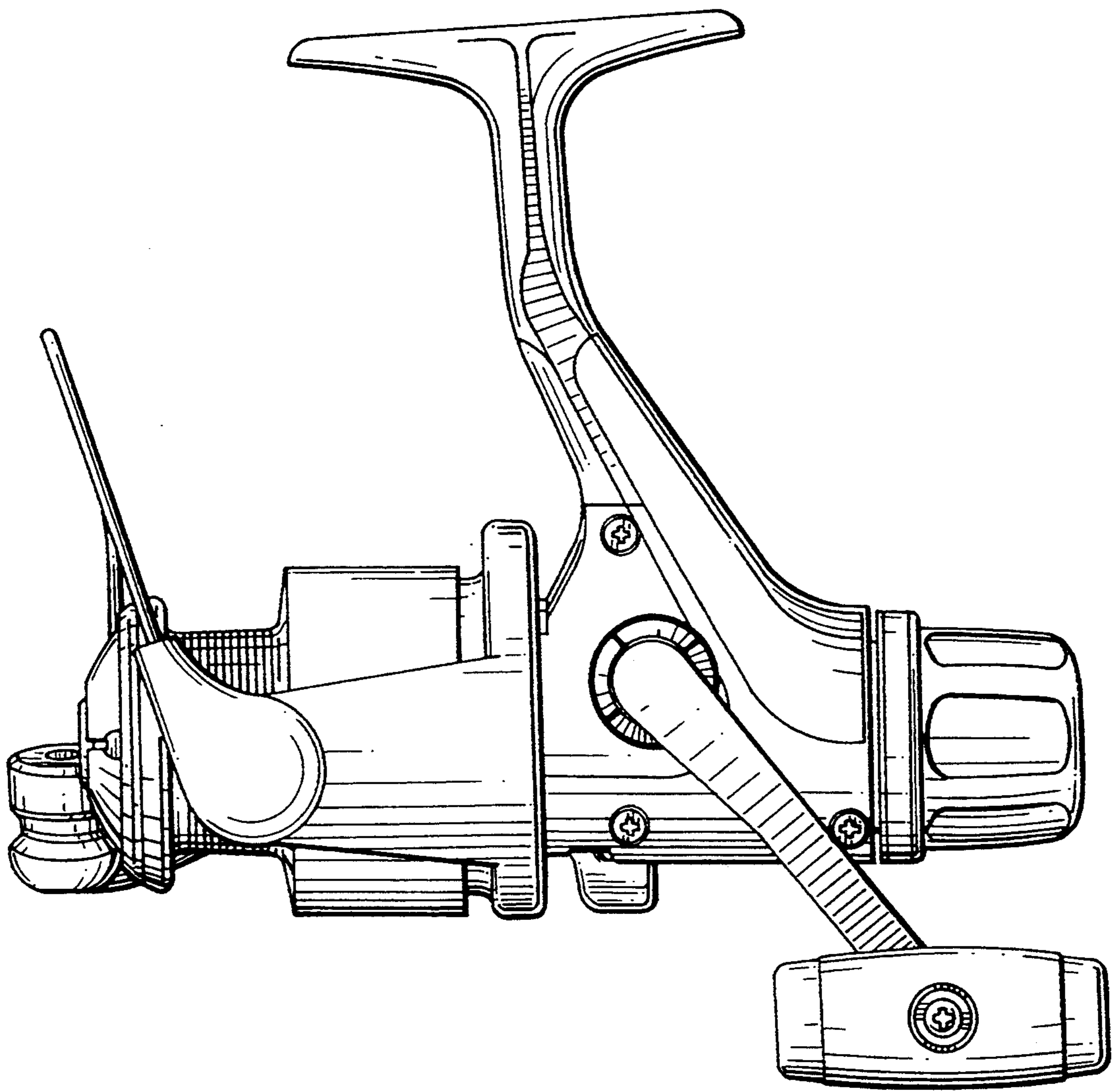


FIG. 4

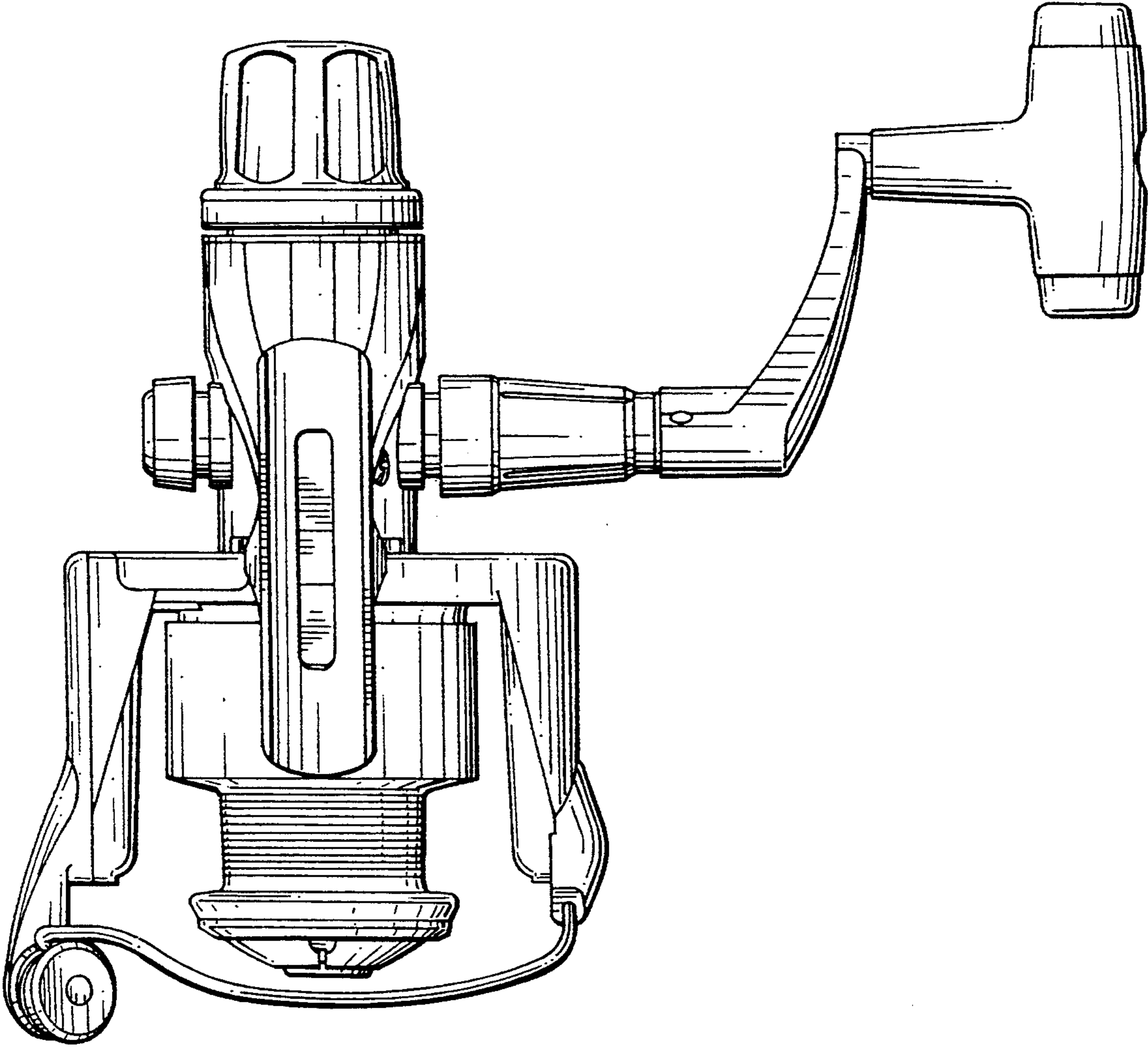


FIG. 5

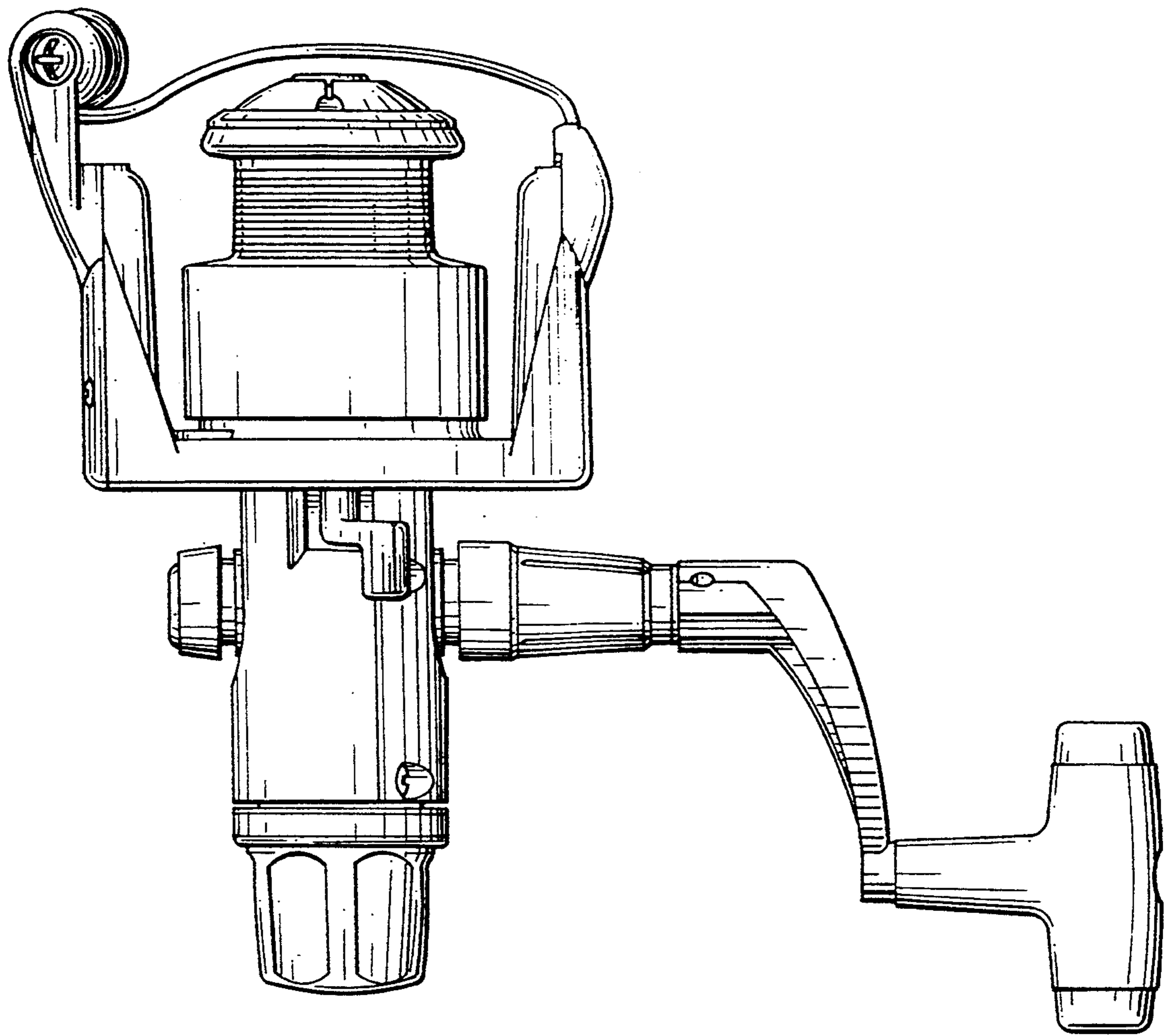


FIG. 6