



US00D352540S

United States Patent [19]

[11] Patent Number: **Des. 352,540**

Harger

[45] Date of Patent: **** Nov. 15, 1994**

[54] **GYMNASIUM INSERT FOR A PLAYPEN**

4,804,176 2/1989 Goble 482/35 X
4,877,237 10/1989 Goble 482/35 X

[76] Inventor: **Jonathan D. Harger**, 139 Soi Lercha
1, Paholvolthin Rd., Bangkok,
Thailand 10400

Primary Examiner—Bernard Ansher
Assistant Examiner—M. Siegel
Attorney, Agent, or Firm—Jacobson, Price, Holman &
Stern

[**] Term: **14 Years**

[21] Appl. No.: **8,306**

[22] Filed: **May 13, 1993**

[52] U.S. Cl. **D21/245; D21/240;**
D21/243

[57] **CLAIM**

The ornamental design for a gymnasium insert for a playpen, as shown and described.

[58] Field of Search 482/35; 472/136;
D6/331; D21/240, 245

DESCRIPTION

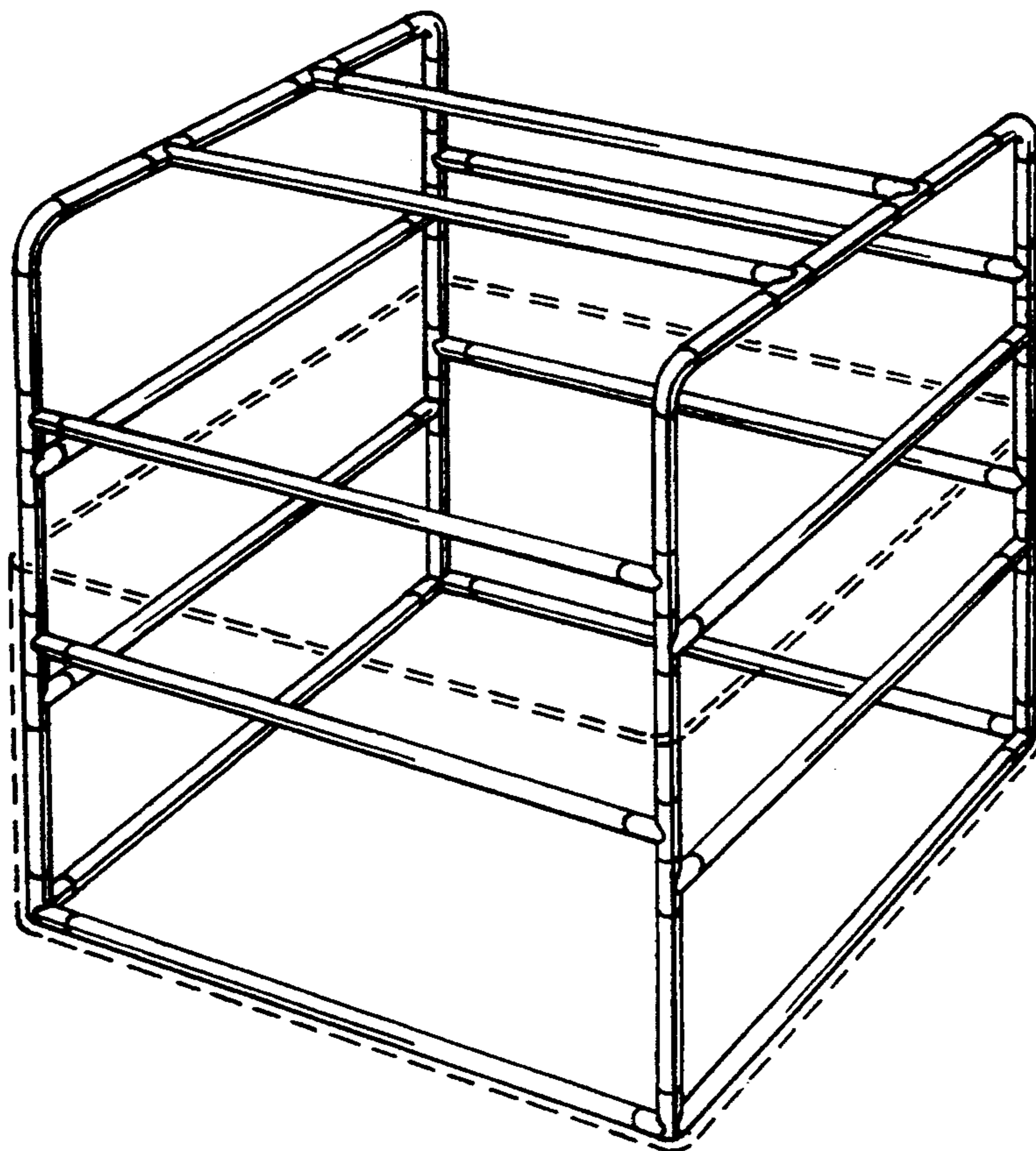
[56] **References Cited**

U.S. PATENT DOCUMENTS

D. 187,138	2/1960	Highberger	D21/243
D. 188,201	6/1960	Epstein	D21/245
825,137	7/1906	Lee	.	
1,185,176	5/1916	Cardozo	.	
1,877,833	9/1932	Ferrell	.	
2,126,636	8/1938	Horne	272/60
2,555,791	9/1941	Klopfers et al.	5/93

FIG. 1 is a perspective view of a gymnasium insert for a playpen showing my new design;
FIG. 2 is an end elevational view thereof, the opposite end being a mirror image thereof;
FIG. 3 is a side elevational view thereof, the opposite side being a mirror image thereof; and,
FIG. 4 is a top plan view thereof.

The broken line showing of a playpen in FIG. 1 is for illustrative purposes only and forms no part of the claimed design.



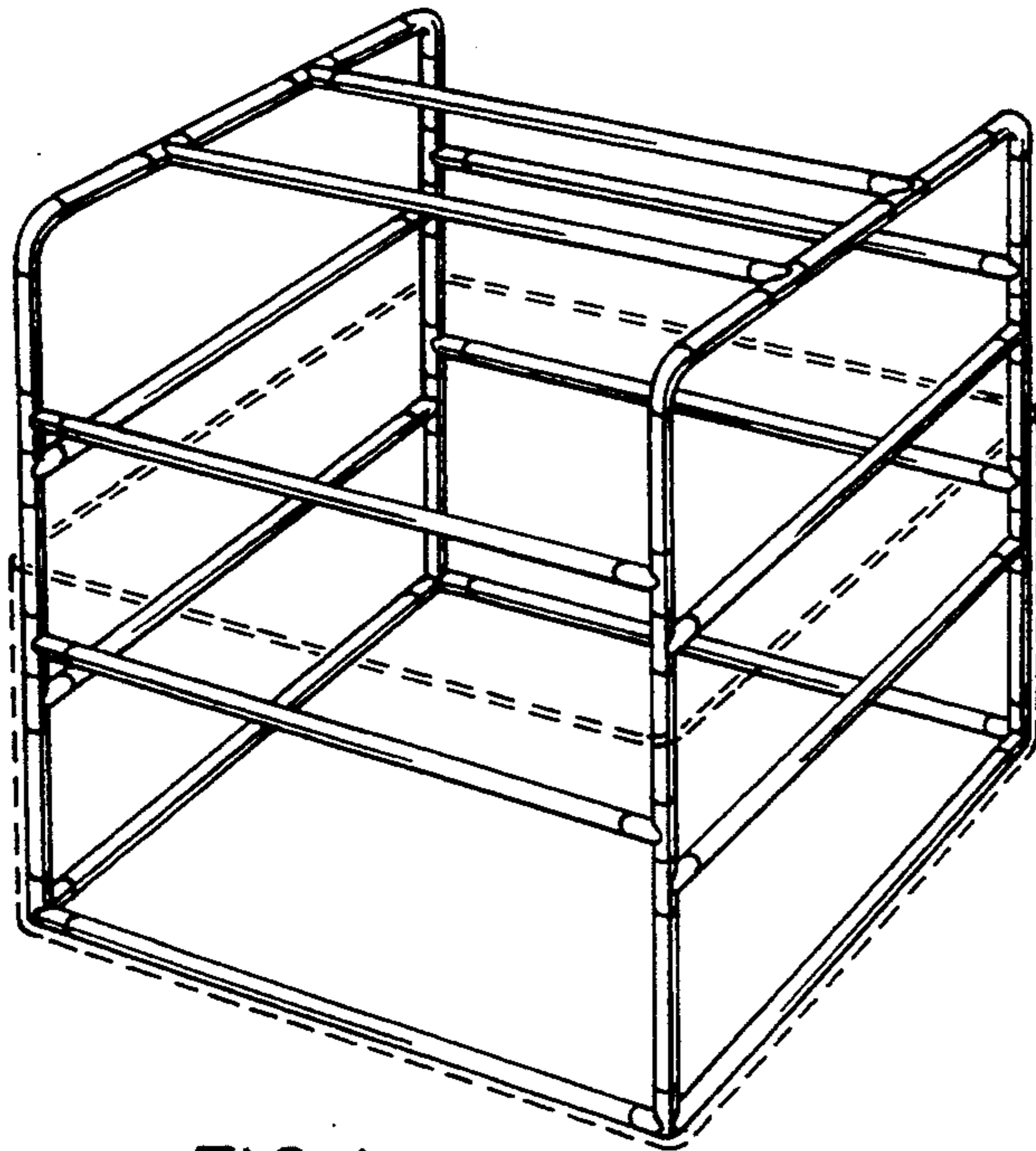


FIG. 1

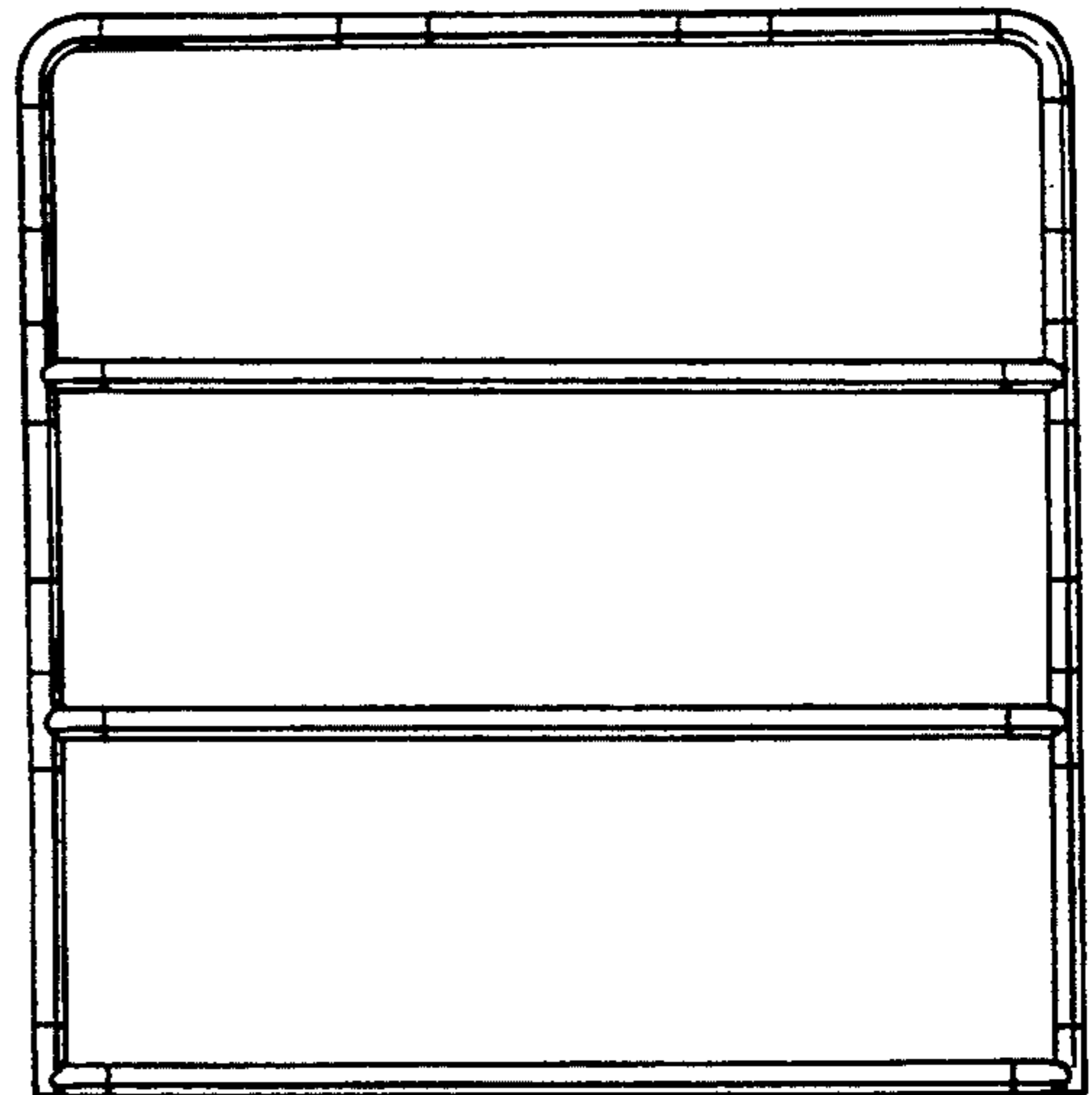


FIG. 2

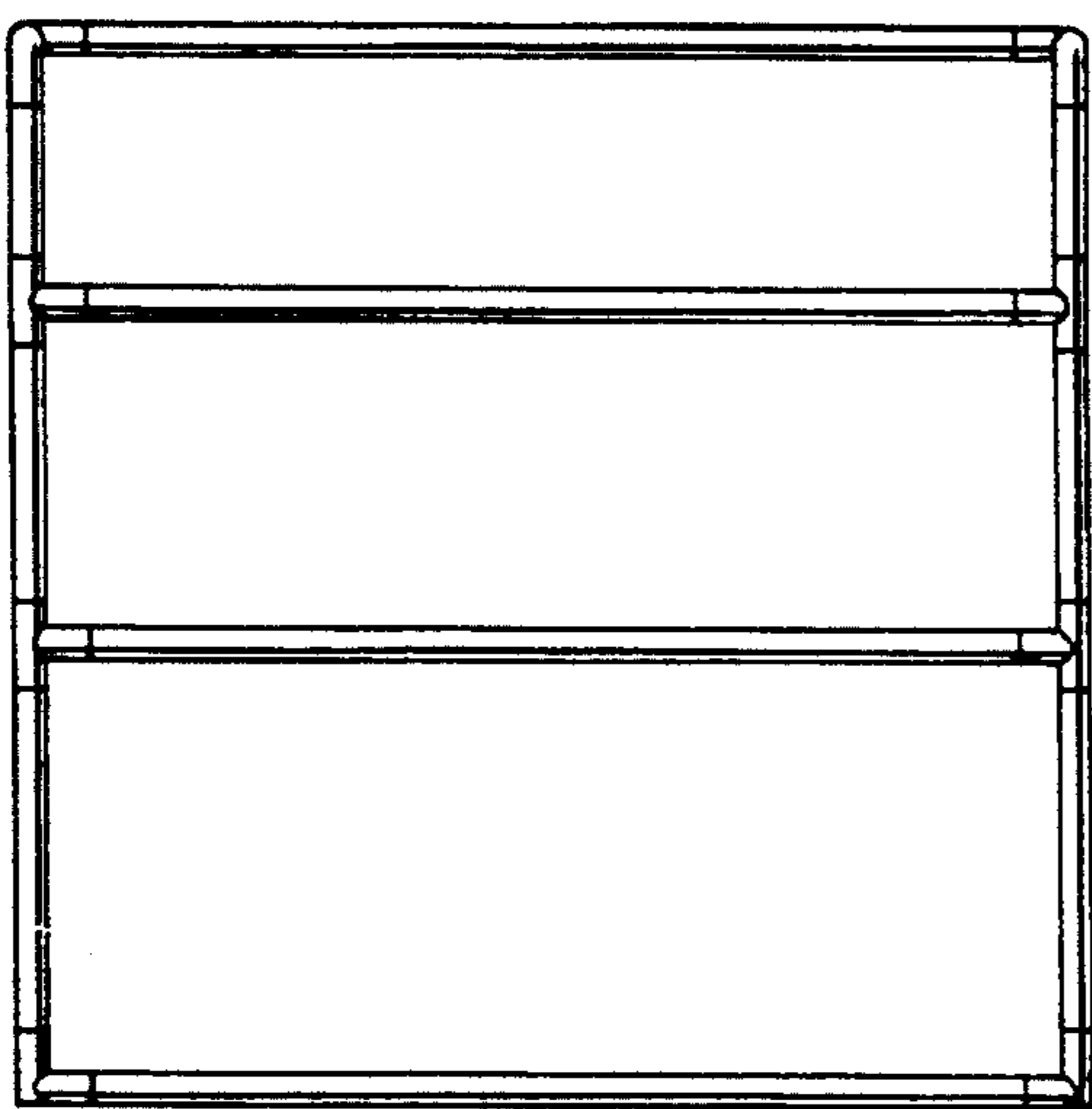


FIG. 3

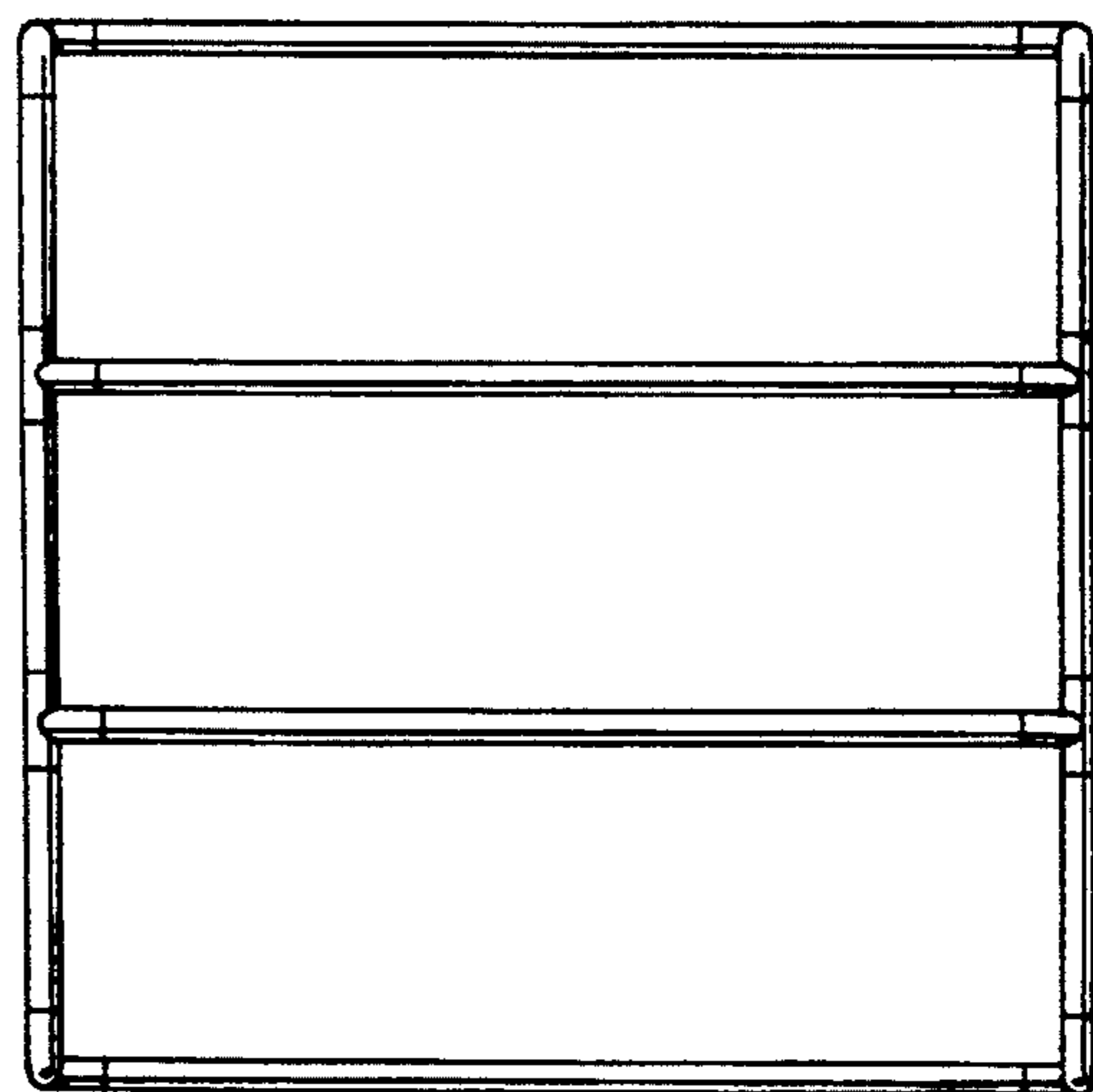


FIG. 4