



US00D352536S

# United States Patent [19]

[11] Patent Number: **Des. 352,536**

Byrd et al.

[45] Date of Patent: **\*\* Nov. 15, 1994**

[54] **MULTI-FUNCTION EXERCISE MACHINE**

[75] Inventors: **Rick Byrd; Kevin Gerschfsk**, both of Springfield; **Charles Brazeal**, Mansfield, all of Mo.

[73] Assignee: **Stamina Products, Inc.**, Springfield, Mo.

[\*\*] Term: **14 Years**

[21] Appl. No.: **5,544**

[22] Filed: **Mar. 5, 1993**

[52] U.S. Cl. .... **D21/195**

[58] Field of Search ..... 482/92, 93, 94, 97, 482/98, 123, 133; D21/191, 195

4,606,540	8/1986	Chin-Sen .	
4,614,338	9/1986	Castillo .	
4,618,144	10/1986	Gibson .	
4,792,135	12/1988	Chin-Sen .....	482/98
4,915,377	4/1990	Maluke et al. .	
4,964,632	10/1990	Rockwell .	
5,080,351	1/1992	Rockwell .	
5,135,451	8/1992	Chen .....	482/92

### FOREIGN PATENT DOCUMENTS

8301242	7/1983	France .....	482/130
8005681	10/1980	Germany .	

*Primary Examiner*—Bernard Ansher

*Assistant Examiner*—Philip Hyder

[57] **CLAIM**

The ornamental design for a multi-function exercise machine, as shown and described.

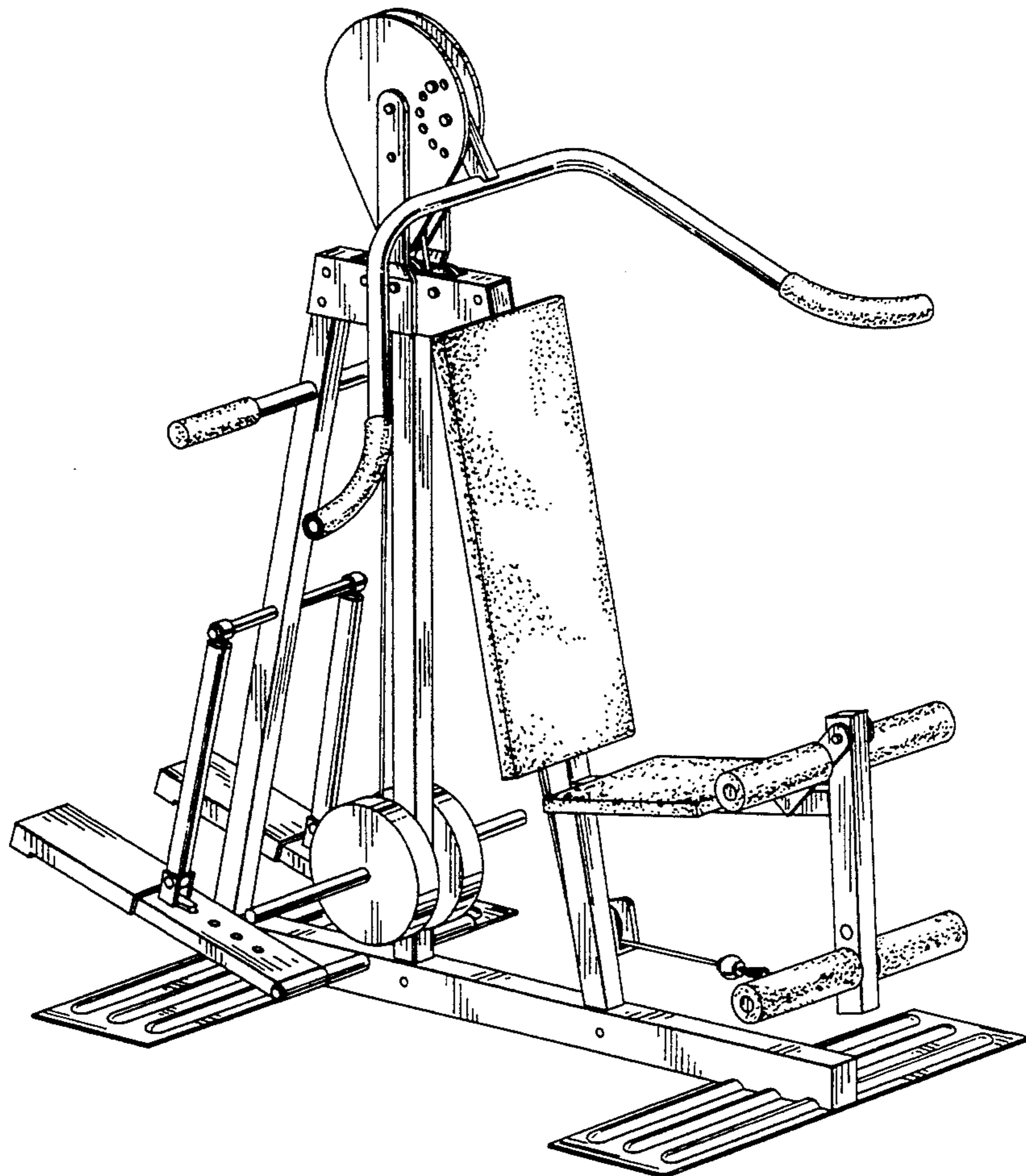
### DESCRIPTION

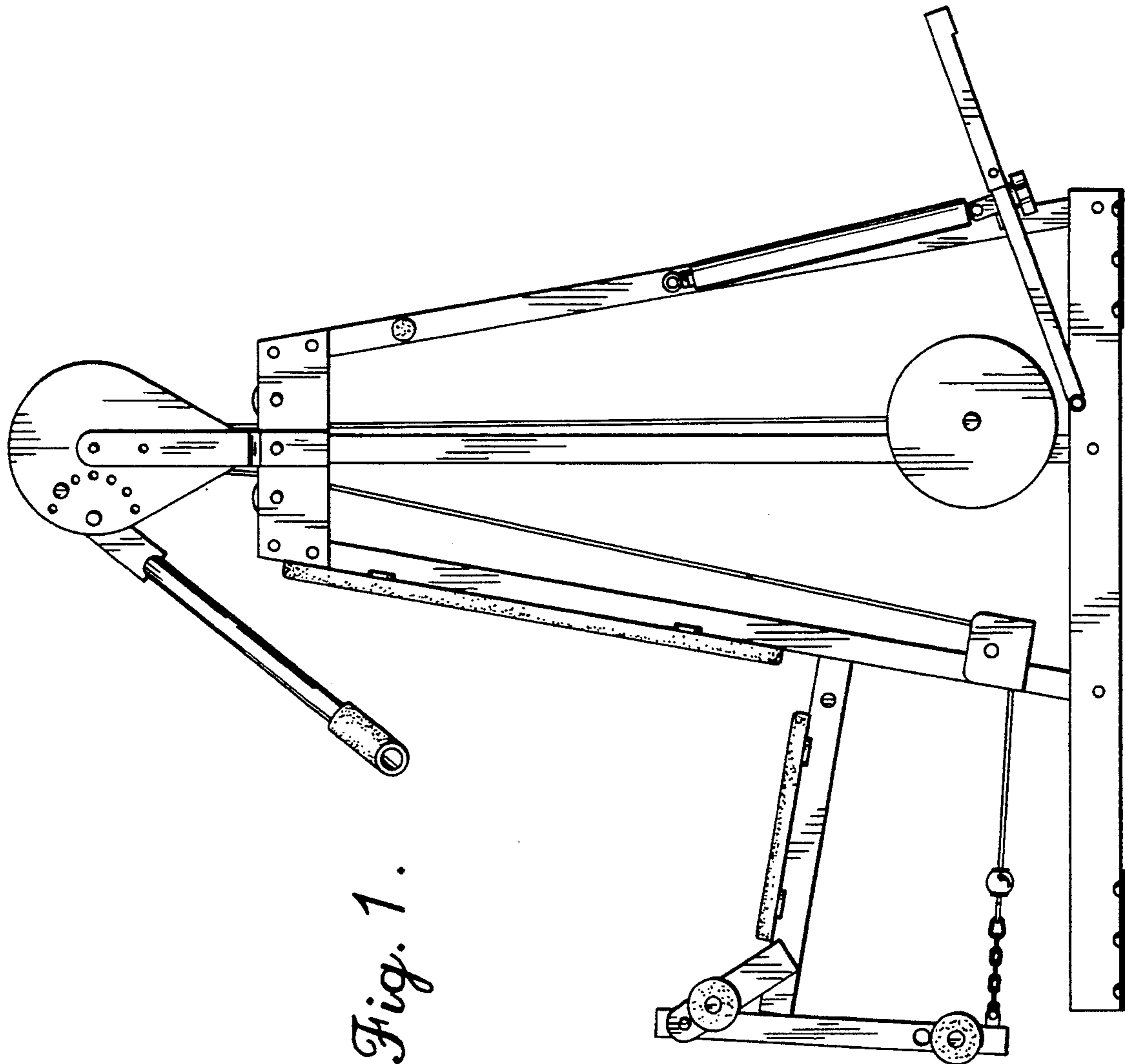
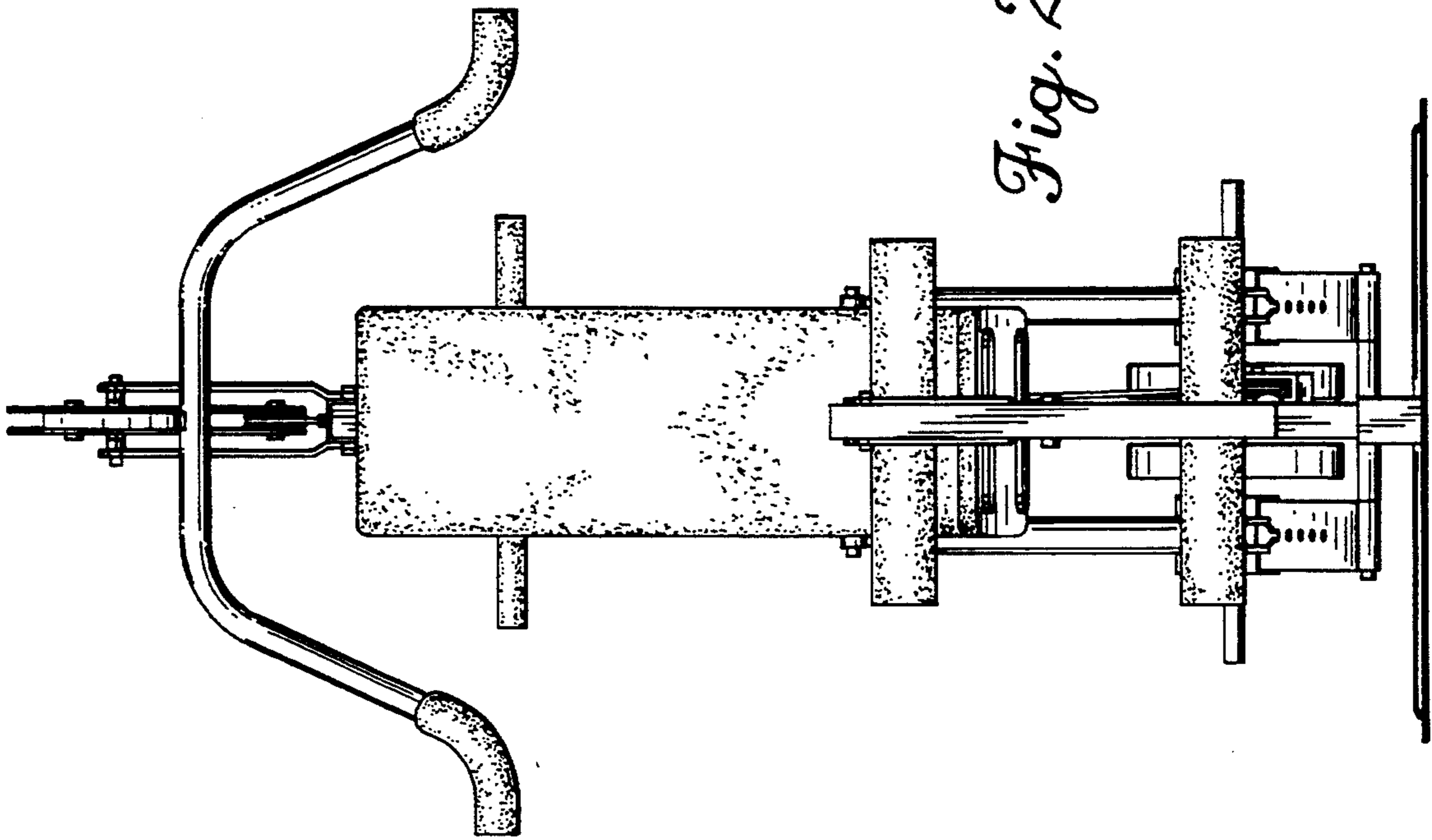
FIG. 1 is a right side elevational view of a multi-function exercise machine showing our new design; FIG. 2 is a front elevational view thereof; FIG. 3 is a rear elevational view thereof; FIG. 4 is a top plan view thereof; FIG. 5 is a left side elevational view thereof; and, FIG. 6 is a perspective view thereof.

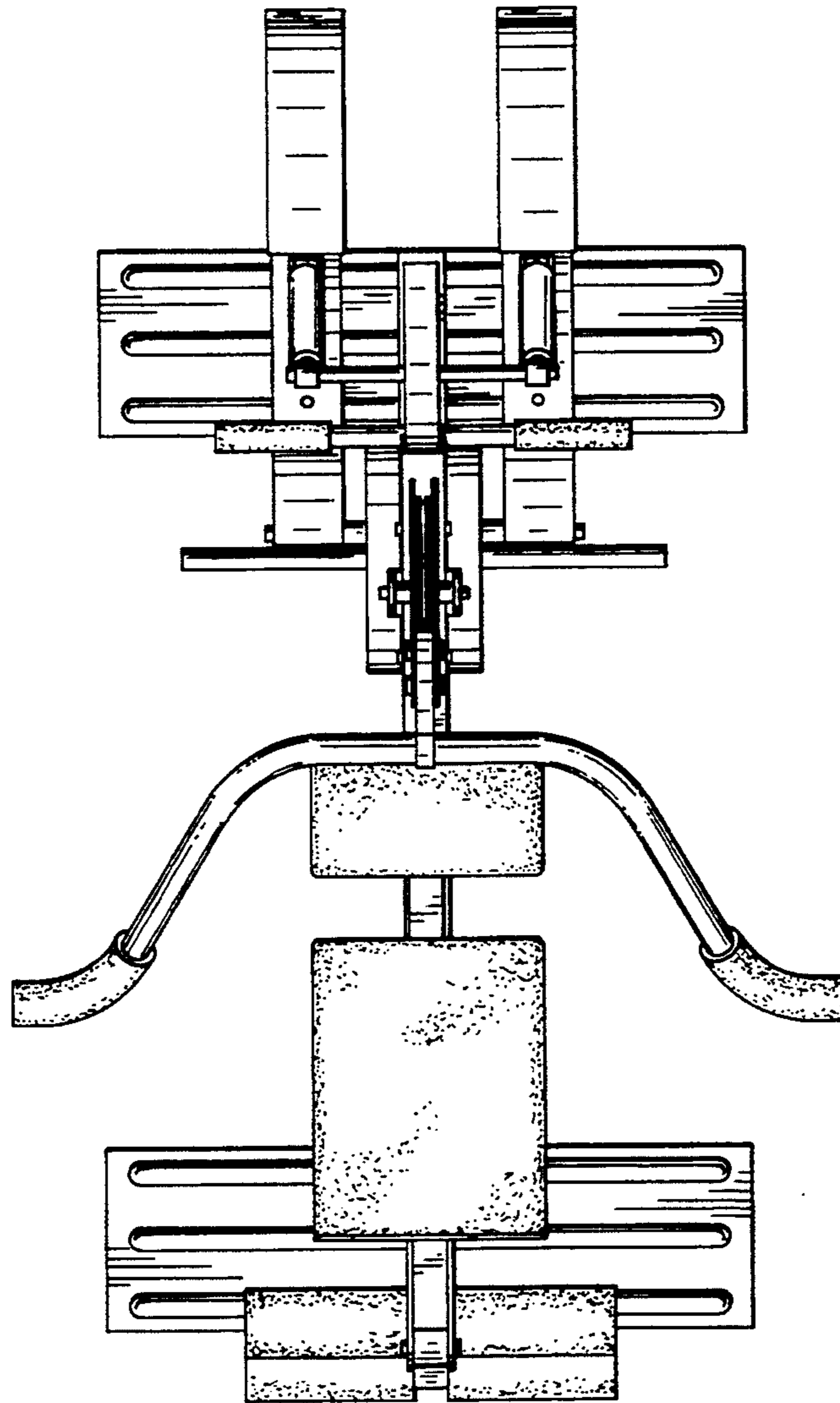
[56] **References Cited**

### U.S. PATENT DOCUMENTS

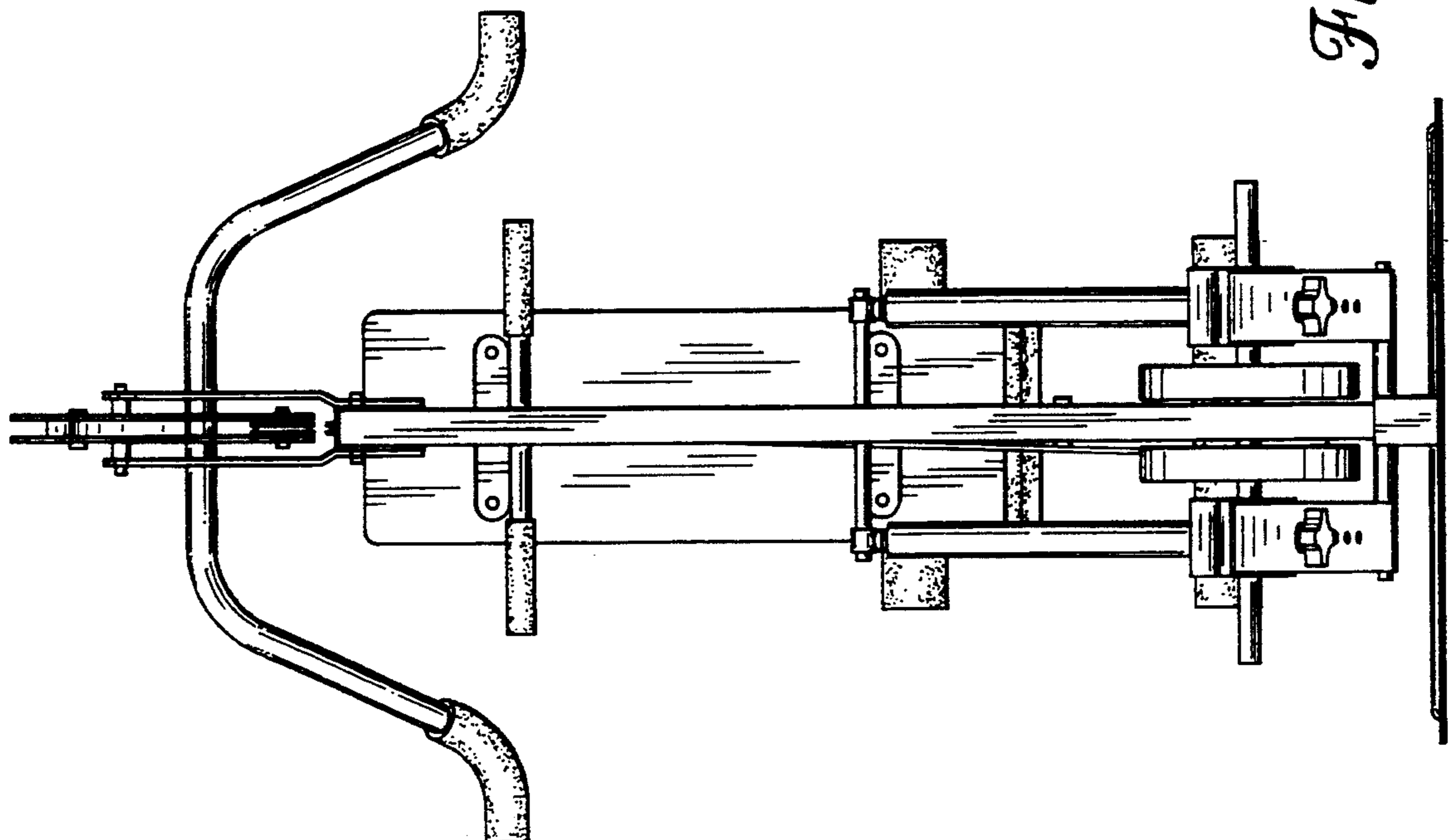
D. 296,709	7/1988	Gvoich et al. ....	D21/195
D. 303,558	9/1989	Alessandri .....	D21/195
D. 324,710	3/1992	Habing .....	D21/195
D. 329,477	9/1992	Lehtonen .....	D21/195
D. 330,238	10/1992	Desiderio .....	D21/195
4,072,309	2/1978	Wilson .	
4,492,375	1/1985	Connelly .	
4,582,320	4/1986	Shaw .	







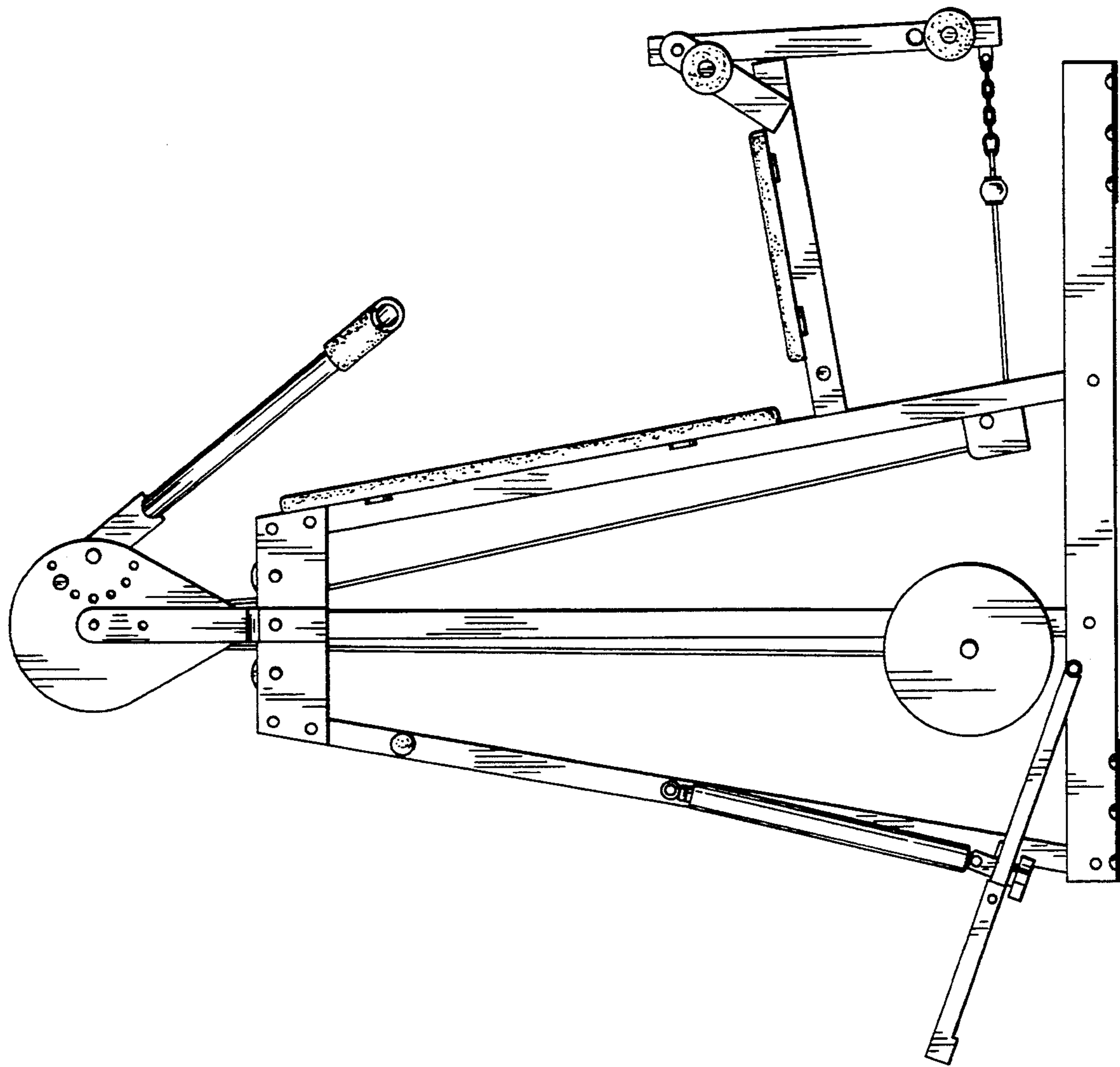
*Fig. 4.*

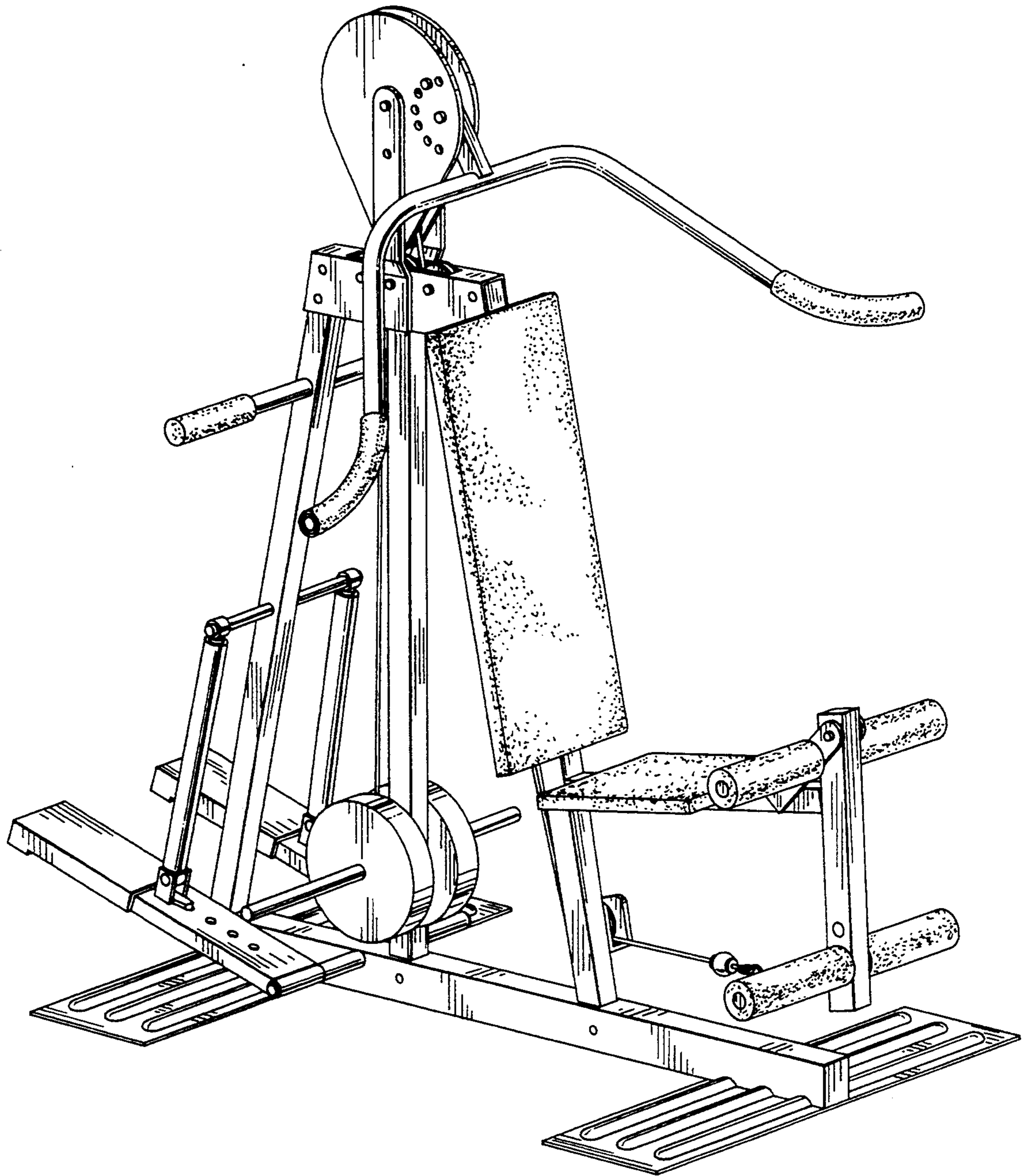


*Fig. 3.*



*Fig. 5.*





*Fig. 6.*