



US00D352535S

United States Patent [19]

[11] Patent Number: **Des. 352,535**

Miller

[45] Date of Patent: **** Nov. 15, 1994**

[54] **SKI EXERCISER**

5,246,412 9/1993 Chen 482/51

[75] Inventor: **Randolph F. Miller**, Mount Vernon, Wash.

OTHER PUBLICATIONS

Best Catalog, 1991-1992, p. 383, #4 and 5 Weslo ski exerciser and deluxe ski exerciser.

[73] Assignee: **Tunturi, Inc.**, Redmond, Wash.

Information sheet for PROFORM Model #PF60152 Cross Country Skiing Simulator, by Proform Fitness Products, Inc. of Logan, Utah ©1992-1993.

[**] Term: **14 Years**

Primary Examiner—Melvin B. Feifer

[21] Appl. No.: **7,252**

Assistant Examiner—Philip Hyder

[22] Filed: **Apr. 20, 1993**

Attorney, Agent, or Firm—Graybeal Jackson Haley & Johnson

[52] U.S. Cl. **D21/191**

[58] Field of Search 482/70, 71, 72, 73, 482/118, 119, 51; D21/191, 192, 195

[57] CLAIM

[56] References Cited

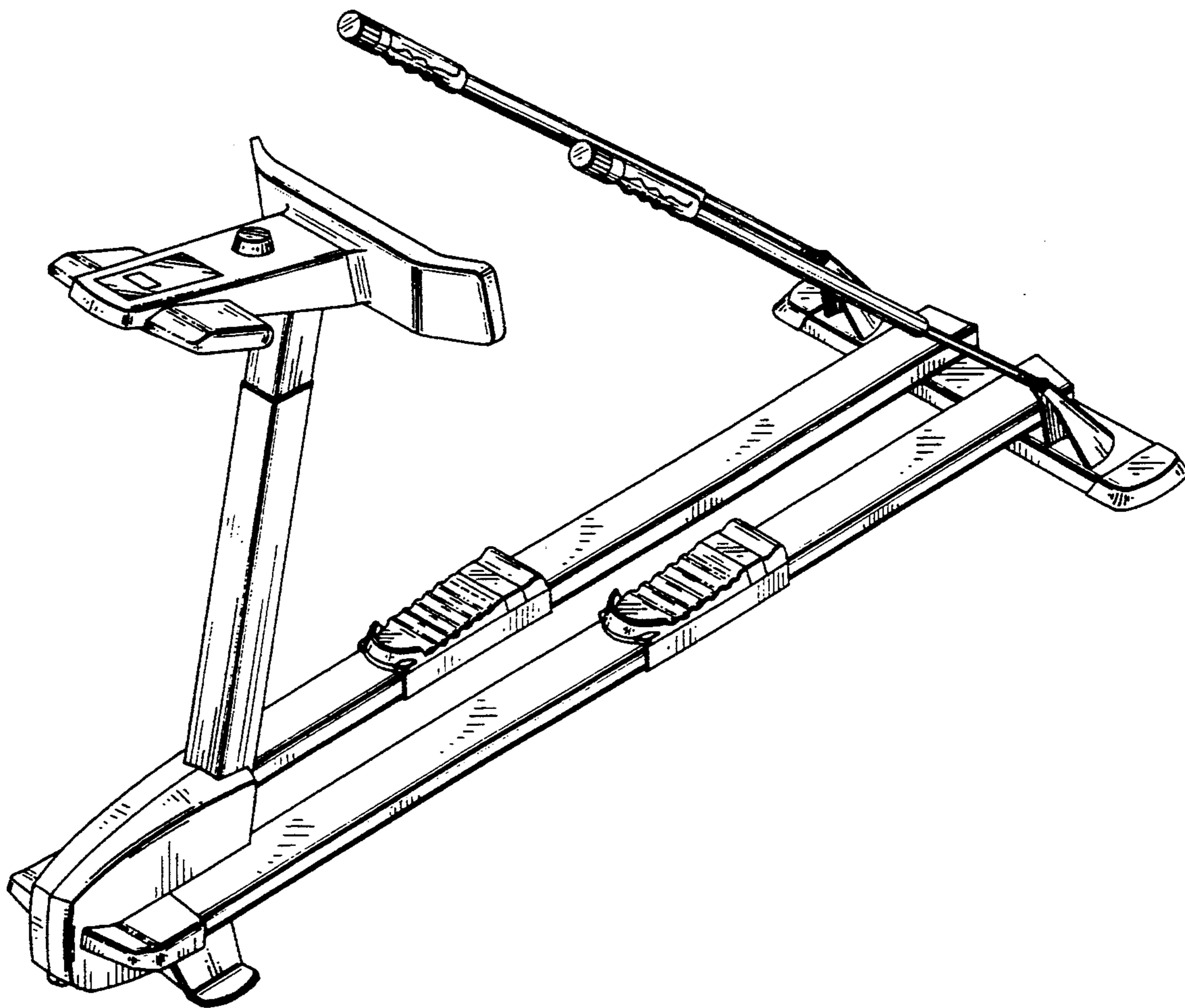
The ornamental design for a ski exerciser, as shown.

U.S. PATENT DOCUMENTS

DESCRIPTION

D. 299,369	1/1989	Smith et al.	D21/191
D. 303,131	8/1989	Lo	D21/192
D. 315,764	3/1991	Friedebach	D21/191
D. 328,934	8/1992	Friedebach	D21/191
D. 340,095	10/1993	Friedebach	D21/195
4,659,077	4/1987	Stropkay	482/51
4,813,667	3/1989	Watterson	482/51
5,181,894	1/1993	Shieng	482/118
5,230,677	7/1993	Chi	482/71

FIG. 1 is a top, front isometric view of a ski exerciser, showing my new design;
 FIG. 2 is a right side elevational view thereof;
 FIG. 3 is a left side elevational view thereof;
 FIG. 4 is a front view thereof;
 FIG. 5 is a rear view thereof;
 FIG. 6 is a top plan view thereof; and,
 FIG. 7 is a bottom plan view thereof.



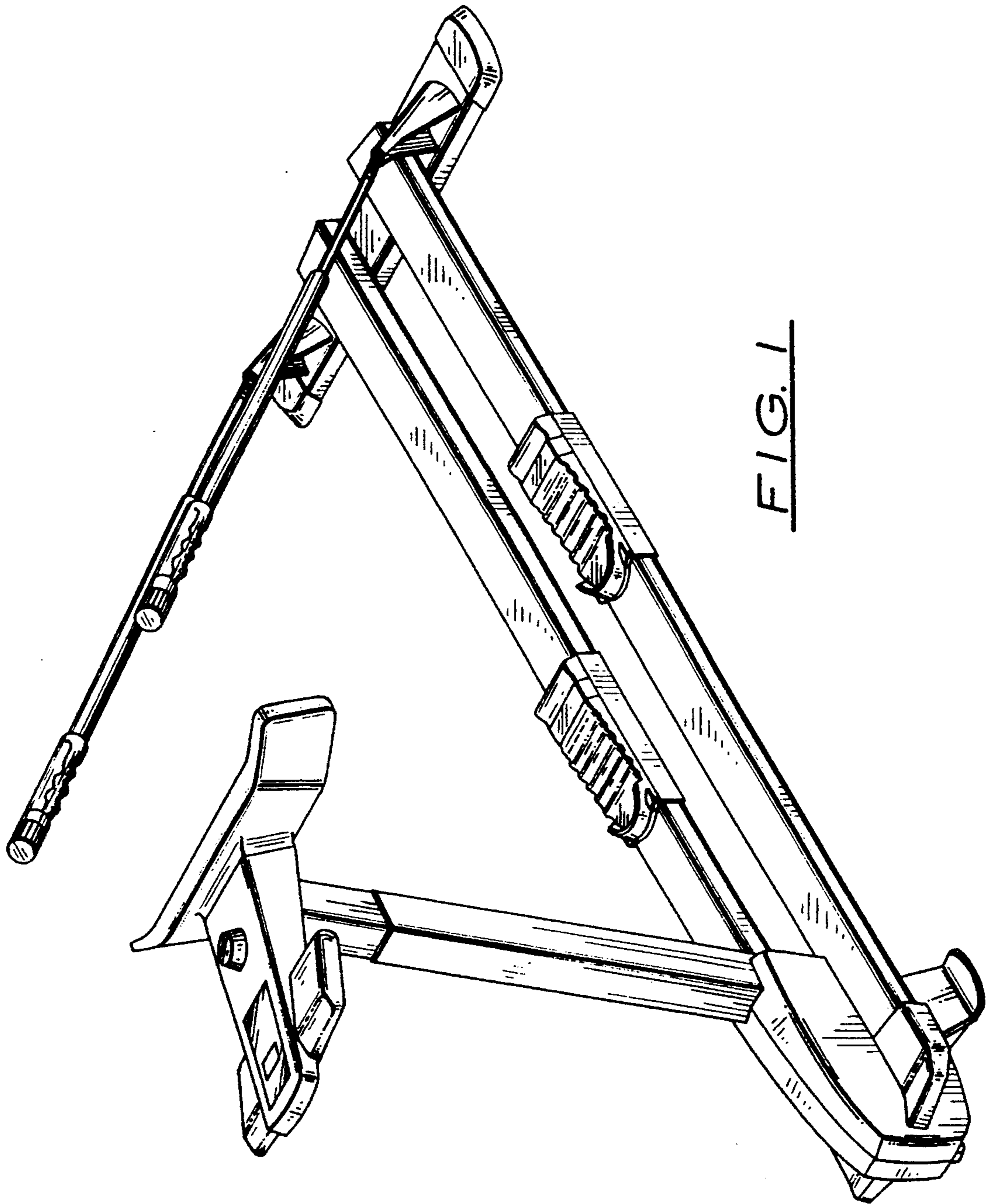


FIG. 1

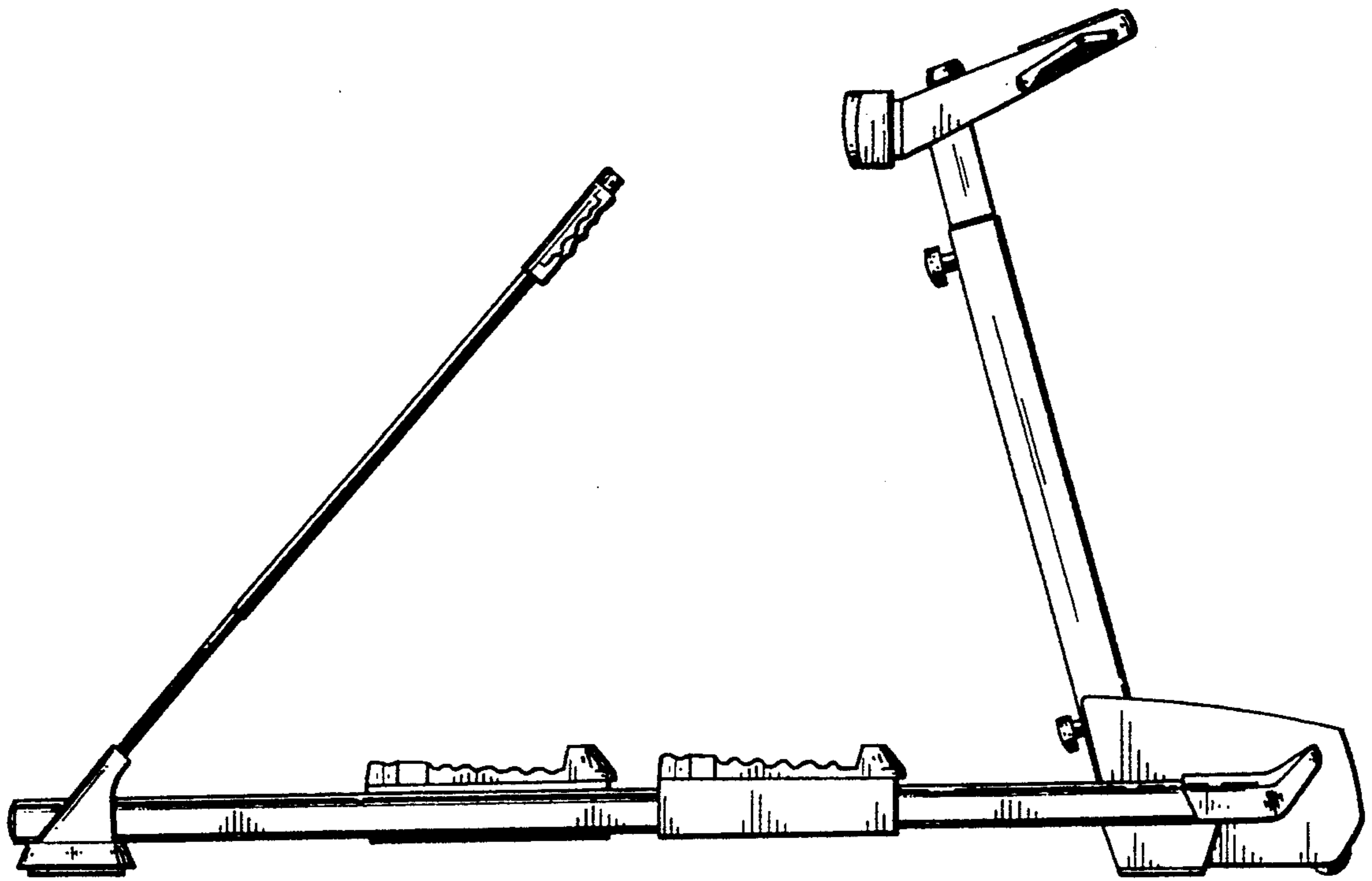


FIG. 2

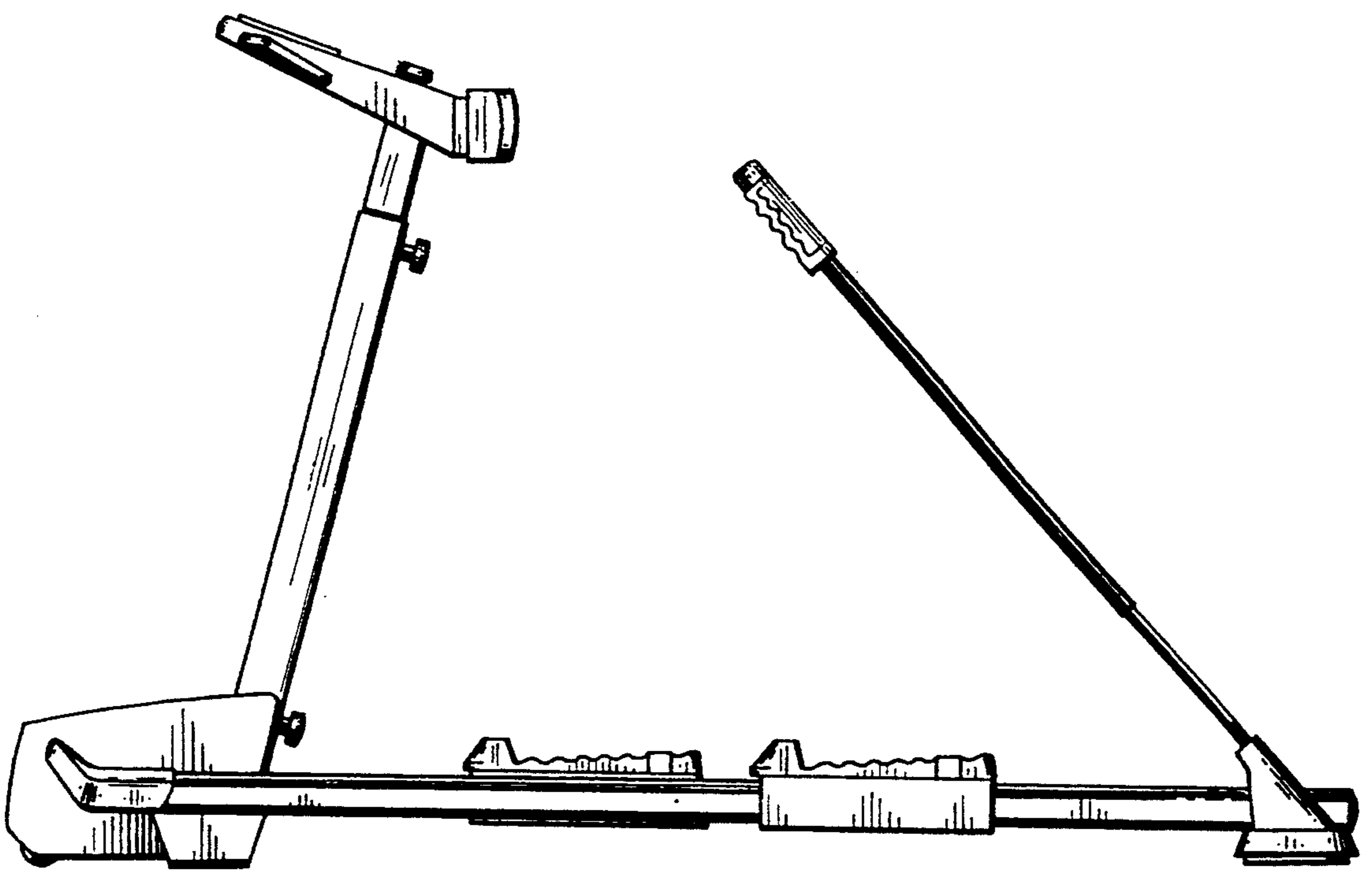


FIG. 3

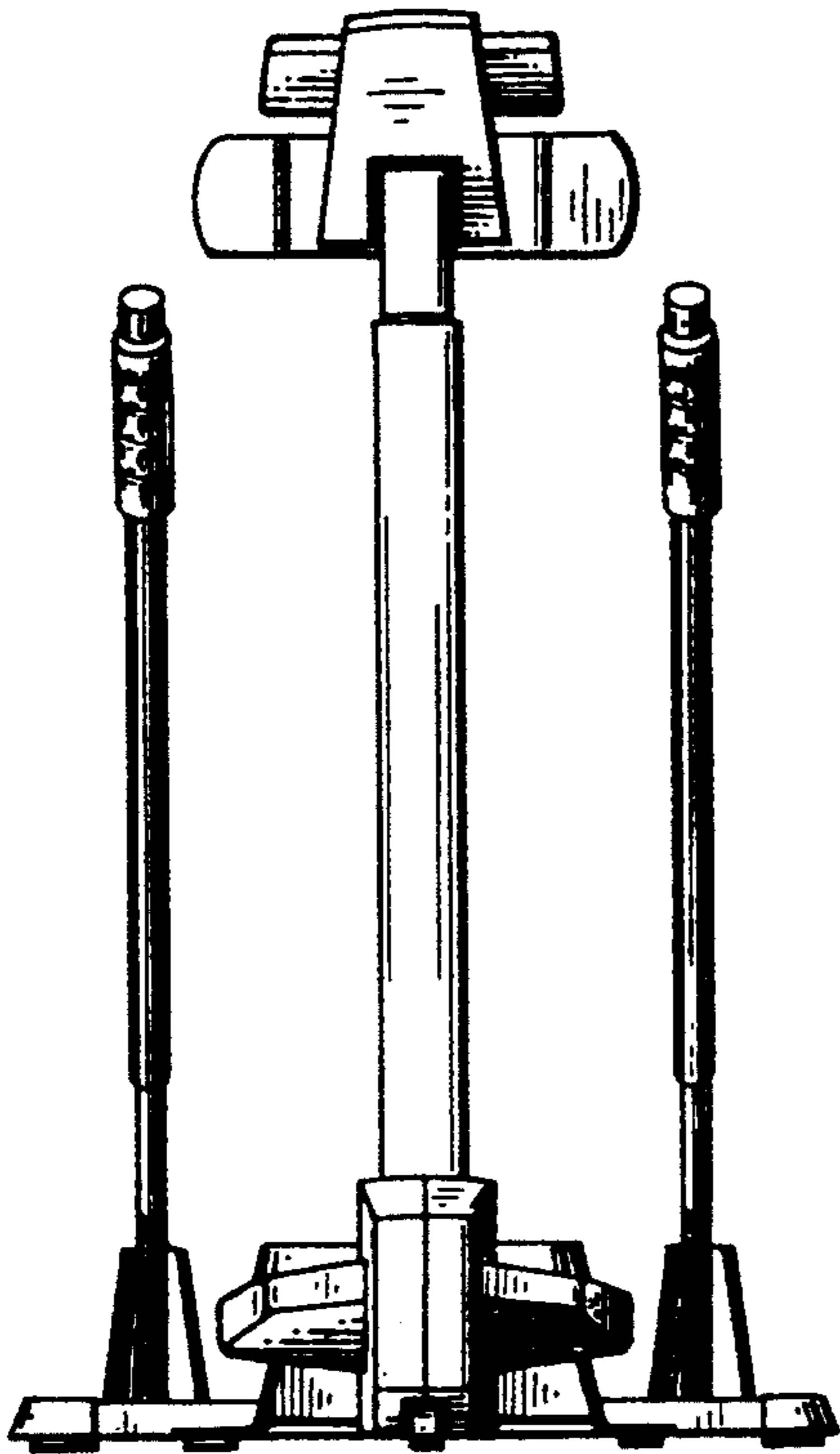


FIG. 4

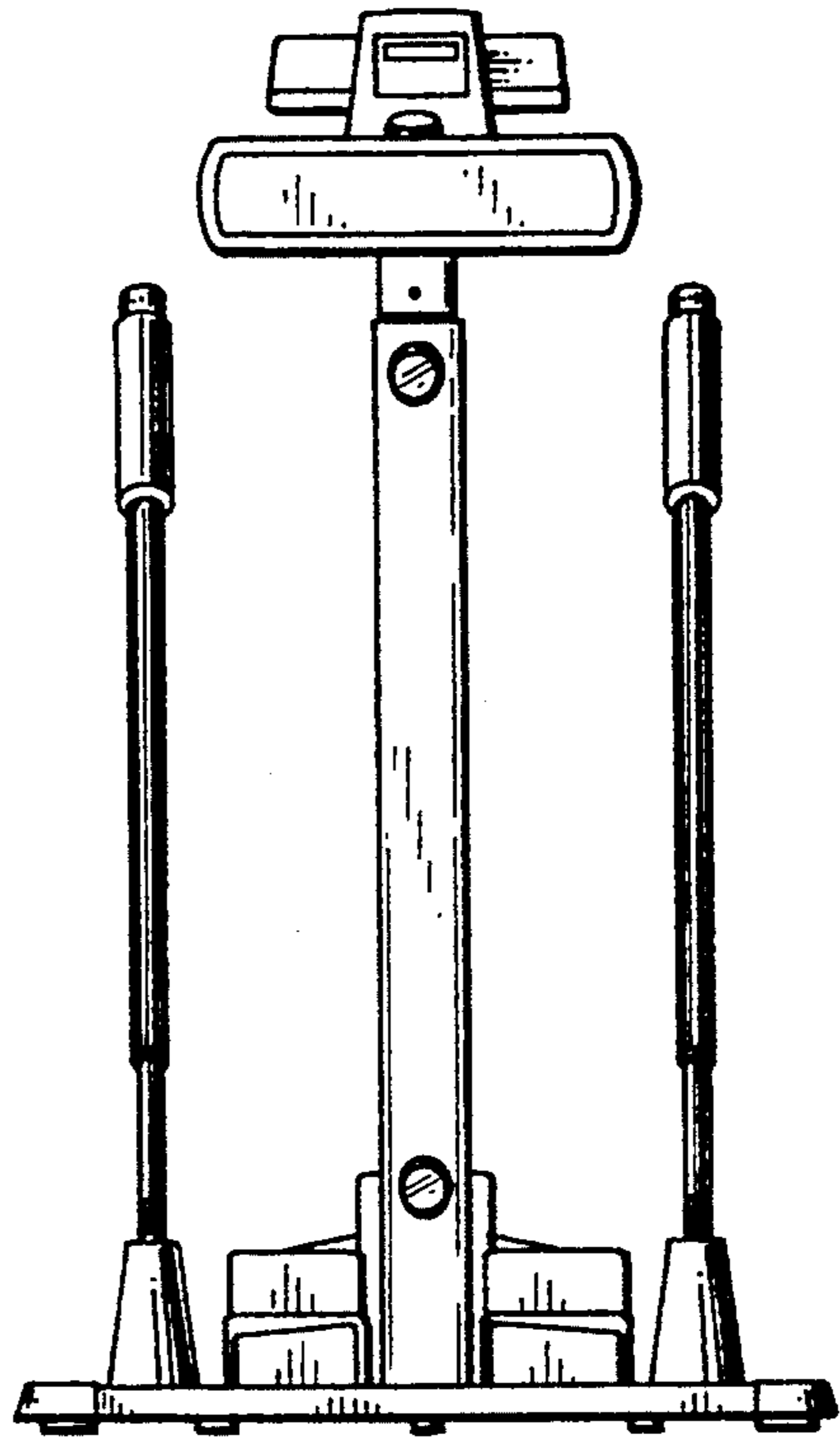


FIG. 5

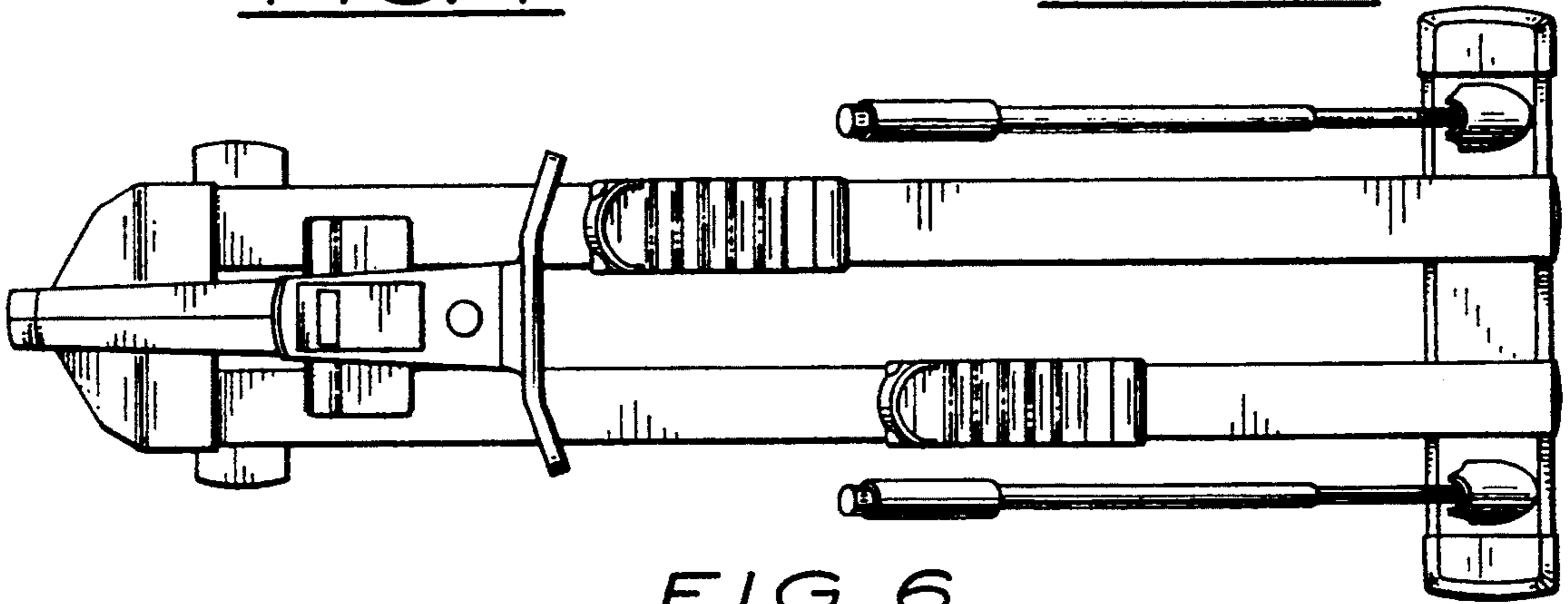


FIG. 6

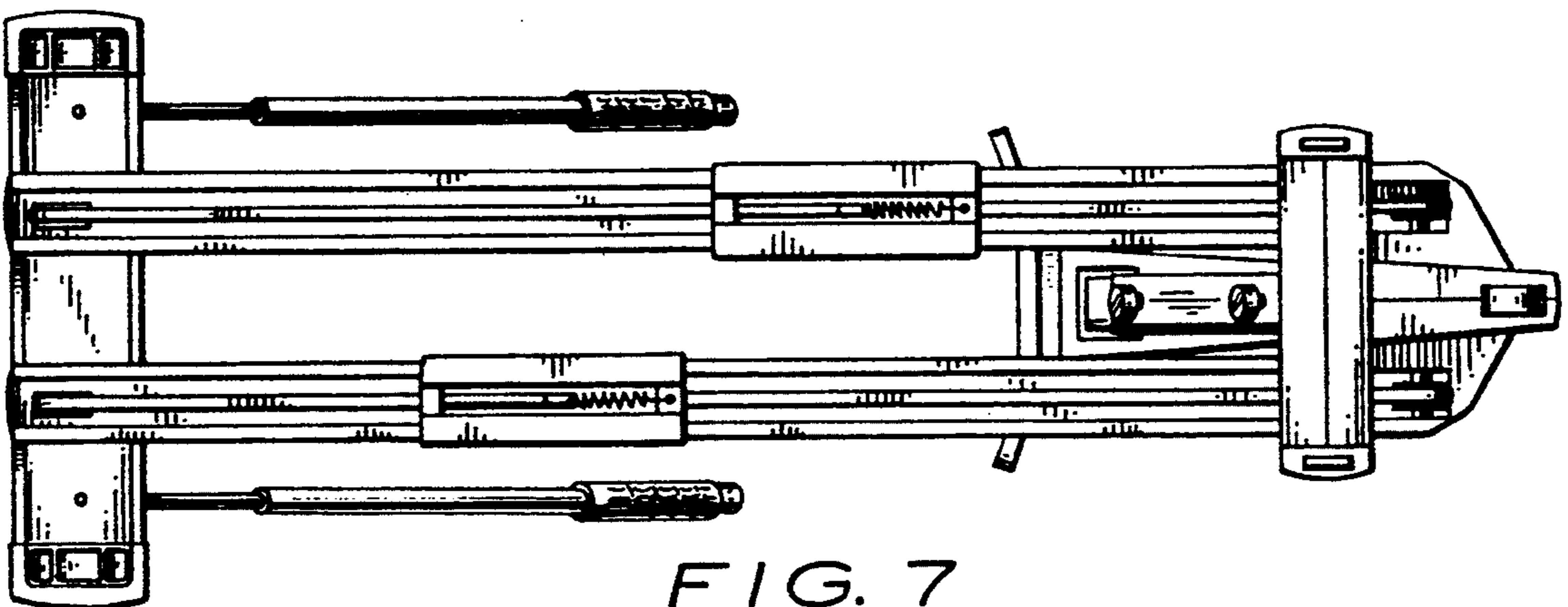


FIG. 7