



US00D352534S

United States Patent [19]

[11] Patent Number: **Des. 352,534**

Dreibelbis et al.

[45] Date of Patent: **** Nov. 15, 1994**

- [54] **ROWING MACHINE EXERCISER**
- [75] Inventors: **John S. Dreibelbis, Shakopee;**
Charles C. Hall, St. Louis Park; Pat
J. Novak, St. Paul, all of Minn.
- [73] Assignee: **NordicTrack, Inc., Chaska, Minn.**
- [**] Term: **14 Years**
- [21] Appl. No.: **935,213**
- [22] Filed: **Aug. 26, 1992**
- [52] U.S. Cl. **D21/191; D21/195**
- [58] Field of Search **482/72, 73, 80, 138;**
D21/191, 195

- 4,867,447 9/1989 Johnson .
- 4,880,224 11/1989 Jonas et al. 482/72
- 4,900,013 2/1990 Rodgers, Jr. 482/70
- 4,921,242 5/1990 Watterson 482/73
- 5,013,033 5/1991 Watterson et al. 482/72
- 5,072,929 12/1991 Peterson et al. 482/72

OTHER PUBLICATIONS

Martin Marine Company, Inc., Specification of X-OARCIZER, published prior to invention.
 LifeFitness, A bally Company, Liferower Model 8500 sales brochure, prior art.
 WaterRower, by WaterRower Inc., sales brochure, published prior to invention.
 Concept II rowing Ergometer, by Concept II, Inc., sales brochure, copy right 1990.
 Altero Rowing Machine, by Altero Technologies Inc., sales brochure, prior art.
 Avita Paraflex II, by Avita, sales brochure, published prior to invention.
 Electronic Rowing Machines, by Tunturi, sales brochure, published prior to invention.

Primary Examiner—Melvin B. Feifer
Assistant Examiner—Philip Hyder
Attorney, Agent, or Firm—Merchant, Gould, Smith, Edell, Welter & Schmidt

[56] References Cited

U.S. PATENT DOCUMENTS

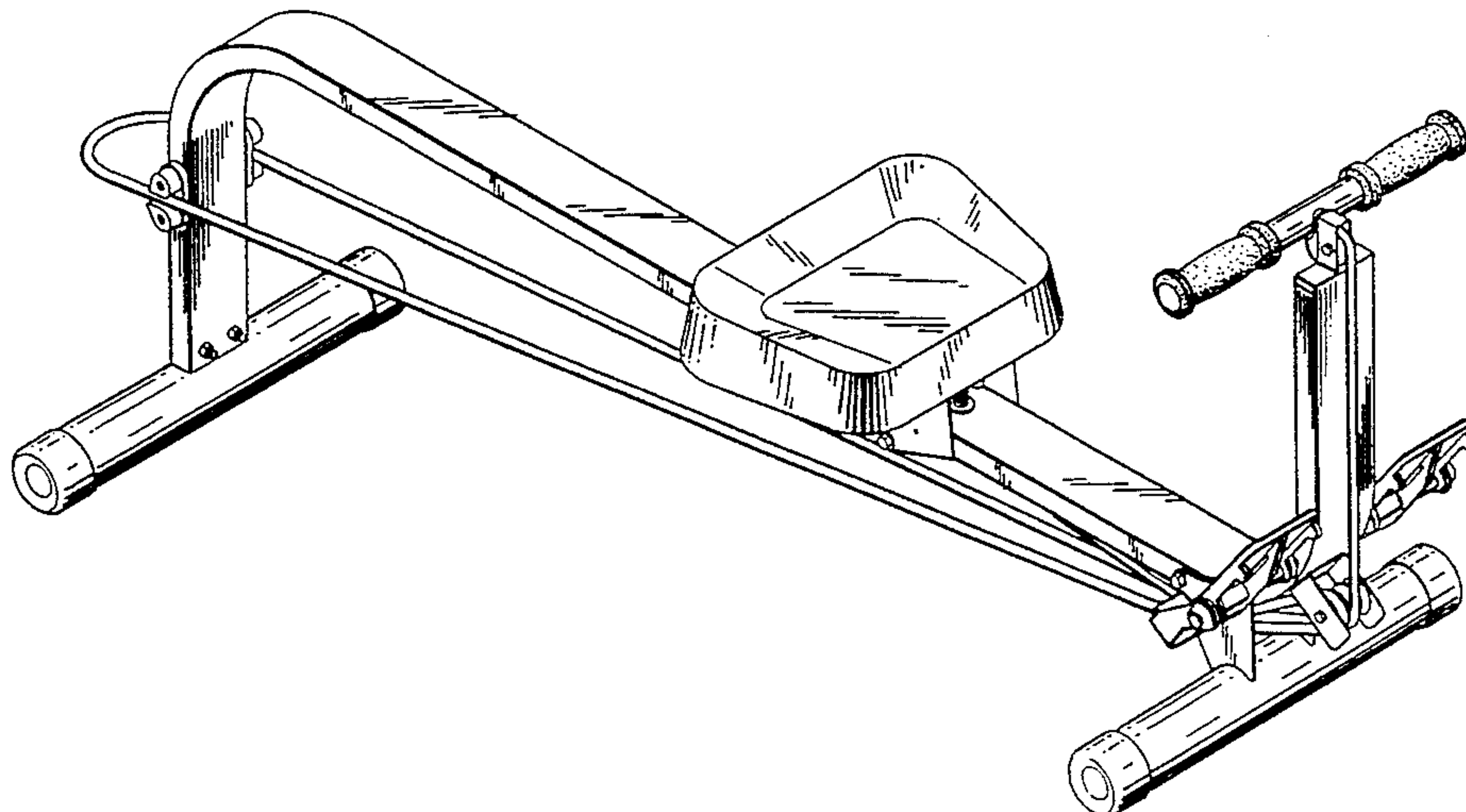
- D. 218,624 9/1970 Margolies D21/195
- D. 272,376 1/1984 Cunnington D21/198
- D. 324,709 3/1992 Lehtonen D21/195
- 567,915 9/1896 McLarty .
- 1,536,256 5/1925 Calzetti .
- 1,750,549 3/1930 Thomson et al. .
- 1,782,728 11/1930 Kiefer 482/72
- 1,866,860 7/1932 Pareira .
- 1,979,716 11/1934 Terry .
- 1,979,783 11/1934 Williams et al. .
- 1,982,872 12/1934 Husted .
- 2,145,940 2/1939 Marlowe .
- 2,714,507 8/1955 Goodrich .
- 3,261,606 7/1966 Elia et al. .
- 3,380,737 4/1968 Elia et al. .
- 3,394,934 7/1968 Elia et al. .
- 3,912,264 10/1975 Busse et al. .
- 4,284,272 8/1981 Evans et al. .
- 4,346,886 8/1982 Cox et al. 482/72
- 4,421,307 12/1983 Cunnington et al. .
- 4,452,448 6/1984 Ausherman .
- 4,541,627 9/1985 MacLean et al. 482/112
- 4,647,035 3/1987 Yellen .
- 4,728,099 3/1988 Pitre 482/72
- 4,743,010 5/1988 Geraci .
- 4,743,011 5/1988 Coffey .
- 4,746,112 5/1988 Fayal .
- 4,798,378 1/1989 Jones 482/72

[57] CLAIM

The ornamental design for a rowing machine exerciser, as shown.

DESCRIPTION

FIG. 1 is a perspective view of a rowing machine exerciser according to the present design;
 FIG. 2 is a side view of a rowing machine exerciser of FIG. 1;
 FIG. 3 is a top view of the rowing machine exerciser of FIG. 1;
 FIG. 4 is an enlarged front view of the rowing machine exerciser of FIG. 1;
 FIG. 5 is a bottom view of the rowing machine exerciser of FIG. 1; and,
 FIG. 6 is an enlarged rear view of the rowing machine exerciser of FIG. 1.



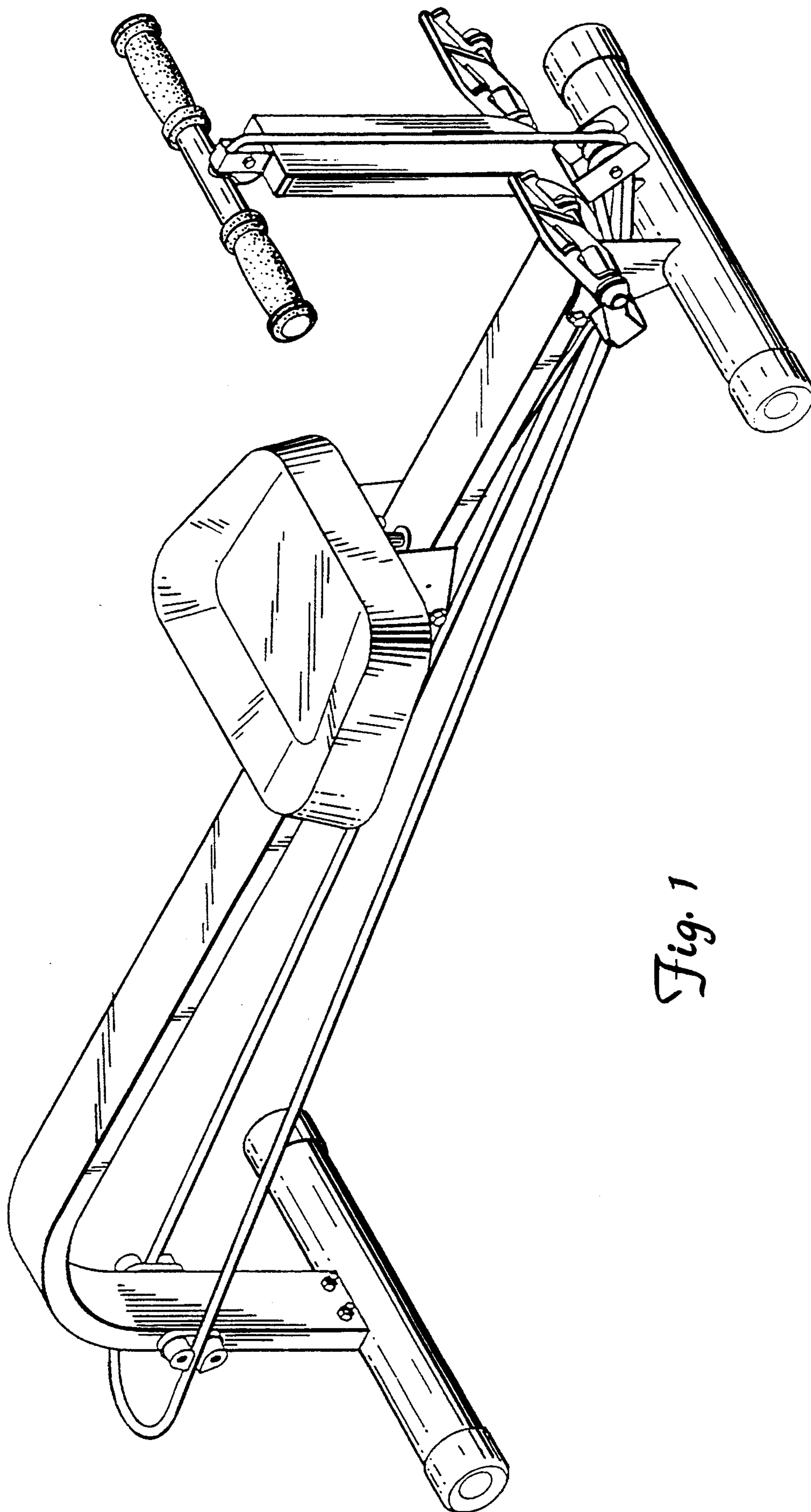


Fig. 1

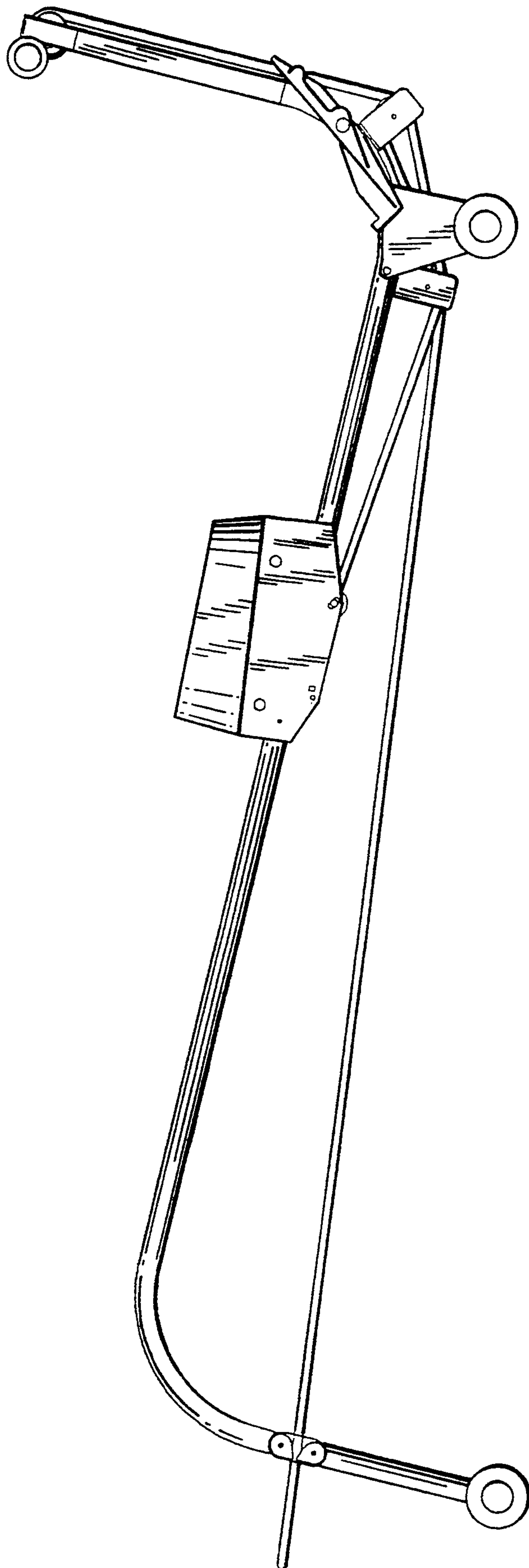


Fig. 2

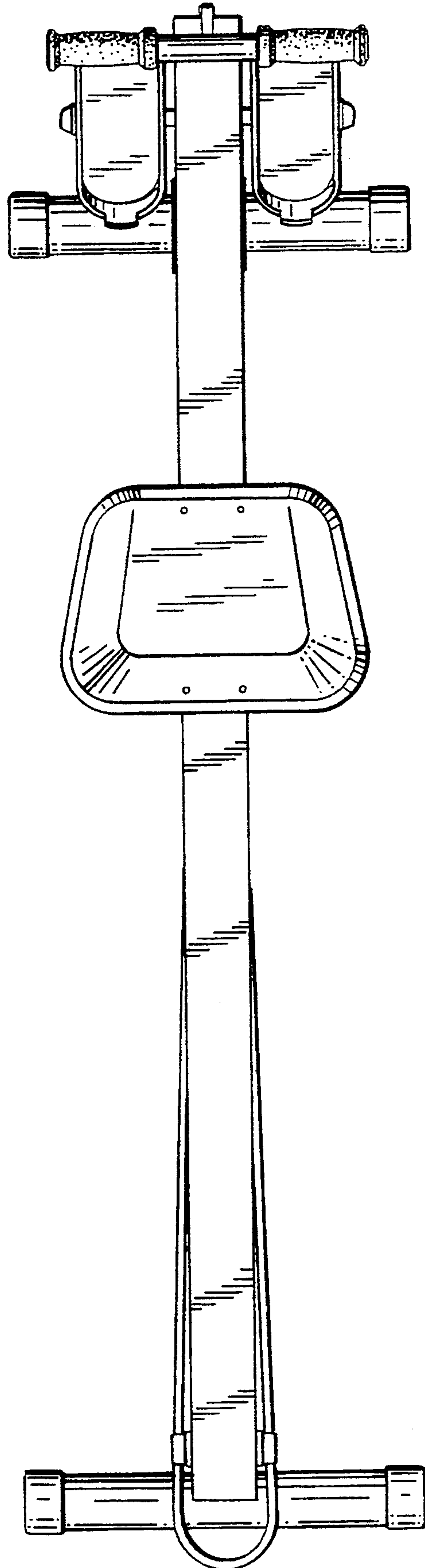


Fig. 3

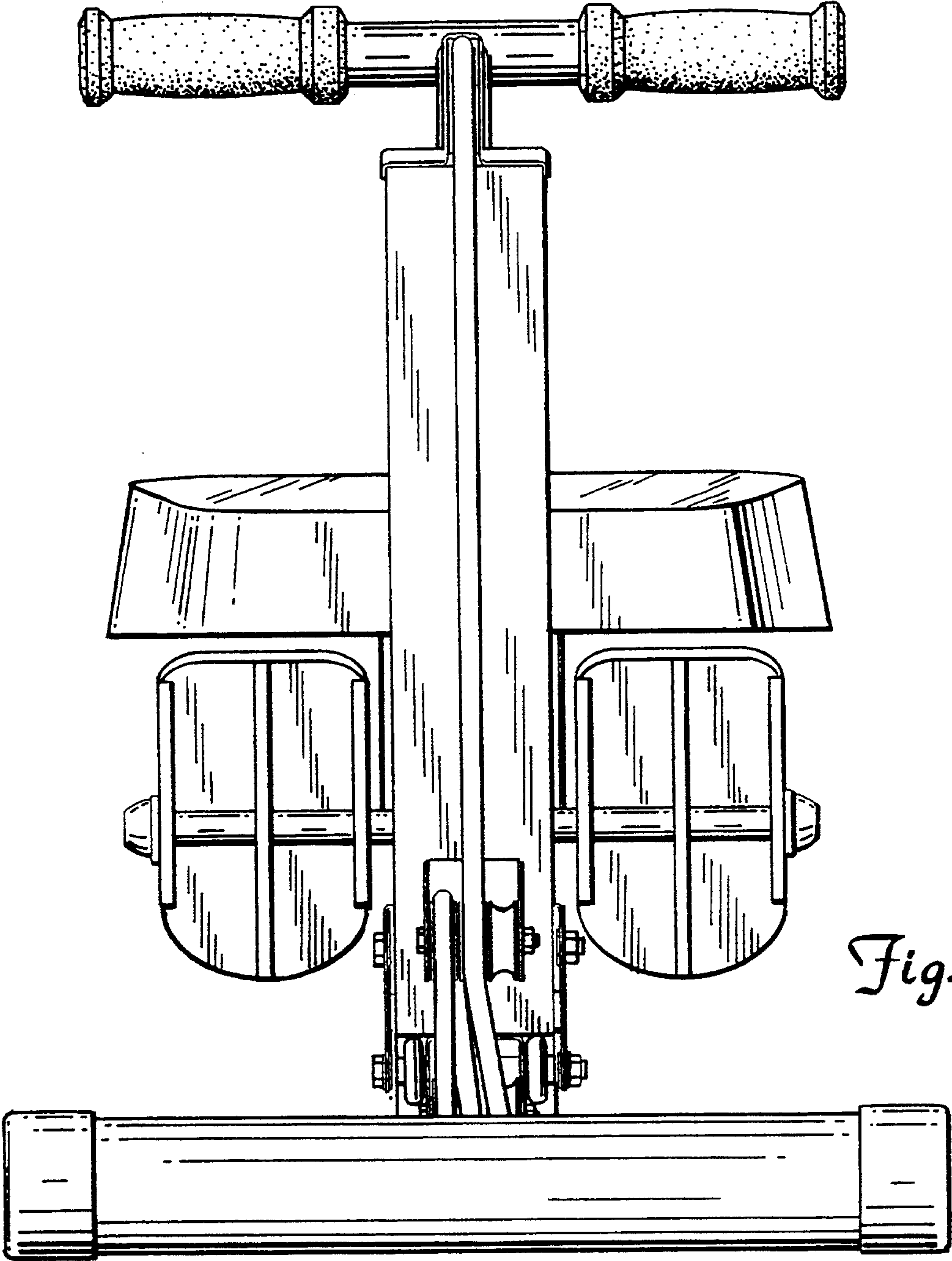


Fig. 4

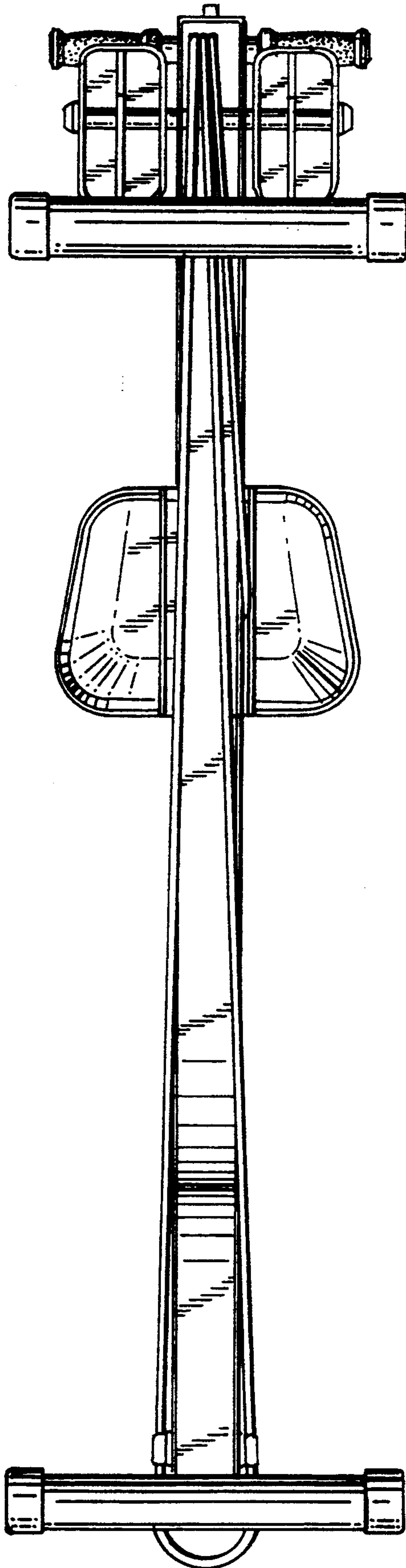


Fig. 5

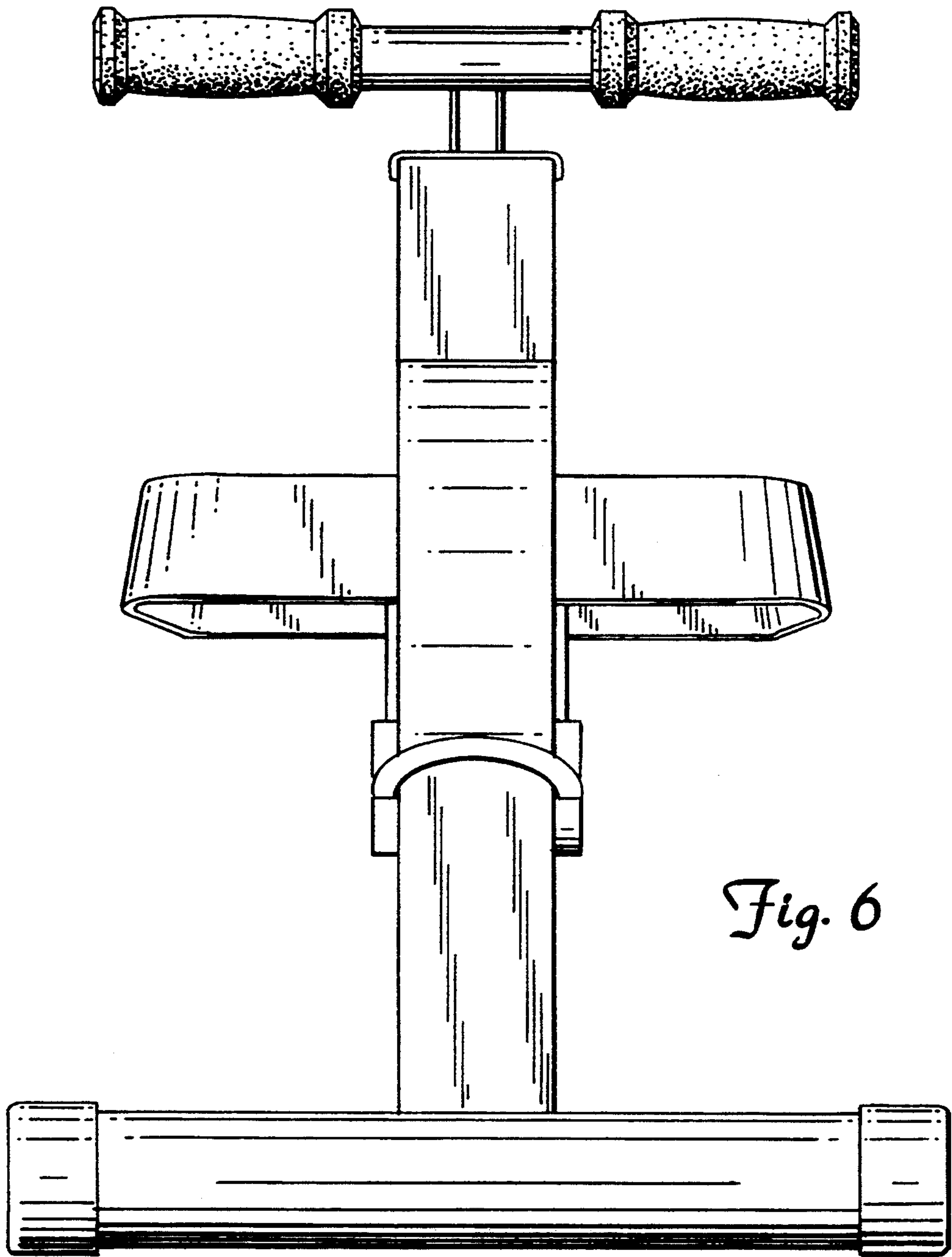


Fig. 6