



US00D352532S

# United States Patent [19]

[11] Patent Number: **Des. 352,532**

**Tully**

[45] Date of Patent: **\*\* Nov. 15, 1994**

[54] **GUIDABLE ROCKET POWERED TOY CAR**

[76] Inventor: **Eugene T. Tully, HCR 70 Box 157, S. Otselic, N.Y. 13155**

[\*\*] Term: **14 Years**

[21] Appl. No.: **14,306**

[22] Filed: **Oct. 20, 1993**

[52] U.S. Cl. .... **D21/137**

[58] Field of Search ..... 446/29, 93-94, 446/96, 128, 211, 434, 451, 468; 280/87.01, 87.021, 47.38, 1.206, 1.207, 1.23, 1.13, 281.1, 282; D21/71, 74, 76, 78, 80, 128, 133-137, 140, 141, 148; D12/112

D. 272,837	2/1984	Appel .....	D21/71
D. 275,300	8/1984	Mancini .....	D21/80
D. 303,408	9/1989	Wallace .....	D21/128
1,571,071	1/1926	Sweet .....	D21/136
3,503,151	3/1970	White .	
4,563,626	1/1986	Ohtake .	
4,676,763	6/1987	Saito .	

*Primary Examiner*—Bernard Ansher  
*Assistant Examiner*—R. Barkai  
*Attorney, Agent, or Firm*—Terry M. Gernstein

### [57] CLAIM

The ornamental design for a guidable rocket powered toy car, as shown and described.

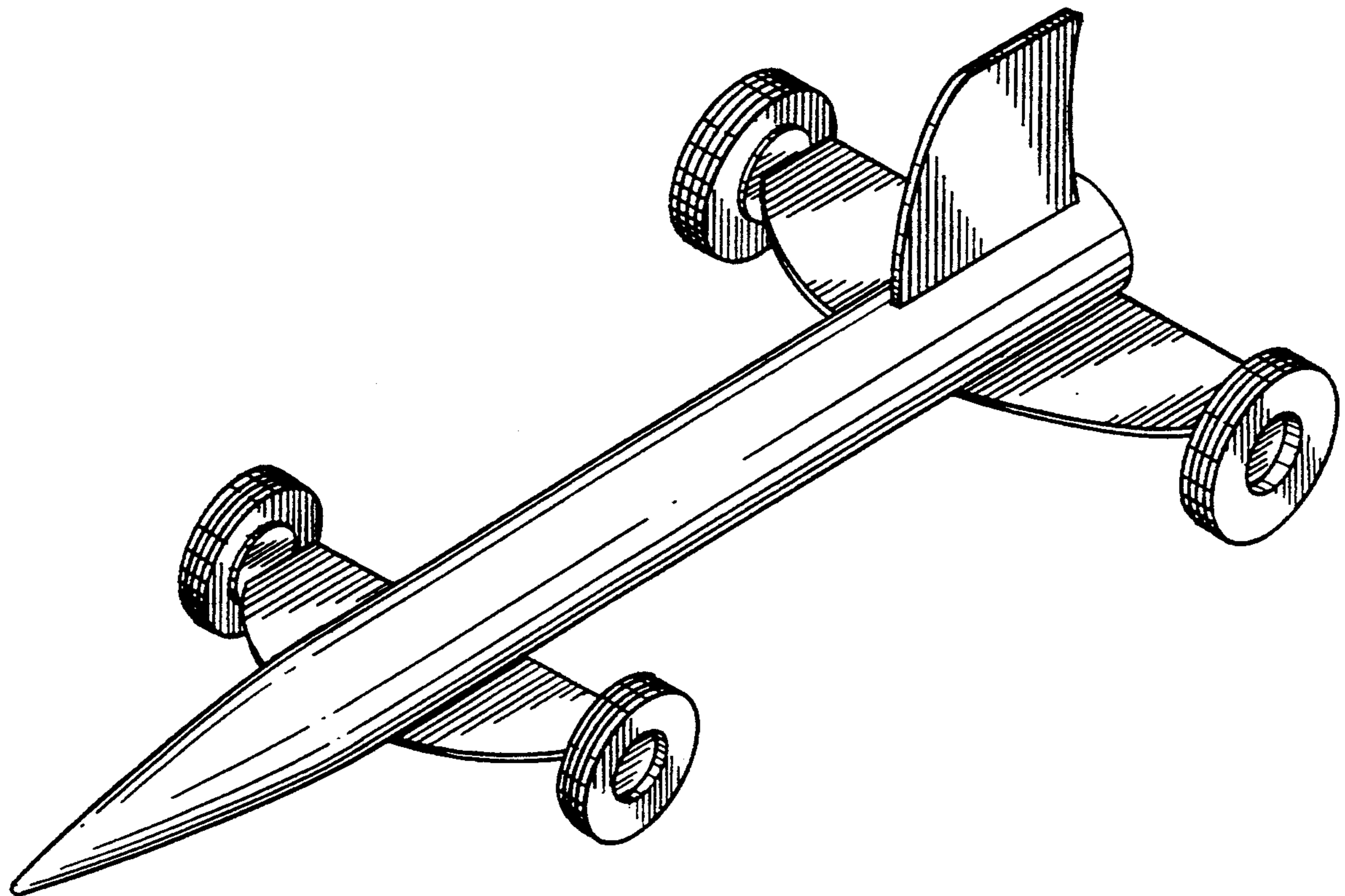
### DESCRIPTION

FIG. 1 is a front, top and side perspective view of the guidable rocket powered toy car showing my new design;  
FIG. 2 is a front elevational view thereof;  
FIG. 3 is a rear elevational view thereof;  
FIG. 4 is a side elevational view thereof, the side opposite being a mirror image of the side shown in FIG. 4;  
FIG. 5 is a top plan view thereof; and,  
FIG. 6 is a bottom plan view thereof.

### [56] References Cited

#### U.S. PATENT DOCUMENTS

D. 75,910	7/1928	Gordon .....	D21/78
D. 148,761	2/1948	Carmody .....	D21/78
D. 186,034	9/1959	Haines .....	D21/134
D. 218,696	9/1970	Auer .....	D21/78
D. 239,865	5/1976	Pinsler .....	D21/136
D. 248,886	8/1978	Kato .....	D21/136
D. 256,703	9/1980	Munn .....	D21/137



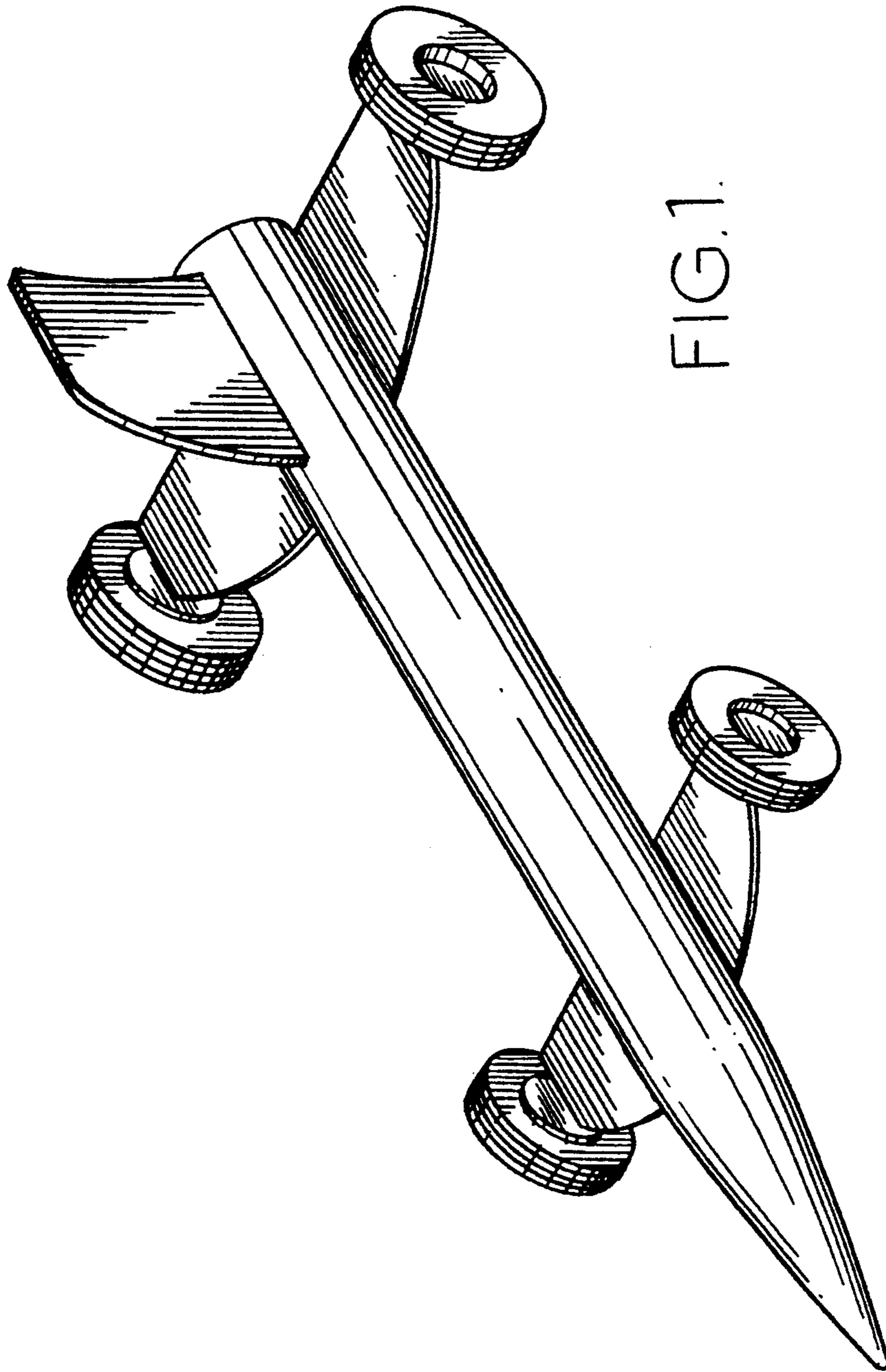
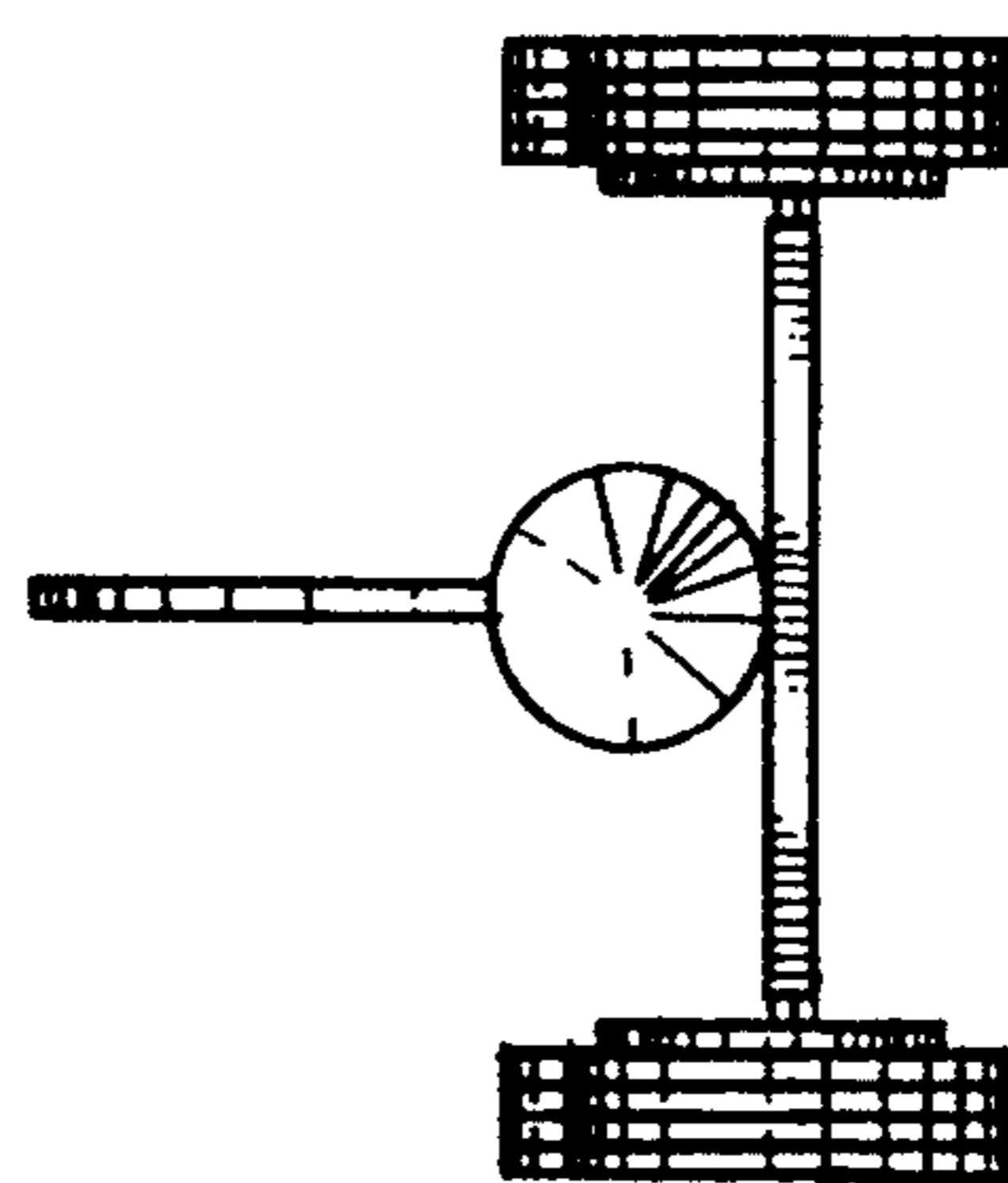
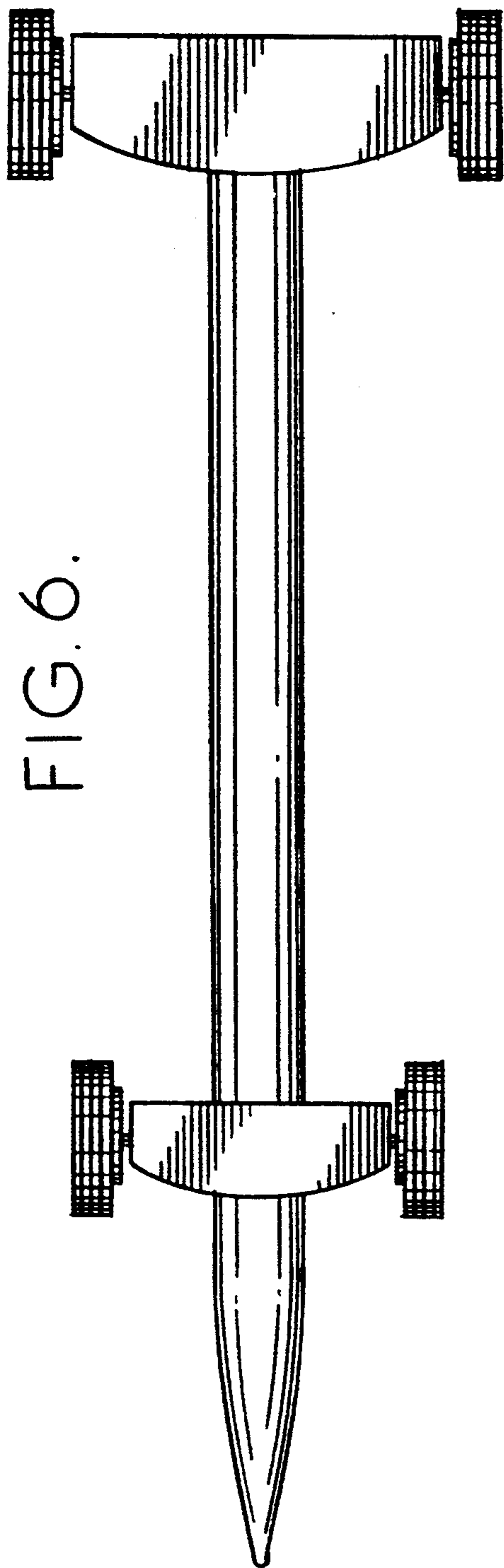


FIG. 1.



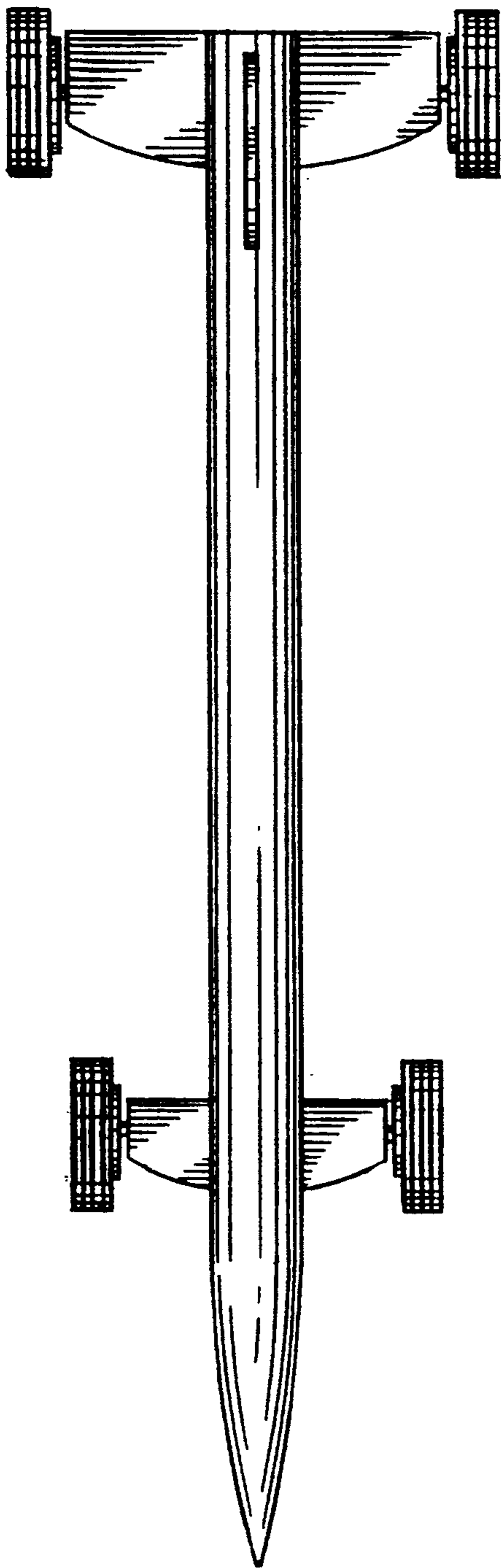


FIG. 5.

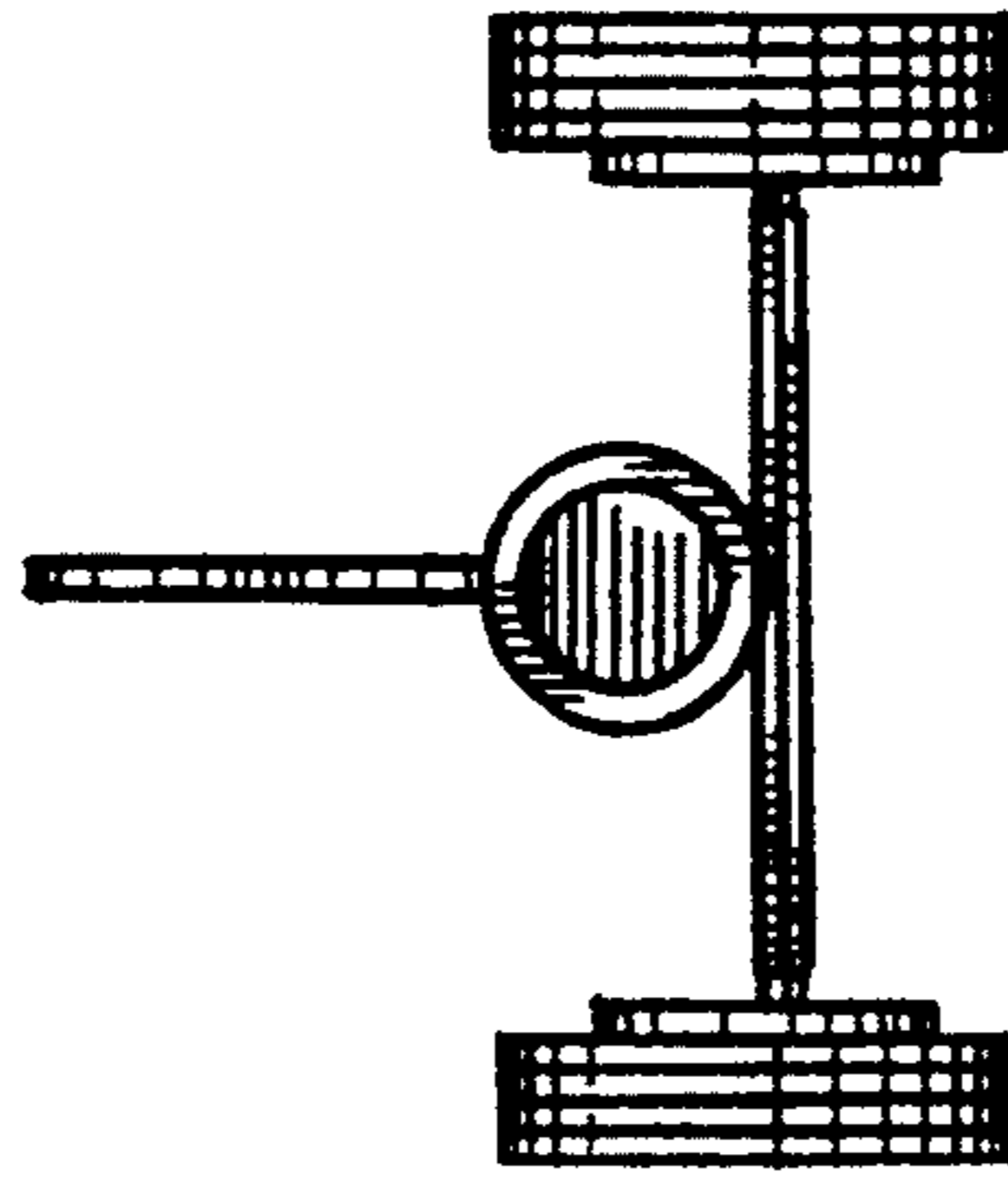


FIG. 3.

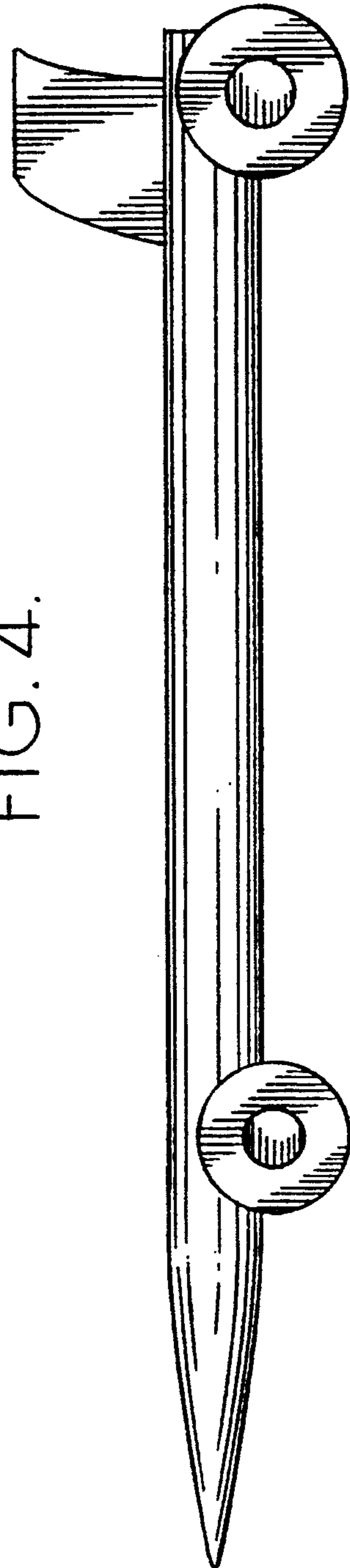


FIG. 4.