



US00D352530S

United States Patent [19]

[11] Patent Number: Des. 352,530

Gauvreau

[45] Date of Patent: ** Nov. 15, 1994

[54] **HOLDER FOR BINGO CARDS**

[76] Inventor: **Oscar Gauvreau**, 1529 Gemmell St., Sudbury, Ontario, Canada P3A 1H2

[**] Term: **14 Years**

[21] Appl. No.: **8,216**

[22] Filed: **May 12, 1993**

[30] **Foreign Application Priority Data**

Nov. 13, 1992 [CA] Canada 13-11-92-8

[52] U.S. Cl. **D21/54; D21/57**

[58] Field of Search 273/148 A, 150, 269, 273/270; D21/54, 55

[56] **References Cited**

U.S. PATENT DOCUMENTS

D. 256,034	7/1980	Beaman	D21/55
D. 262,727	1/1982	Snyder	D21/54
D. 311,578	10/1990	MacIsaac	D21/54
826,783	7/1906	Healy	D21/54
1,569,701	1/1926	Bostrom	273/150
1,705,581	3/1929	Marco .	
1,955,340	4/1934	McPherson	273/150

2,872,215	2/1959	Taylor .	
3,811,680	5/1974	Benesch .	
3,895,806	7/1975	Burns .	
4,241,921	12/1980	Miller	273/148 A
4,291,882	9/1981	DelMonte .	
4,468,032	8/1984	Stewart .	
4,544,158	10/1985	Kilmonis	273/150
4,795,162	1/1989	Rhetts .	
4,948,739	8/1990	Heeszel .	
5,054,783	10/1991	Hull et al. .	
5,120,069	6/1992	Shaw .	

Primary Examiner—Bernard Ansher
Assistant Examiner—Sandra Morris
Attorney, Agent, or Firm—Robert W. B. Bailey

[57] **CLAIM**

The ornamental design for a holder for bingo cards, as shown and described.

DESCRIPTION

FIG. 1 is a top perspective view of a holder for bingo cards, showing my new design; FIG. 2 is a bottom perspective view thereof; FIG. 3 is a top plan view thereof; and, FIG. 4 is a left side elevational view thereof.

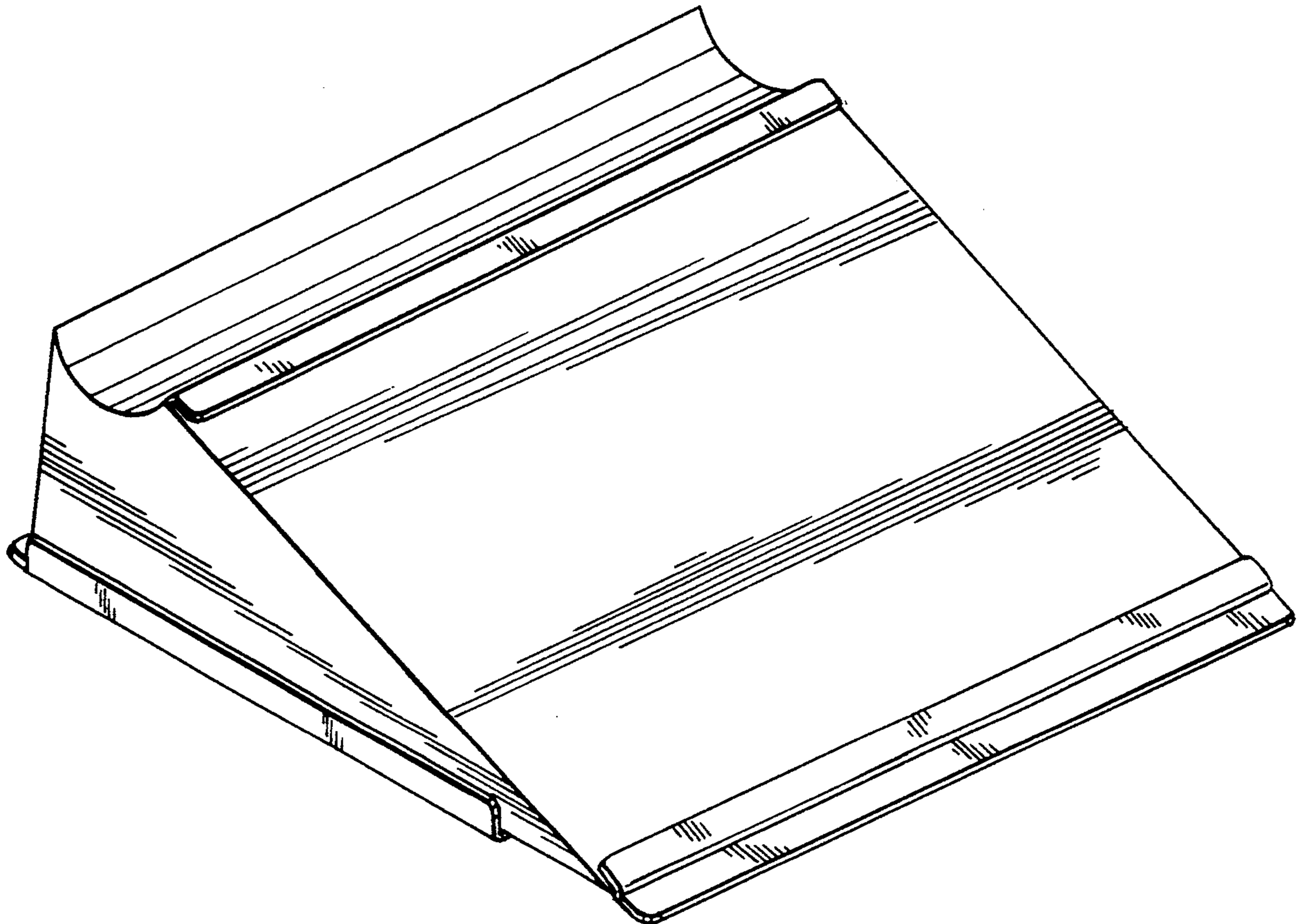


FIG. 1

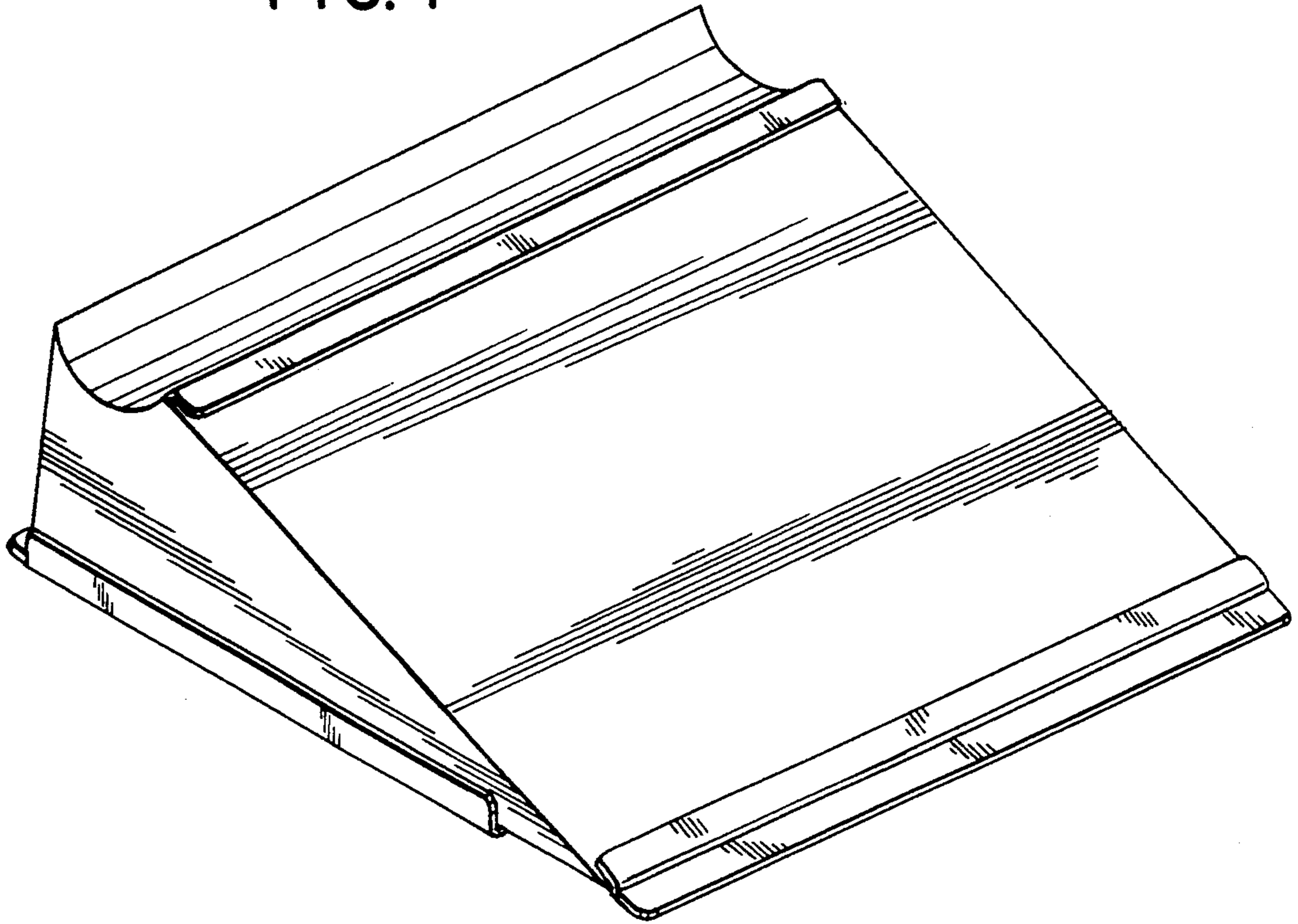


FIG. 2

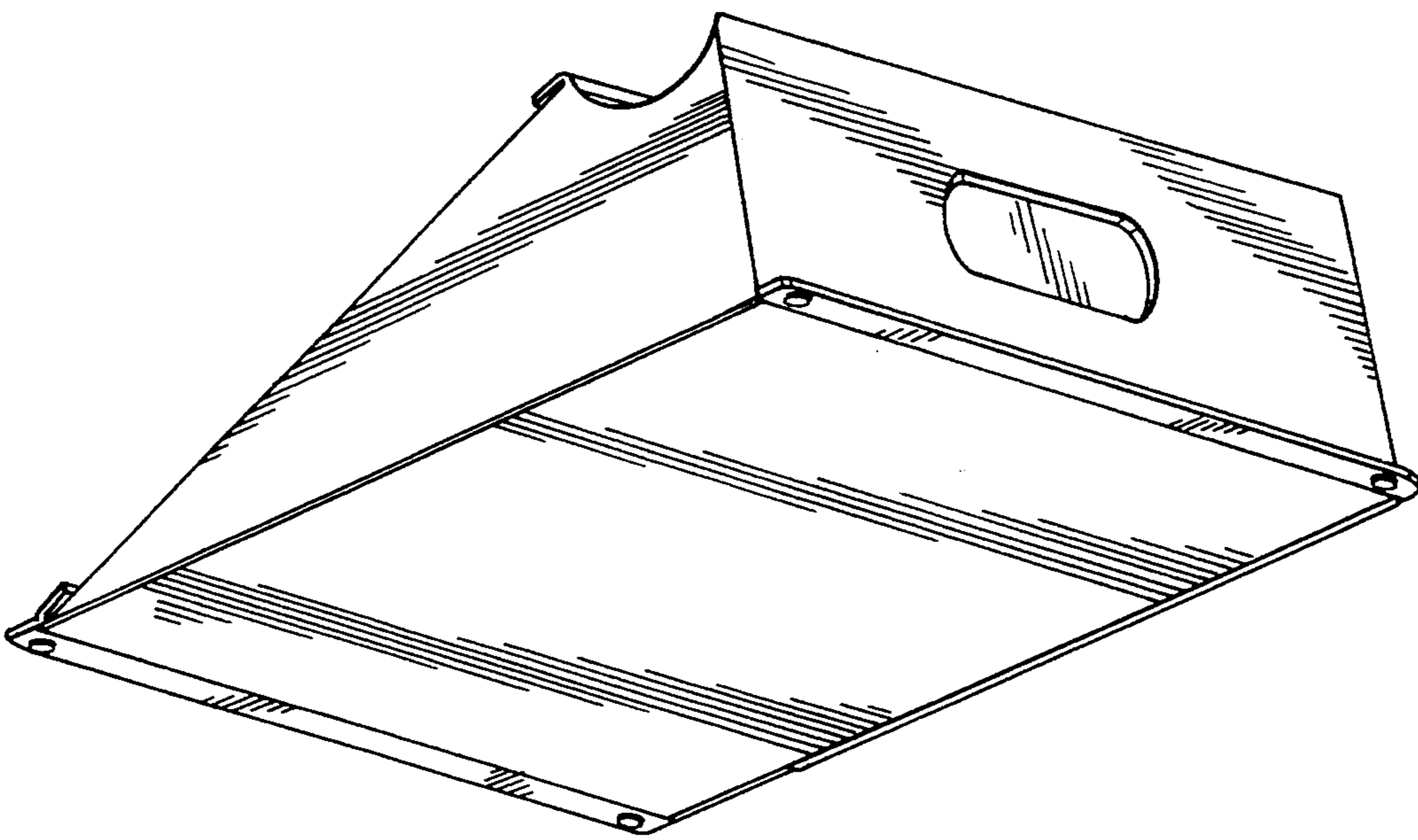


FIG. 3

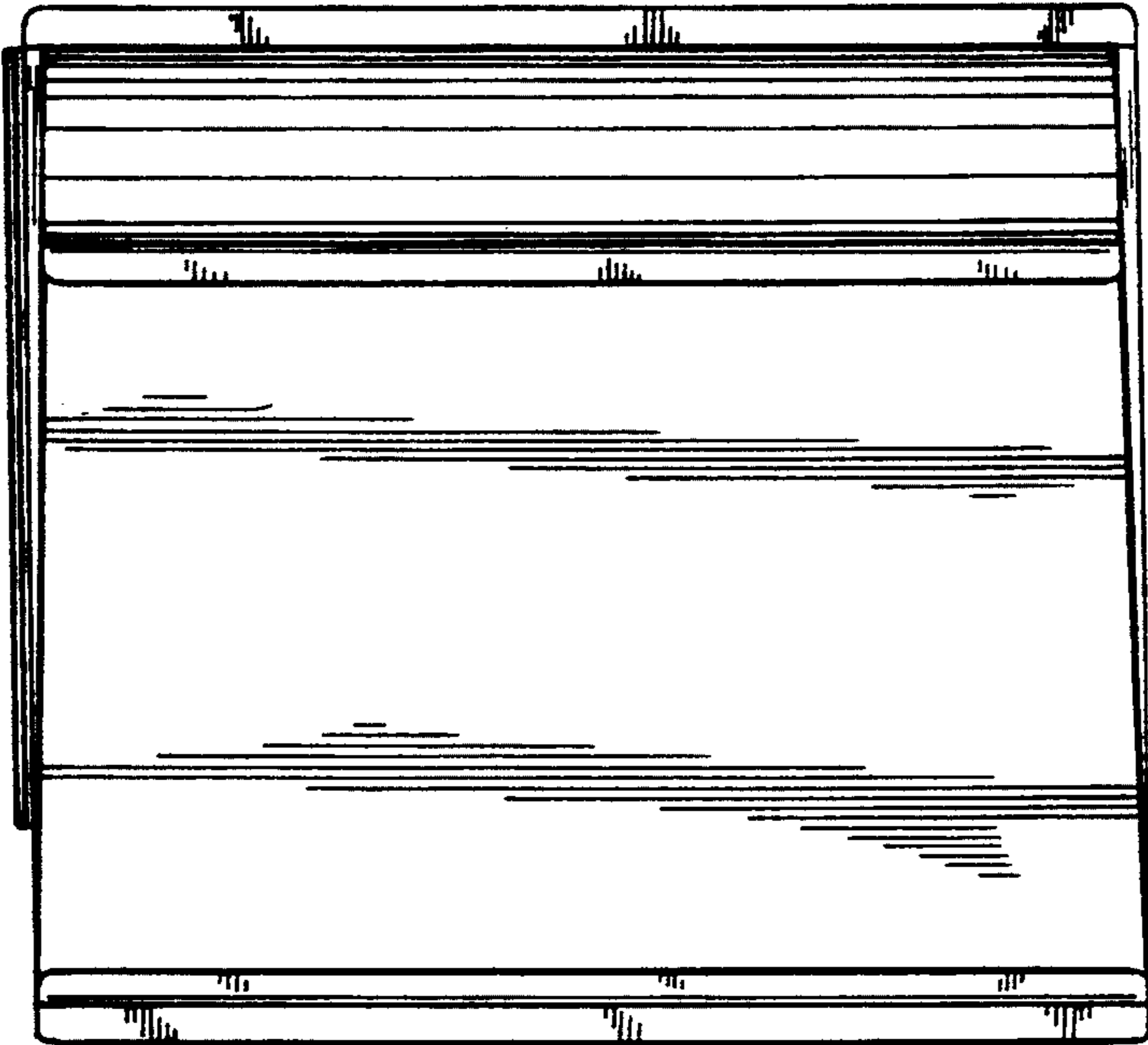


FIG. 4

