



US00D352529S

United States Patent [19]
Ho

[11] **Patent Number: Des. 352,529**
[45] **Date of Patent: ** Nov. 15, 1994**

[54] **JOYSTICK**

4,770,416 9/1988 Shimizu et al. 273/433 X
4,924,216 5/1990 Leung 273/148 B X

[75] **Inventor: Patrick T. Ho, Kwai Chung, Hong Kong**

[73] **Assignee: STD Electronic International Ltd., Hong Kong**

[**] **Term: 14 Years**

[21] **Appl. No.: 13,475**

[22] **Filed: Sep. 24, 1993**

[52] **U.S. Cl. D21/48**

[58] **Field of Search 273/148 B, 433-438, 273/DIG. 28; D21/1, 13, 48; D14/114, 121, 218, 239**

[56] **References Cited**

U.S. PATENT DOCUMENTS

- D. 282,759 2/1986 Weissberg D21/48
- D. 313,251 12/1990 Hayes D21/48
- D. 345,994 4/1994 Shian D21/48
- 4,469,330 9/1984 Asher 273/148 B

OTHER PUBLICATIONS

Playthings, Sep. 1988, p. 49, as circled.
Home Furnishing Daily, Feb. 1988, p. 79 as circled.

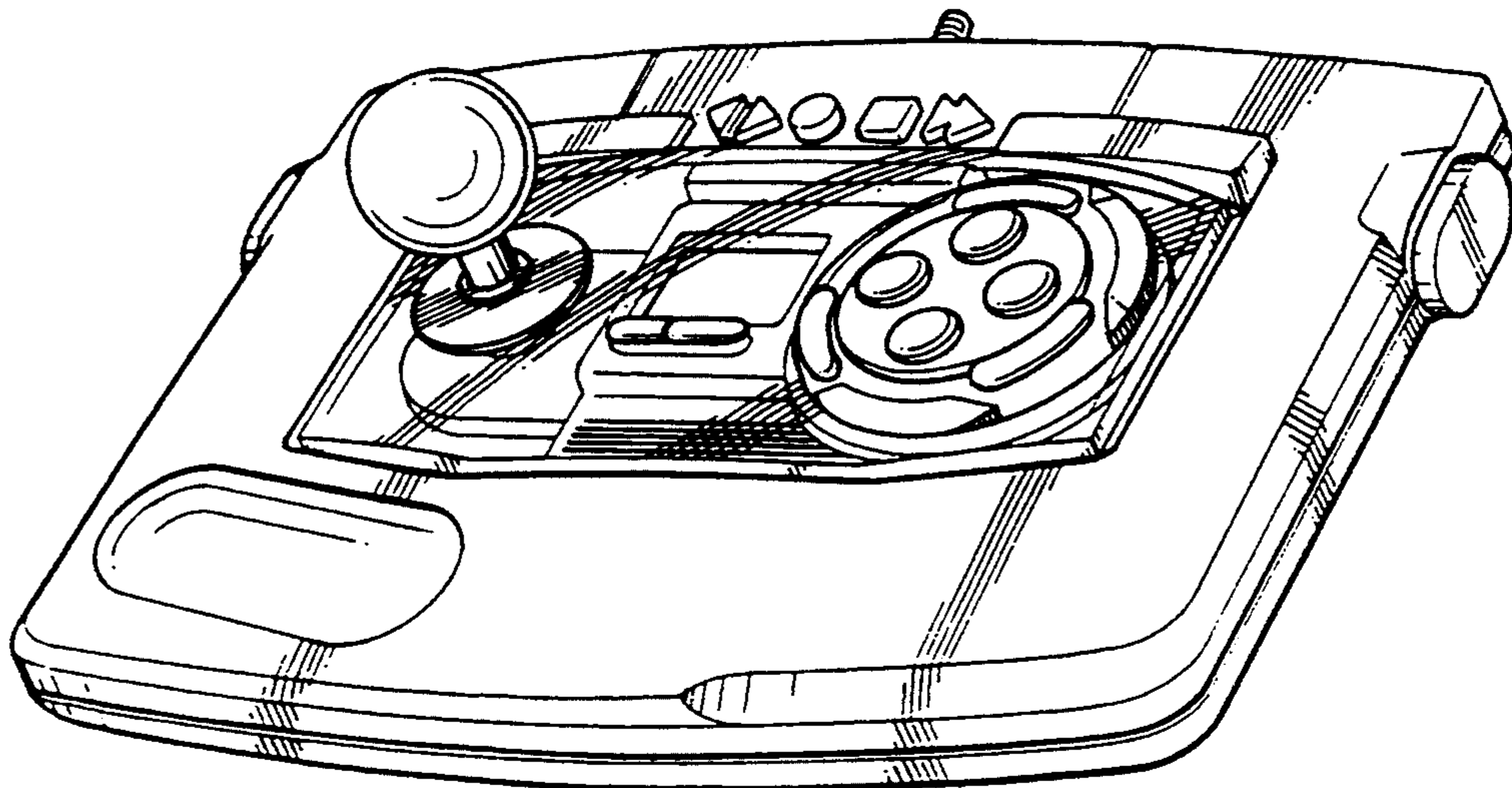
Primary Examiner—Prabhakar G. Deshmukh
Attorney, Agent, or Firm—Samuels, Gauthier & Stevens

[57] **CLAIM**

The ornamental design for a joystick, as shown and described.

DESCRIPTION

FIG. 1 is the front elevational view of a joystick showing my new design;
FIG. 2 is the rear elevational view thereof;
FIG. 3 is the left side view thereof;
FIG. 4 is the right side view thereof;
FIG. 5 is the top plan view thereof;
FIG. 6 is the bottom plan view thereof; and,
FIG. 7 is the perspective view from front and above thereof.



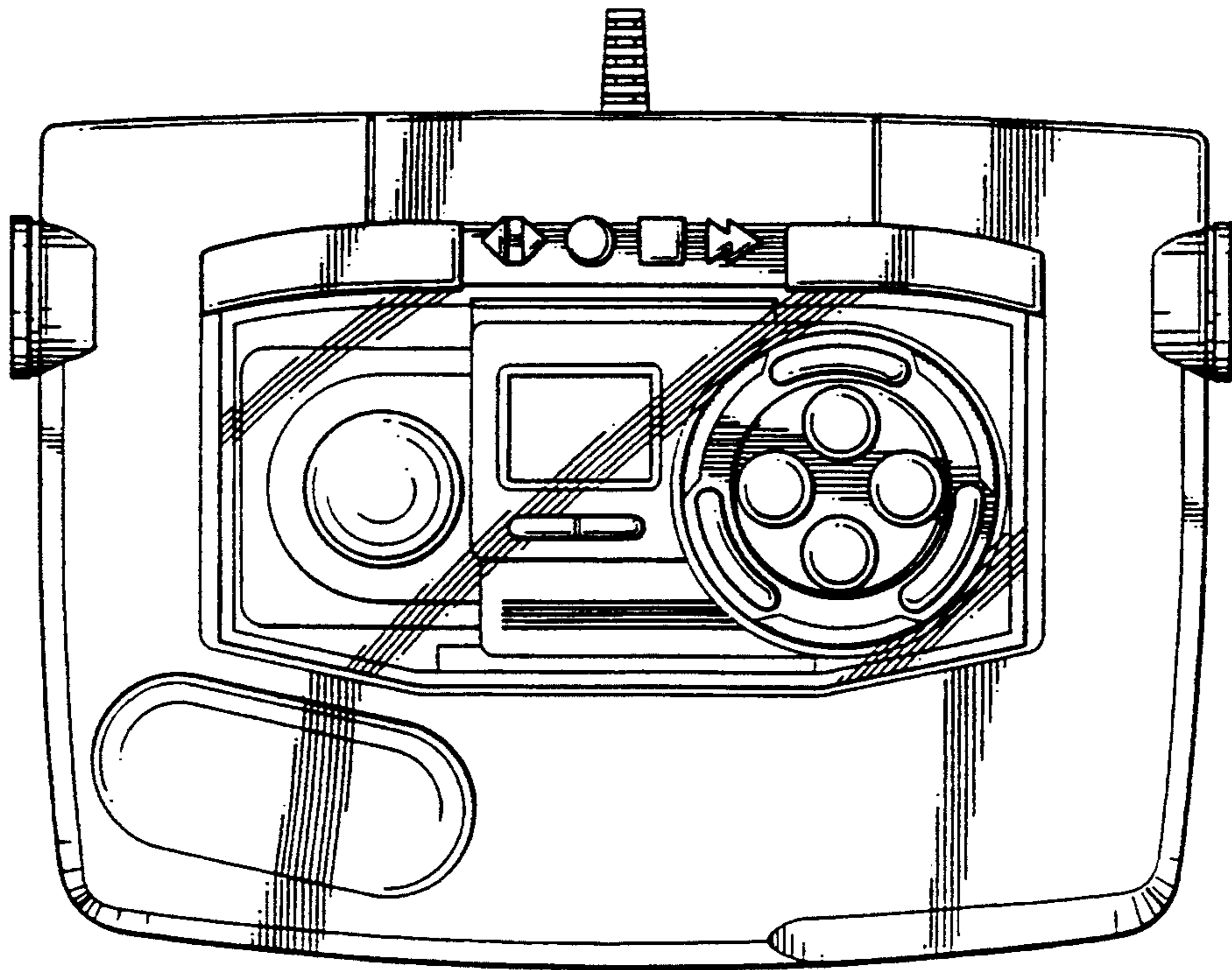


FIG. 1

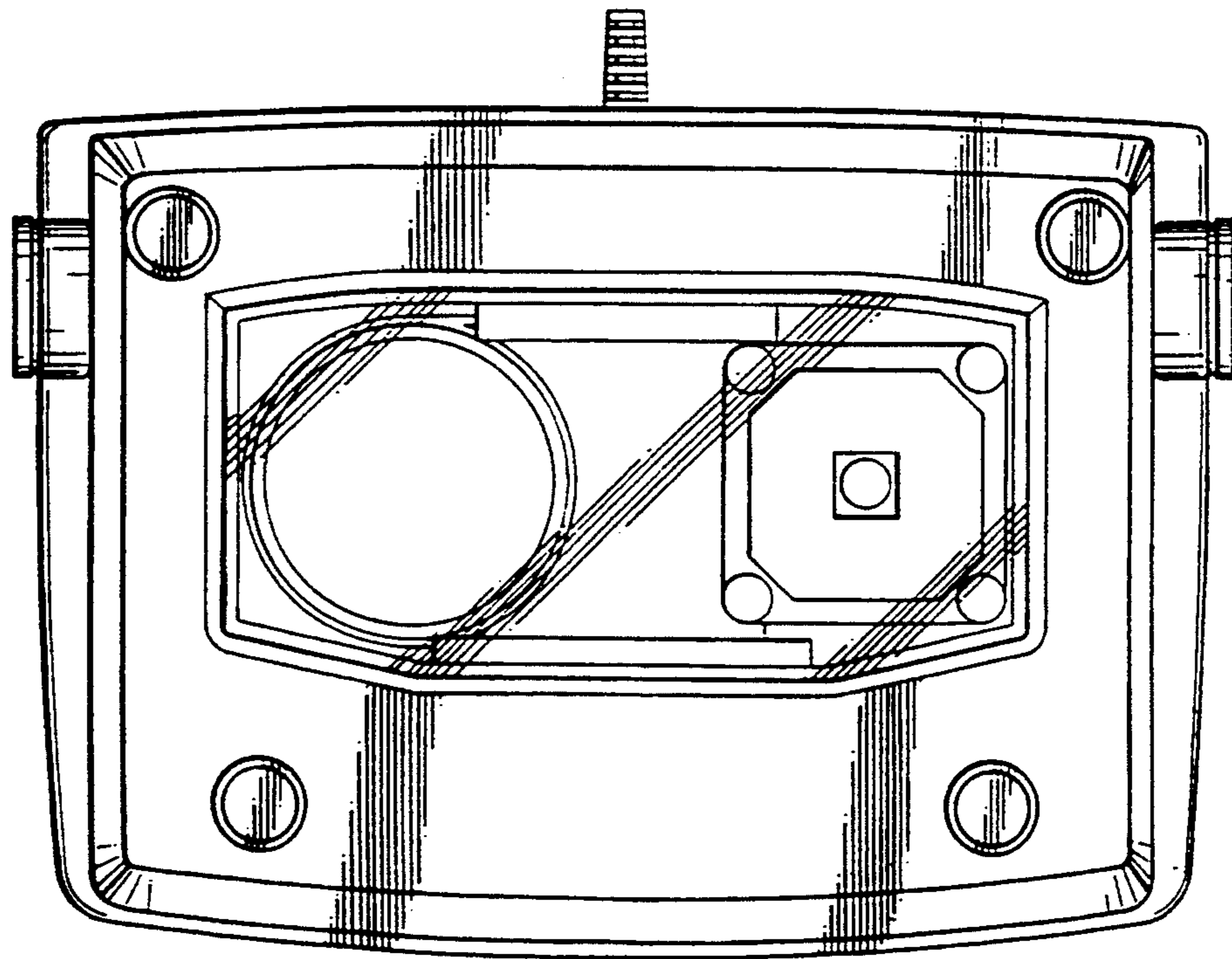


FIG. 2

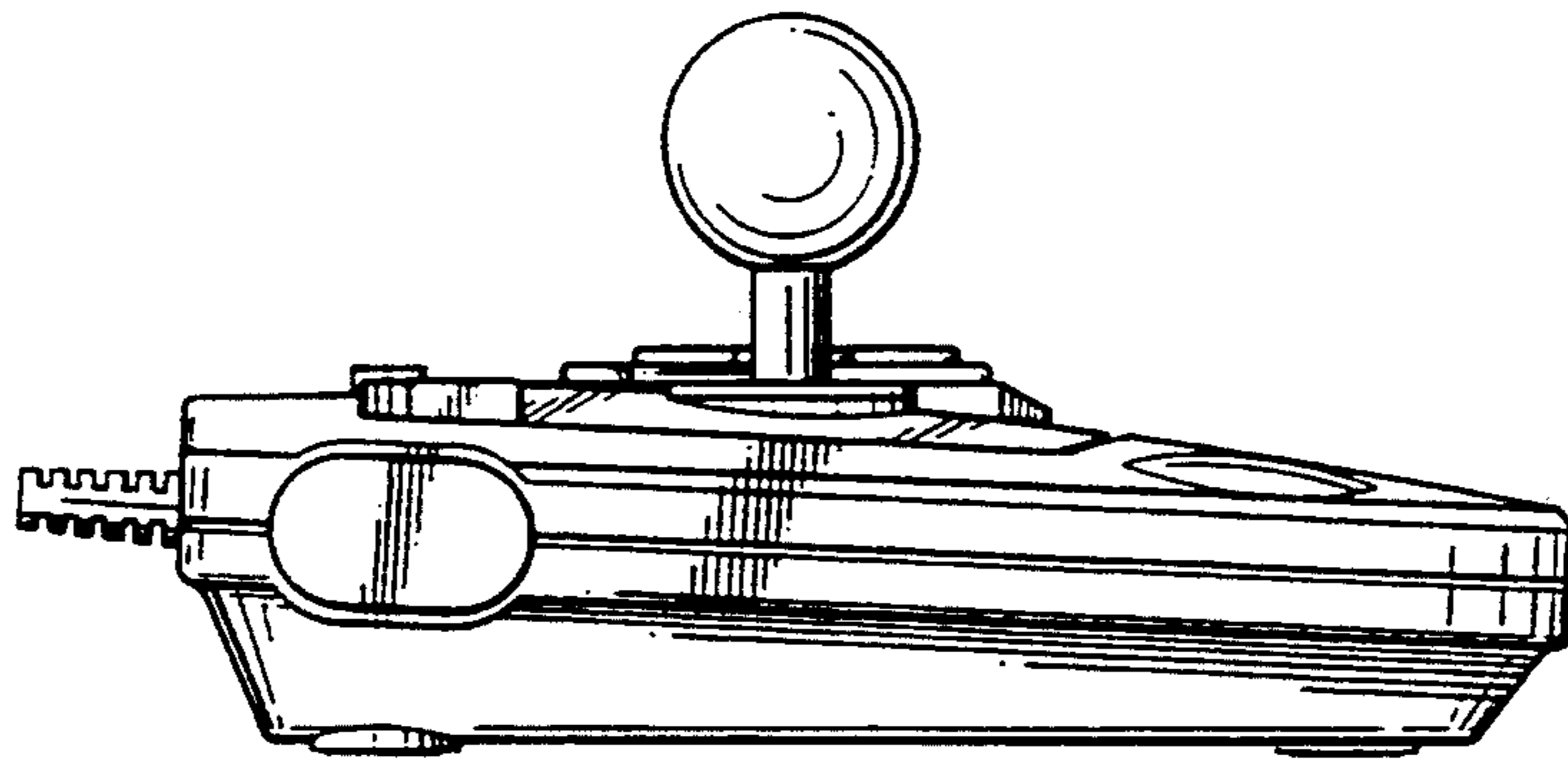


FIG. 3

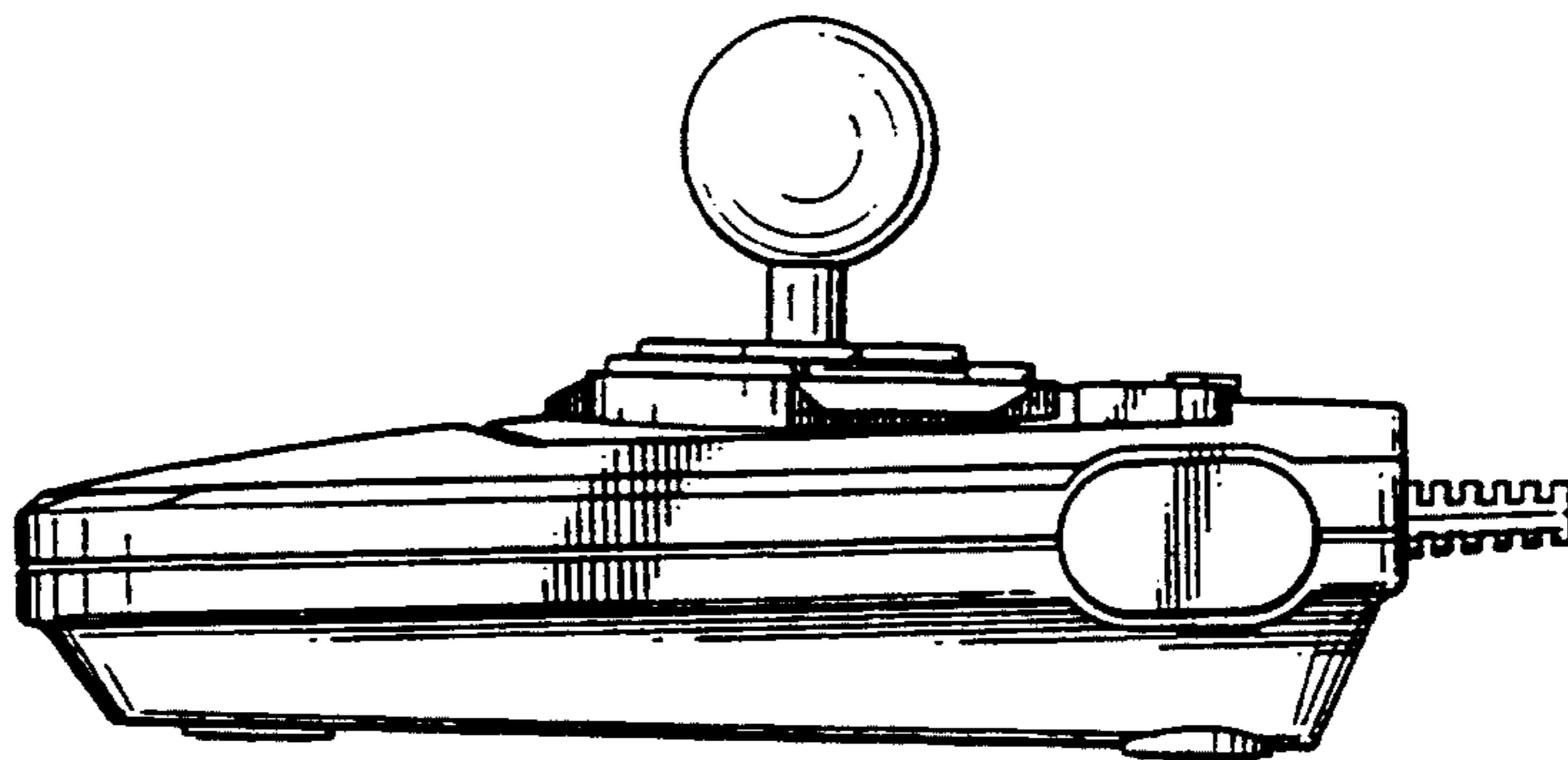


FIG. 4

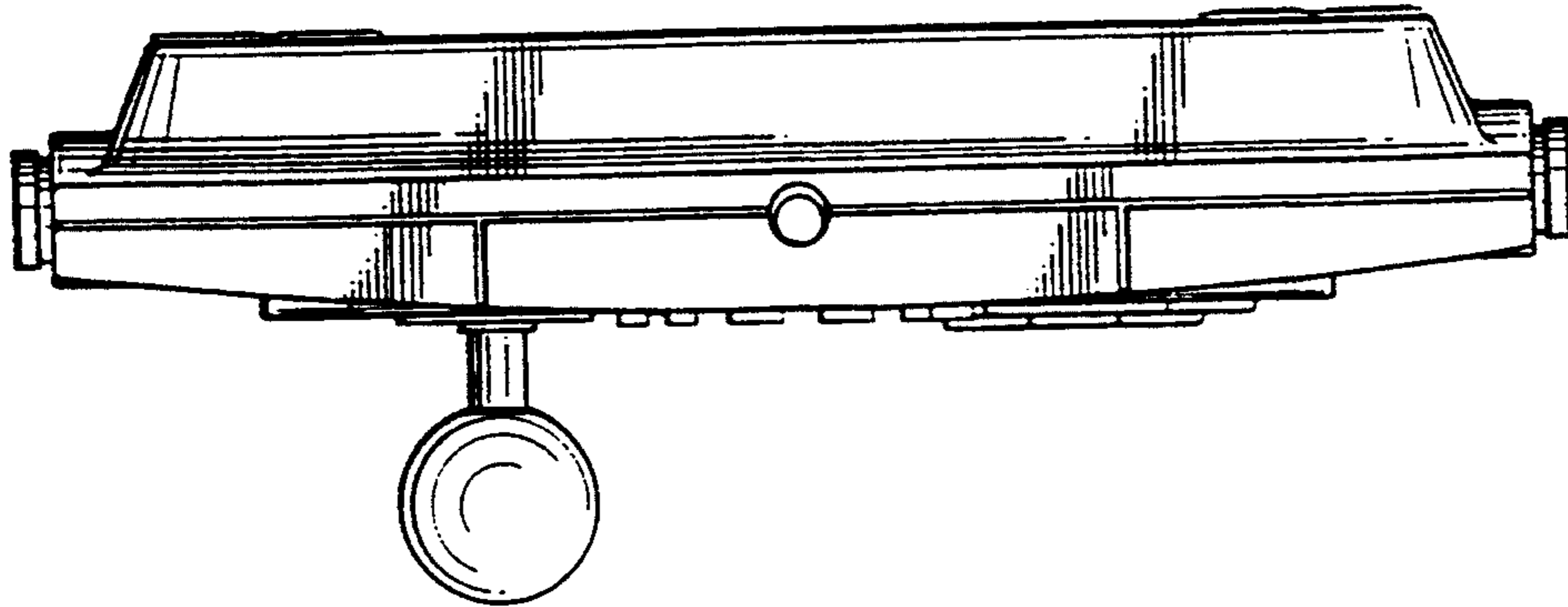


FIG. 5

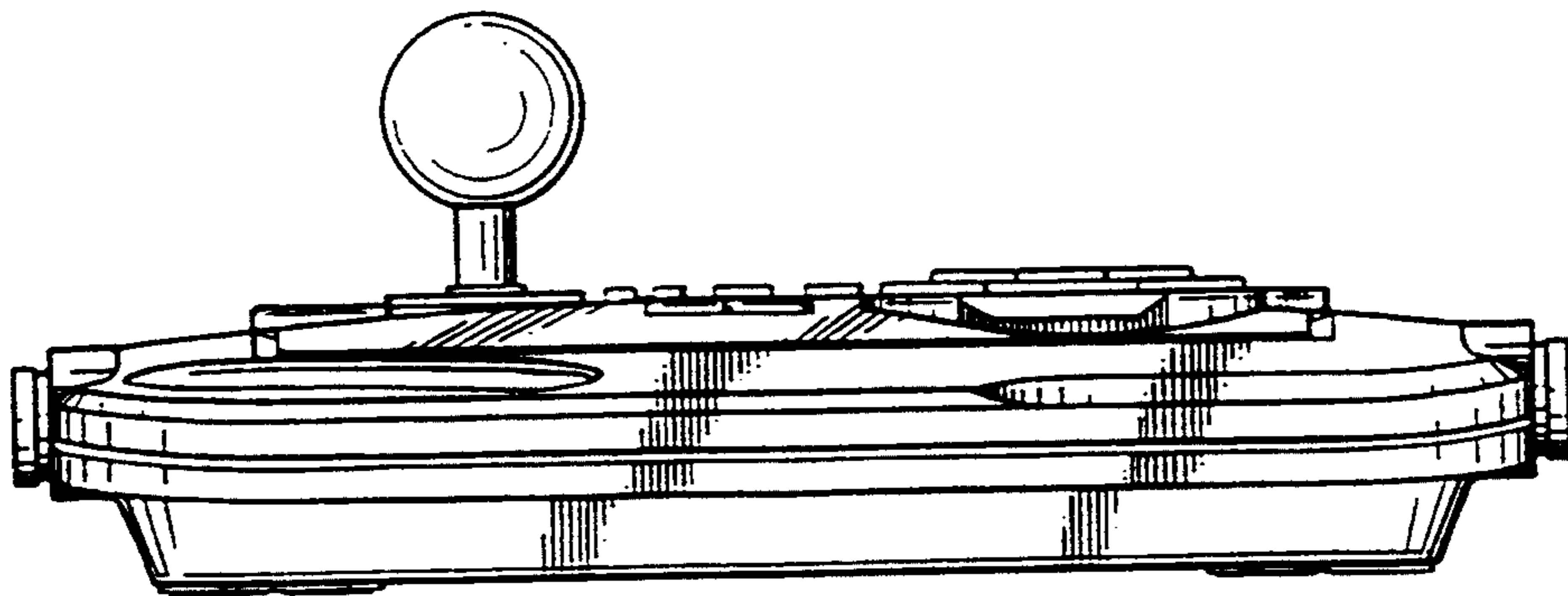


FIG. 6

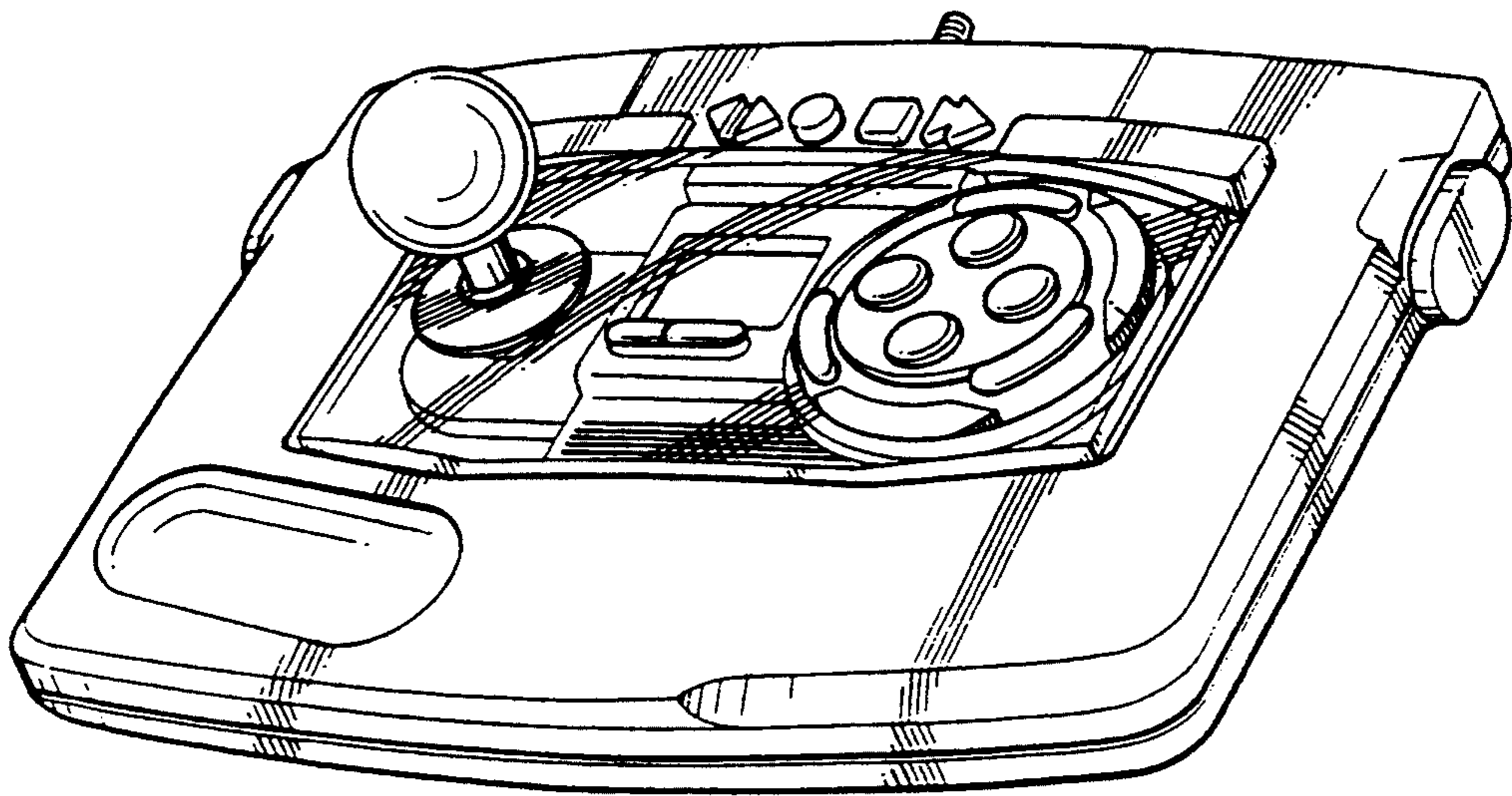


FIG. 7