



US00D352522S

United States Patent [19]

[11] Patent Number: **Des. 352,522**

Tomatsu et al.

[45] Date of Patent: **** Nov. 15, 1994**

[54] EDITOR

4,764,789	8/1988	Iwaki et al.	340/713 X
4,806,976	2/1989	Kato et al.	355/7
4,806,978	2/1989	Nakatani et al.	355/7 X

[75] Inventors: **Kenichi Tomatsu, Yokohama; Akira Momose, Narashino; Yoko Nakamura, Yokohama; Tatsuo Okuda, Tokyo; Fumio Kojima, Mitaka; Masahiro Kurita, Yokohama, all of Japan**

Primary Examiner—Alan P. Douglas
Assistant Examiner—Caron D. Veynar
Attorney, Agent, or Firm—Oblon, Spivak, McClelland, Maier & Neustadt

[73] Assignee: **Ricoh Company, Ltd., Tokyo, Japan**

[57] **CLAIM**

[**] Term: **14 Years**

The ornamental design for an editor, as shown and described.

[21] Appl. No.: **903,183**

DESCRIPTION

[22] Filed: **Jun. 25, 1992**

[52] U.S. Cl. **D18/40**

[58] Field of Search 355/7, 8, 14, 75;
340/712, 713; 178/18, 19, 20; D18/40, 36-39;
D14/107, 111, 116, 118

FIG. 1 is a top, front, and left side perspective view of an editor showing our new design;
FIG. 2 is a front elevational view thereof;
FIG. 3 is a rear elevational view thereof;
FIG. 4 is a top plan view thereof;
FIG. 5 is a bottom plan view thereof;
FIG. 6 is a right side elevational view thereof;
FIG. 7 is a left side elevational view thereof; and,
FIG. 8 is a perspective view, the broken line showing of a copy machine is environmental only and forms no part of the claimed design.

[56] **References Cited**

U.S. PATENT DOCUMENTS

D. 303,111	8/1989	Paley	D14/100
D. 303,546	9/1989	Tokuda	D18/40

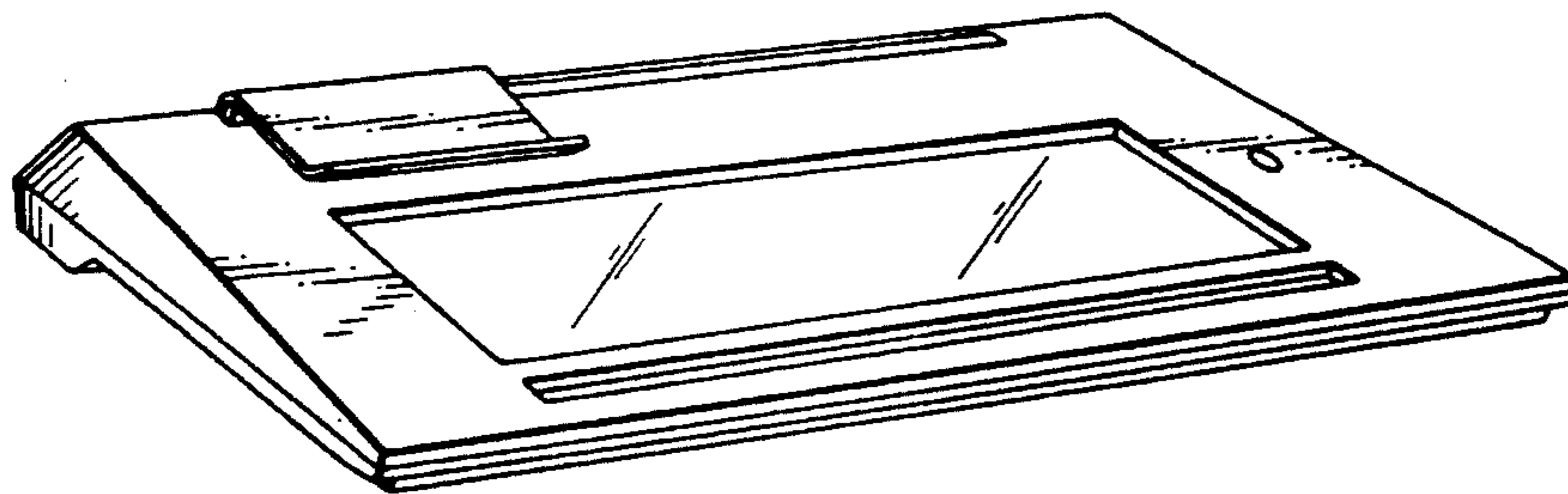


FIG. 1

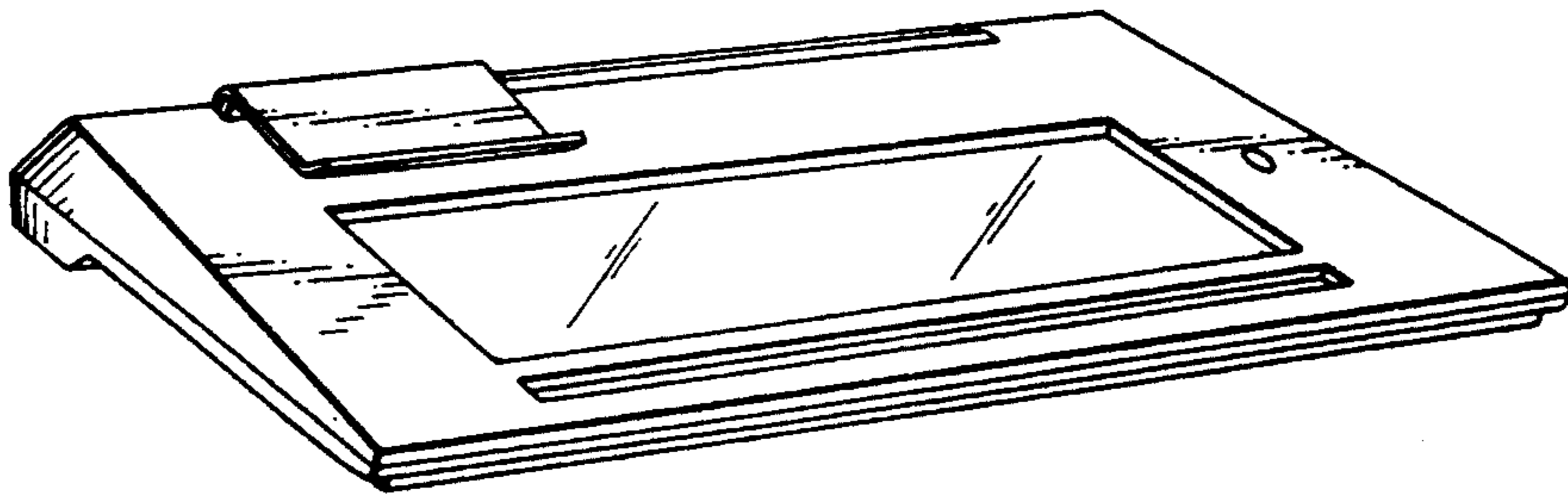


FIG. 2

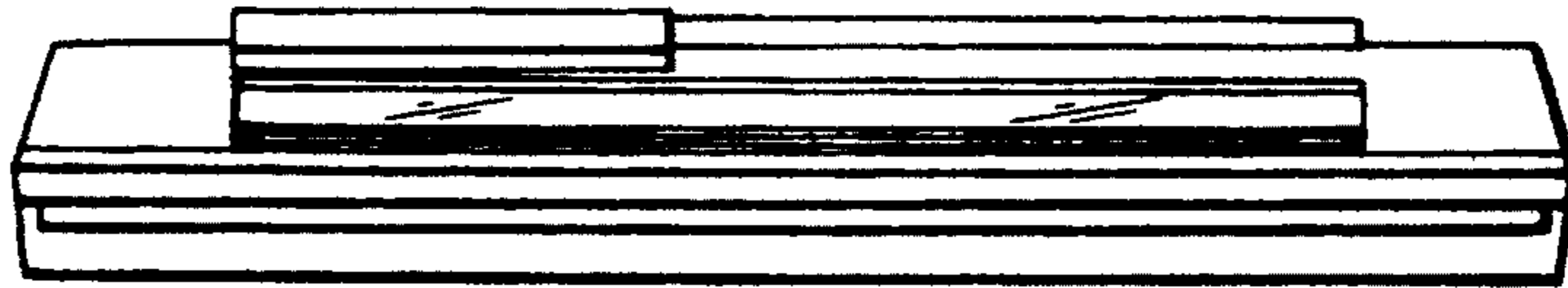


FIG. 3



FIG. 4

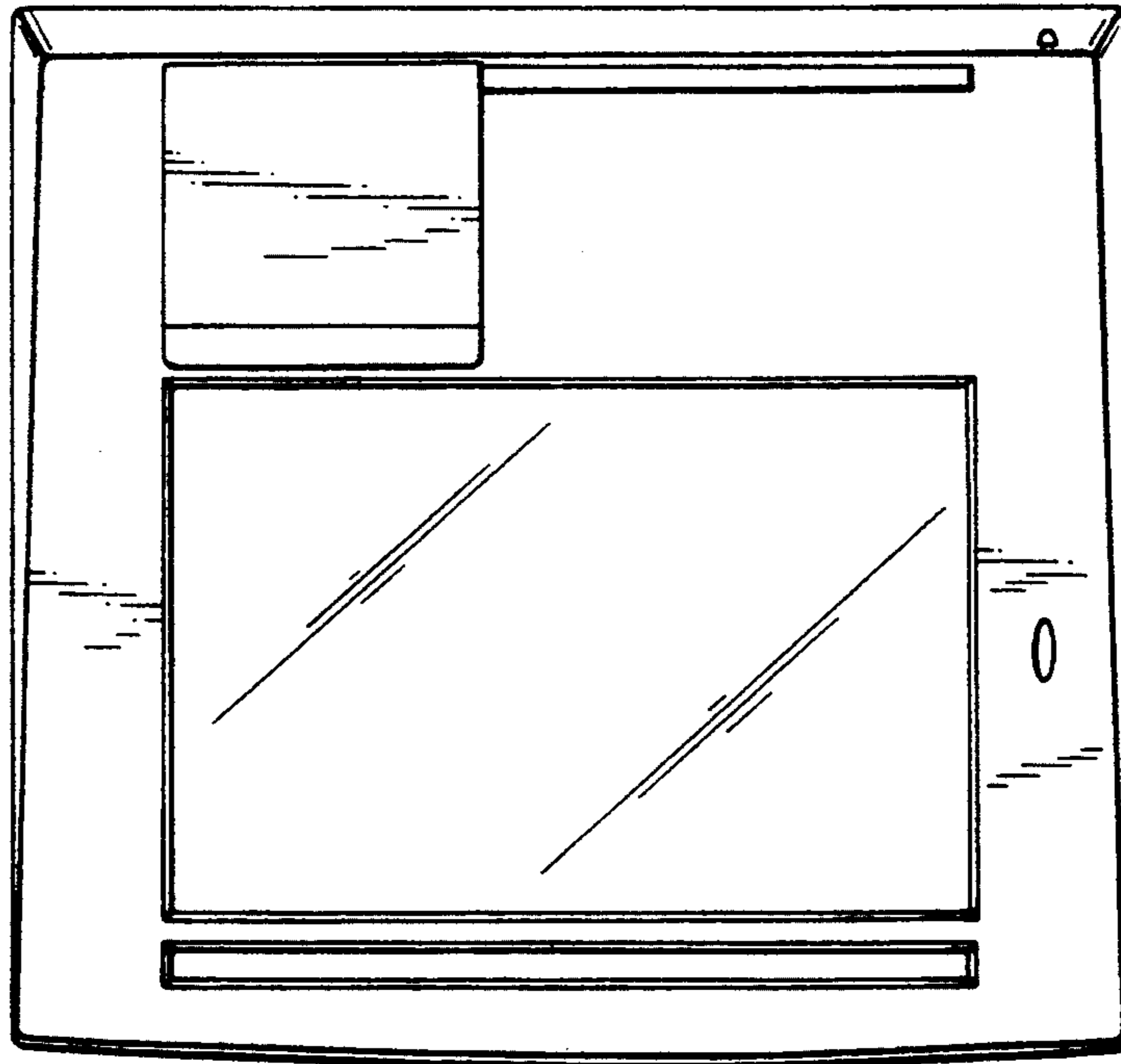


FIG. 5

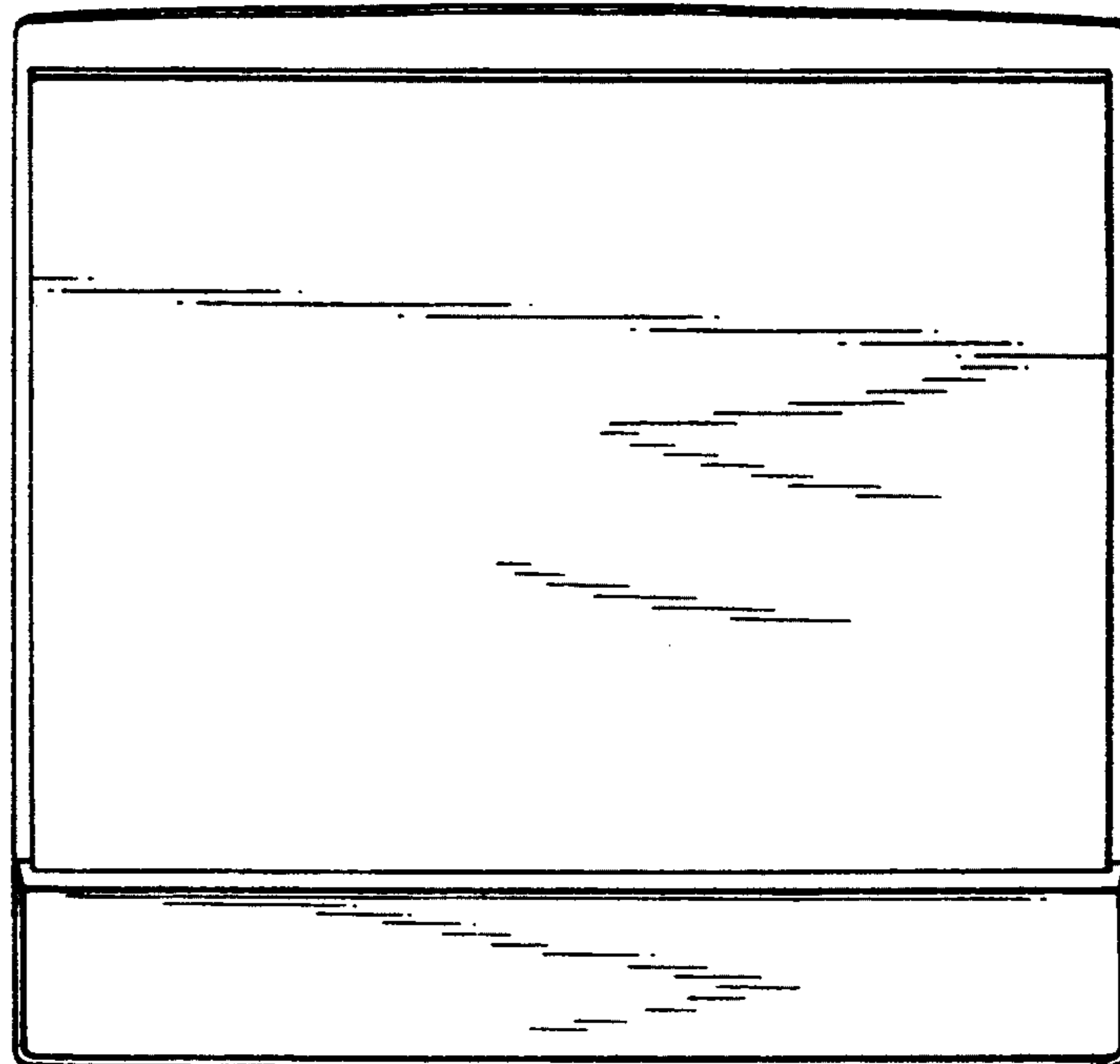


FIG. 6

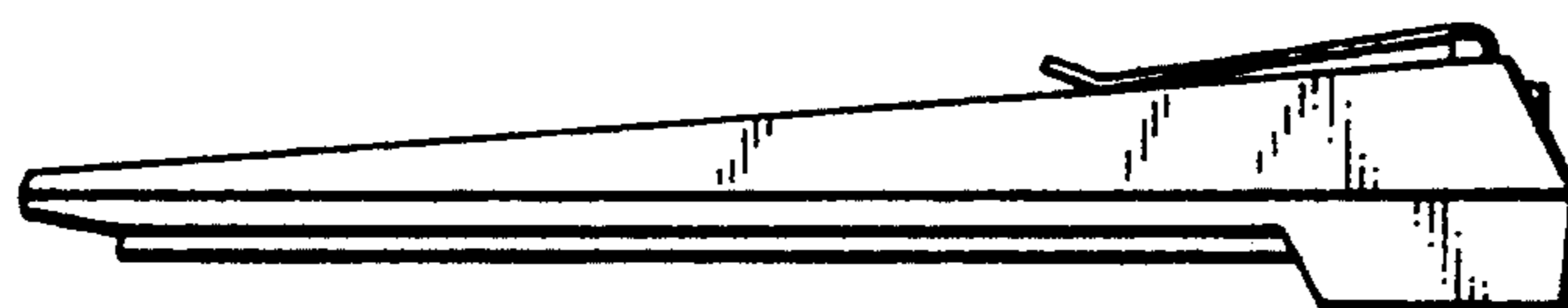


FIG. 7

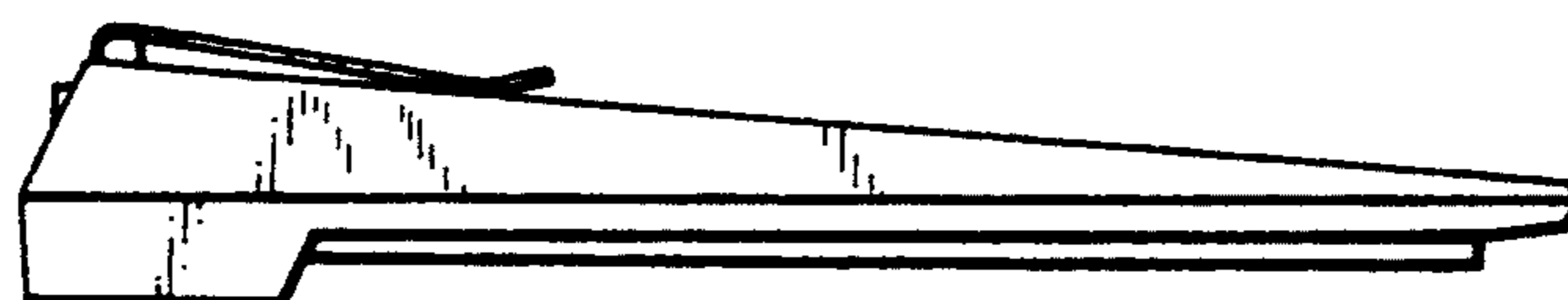
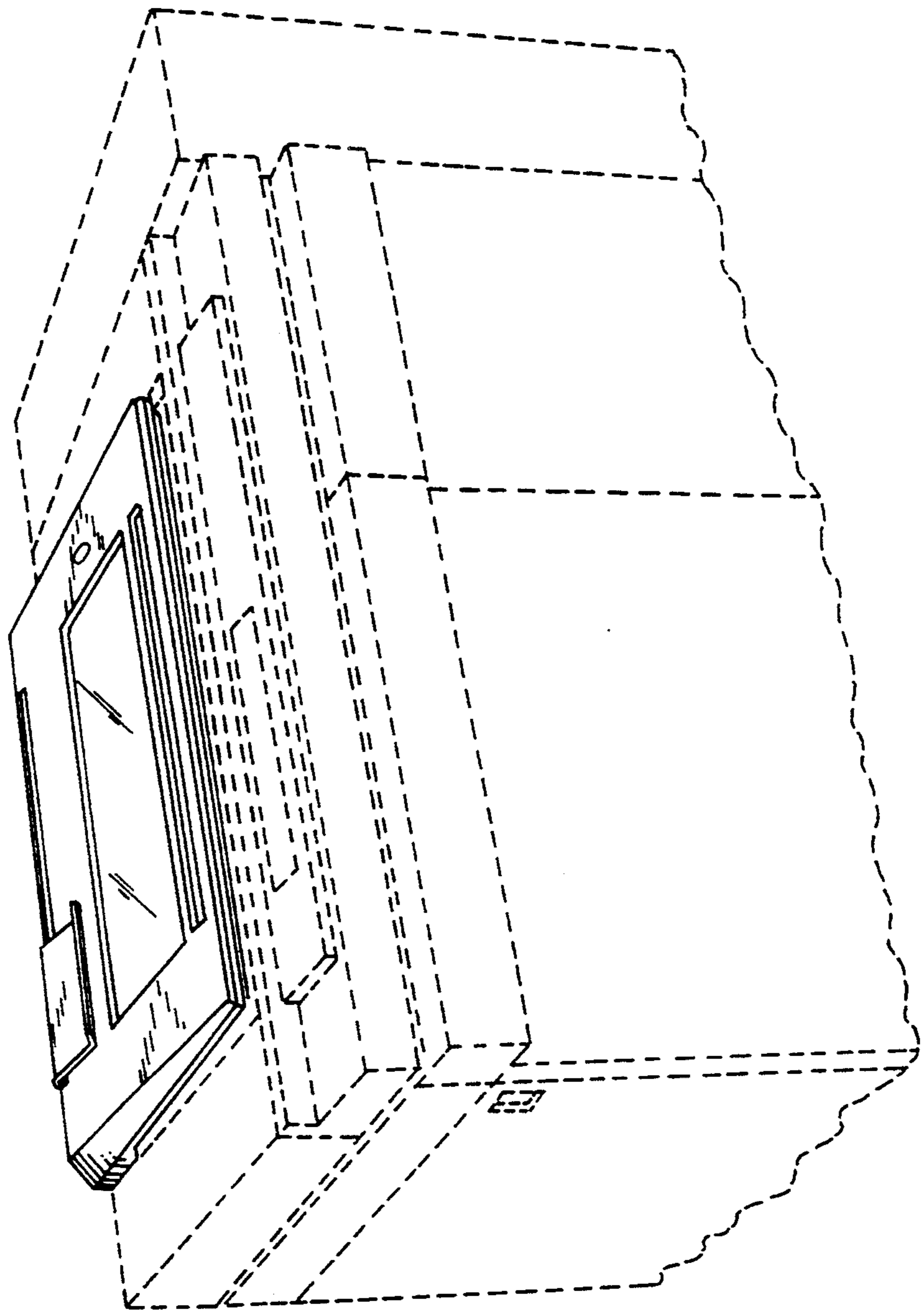


FIG. 8



UNITED STATES PATENT AND TRADEMARK OFFICE
CERTIFICATE OF CORRECTION

PATENT NO. : D352522
DATED : November 15, 1994
INVENTOR(S) : Kenichi TOMATSU, et al.

It is certified that error appears in the above-identified patent and that said Letters Patent is hereby corrected as shown below:

On the title page, Item [75], the fifth inventor's name is spelled incorrectly. It should read:

--Fumiyo Kojima--

Signed and Sealed this
Twenty-eight Day of February, 1995

Attest:



BRUCE LEHMAN

Attesting Officer

Commissioner of Patents and Trademarks