



US00D352517S

United States Patent [19]

[11] Patent Number: **Des. 352,517**

Sugiyama

[45] Date of Patent: **** Nov. 15, 1994**

[54] SINGLE LENS REFLEX STILL VIDEO CAMERA BODY

D. 328,755	8/1992	Kumakura et al.	D16/217
D. 340,735	10/1993	Tanaka et al.	D16/217
4,406,533	9/1983	Yamamoto	354/145.1

[75] Inventor: **Yoshiaki Sugiyama, Zushi, Japan**

[73] Assignee: **Canon Kabushiki Kaisha, Tokyo, Japan**

[**] Term: **14 Years**

[21] Appl. No.: **5,271**

[22] Filed: **Mar. 1, 1993**

[30] Foreign Application Priority Data

Aug. 28, 1992	[JP]	Japan	4-25640
[52]	U.S. Cl.	D16/202; D16/217	
[58]	Field of Search	354/82, 126, 152, 145.1, 354/288; 358/906; 348/373-376; D16/200-205, 208, 209, 216-218	

[56] References Cited

U.S. PATENT DOCUMENTS

D. 296,561	7/1988	Colani et al.	D16/217
D. 297,145	8/1988	Kikuchi et al.	D16/218
D. 304,729	11/1989	Sugiyama et al.	D16/217
D. 306,742	3/1919	Goto	D16/217
D. 324,691	3/1992	Sugiyama et al.	D16/217
D. 327,286	6/1992	Fukutomi	D16/202

OTHER PUBLICATIONS

Popular Photography, Nov. 1986 p. 70 (Konica Still Video SV-C40).

Popular Photography, Dec. 1987 p. 82 (Yashica 230-AF).

Primary Examiner—Bernard Ansher
Assistant Examiner—Adir Aronovich
Attorney, Agent, or Firm—Fitzpatrick, Cella, Harper & Scinto

[57] CLAIM

The ornamental design for a single lens reflex still video camera body, as shown and described.

DESCRIPTION

FIG. 1 is a front elevational view of a single lens reflex still video camera body showing my new design; FIG. 2 is a rear elevational view thereof; FIG. 3 is a top plan view thereof; FIG. 4 is a bottom plan view thereof; FIG. 5 is a left side elevational view thereof; FIG. 6 is a right side elevational view thereof; and, FIG. 7 is a perspective view thereof.

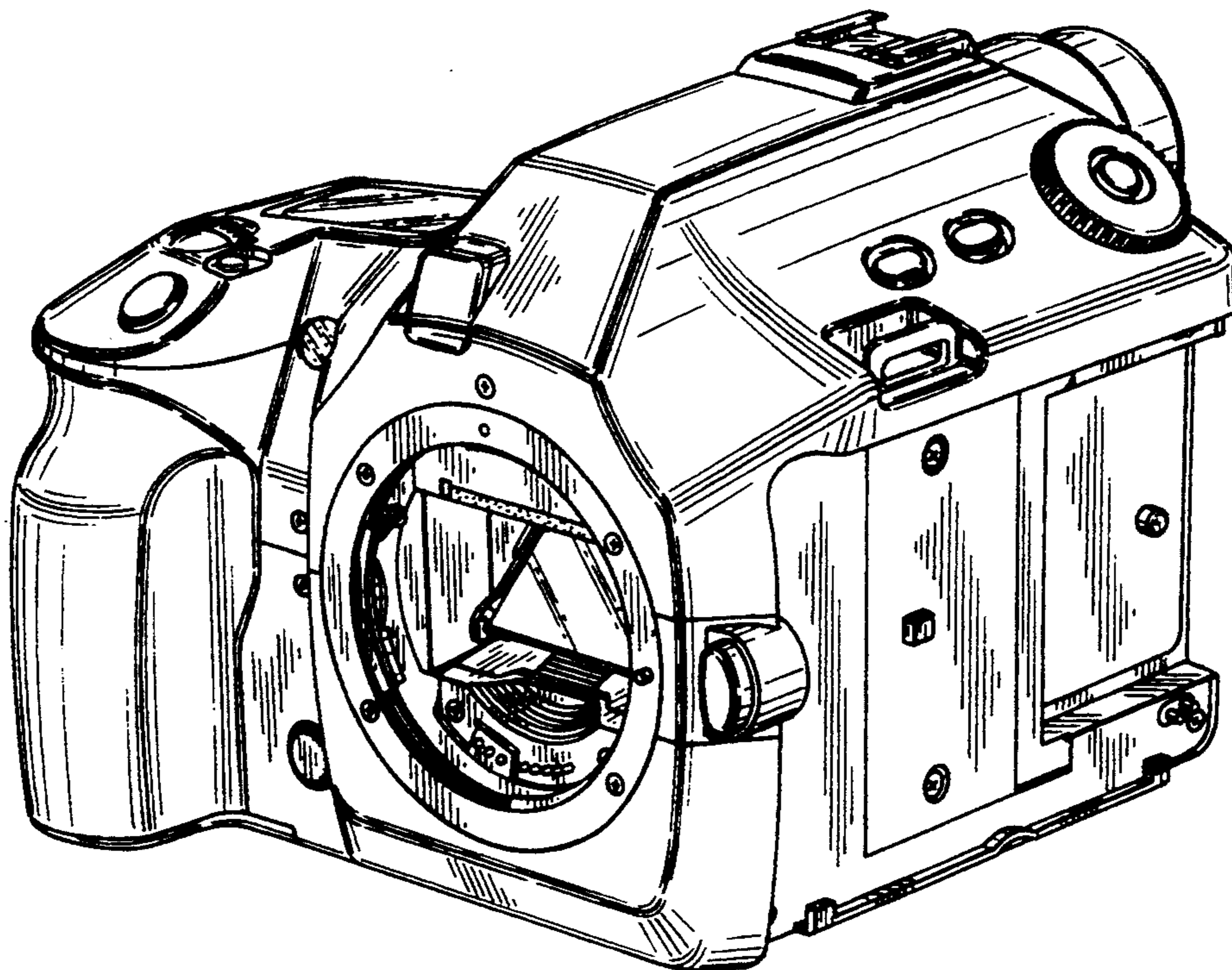


FIG. 1

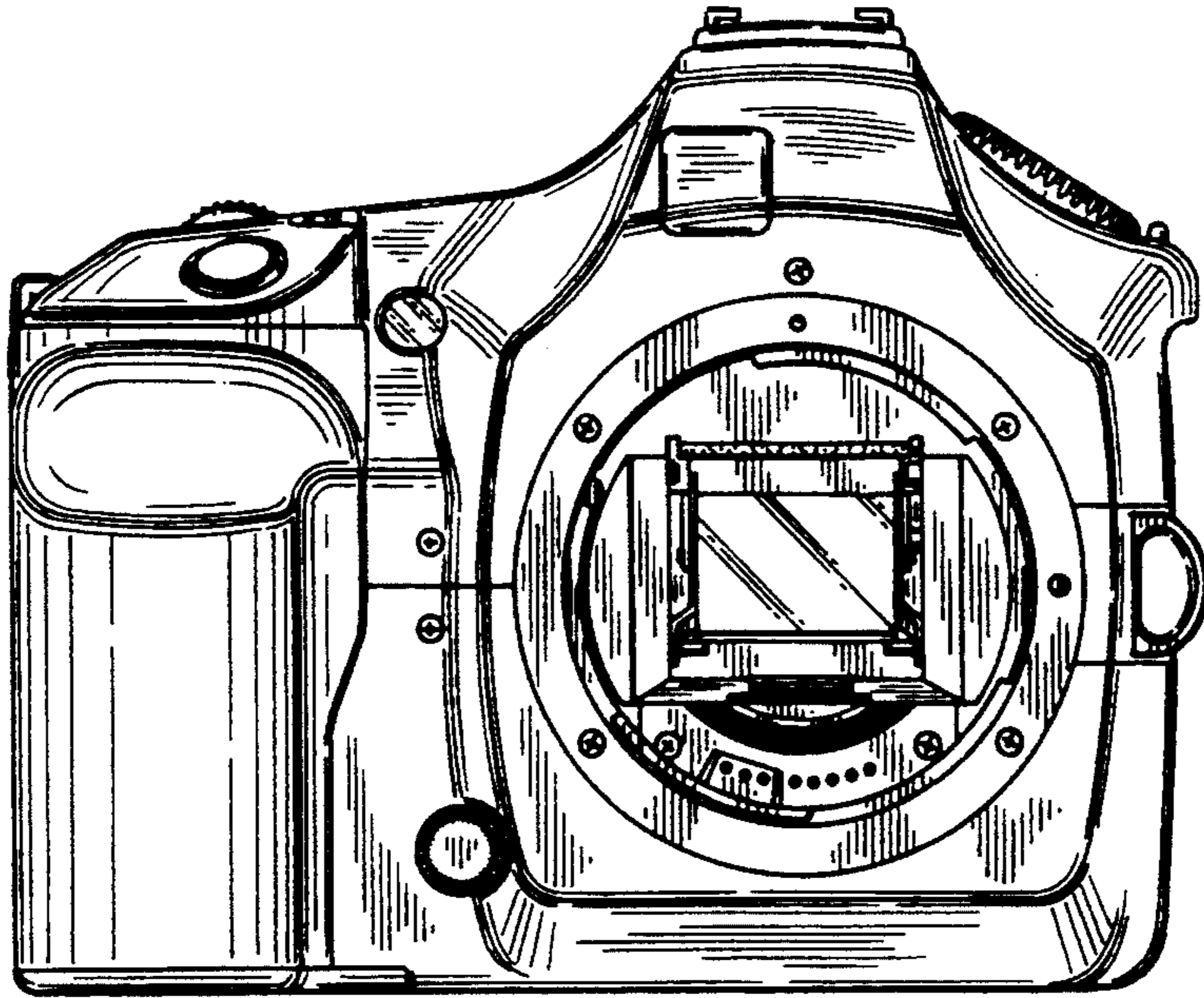


FIG. 2

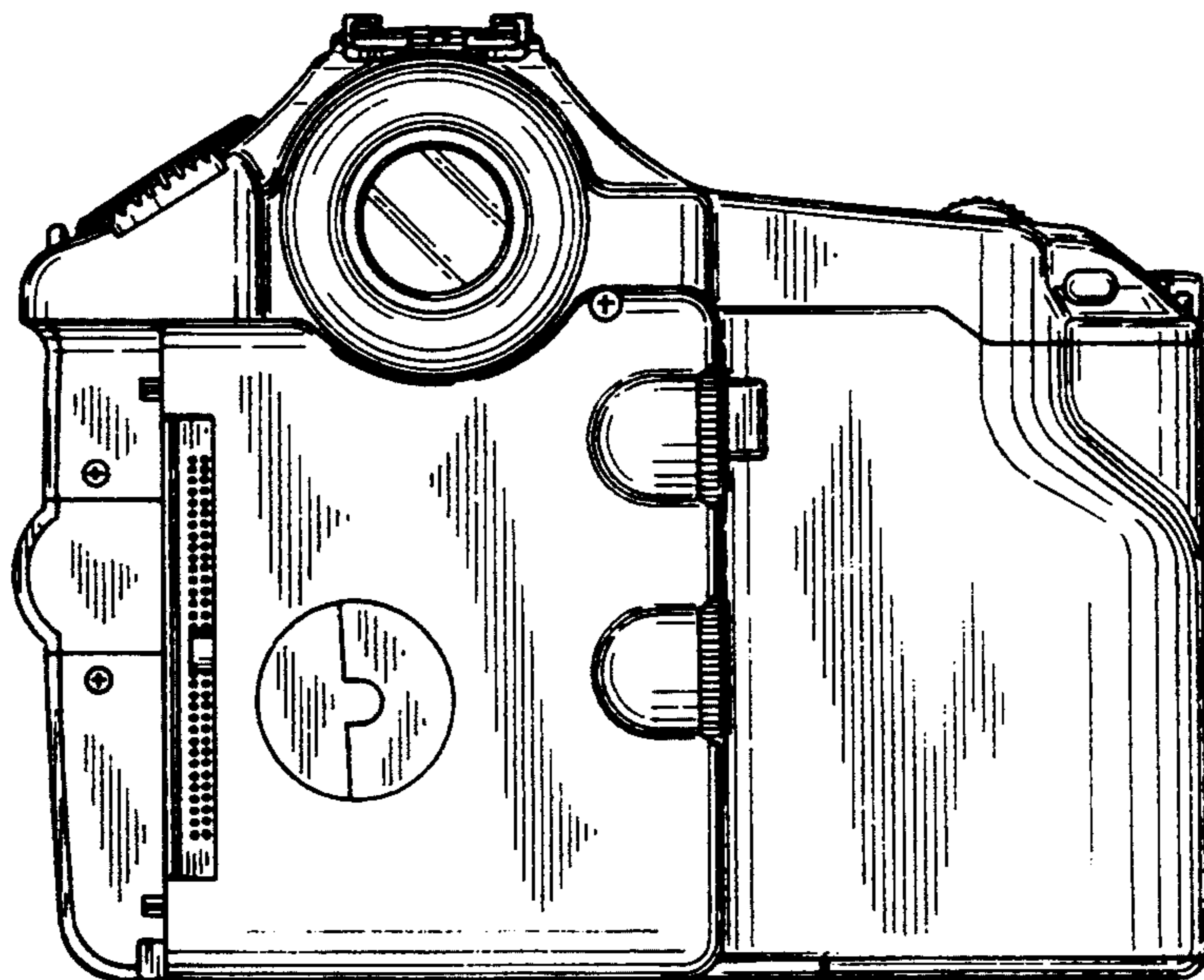


FIG. 3

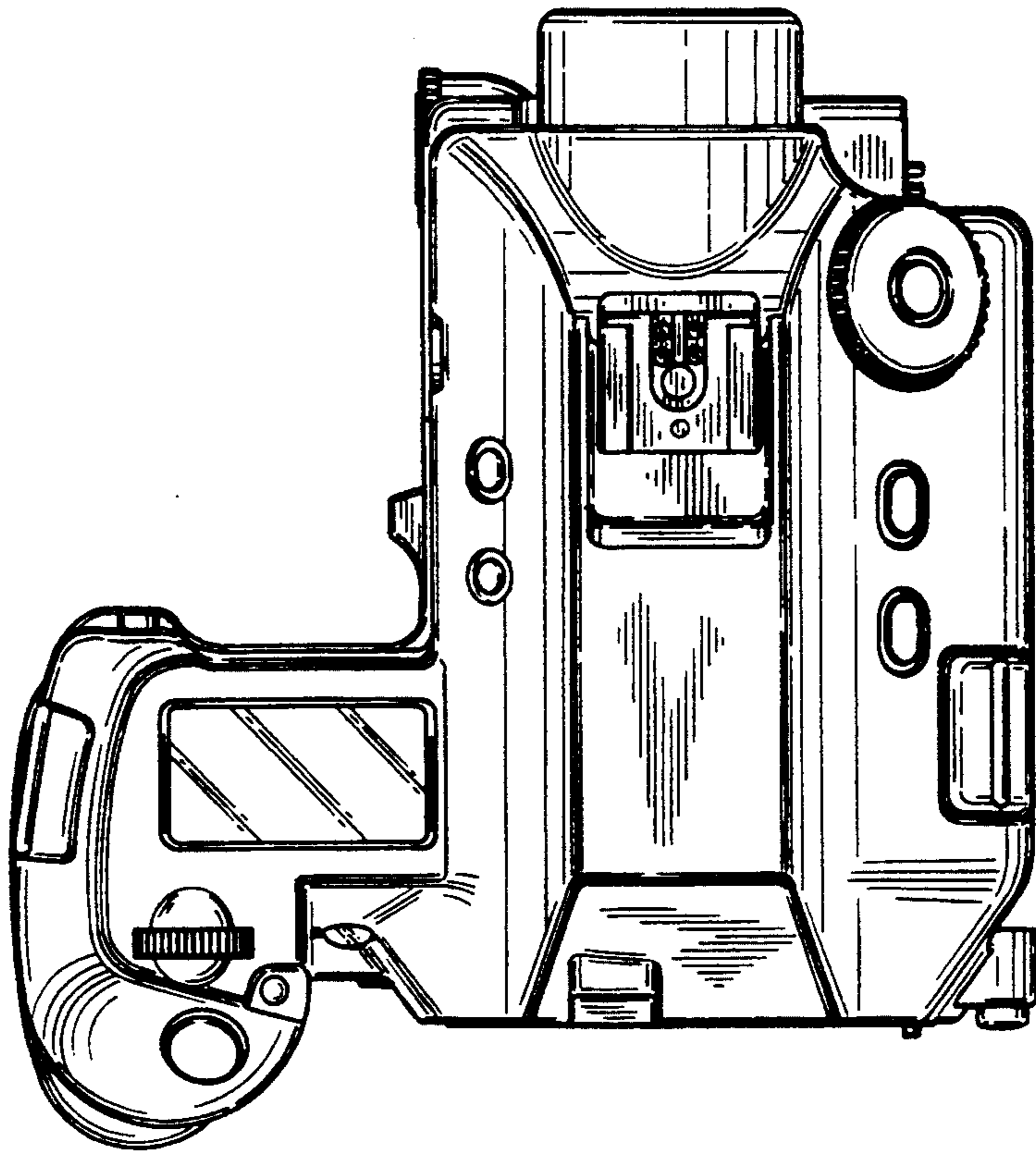


FIG. 4

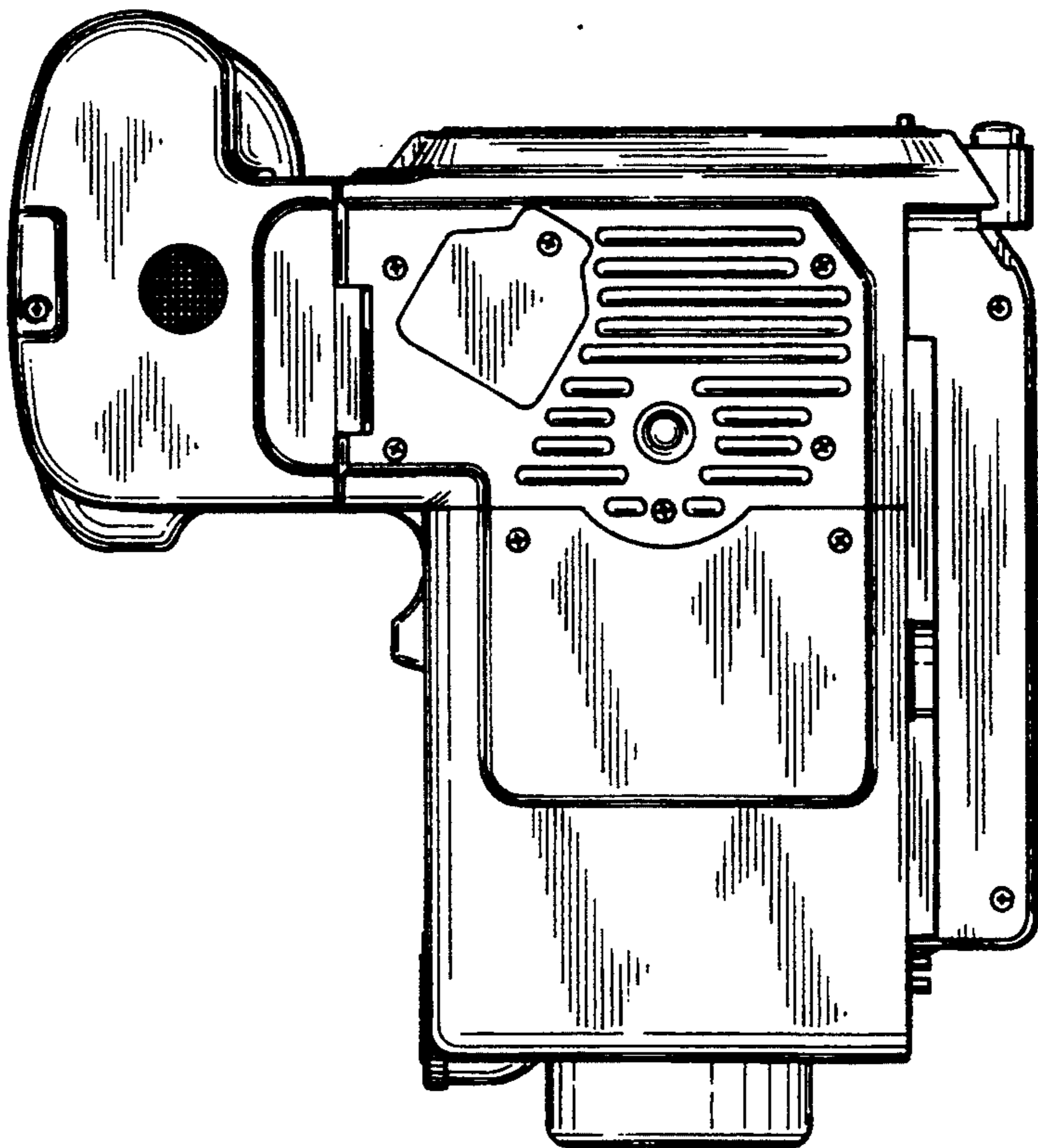


FIG. 5

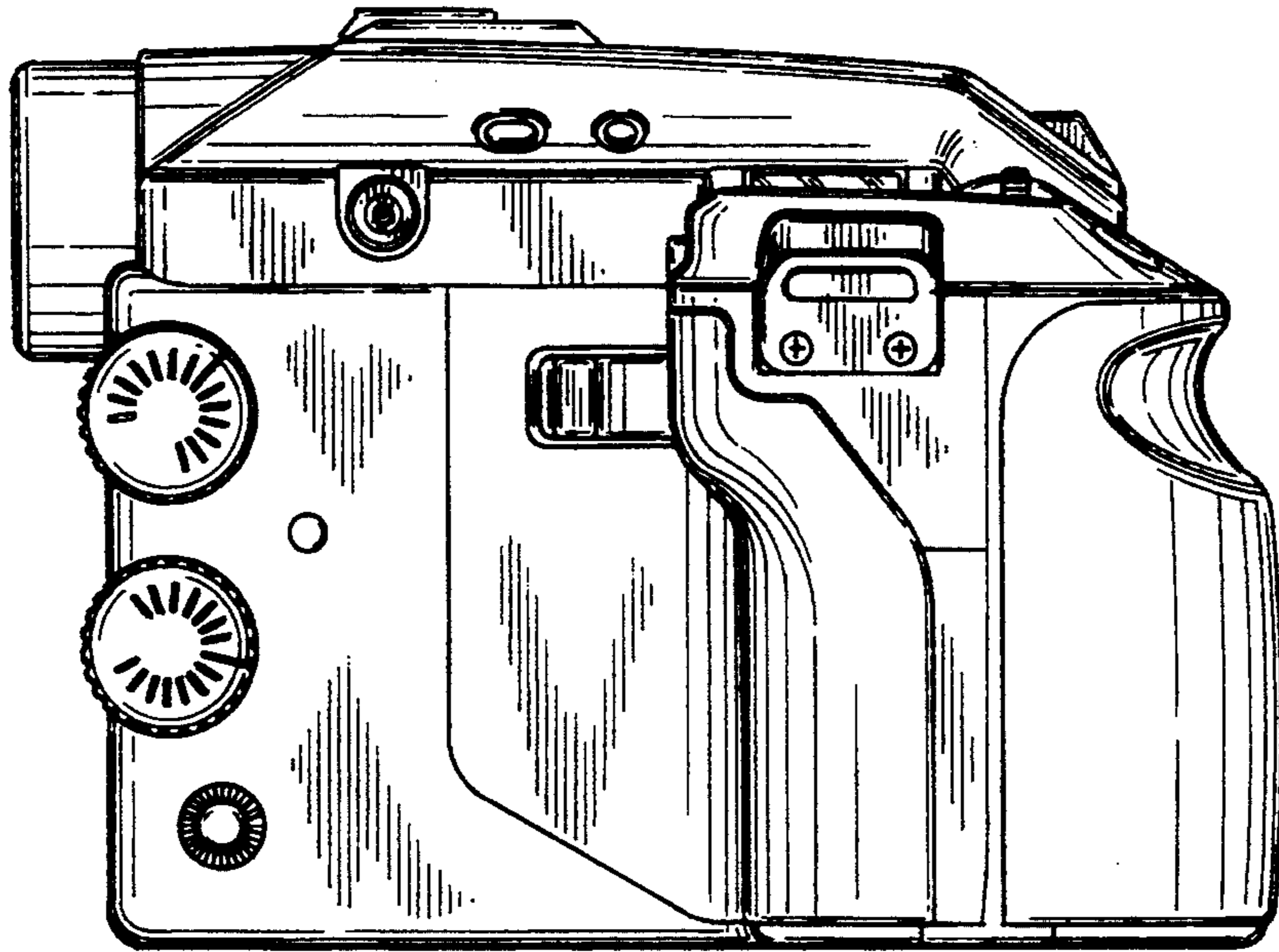


FIG. 6

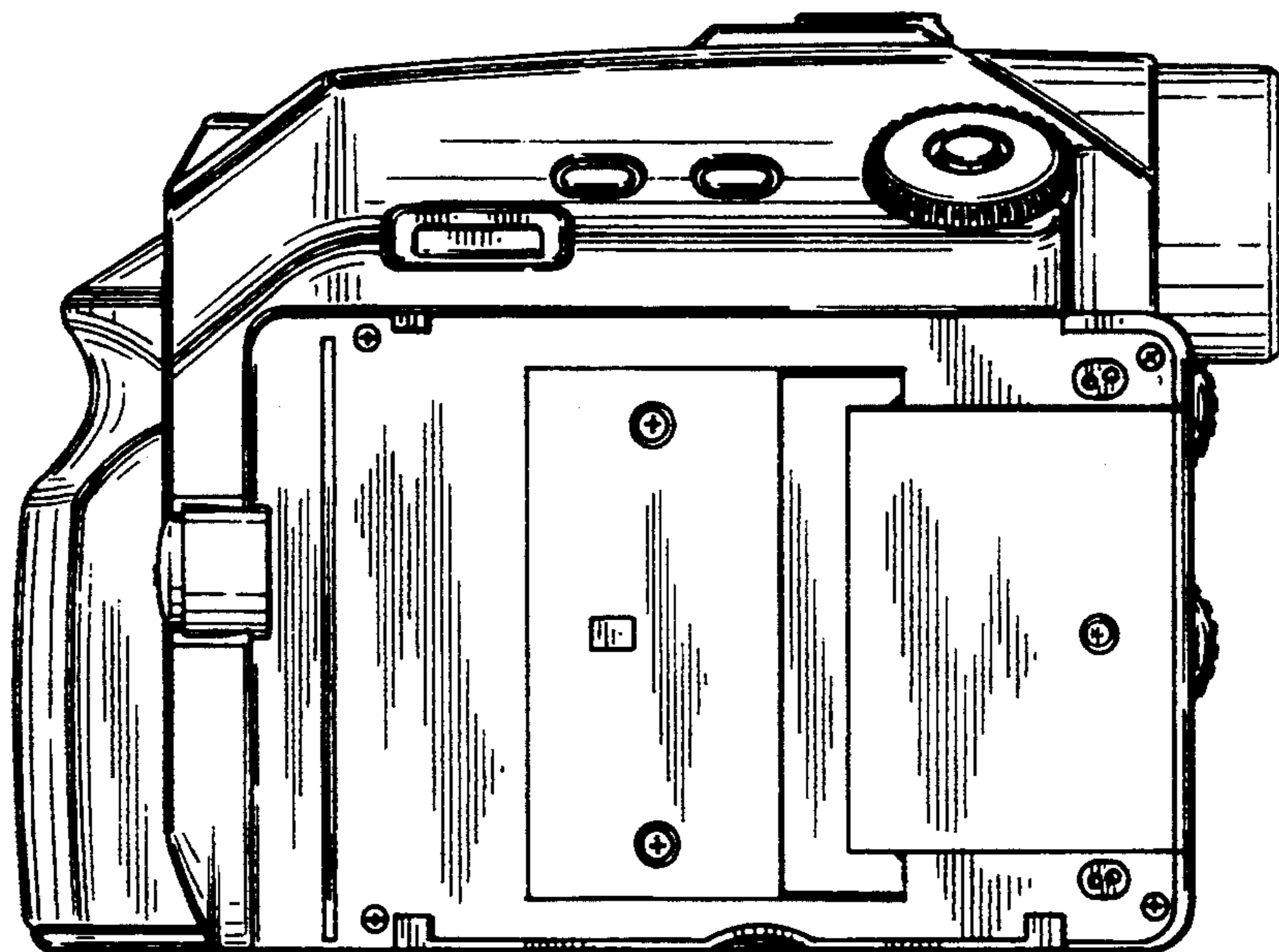


FIG. 7

