



US00D352516S

United States Patent [19]

[11] Patent Number: **Des. 352,516**

Newman et al.

[45] Date of Patent: **** Nov. 15, 1994**

[54] TRAY

[75] Inventors: **Edward F. Newman**, Douglasville;
John R. Popps, Auburn, both of Ga.

[73] Assignee: **Ciba-Geigy Corporation**, New York,
N.Y.

[**] Term: **14 Years**

[21] Appl. No.: **5,807**

[22] Filed: **Mar. 11, 1993**

[52] U.S. Cl. **D24/218; D7/550;**
D7/554

[58] Field of Search **D7/554, 357, 550, 552,**
D7/354, 355, 359, 363, 367, 545; D3/20;
206/564, 557, 5.1; 220/609, 671, 675; 134/901;
D28/8.1; D21/108; D16/124, 123; D24/218;
D32/24.1

[56] **References Cited**

U.S. PATENT DOCUMENTS

D. 25,044	1/1896	Bodine	D21/108
D. 96,552	8/1935	Houghton, Jr.	D11/143
D. 217,502	5/1970	Valerie	D7/550 X
D. 232,564	8/1974	Kissin	D7/545 X

D. 260,301	8/1981	O'Connor	D28/8.1
D. 284,405	6/1986	Srednicki	D24/218
D. 329,942	10/1992	Carr	D3/20
1,568,742	1/1926	Jung	D7/357 X
2,757,478	8/1956	Borland	206/557 X
3,255,607	6/1966	Bair et al.	206/557 X
4,691,820	9/1987	Martinez	206/5.1 X

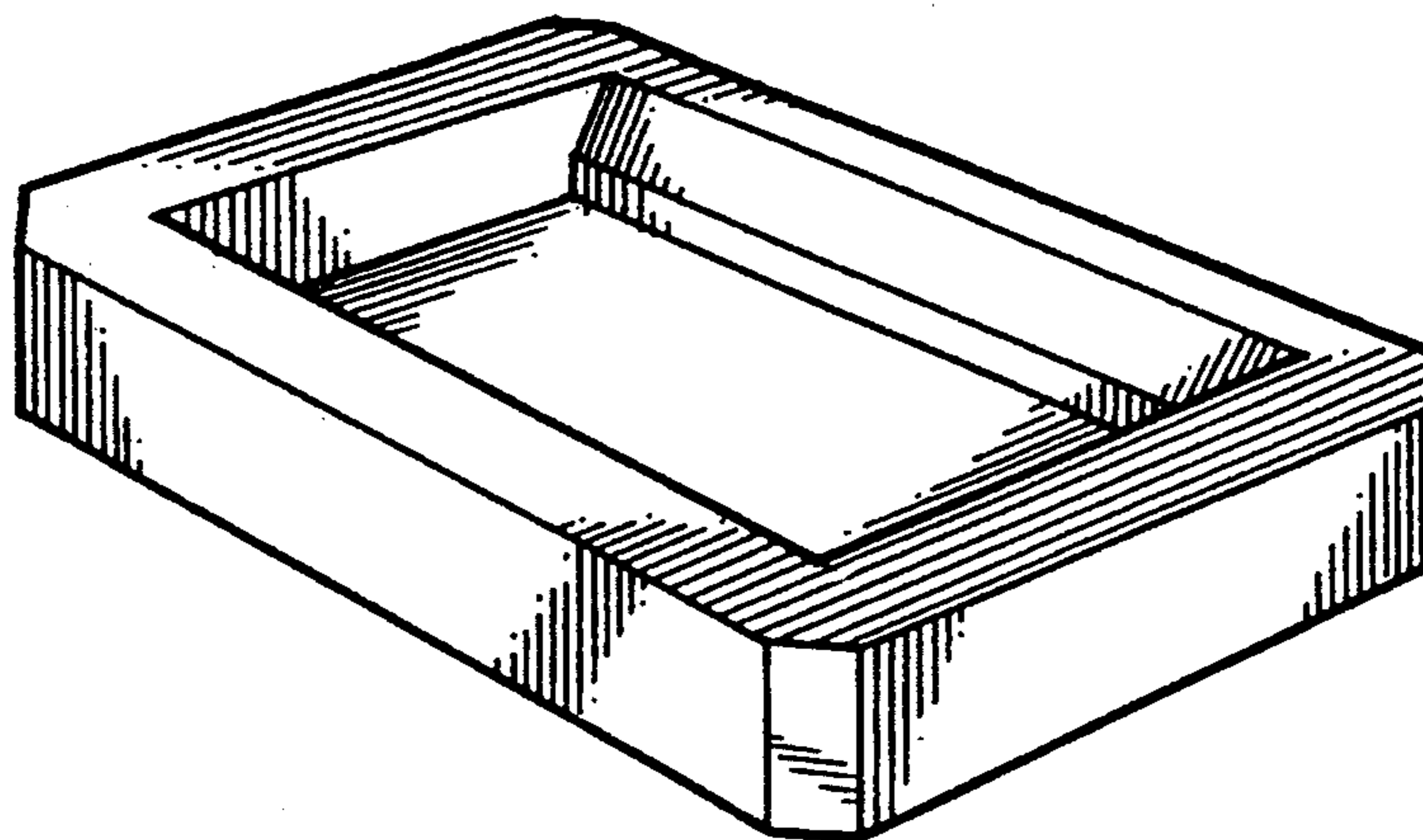
Primary Examiner—Alan P. Douglas
Assistant Examiner—M. N. Pandozzi
Attorney, Agent, or Firm—Edward McC. Roberts; R.
Scott Meece

[57] **CLAIM**

The ornamental design for a tray, as shown and described.

DESCRIPTION

FIG. 1 is a top perspective view of a tray of the present invention;
FIG. 2 is a top view of the tray of the present invention;
FIG. 3 is a bottom view of the tray of the present invention;
FIG. 4 is a front elevational view, the rear elevational view being a mirror image thereof; and,
FIG. 5 is a side elevational view of the tray of the present invention.



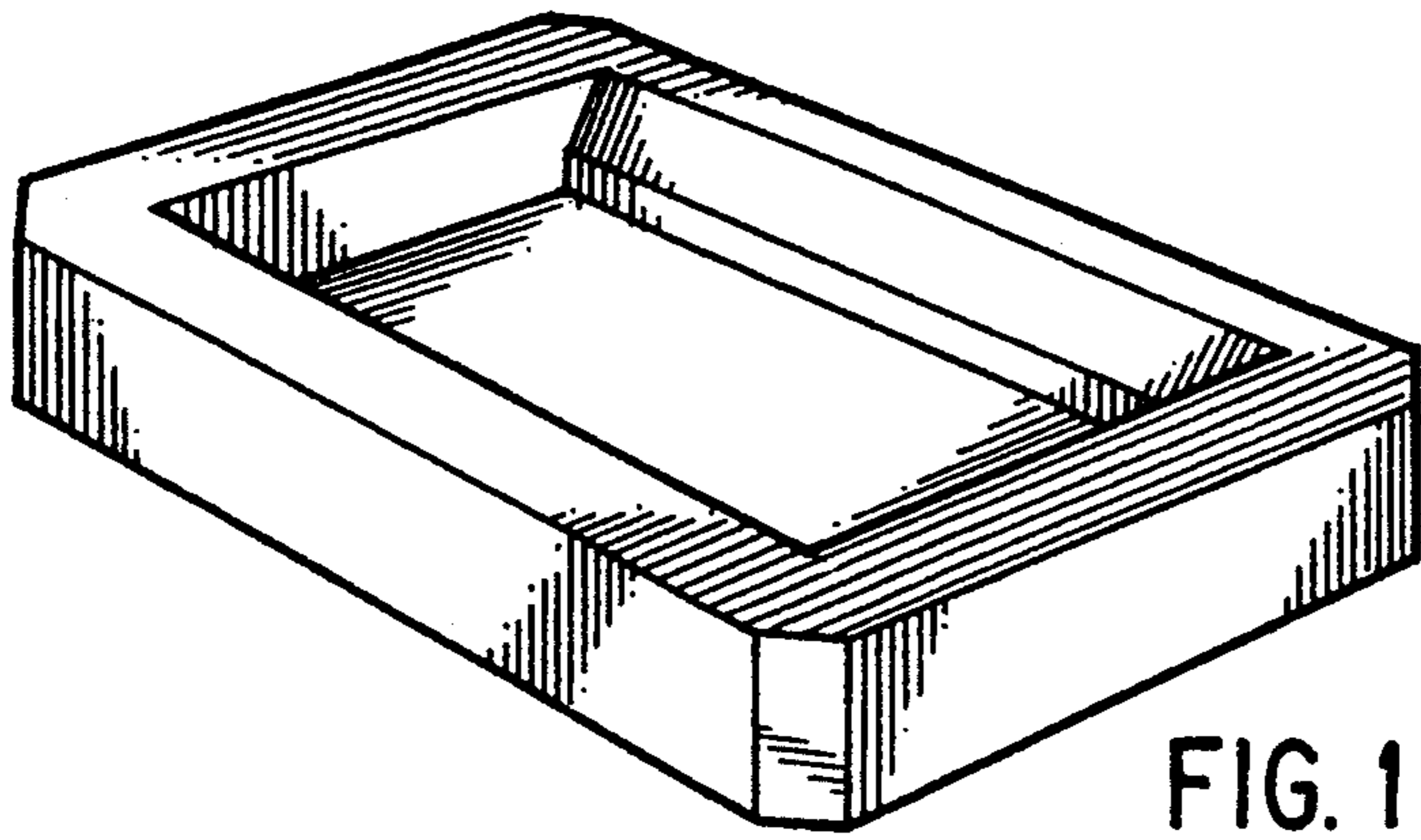


FIG. 1

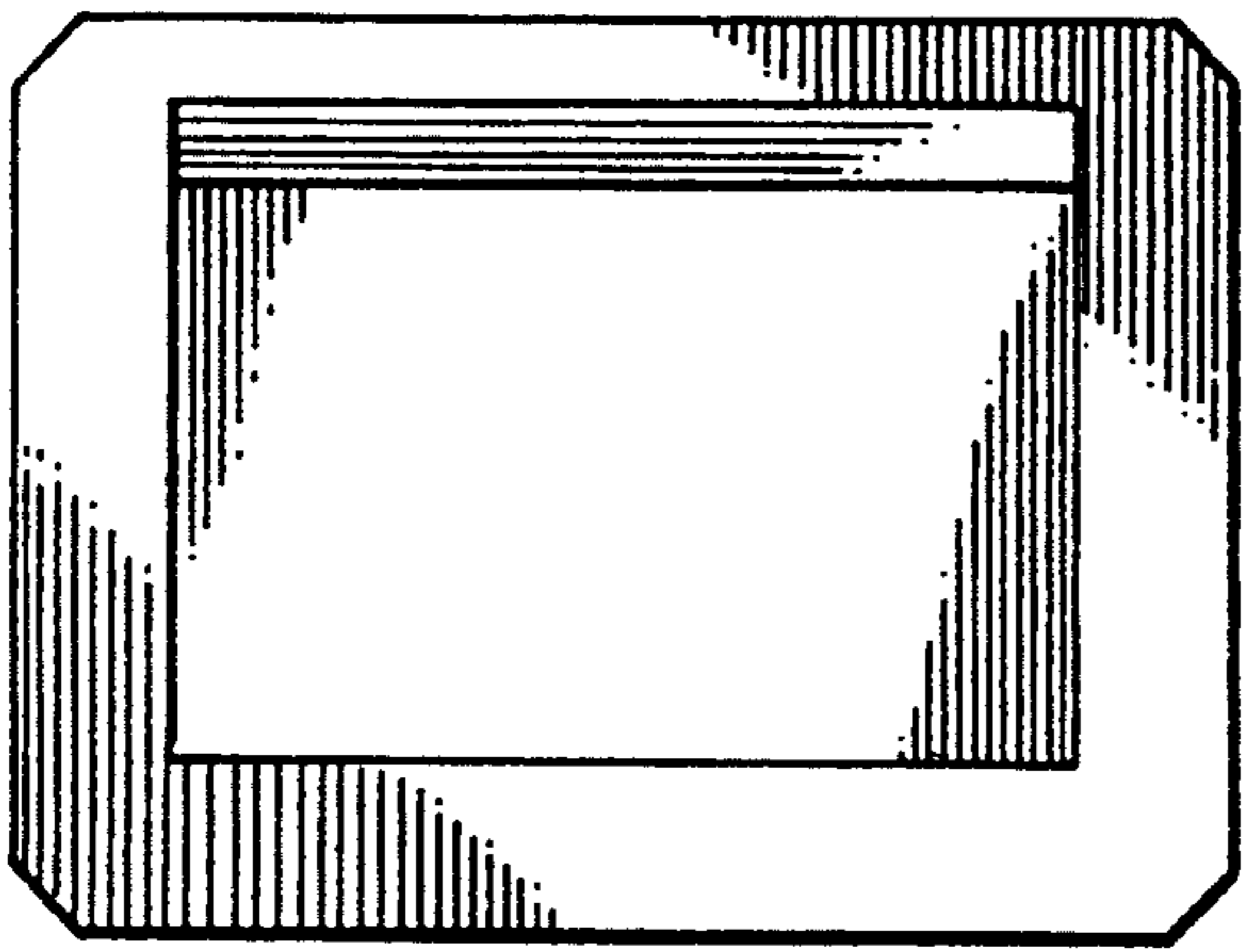


FIG. 2

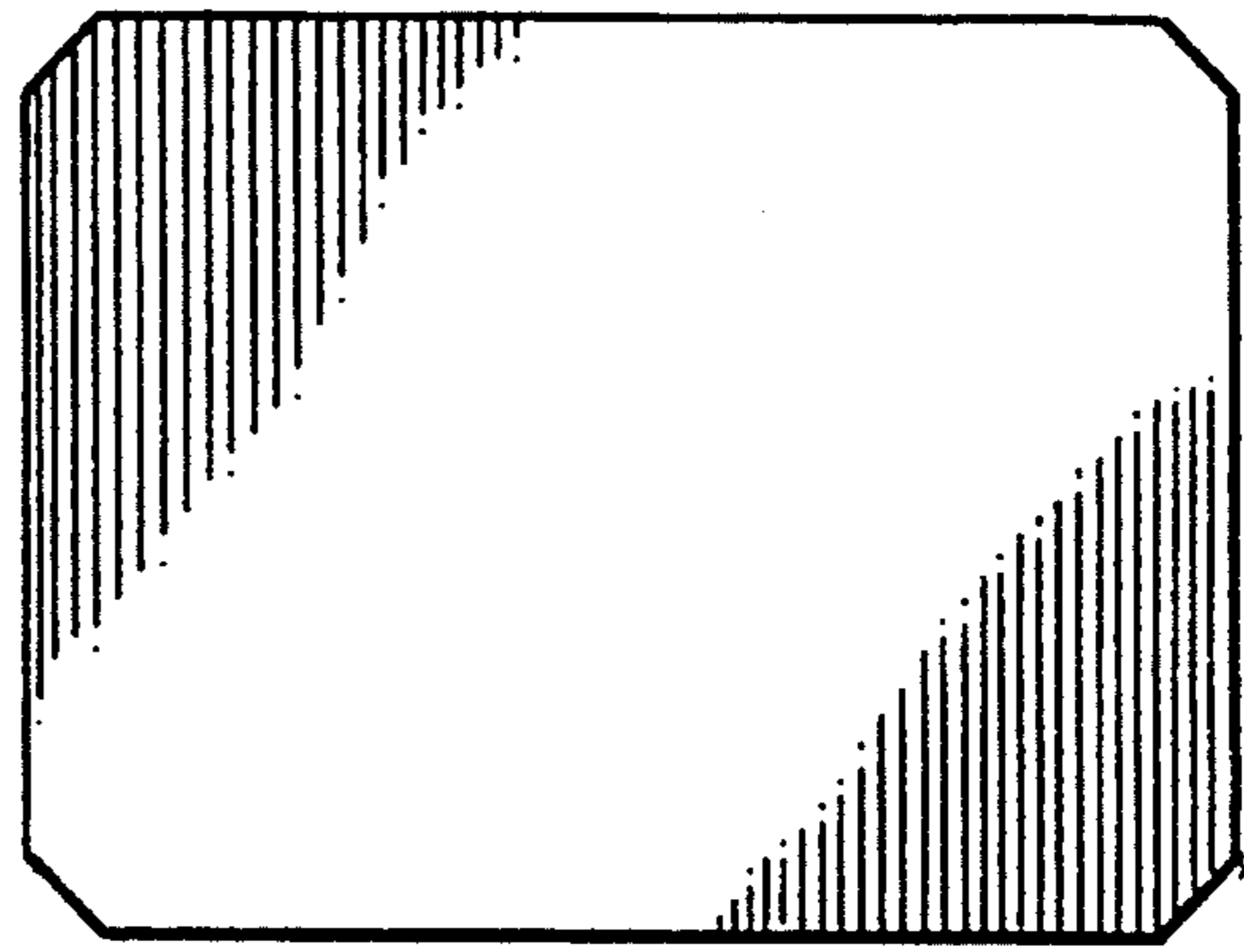


FIG. 3

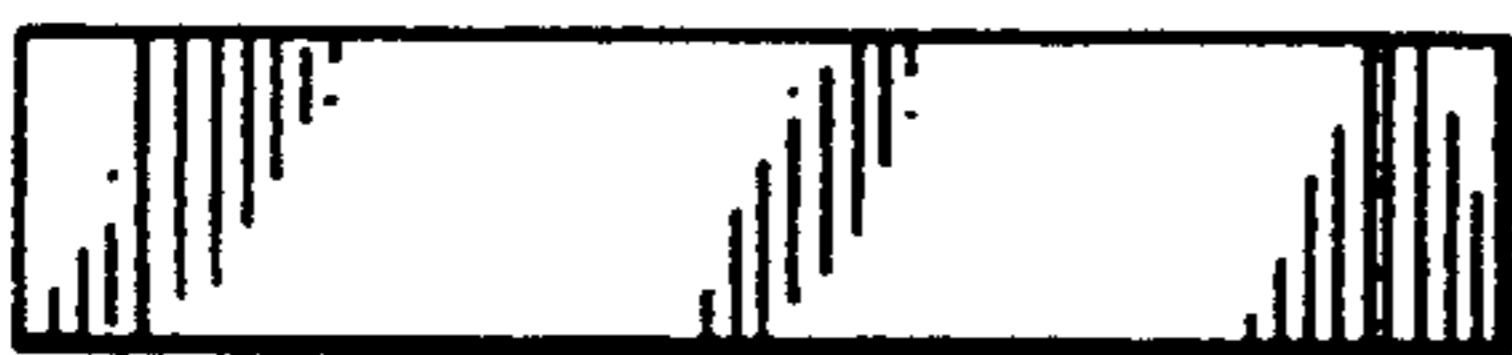


FIG. 4

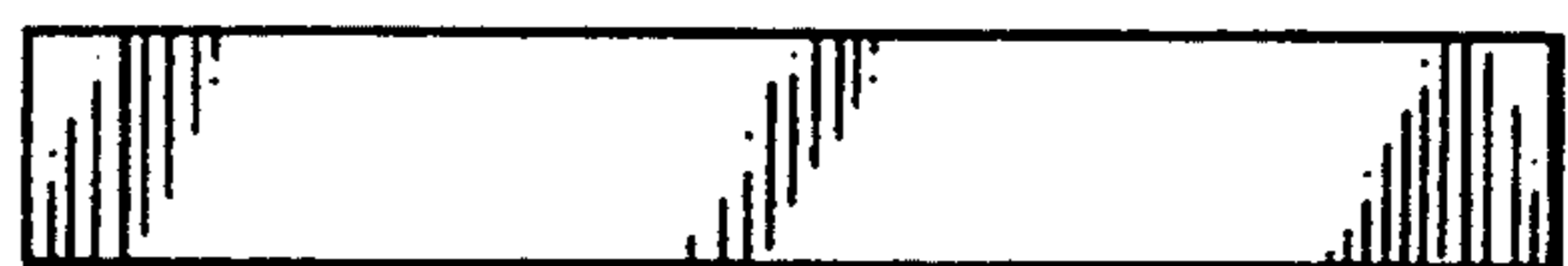


FIG. 5