



US00D352510S

# United States Patent [19]

[11] Patent Number: Des. 352,510

Sutton et al.

[45] Date of Patent: \*\* Nov. 15, 1994

[54] **CIRCLE CUTTING JIG**

[75] Inventors: **Stephen O. Sutton**, Wexford; **David N. Hollinger**, Glenshaw, both of Pa.

[73] Assignee: **Delta International Machinery Corp.**, Pittsburgh, Pa.

[\*\*] Term: **14 Years**

[21] Appl. No.: **12,333**

[22] Filed: **Sep. 2, 1993**

[52] U.S. Cl. .... **D15/138; D15/141**

[58] Field of Search ..... 30/372, 310, 376, 3, 30/88; 74/89.15; 83/439, 477.2, 490, 835; 144/24; 148/196, 901; D15/138, 141

[56] **References Cited**

**U.S. PATENT DOCUMENTS**

4,383,870	5/1983	Creech .....	148/196
4,483,071	11/1984	Kolste .....	30/376
4,602,434	7/1986	Stradling .....	30/372

*Primary Examiner*—Alan P. Douglas  
*Assistant Examiner*—Antoine D. Davis  
*Attorney, Agent, or Firm*—Kirkpatrick & Lockhart

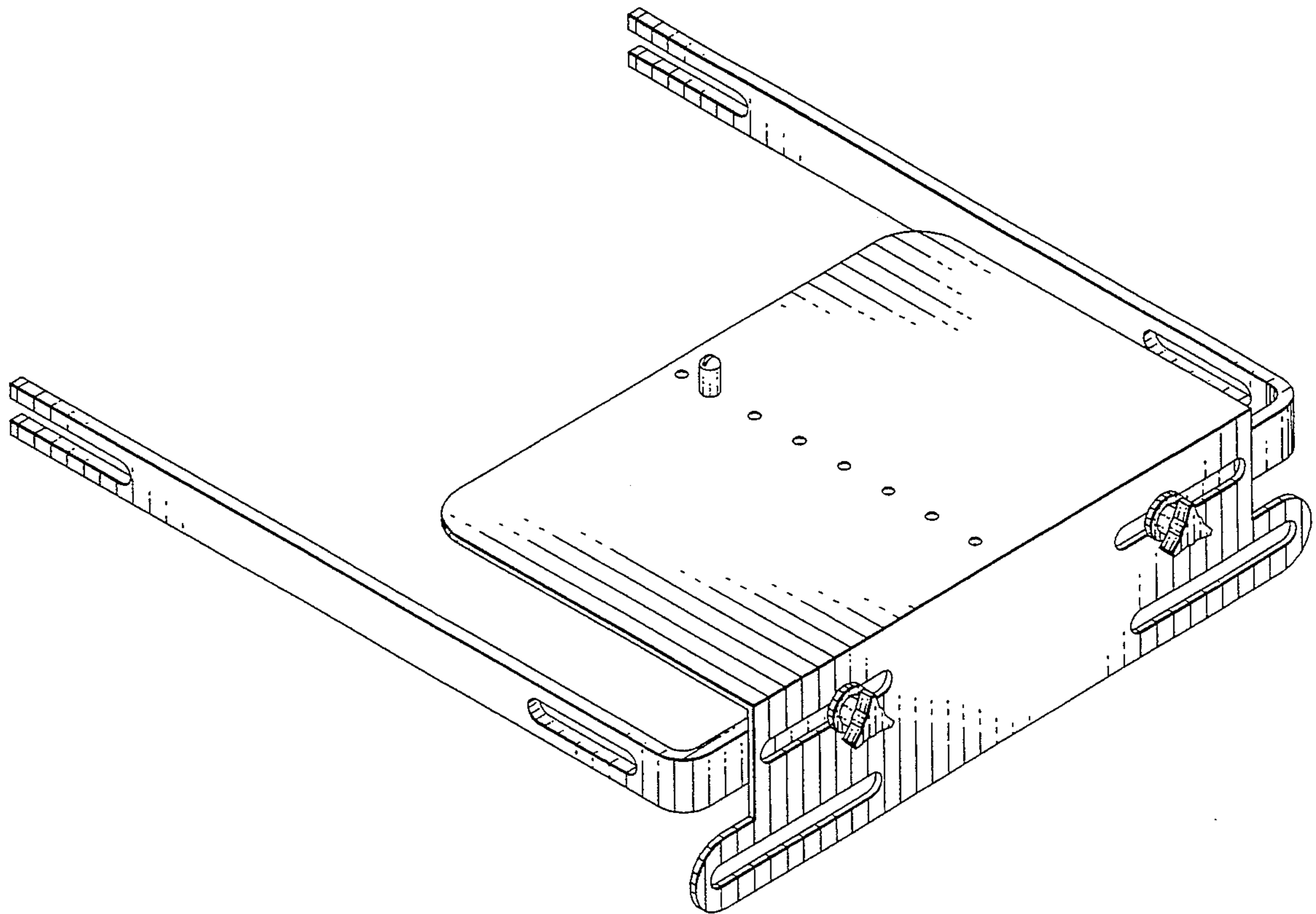
[57] **CLAIM**

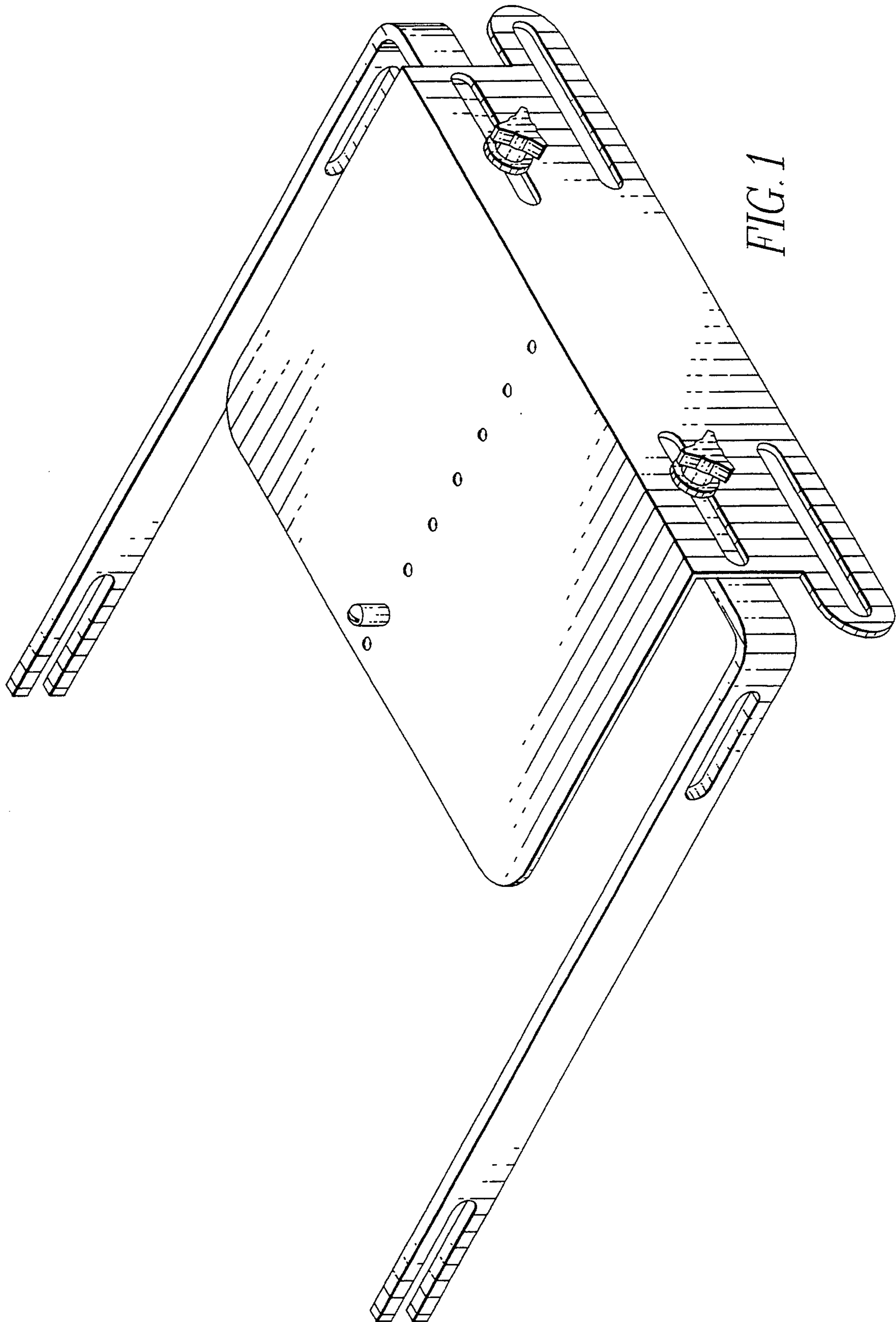
The ornamental design for a circle cutting jig, as shown and described.

**DESCRIPTION**

FIG. 1 is an isometric view of the circle cutting jig

constructed according to the present invention with the members thereof assembled in a first configuration; FIG. 2 is a front elevational view of the circle cutting jig illustrated in FIG. 1; FIG. 3 is a rear elevational view of the circle cutting jig illustrated in FIG. 1; FIG. 4 is a right side elevational view of the circle cutting jig illustrated in FIG. 1; FIG. 5 is a left side elevational view of the circle cutting jig illustrated in FIG. 1; FIG. 6 is a top view of the circle cutting jig illustrated in FIG. 1; FIG. 7 is a bottom view of the circle cutting jig illustrated in FIG. 1; FIG. 8 is an isometric view of the circle cutting jig constructed according to the present invention with the members thereof assembled in a second configuration; FIG. 9 is a front elevational view of the circle cutting jig illustrated in FIG. 8; FIG. 10 is a rear elevational view of the circle cutting jig illustrated in FIG. 8; FIG. 11 is a right side elevational view of the circle cutting jig illustrated in FIG. 8; FIG. 12 is a left side elevational view of the circle cutting jig illustrated in FIG. 8; FIG. 13 is a top view of the circle cutting jig illustrated in FIG. 8; and, FIG. 14 is a bottom view of the circle cutting jig illustrated in FIG. 8.





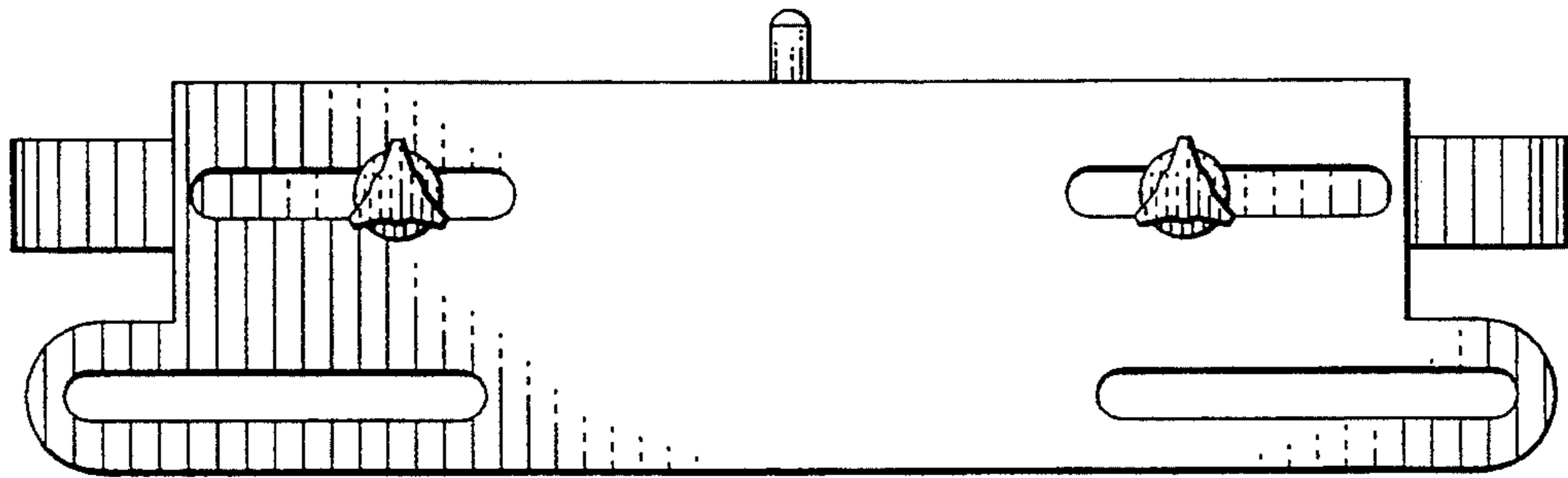


FIG. 2

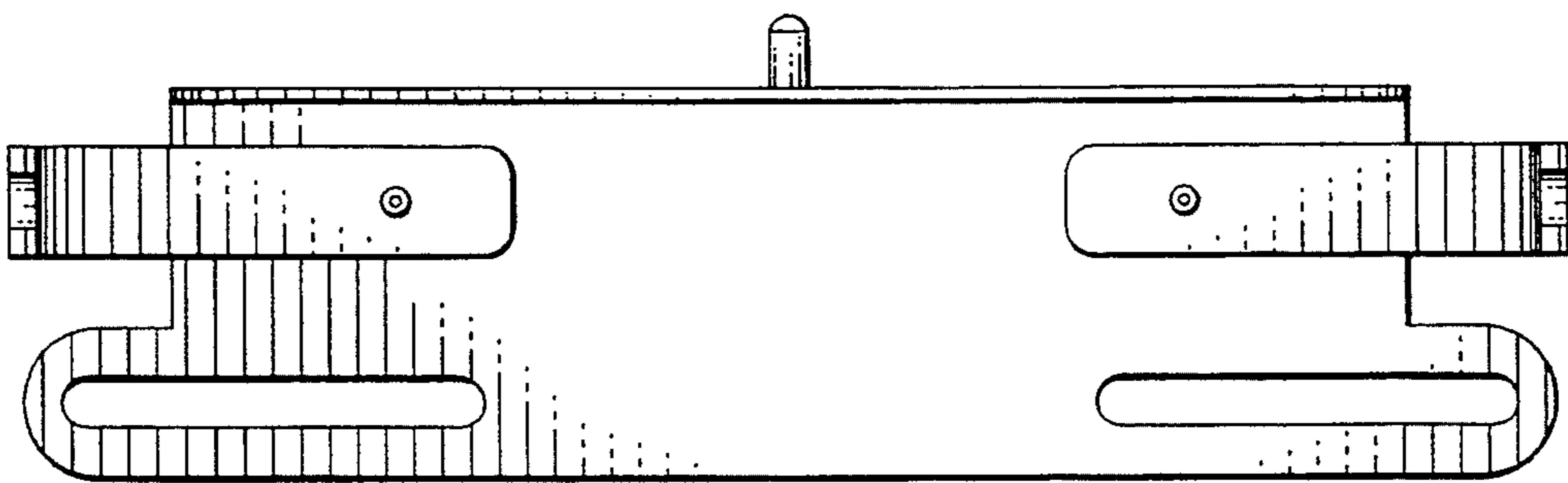


FIG. 3

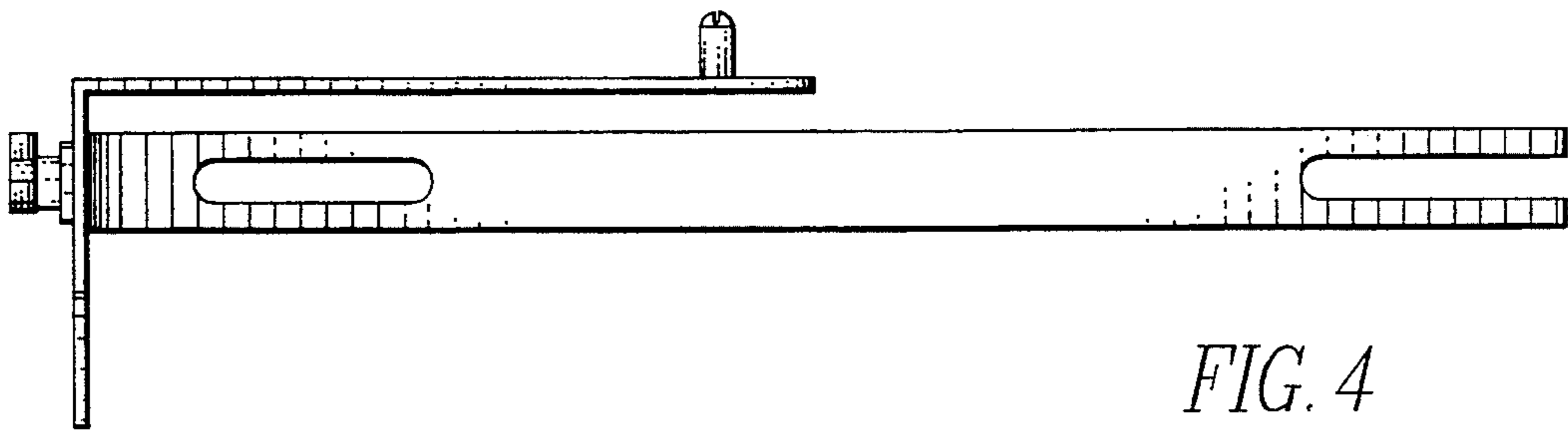


FIG. 4

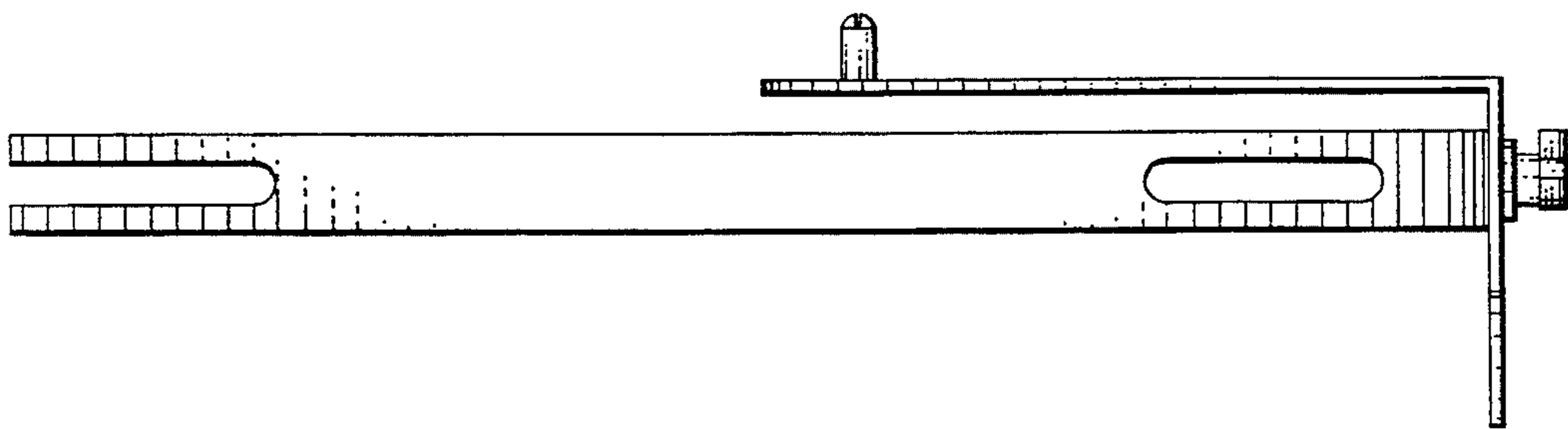


FIG. 5

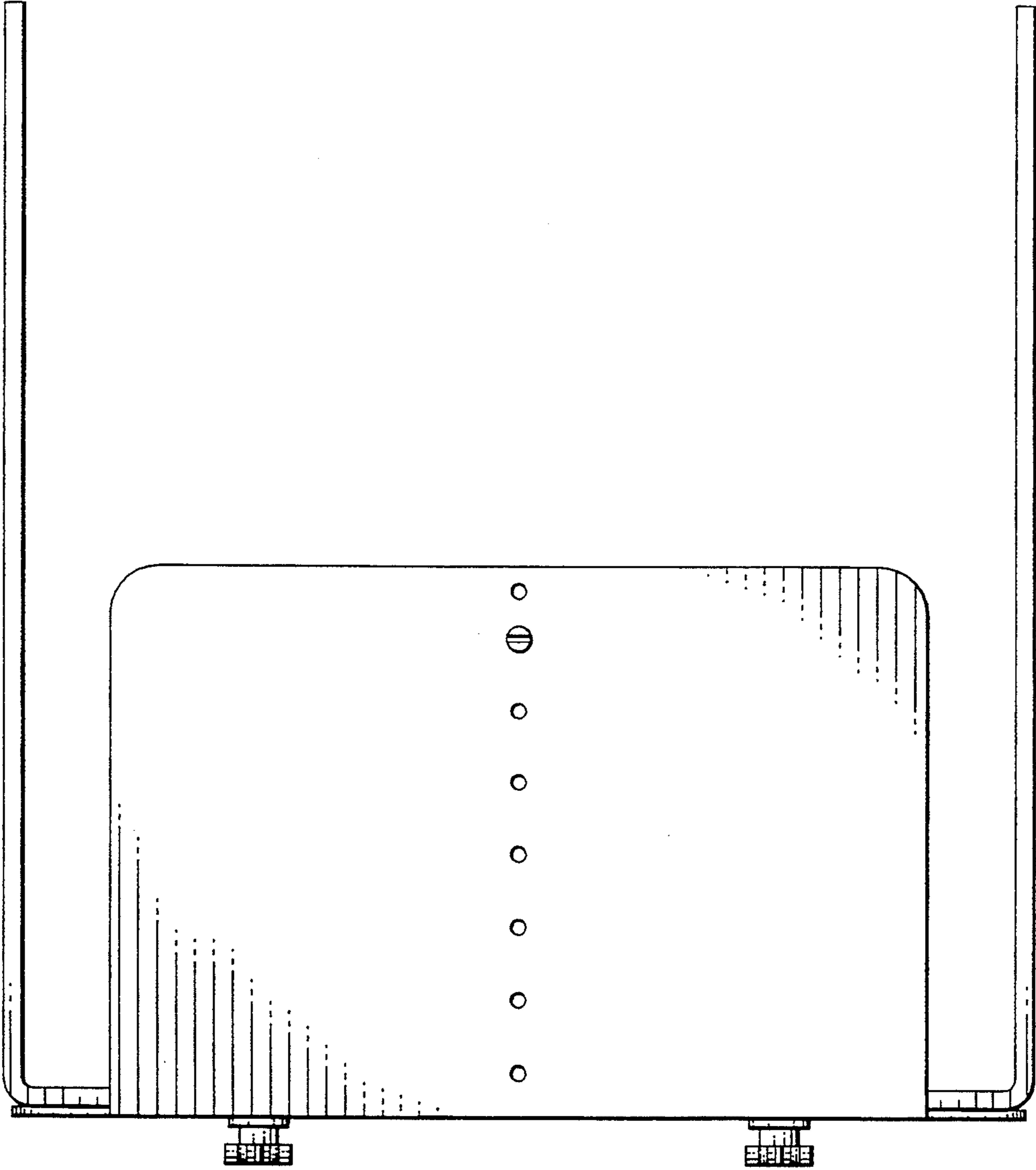


FIG. 6

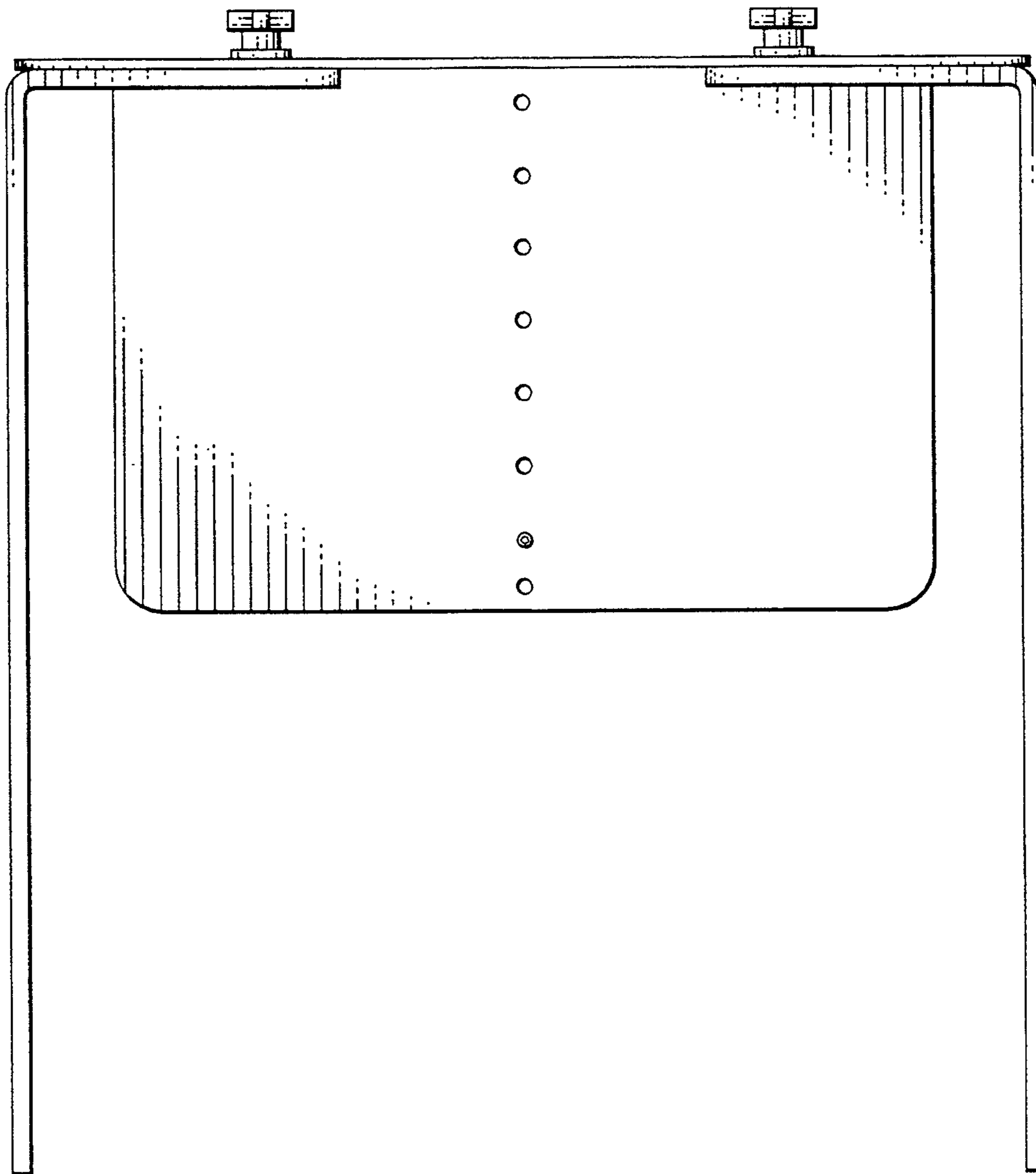


FIG. 7

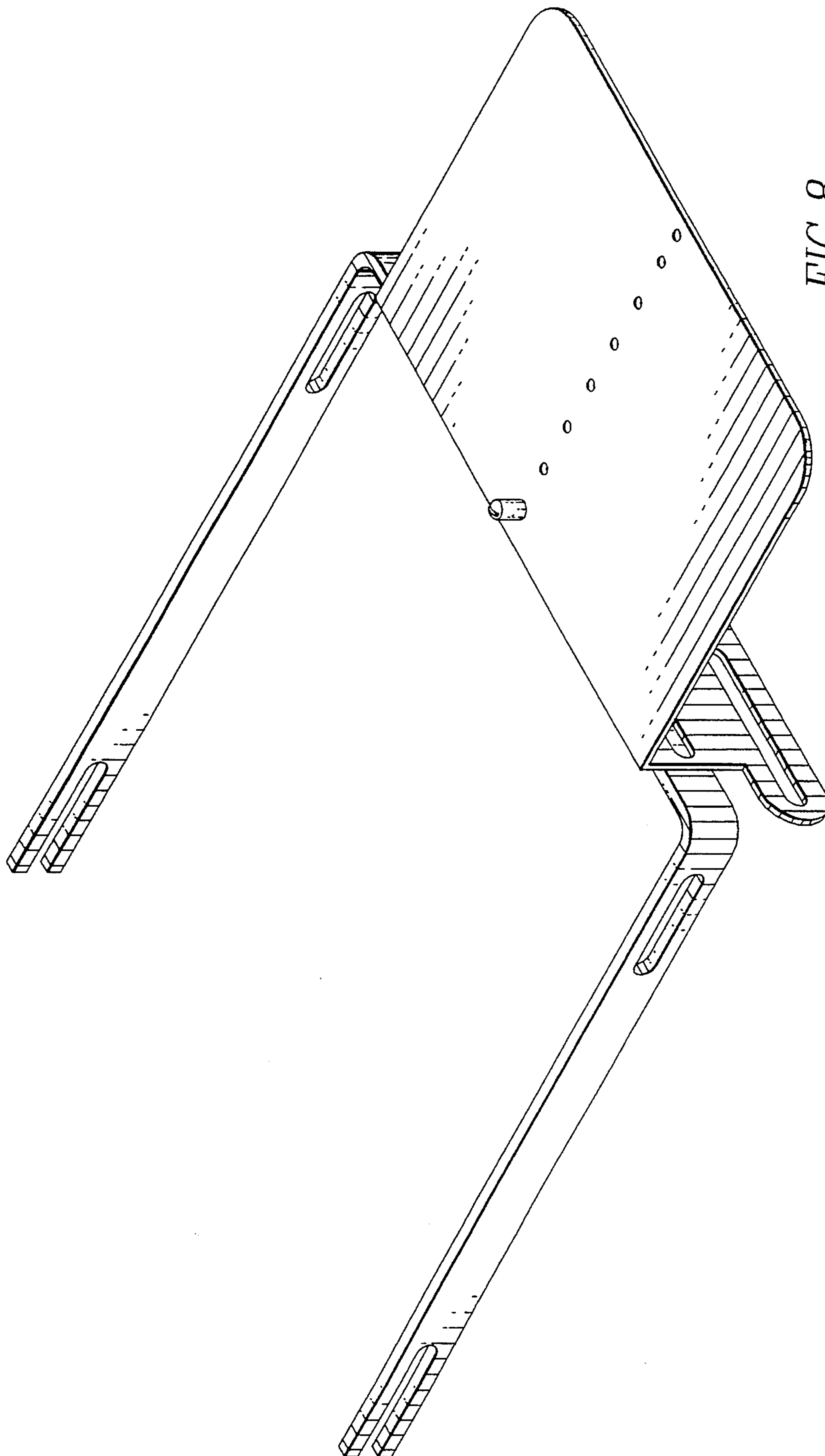


FIG. 8

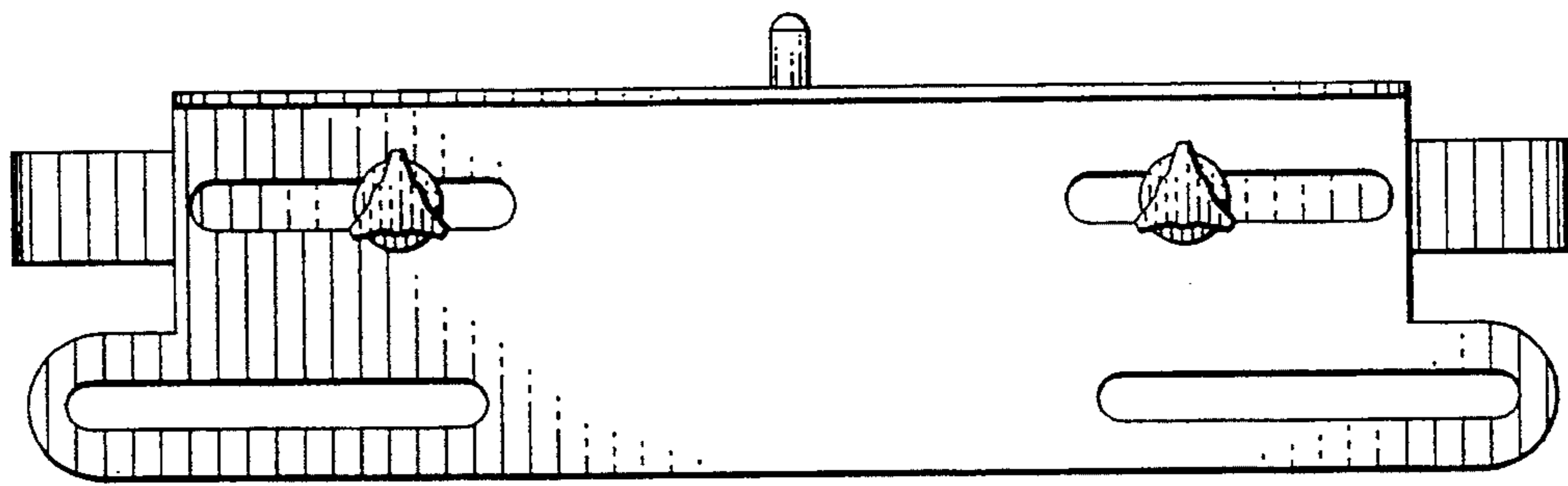


FIG. 9

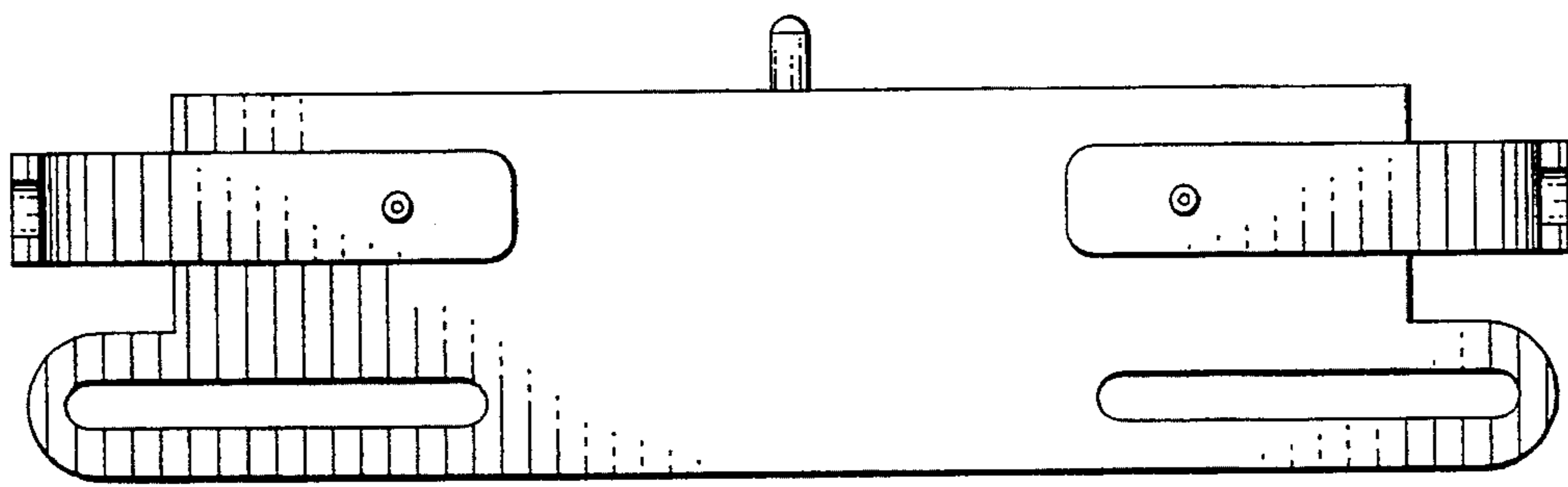


FIG. 10



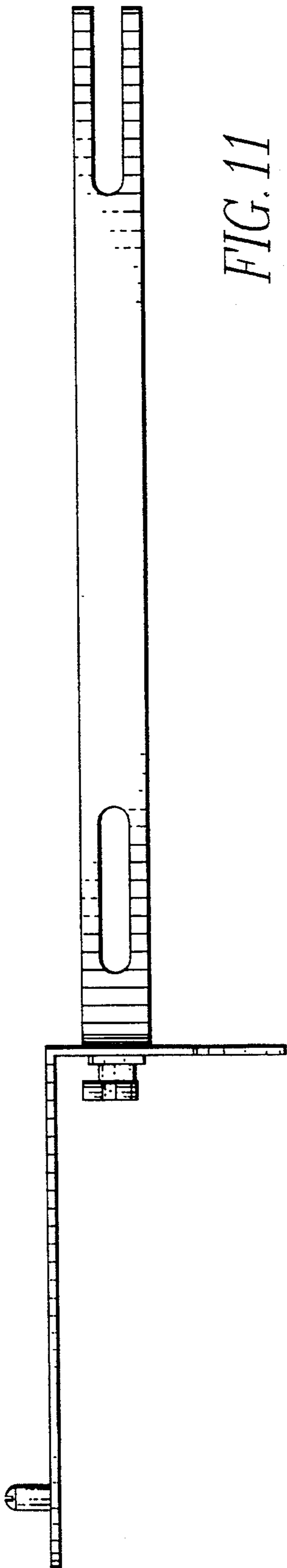


FIG. 11

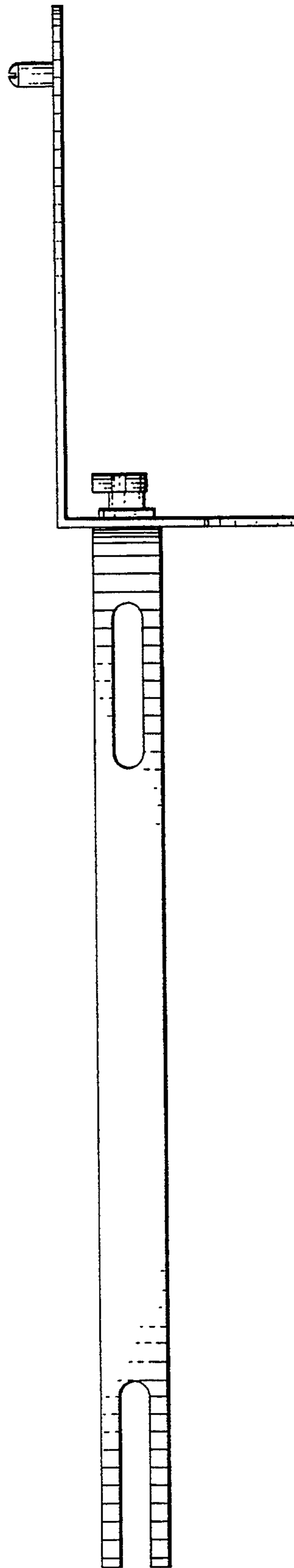


FIG. 12

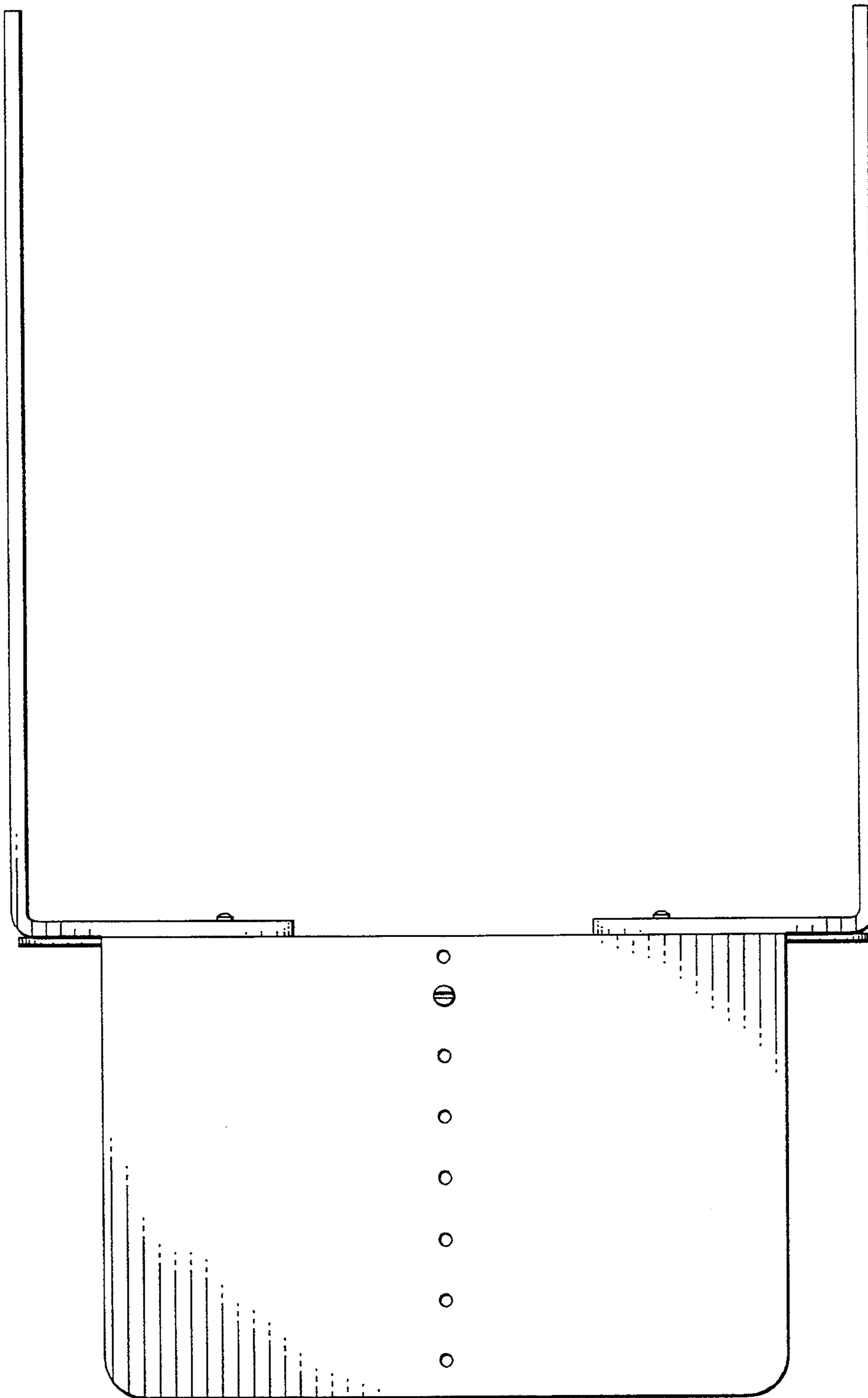


FIG. 13

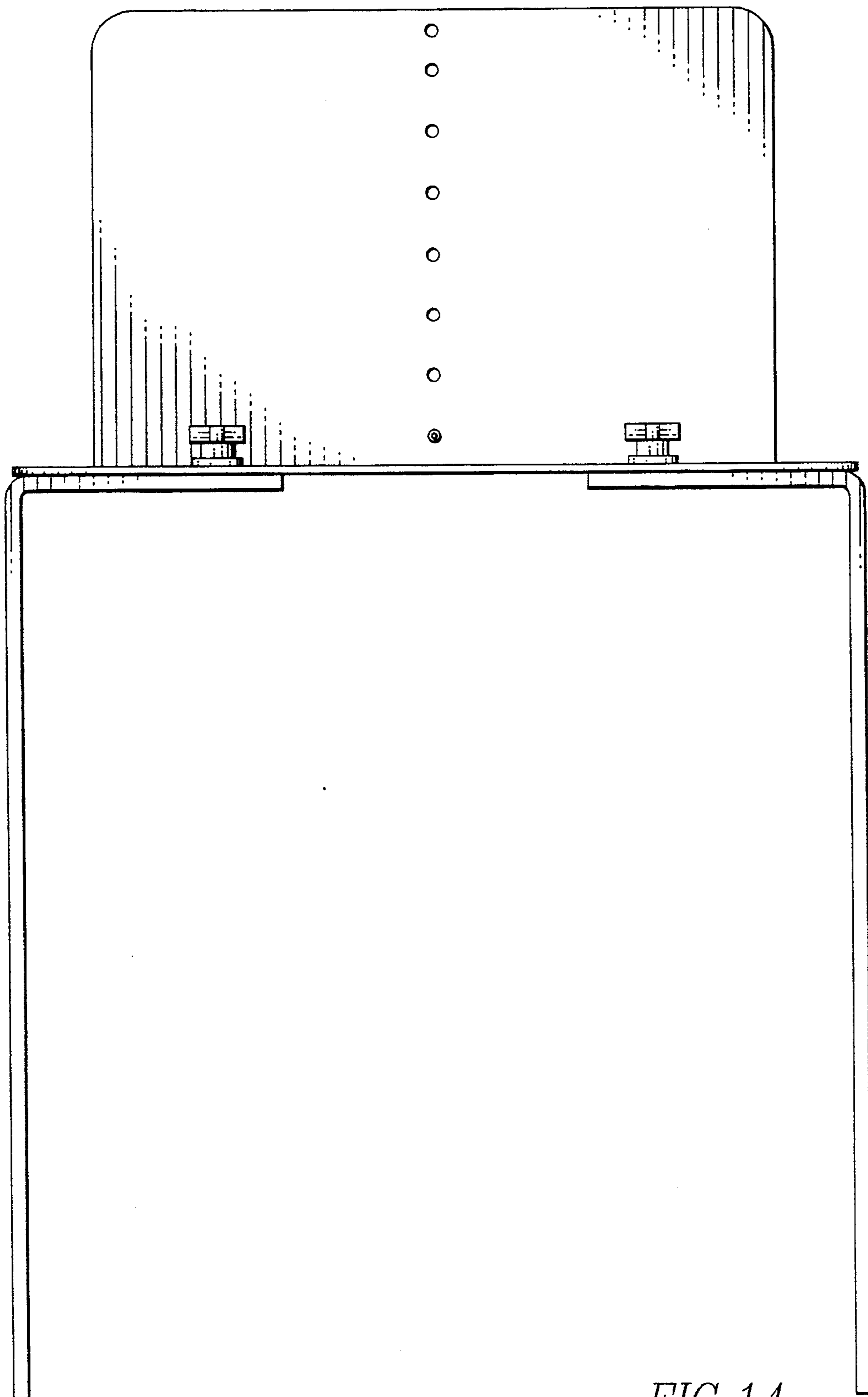


FIG. 14