



US00D352509S

United States Patent [19]

[11] Patent Number: **Des. 352,509**

Kriaski et al.

[45] Date of Patent: **** Nov. 15, 1994**

[54] MITER SAW

[75] Inventors: **John R. Kriaski, Jackson; Randy G. Cooper, Milan; James P. Nichols, Jr.; Donald R. Bosten, both of Jackson, all of Tenn.**

[73] Assignee: **Porter-Cable Corporation, Jackson, Tenn.**

[**] Term: **14 Years**

[21] Appl. No.: **8,015**

[22] Filed: **May 6, 1993**

[52] U.S. Cl. **D15/133**

[58] Field of Search **83/471.1, 471.3, 477, 83/581; D15/133**

| | | | |
|-----------|---------|----------------------|-----------|
| 4,384,502 | 5/1983 | Dover . | |
| 4,402,241 | 9/1983 | Moore, Jr. . | |
| 4,452,117 | 6/1984 | Brickner et al. . | |
| 4,489,633 | 12/1984 | van de Wouw . | |
| 4,527,453 | 7/1985 | van Hauten . | |
| 4,537,105 | 8/1985 | Bergler . | |
| 4,559,857 | 12/1985 | Grossmann et al. . | |
| 4,581,966 | 4/1986 | Kaiser et al. . | |
| 4,638,700 | 1/1987 | Fushiya et al. . | |
| 4,774,866 | 10/1988 | Dehari et al. . | |
| 4,799,416 | 1/1989 | Kumasaka et al. . | |
| 4,805,504 | 2/1989 | Fushiya et al. . | |
| 4,869,142 | 9/1989 | Sato et al. . | |
| 4,934,233 | 6/1990 | Brundage et al. . | |
| 5,020,406 | 6/1991 | Sasaki et al. . | |
| 5,042,348 | 8/1991 | Brundage et al. . | |
| 5,046,390 | 9/1991 | Sasaki . | |
| 5,054,352 | 10/1991 | Fushiya et al. . | |
| 5,060,548 | 10/1991 | Sato et al. . | |
| 5,129,300 | 7/1992 | Kawakami et al. | D15/133 X |
| 5,207,141 | 5/1993 | Dehari | D15/133 X |

[56] **References Cited**

U.S. PATENT DOCUMENTS

| | | | |
|------------|---------|------------------------|---------|
| D. 282,346 | 1/1986 | Pioch . | |
| D. 287,694 | 1/1987 | Miyamoto . | |
| D. 295,823 | 5/1988 | Brickner, Jr. et al. . | |
| D. 305,542 | 1/1990 | Miyamoto et al. . | |
| D. 306,031 | 2/1990 | Ushiwata et al. . | |
| D. 317,110 | 5/1991 | Arehart . | |
| D. 324,055 | 2/1992 | Sakai et al. | D15/133 |
| D. 334,576 | 4/1993 | Kawakami et al. | D15/133 |
| 3,570,564 | 3/1971 | Bergler . | |
| 3,574,315 | 4/1971 | Boultinghouse . | |
| 3,821,918 | 7/1974 | Niehaus et al. . | |
| 3,994,192 | 11/1976 | Faig . | |
| 3,998,121 | 12/1976 | Bennett . | |
| 4,002,094 | 1/1977 | Erickson et al. . | |
| 4,011,782 | 3/1977 | Clark et al. . | |
| 4,028,975 | 6/1977 | Bennett . | |
| 4,152,961 | 5/1979 | Batson . | |
| 4,245,533 | 1/1981 | Batson . | |
| 4,265,154 | 5/1981 | Batson . | |
| 4,283,977 | 8/1981 | Batson . | |
| 4,343,213 | 8/1982 | Drixler . | |

Primary Examiner—Alan P. Douglas
Assistant Examiner—Antoine D. Davis
Attorney, Agent, or Firm—Merchant, Gould, Smith, Edell, Welter & Schmidt

[57] **CLAIM**

The ornamental design for a miter saw, as shown herein.

DESCRIPTION

FIG. 1 is a top, front and left side perspective of a miter saw showing our new design; FIG. 2 is a front elevational view thereof; FIG. 3 is a rear elevational view thereof; FIG. 4 is a right side elevational view thereof; FIG. 5 is a left side elevational view thereof; and, FIG. 6 is a top plan view thereof. The bottom view is substantially devoid of ornamental design.

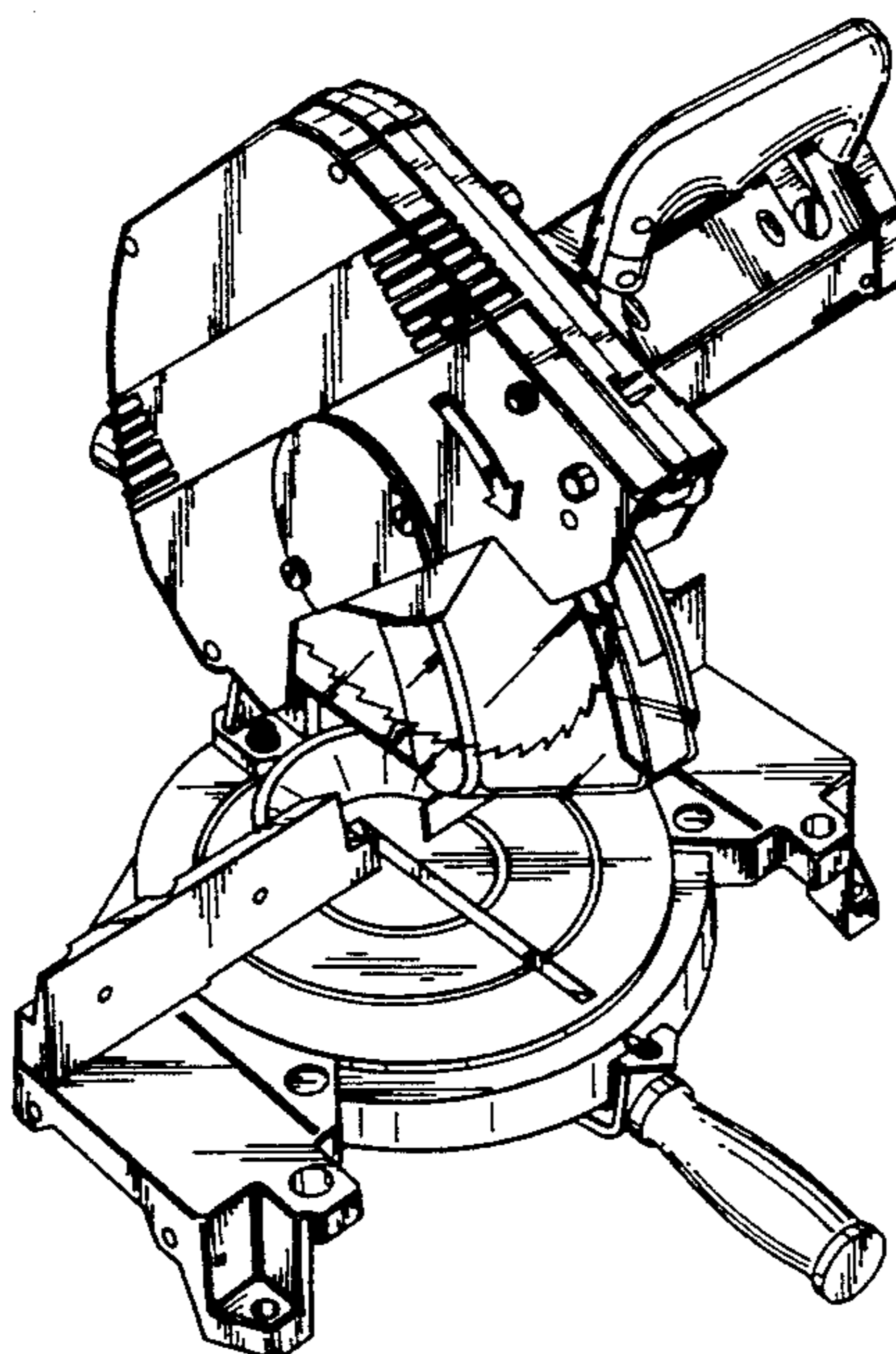


FIG. 1

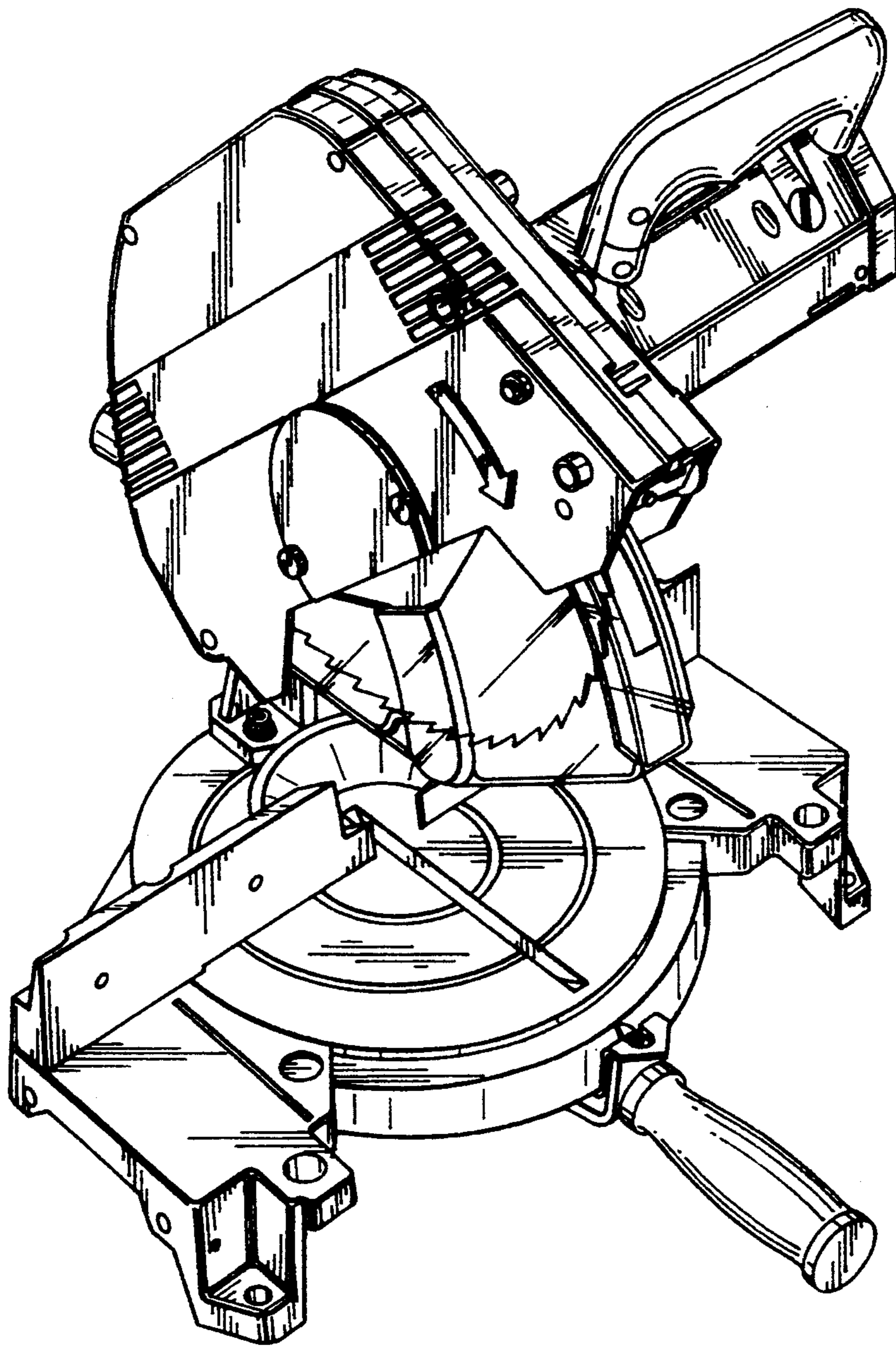


FIG. 2

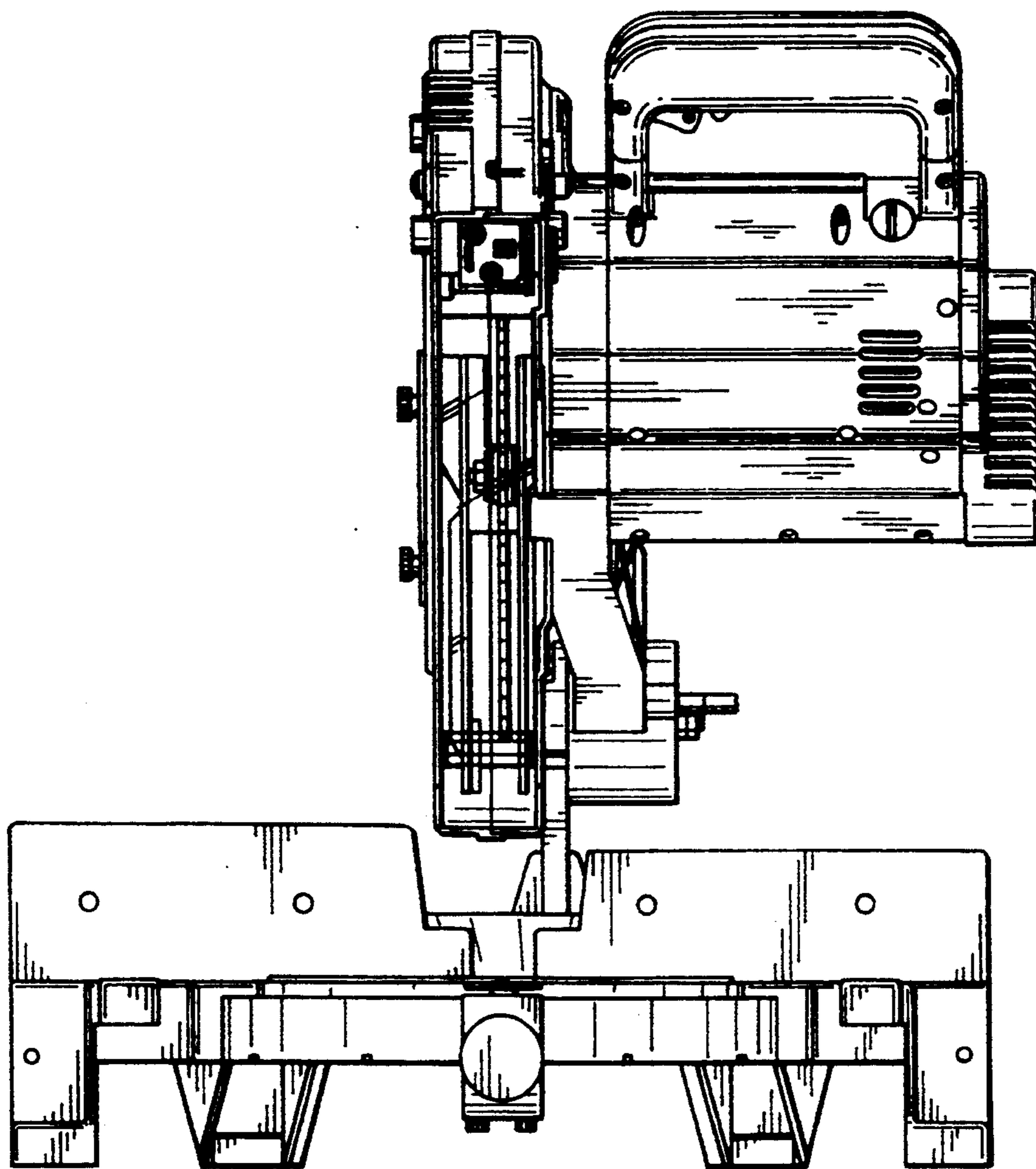
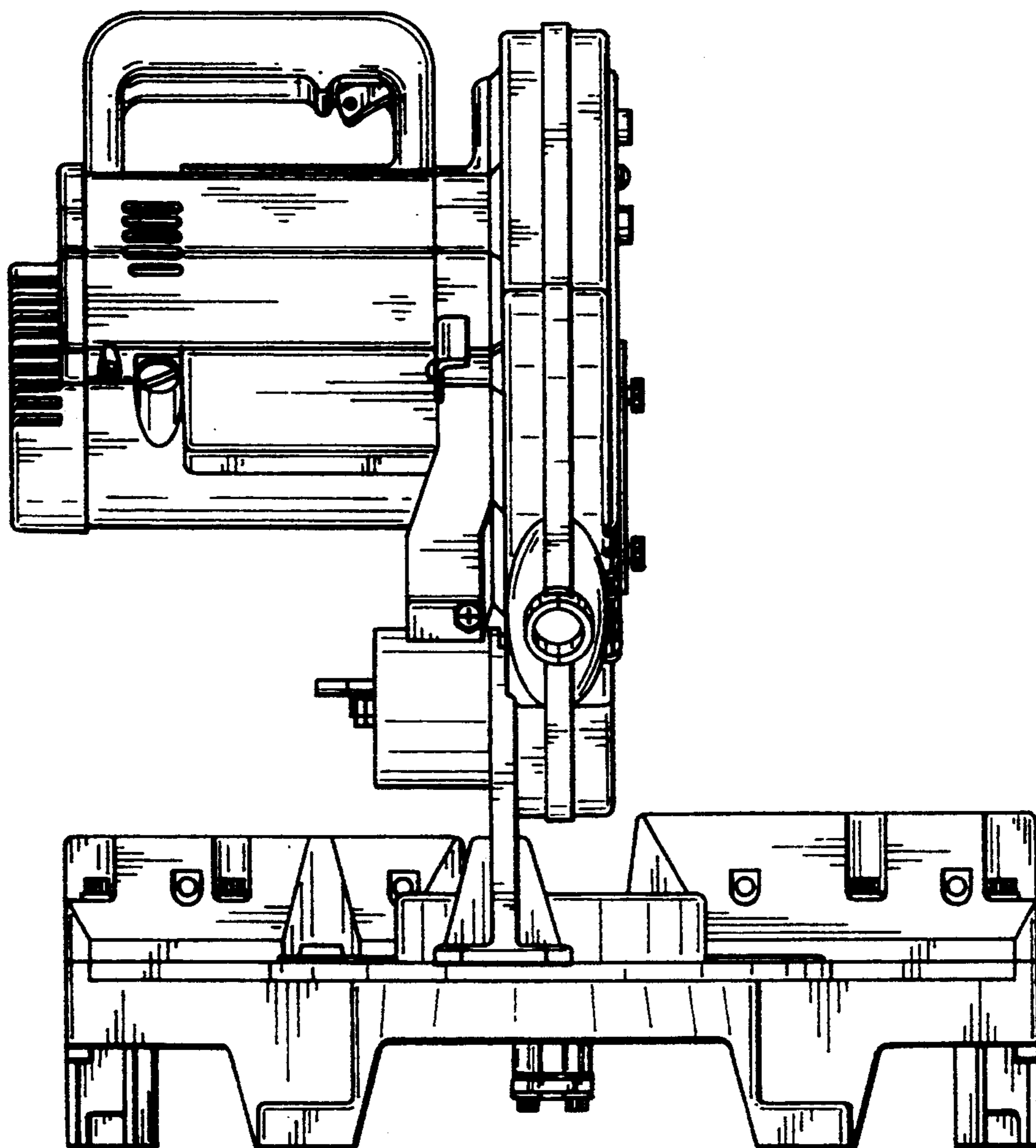


FIG. 3



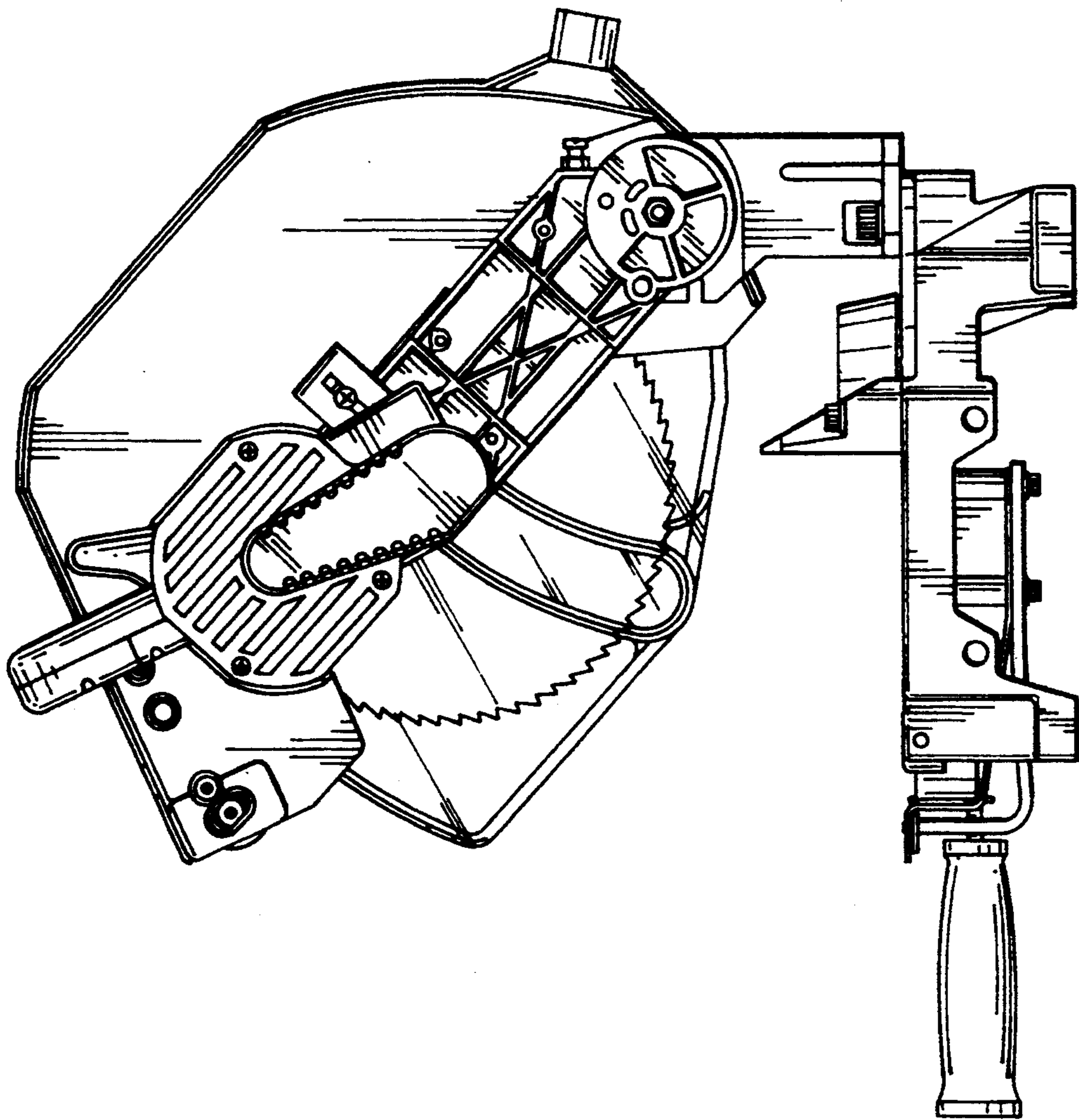


FIG. 4

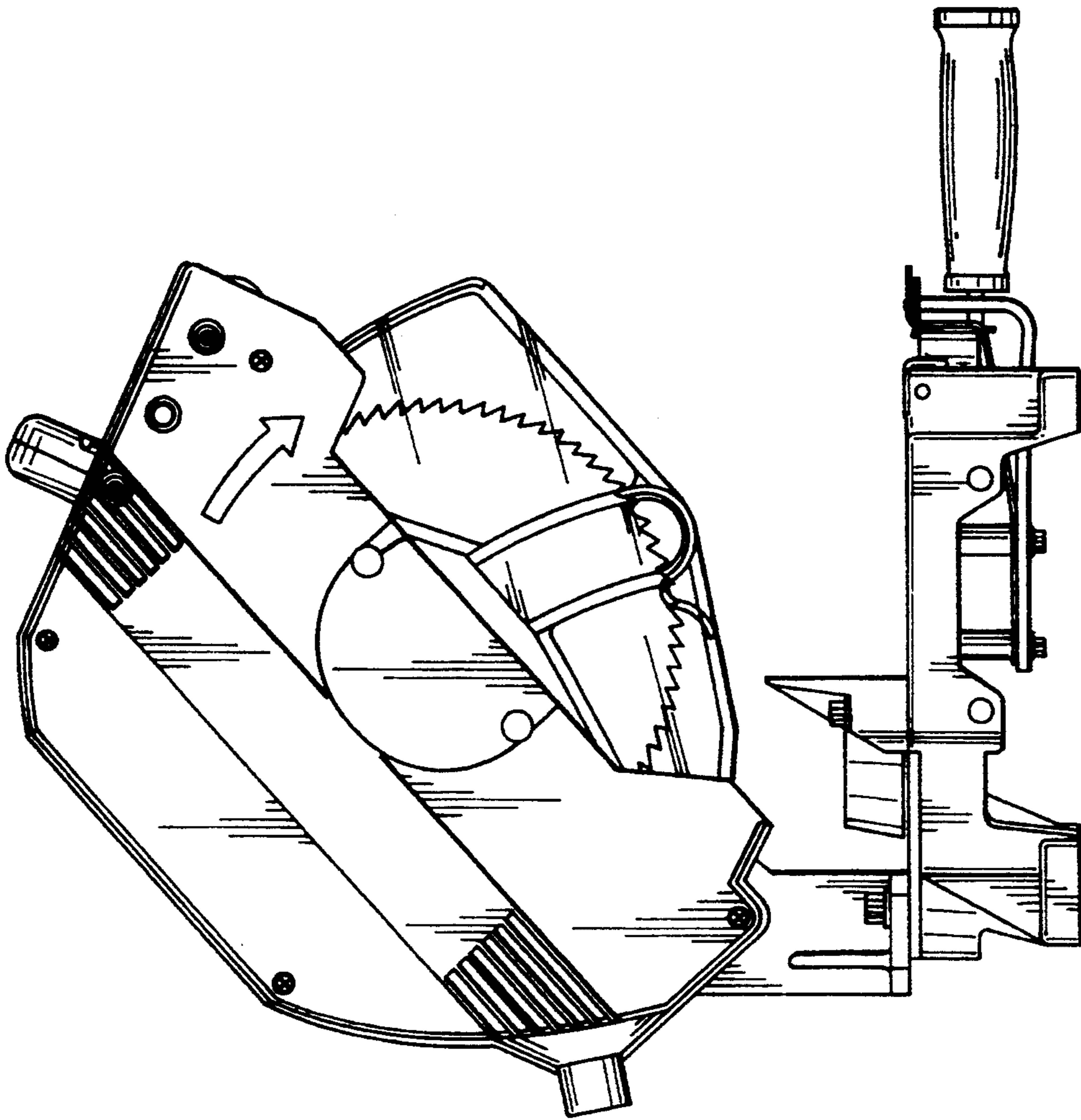


FIG. 5

FIG. 6

