



US00D352505S

United States Patent [19]

[11] Patent Number: **Des. 352,505**

Pullman et al.

[45] Date of Patent: **** Nov. 15, 1994**

[54] CONTROL TRAY FOR BASE STATION

D. 300,624 4/1989 Seymour D13/162 X
D. 316,417 4/1991 Wall et al. D14/299

[75] Inventors: **Marc H. Pullman**, Bartlett; **Jeffrey S. Lipschultz**, Streamwood; **Kenneth W. Larson**, Elmhurst, all of Ill.

Primary Examiner—Bernard Ansher
Assistant Examiner—Mitchell I. Siegel
Attorney, Agent, or Firm—Susan L. Lukasik; Steven G. Parmelee; Wayne J. Egan

[73] Assignee: **Motorola, Inc.**, Schaumburg, Ill.

[**] Term: **14 Years**

[57] CLAIM

[21] Appl. No.: **876,228**

The ornamental design for a control tray for base station, as shown and described.

[22] Filed: **Apr. 30, 1992**

DESCRIPTION

[52] U.S. Cl. **D14/299; D13/162**

[58] Field of Search 174/50; 361/725, 727;
D14/299, 100, 107, 109, 124, 188, 265;
D13/162, 164, 184

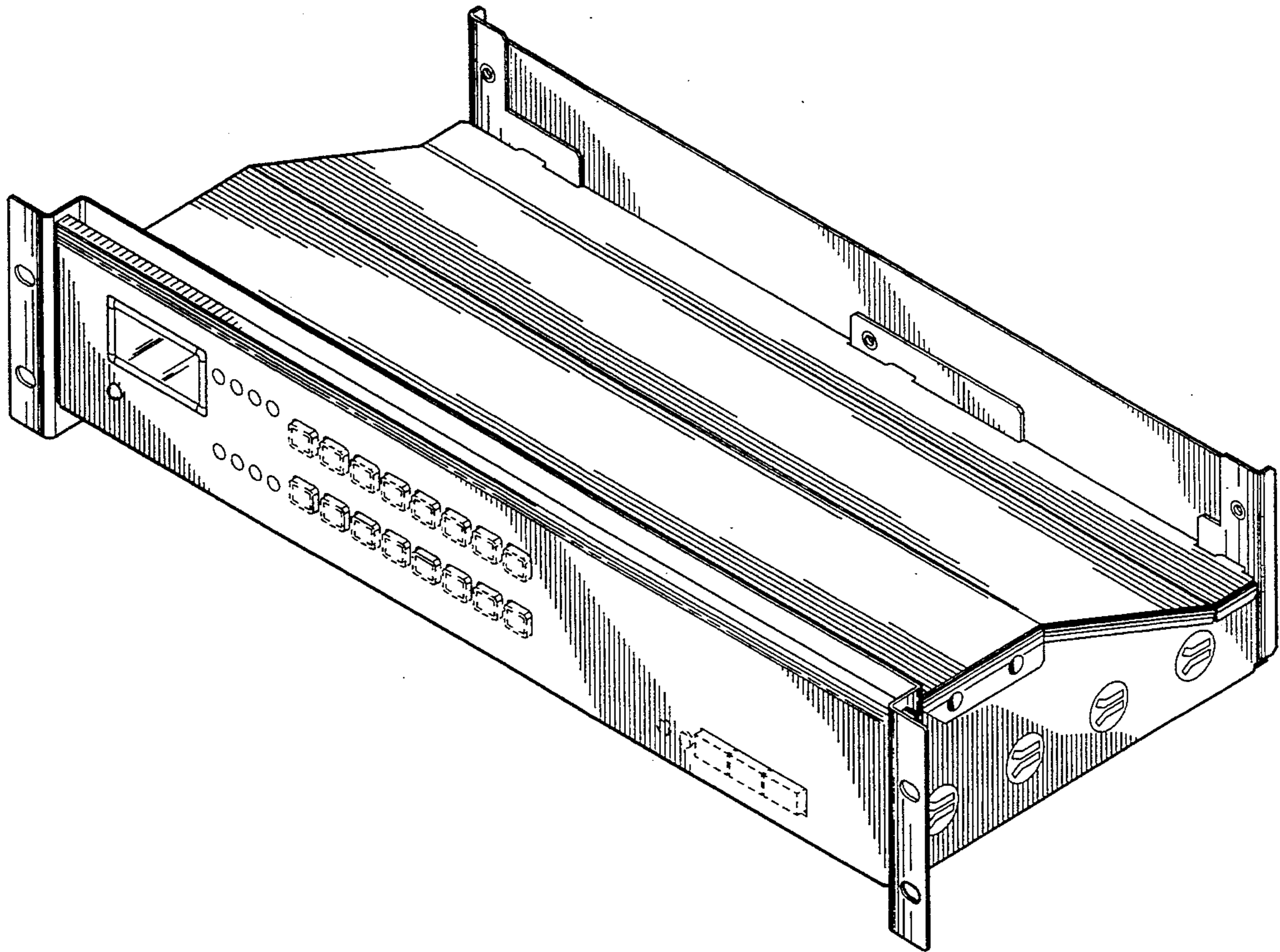
FIG. 1 is a top, front and right side perspective view of a control tray for base station showing our new design; FIG. 2 is a rear elevation view thereof; FIG. 3 is a left side elevation view thereof; and, FIG. 4 is a bottom plan view thereof.

The broken line showing of buttons in FIGS. 1, 3, and 4 is for illustrative purposes only and forms no part of the claimed design.

[56] References Cited

U.S. PATENT DOCUMENTS

D. 231,464 4/1974 Dalke D14/100



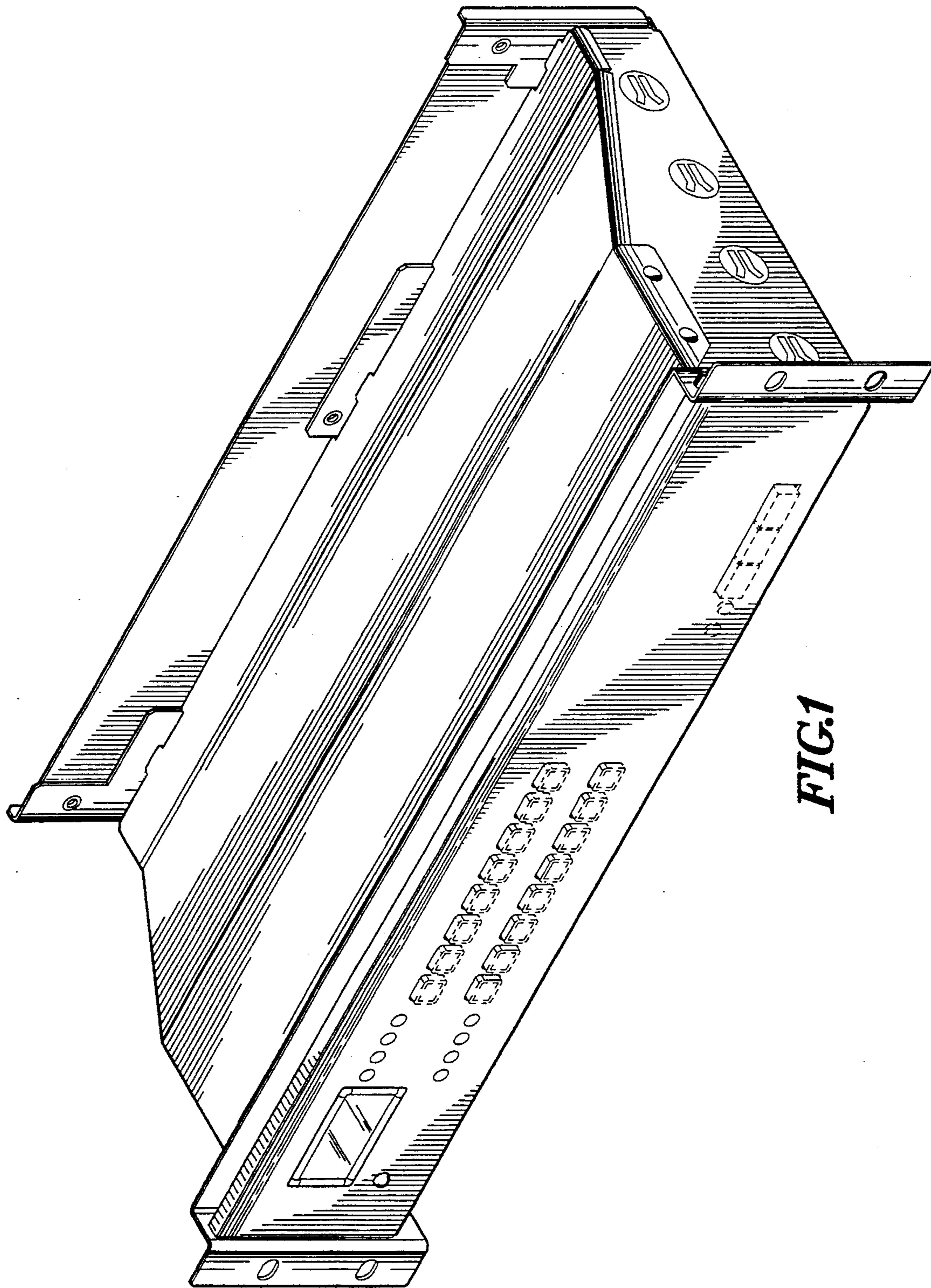


FIG. 1

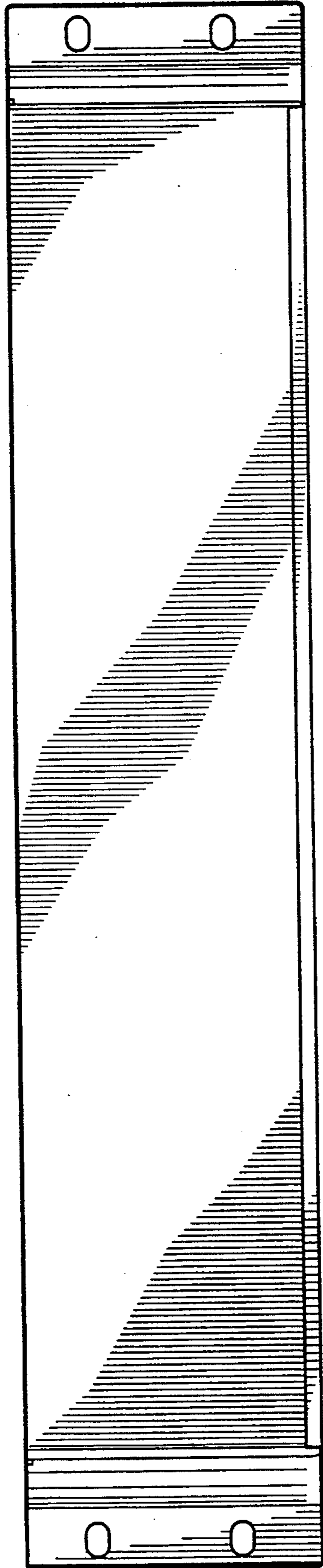


FIG. 2

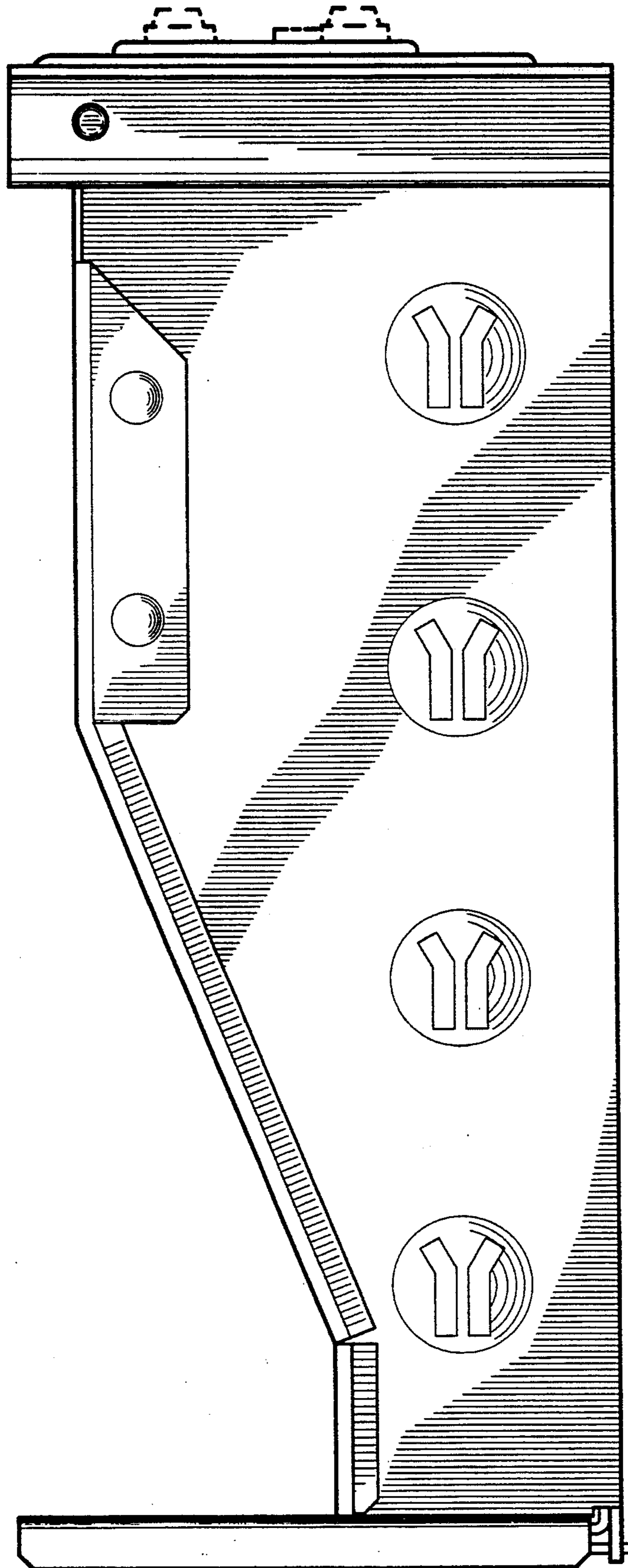


FIG. 3

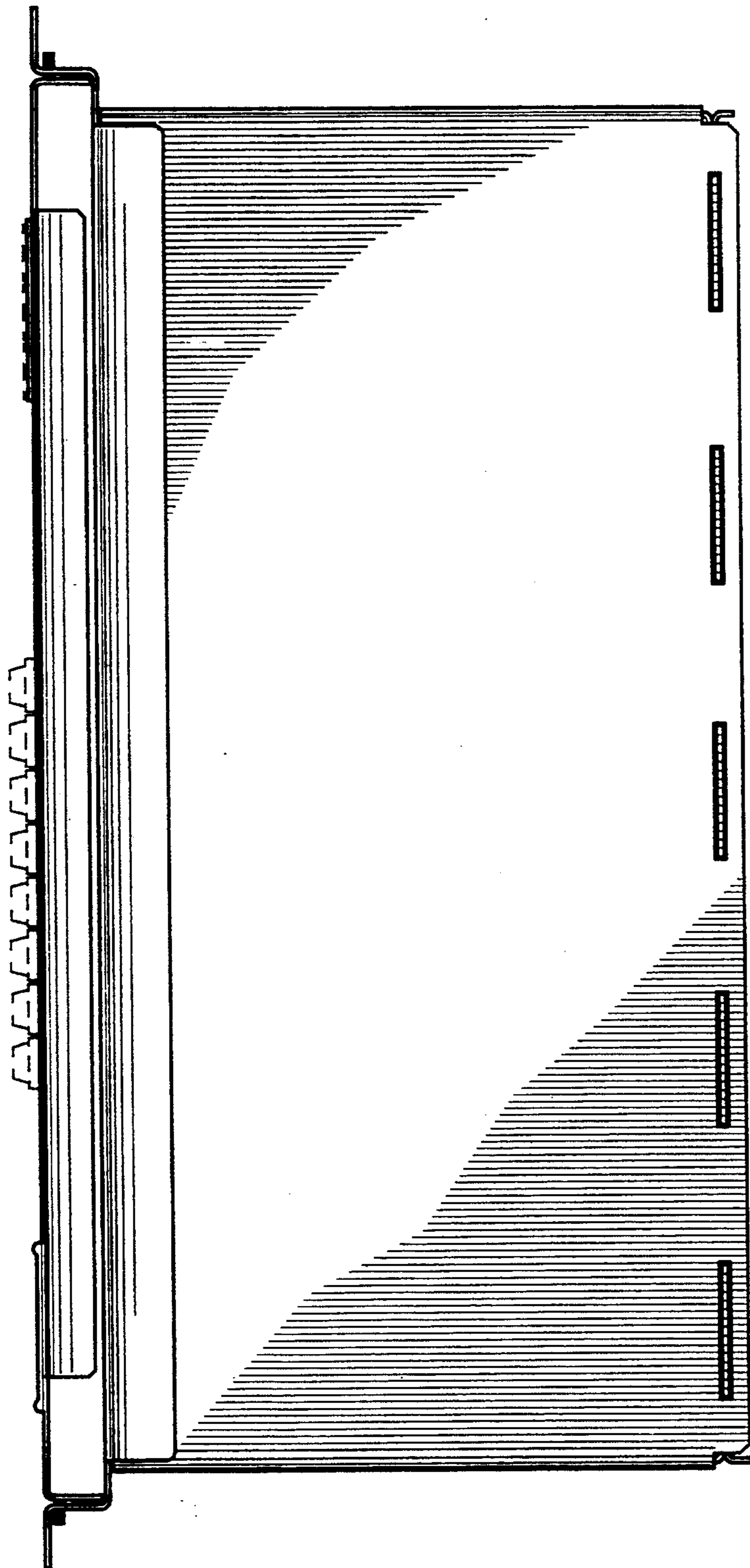


FIG. 4