



US00D352502S

# United States Patent [19]

## Hasegawa

[11] Patent Number: Des. 352,502

[45] Date of Patent: \*\* Nov. 15, 1994

[54] IMAGE SCANNER

[75] Inventor: Fumio Hasegawa, Nagoya, Japan

[73] Assignee: Elmo Company, Limited, Nagoya, Japan

[\*\*] Term: 14 Years

[21] Appl. No.: 9,212

[22] Filed: Jun. 3, 1993

[52] U.S. Cl. .... D14/107; D16/232

[58] Field of Search ..... 235/454, 462, 470, 476, 235/482, 483, 441; 250/566, 568, 569; 355/64, 65, 75, 231, 233; 358/408, 472, 474, 497; 345/168; 354/80; D14/100, 107; D16/208, 214, 223, 232; D18/36, 37, 39

[56] **References Cited**

**U.S. PATENT DOCUMENTS**

D, 323,819	2/1992	Imura	.....	D14/107
D. 327,672	7/1992	Imura	.....	D14/107
D. 342,272	12/1993	Saito et al.	.....	D16/208
3,981,582	9/1976	Bookless	.....	355/64 X
4,134,105	1/1979	Stadler	.....	345/168 X

4,803,505	2/1989	Saijo et al.	.....	354/80
5,202,724	4/1993	Nagata et al.	.....	355/64
5,247,330	9/1993	Ohyama et al.	.....	355/64

**FOREIGN PATENT DOCUMENTS**

854957 12/1992 Japan .

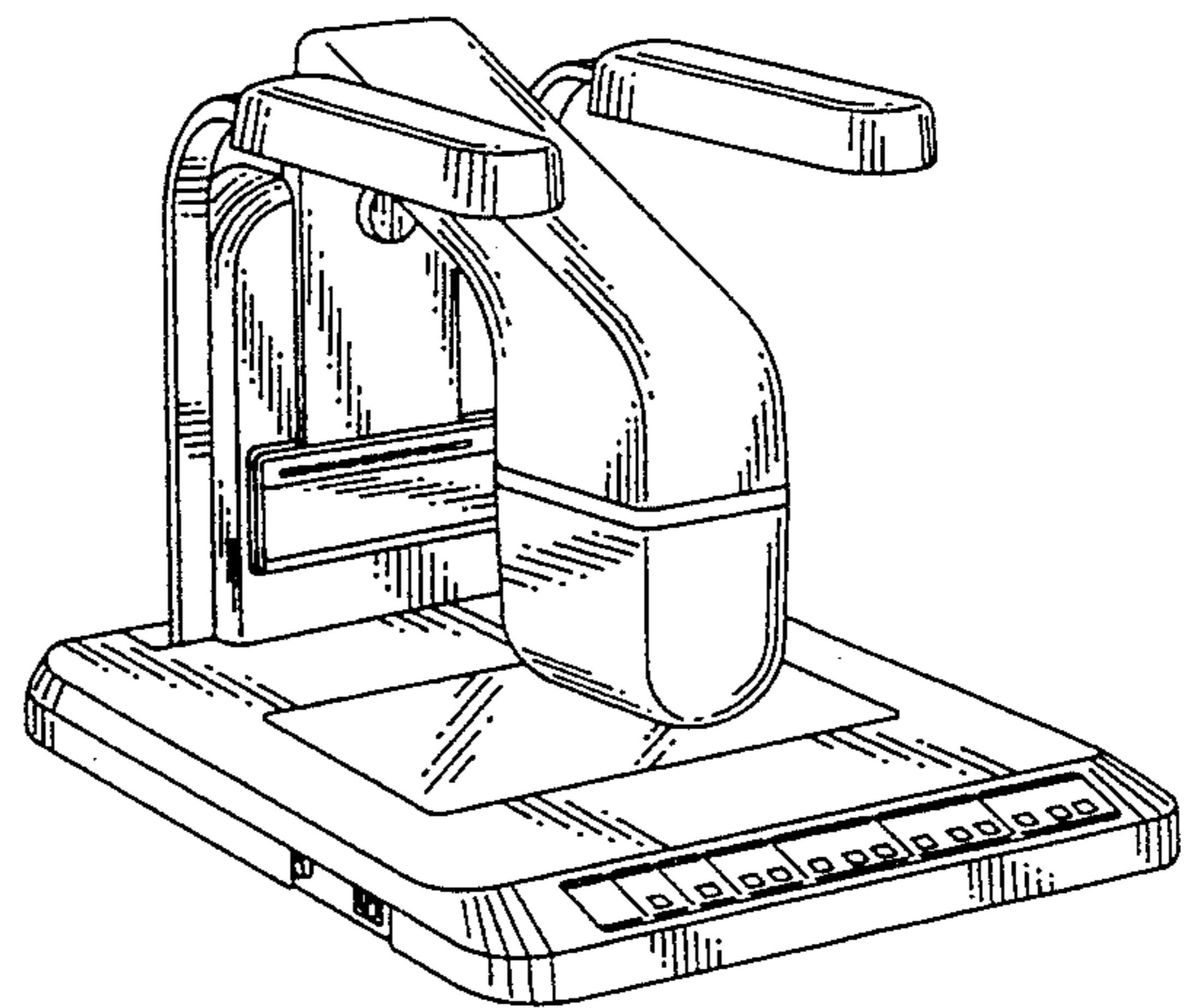
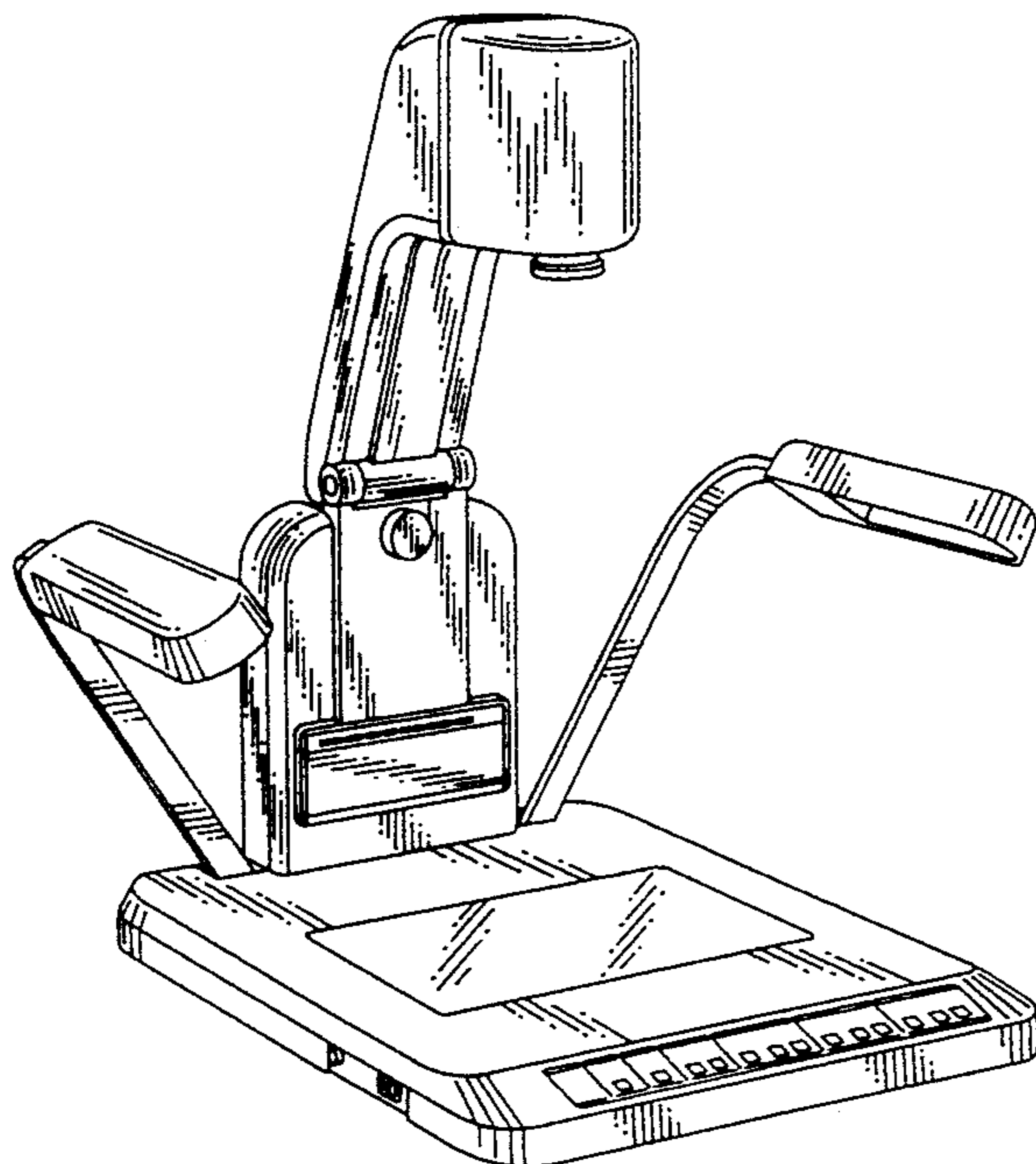
*Primary Examiner*—Freda S. Nunn  
*Attorney, Agent, or Firm*—Hickman & Beyer

[57] **CLAIM**

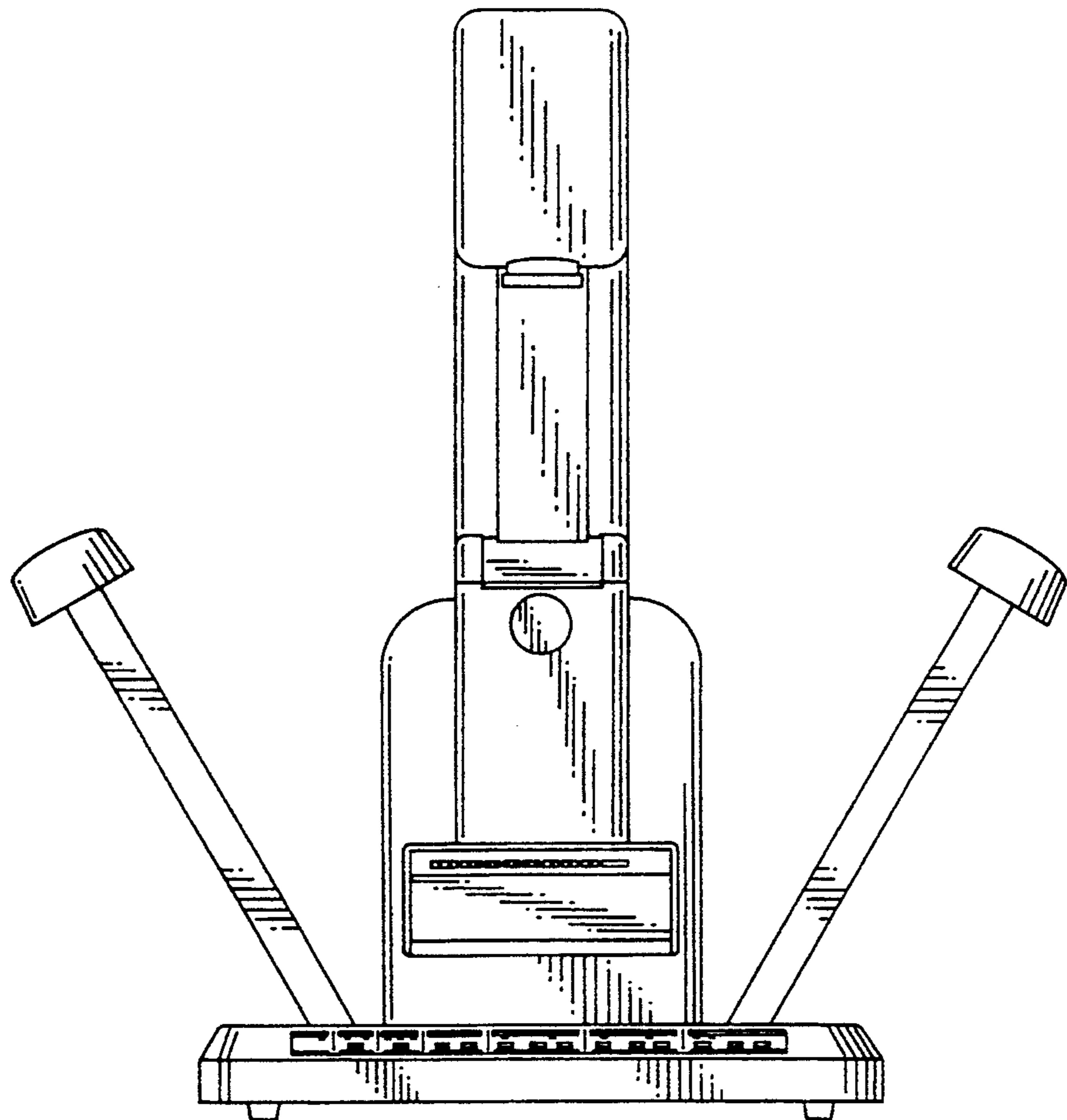
The ornamental design for an image scanner, as shown and described.

**DESCRIPTION**

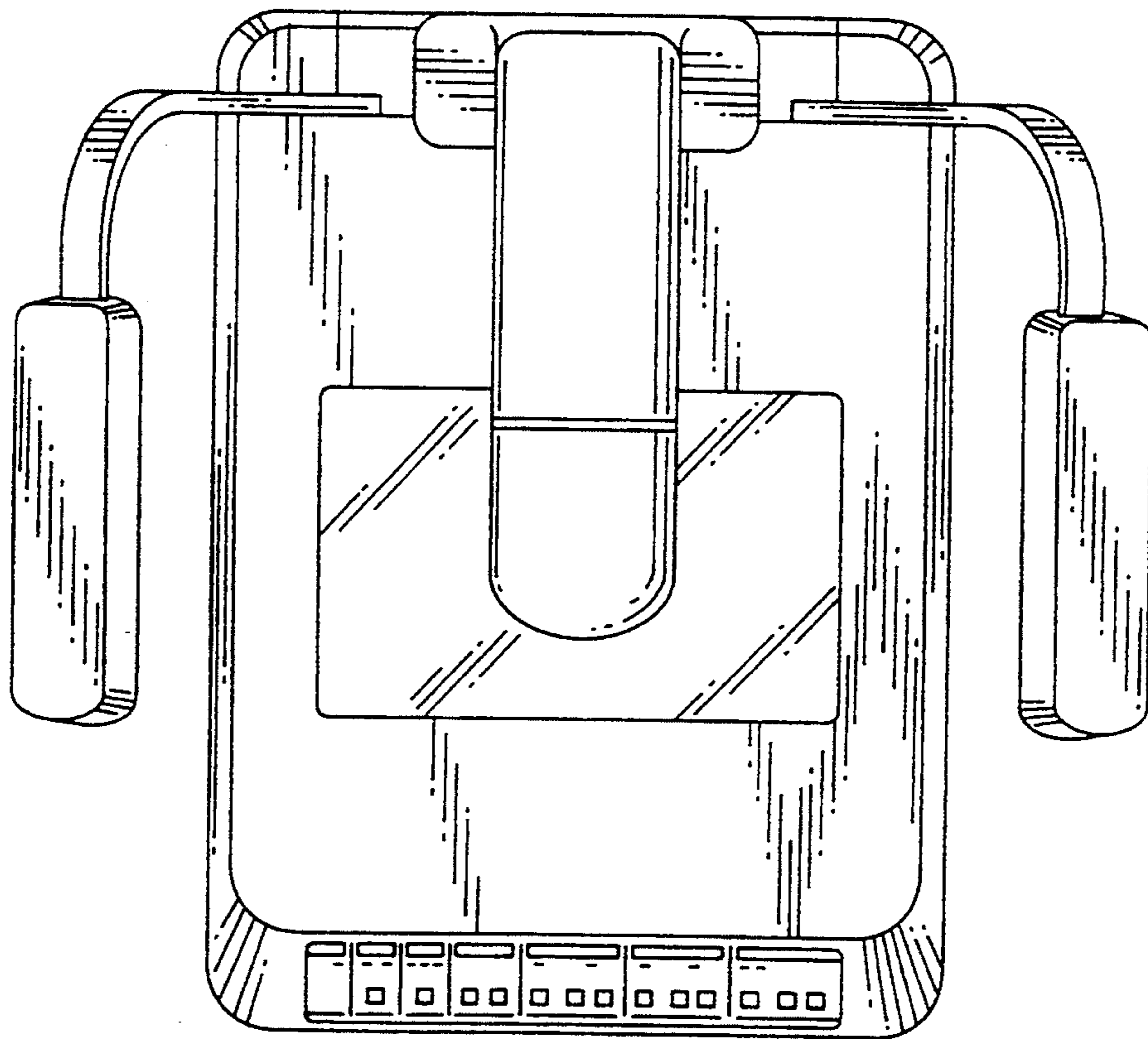
FIG. 1 is a front view of the image scanner embodying my new design;  
FIG. 2 is a top plan view thereof the undisclosed bottom view is unornamented;  
FIG. 3 is a left side view thereof;  
FIG. 4 is a right side view thereof;  
FIG. 5 is a rear view thereof;  
FIG. 6 is a perspective view thereof; and,  
FIG. 7 is a perspective view thereof with each part being folded.



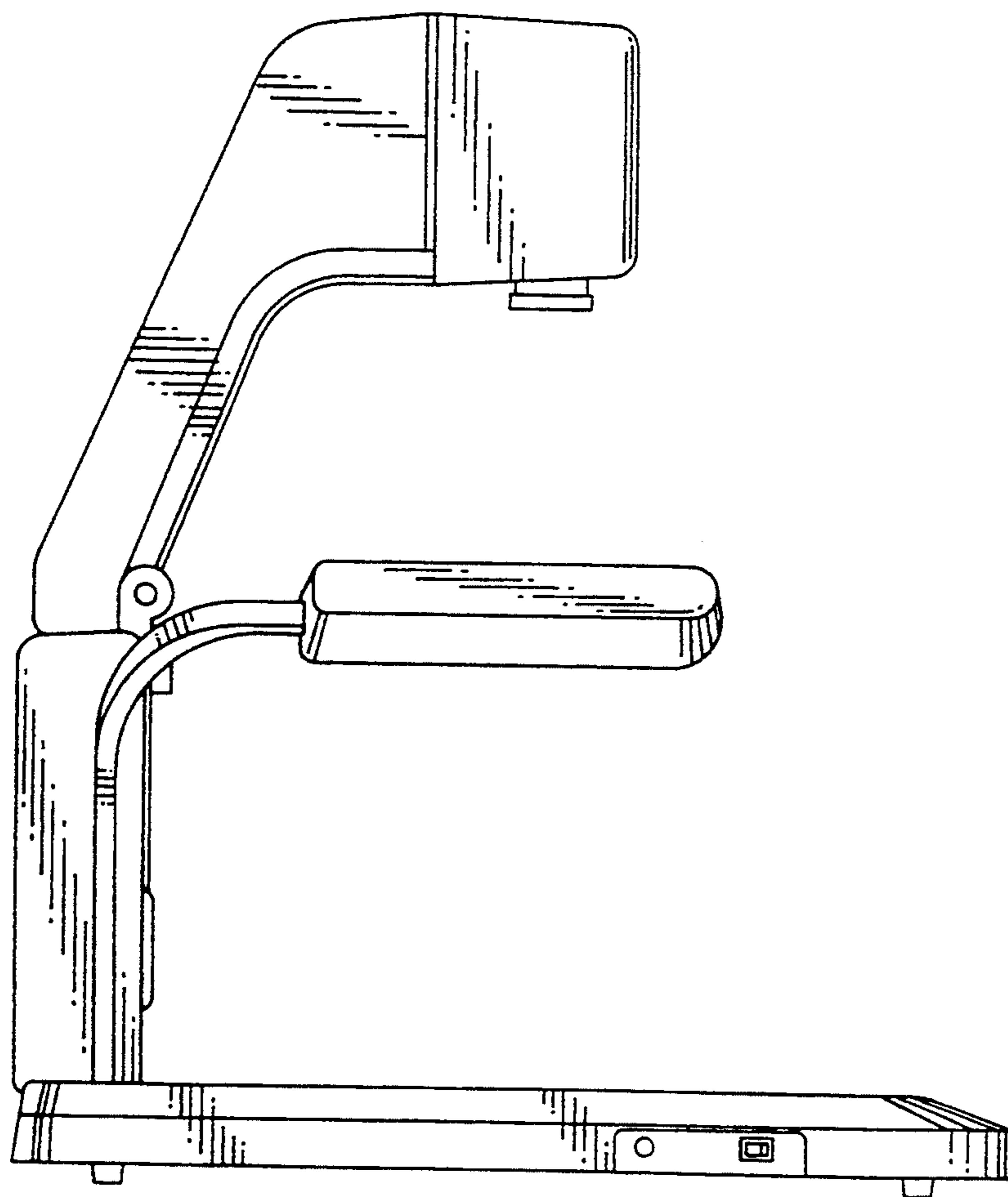
F i g . 1



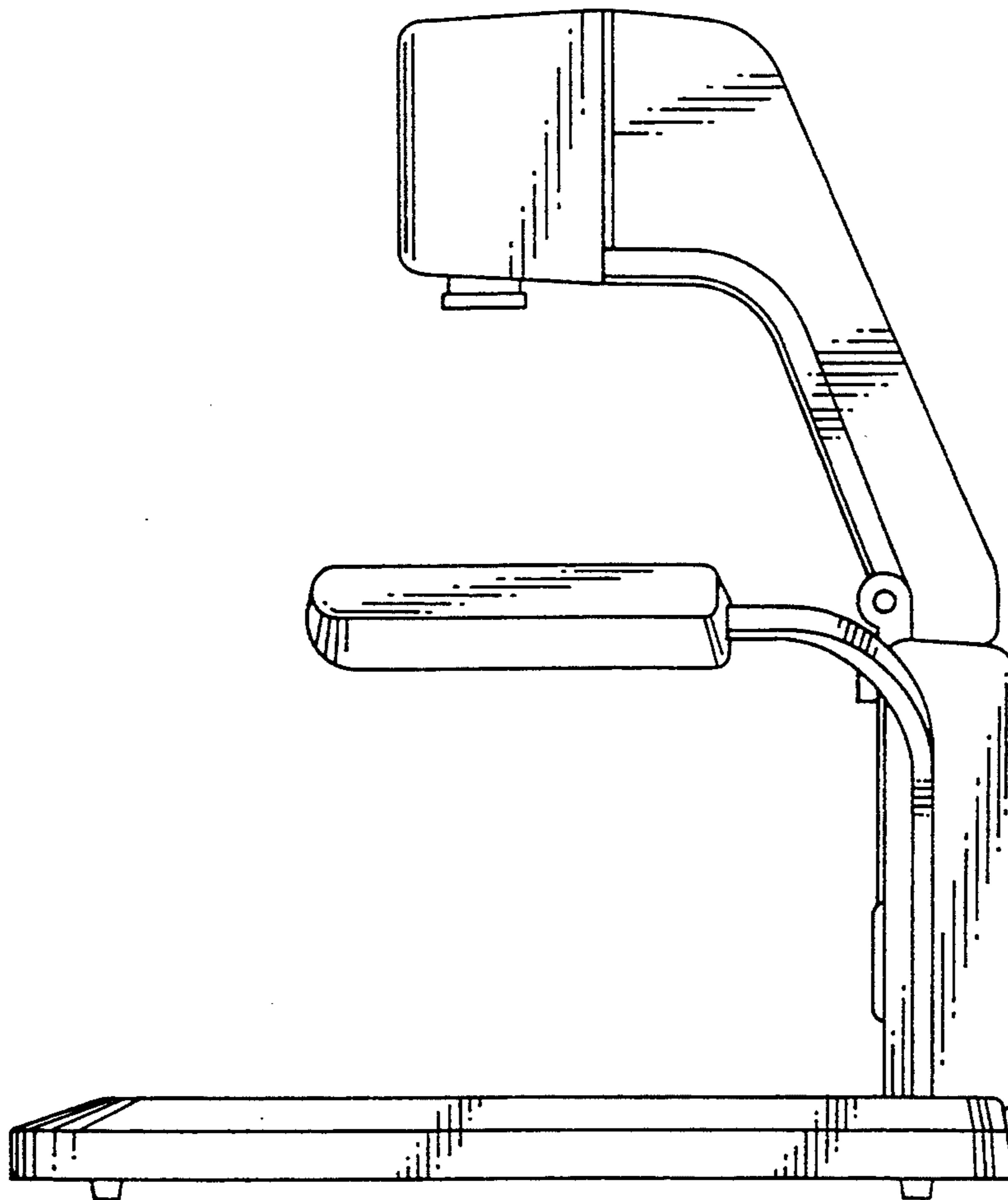
F i g . 2



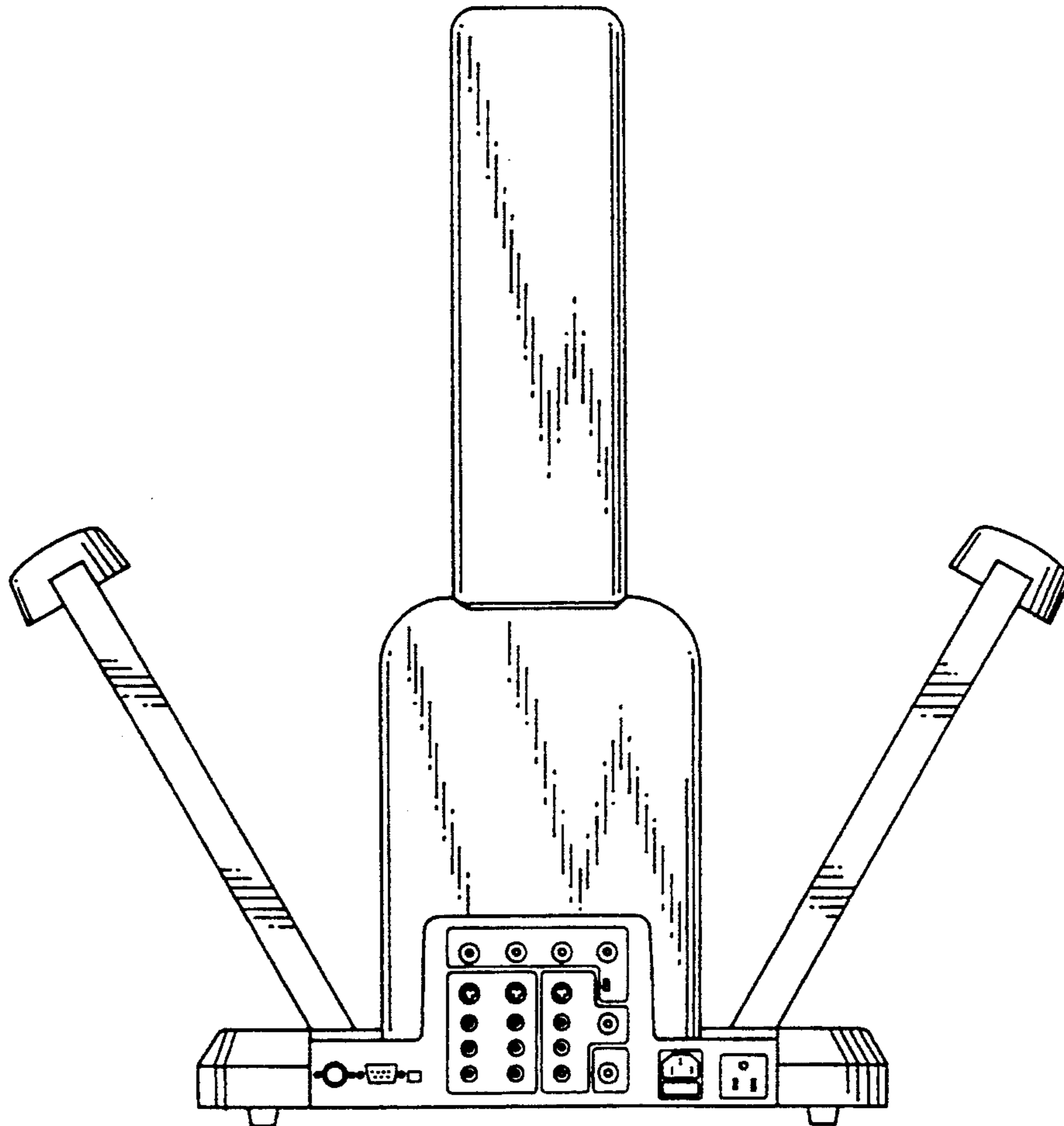
F i g . 3



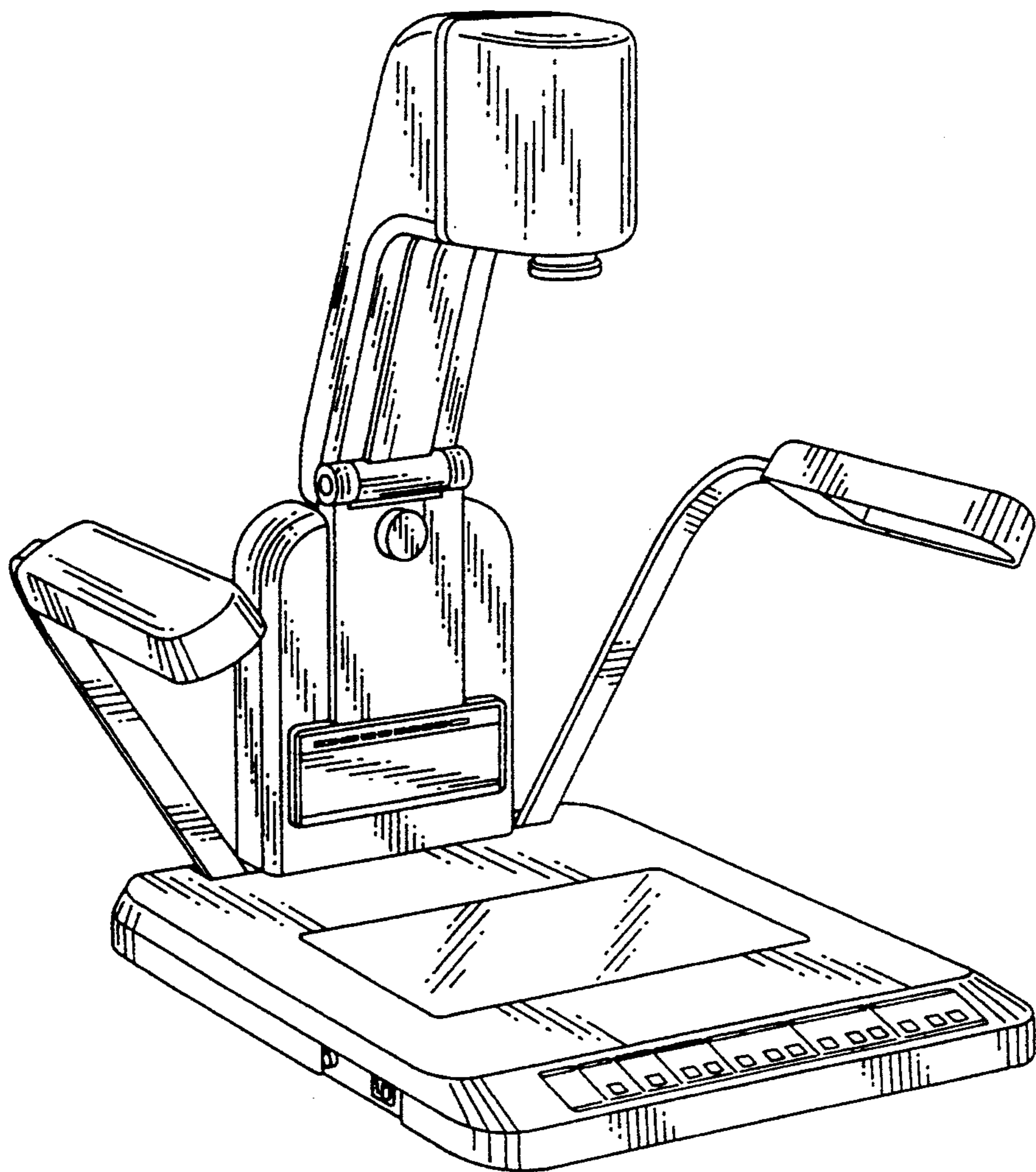
F i g . 4



F i g . 5



F i g . 6



F i g . 7

