



US00D352500S

**United States Patent** [19]  
**Hackleman**

[11] **Patent Number: Des. 352,500**  
[45] **Date of Patent: \*\* Nov. 15, 1994**

[54] **COMPUTER HOUSING**

[76] **Inventor: Douglas L. Hackleman, 11890 Holly St., Grand Terrace, Calif. 92324**

[\*\*] **Term: 14 Years**

[21] **Appl. No.: 862,249**

[22] **Filed: Apr. 1, 1992**

[52] **U.S. Cl. .... D14/100**

[58] **Field of Search ..... 206/576, 320, 305; 190/110, 115; 312/223.3; D14/100, 106, 113, 115; D18/1, 7, 11, 12**

[56] **References Cited**

**U.S. PATENT DOCUMENTS**

D. 250,588	12/1978	Mayer et al. ....	D14/106
D. 254,005	1/1980	Reid et al. ....	D14/106
D. 327,474	6/1992	Lee ....	D14/106
4,693,525	9/1987	Shinoto ....	312/223.3 X
4,837,590	6/1989	Sprague ....	D14/106 X

4,896,776	1/1990	Kabanuk et al. ....	206/576
5,226,540	7/1993	Bradbury ....	206/576

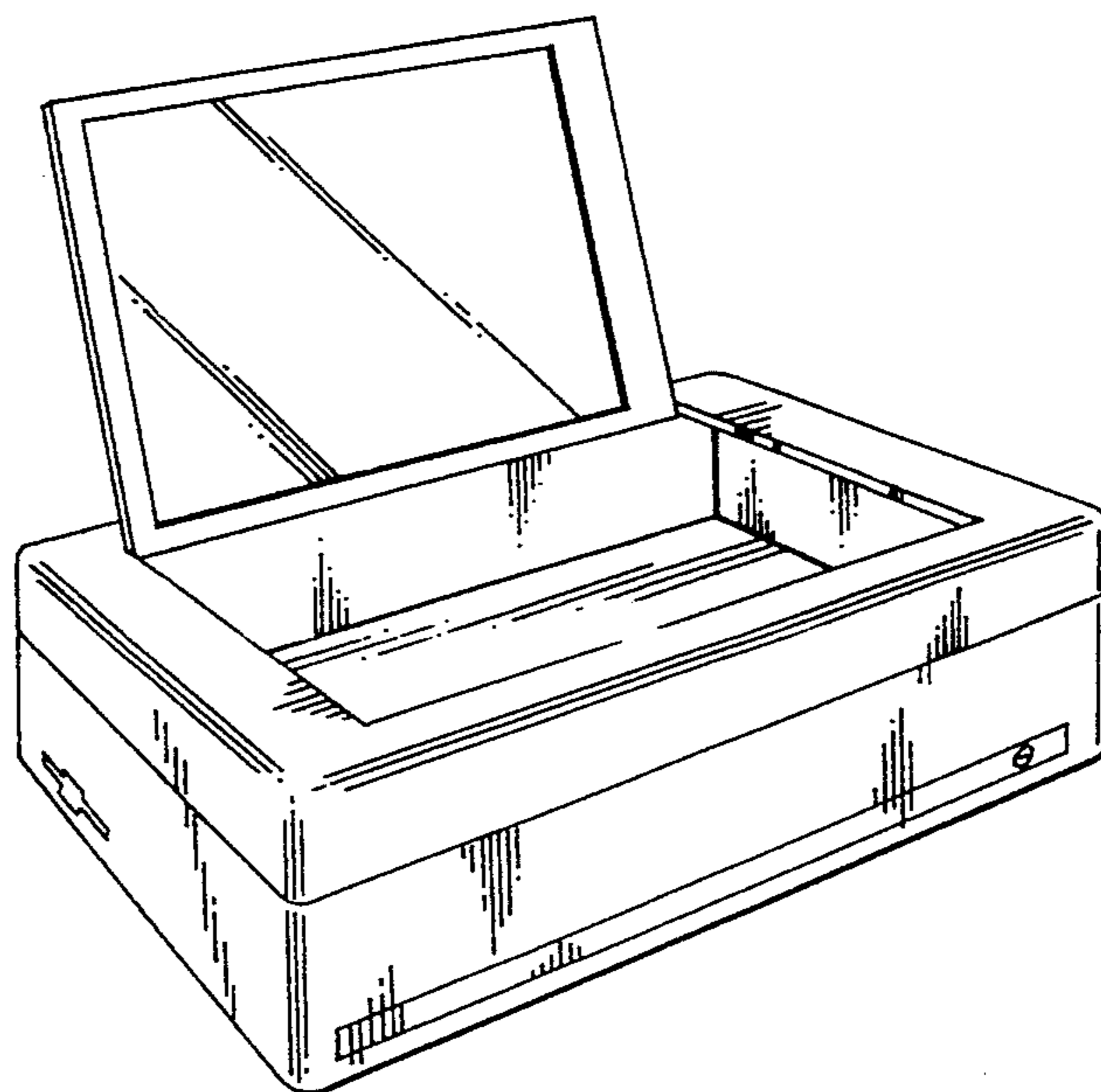
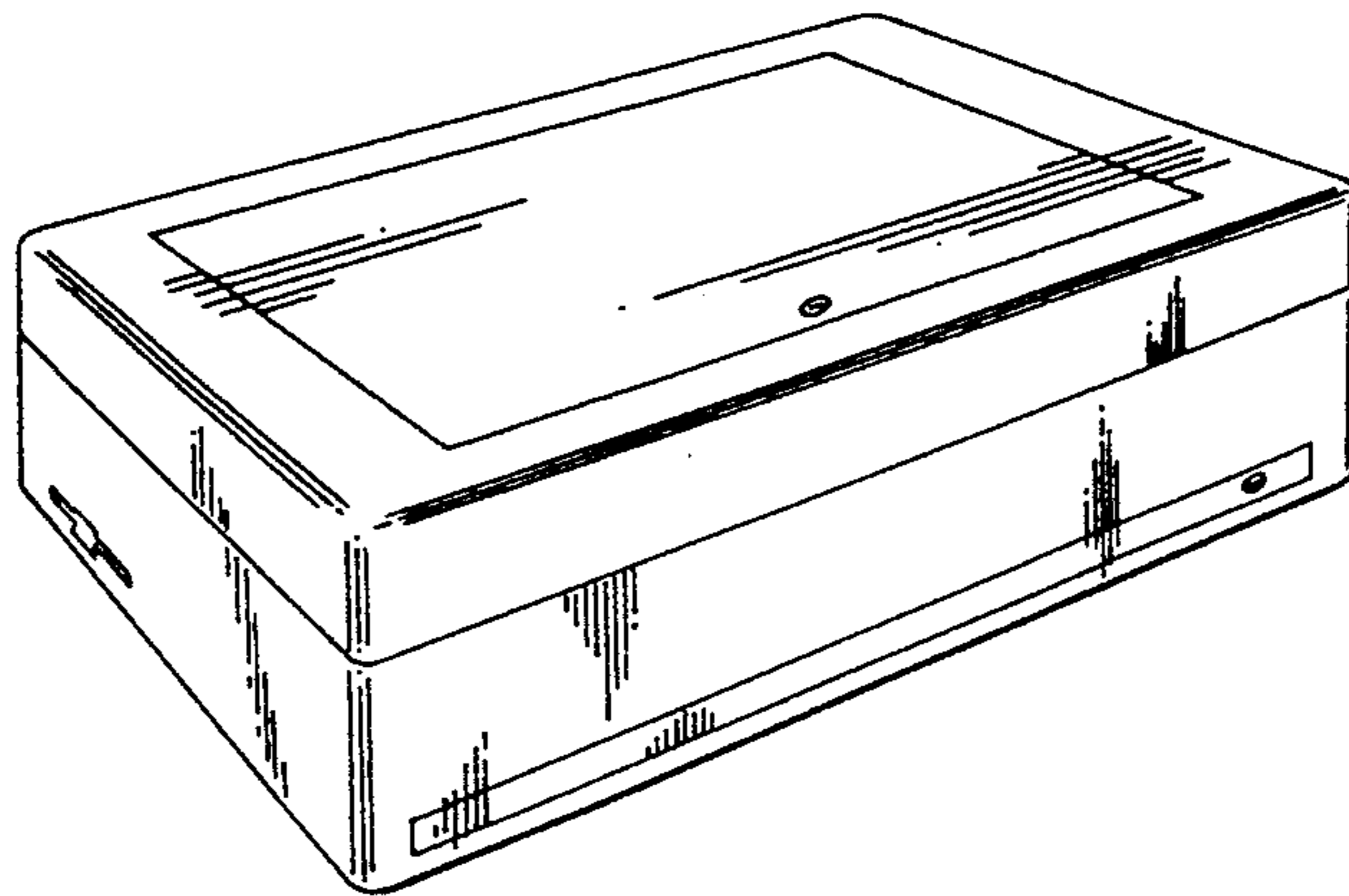
*Primary Examiner*—Wallace R. Burke  
*Assistant Examiner*—Freda S. Nunn

[57] **CLAIM**

The ornamental design for a computer housing, as shown and described.

**DESCRIPTION**

FIG. 1 is a perspective view of a computer housing showing my new design with the lid closed;  
FIG. 2 is a perspective view thereof with the lid shown opened;  
FIG. 3 is a front elevational view thereof;  
FIG. 4 is a top view thereof;  
FIG. 5 is a rear elevational view thereof;  
FIG. 6 is an elevational view of the one end thereof;  
FIG. 7 is a bottom view thereof; and,  
FIG. 8 is an elevational view of the other end thereof.



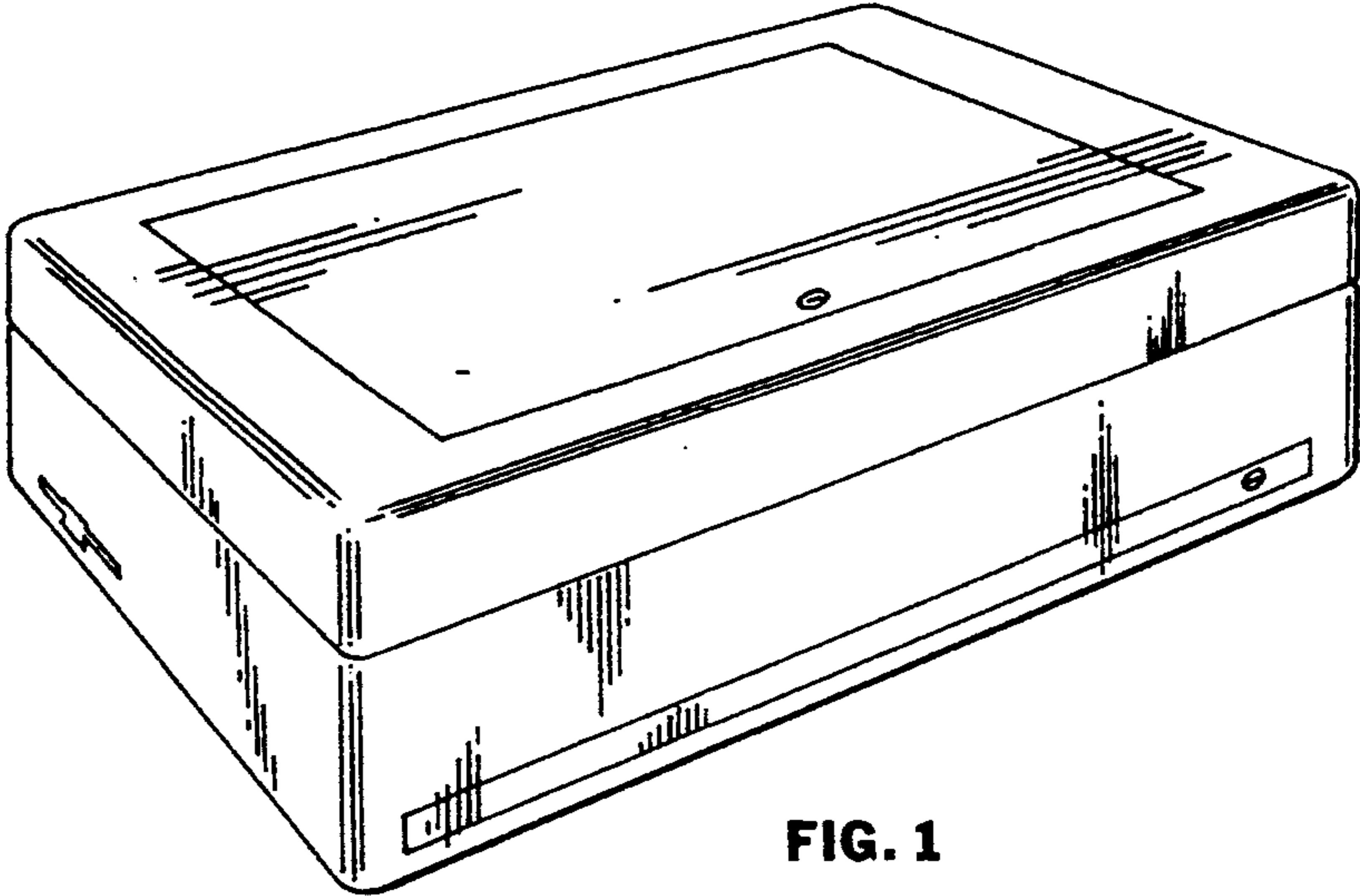


FIG. 1

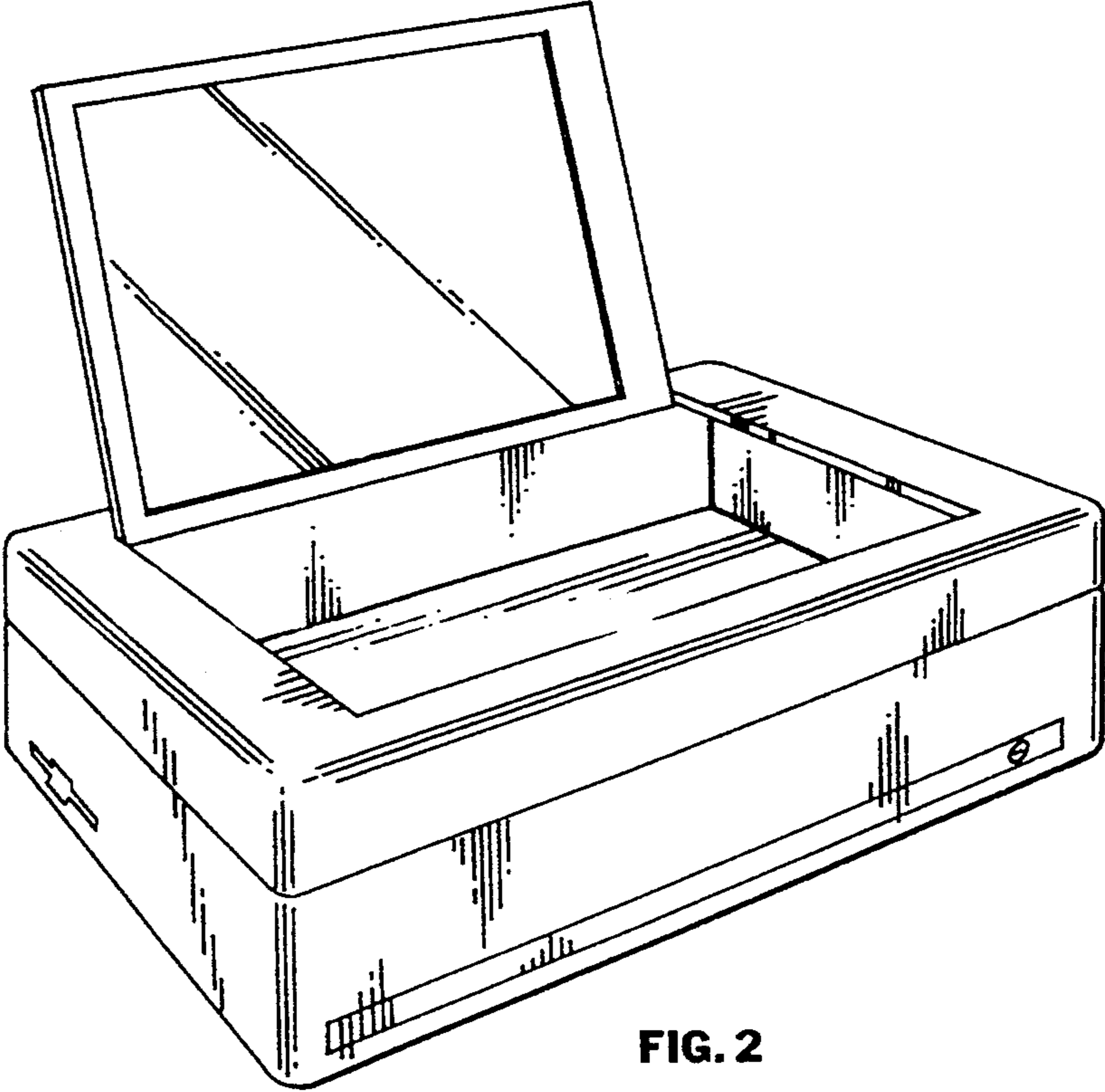


FIG. 2

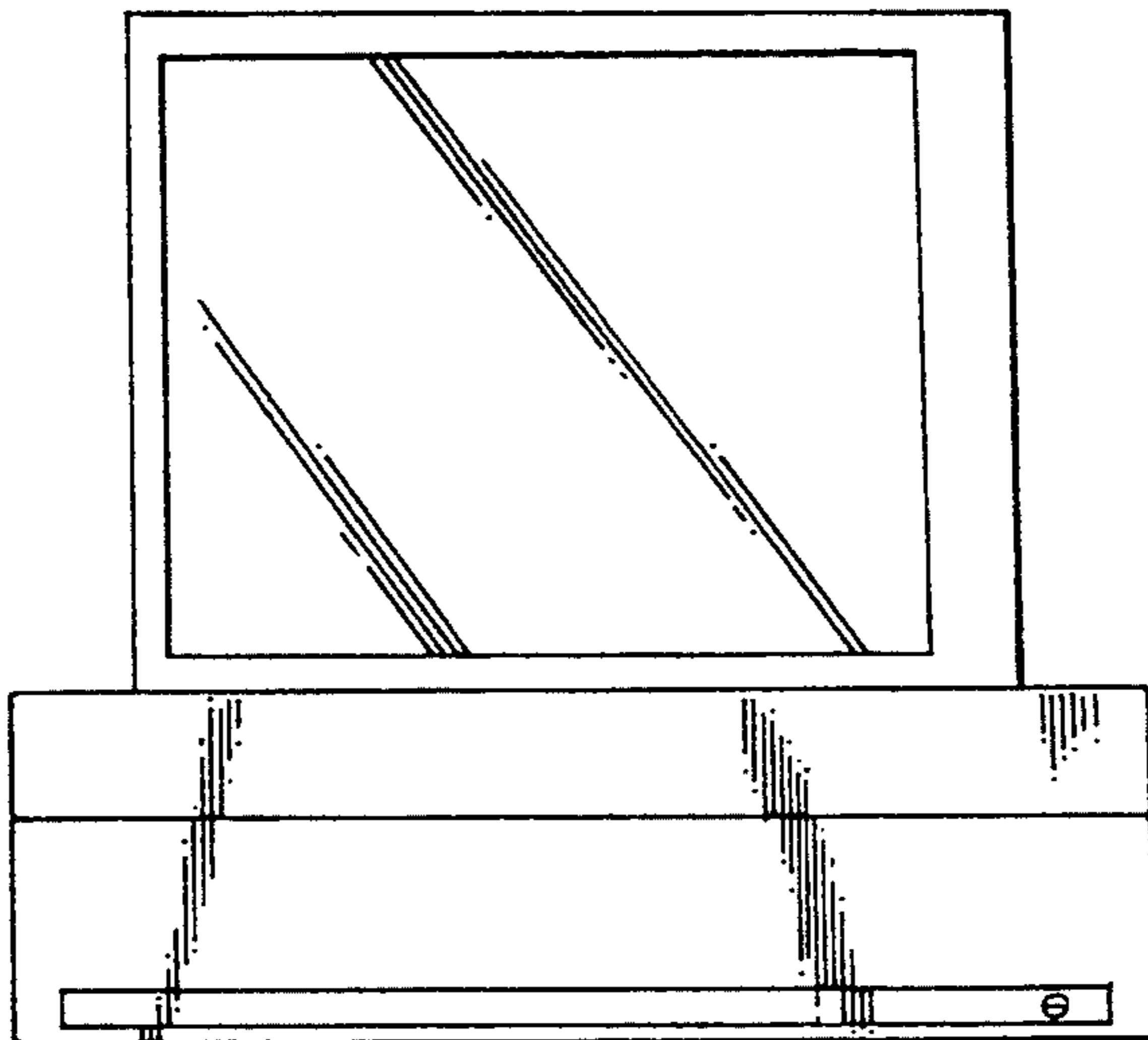


FIG. 3

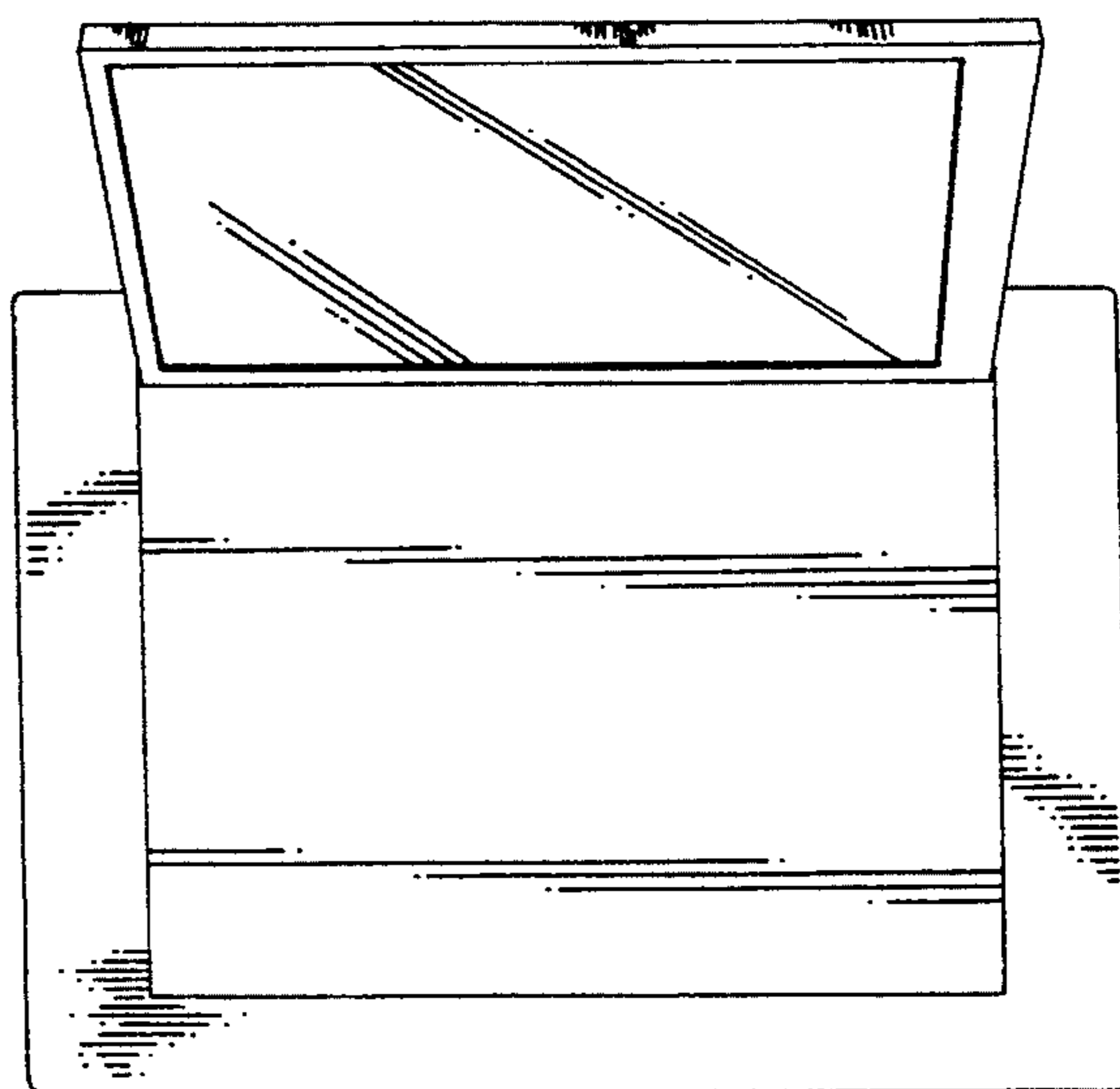


FIG. 4

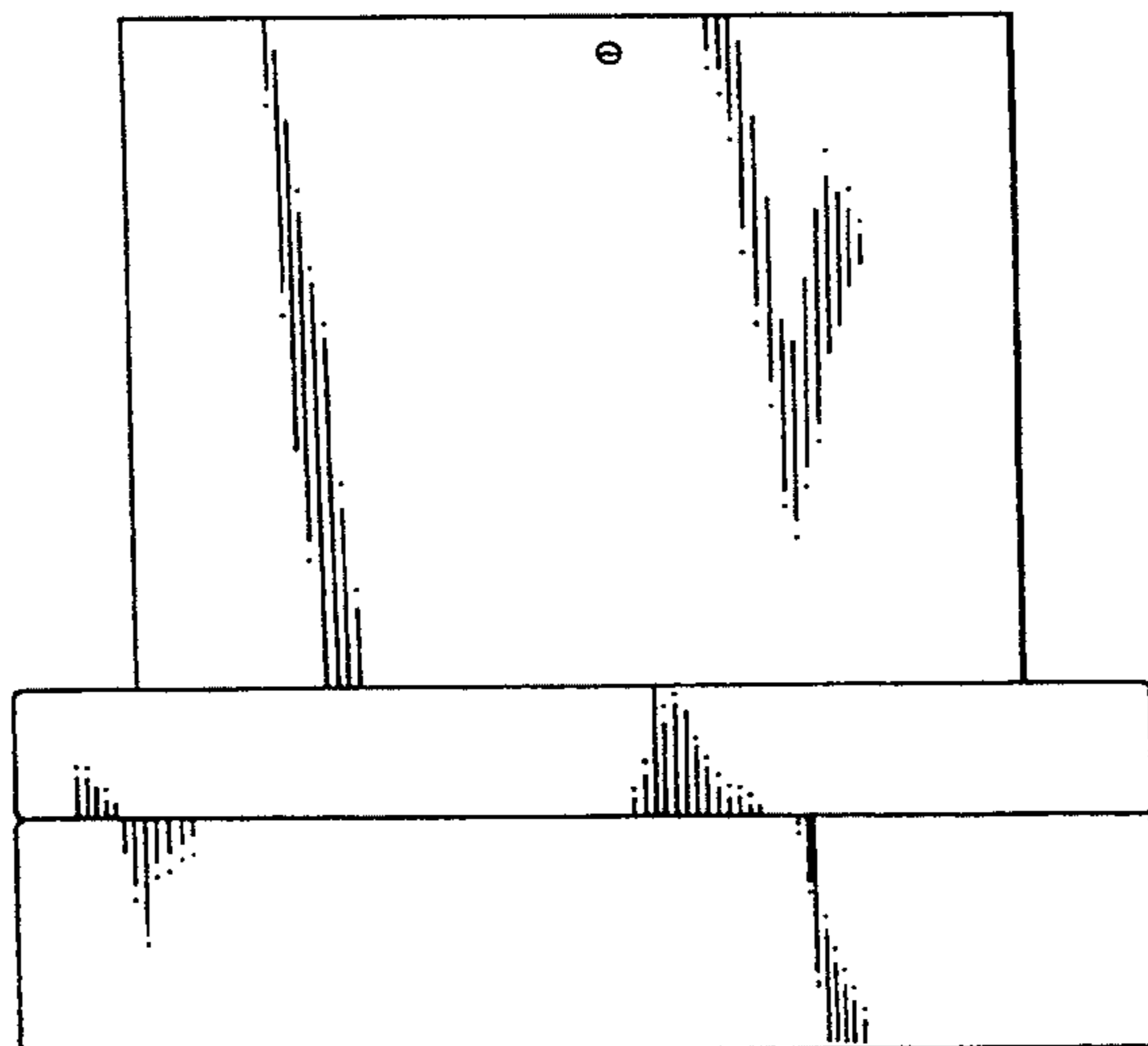


FIG. 5

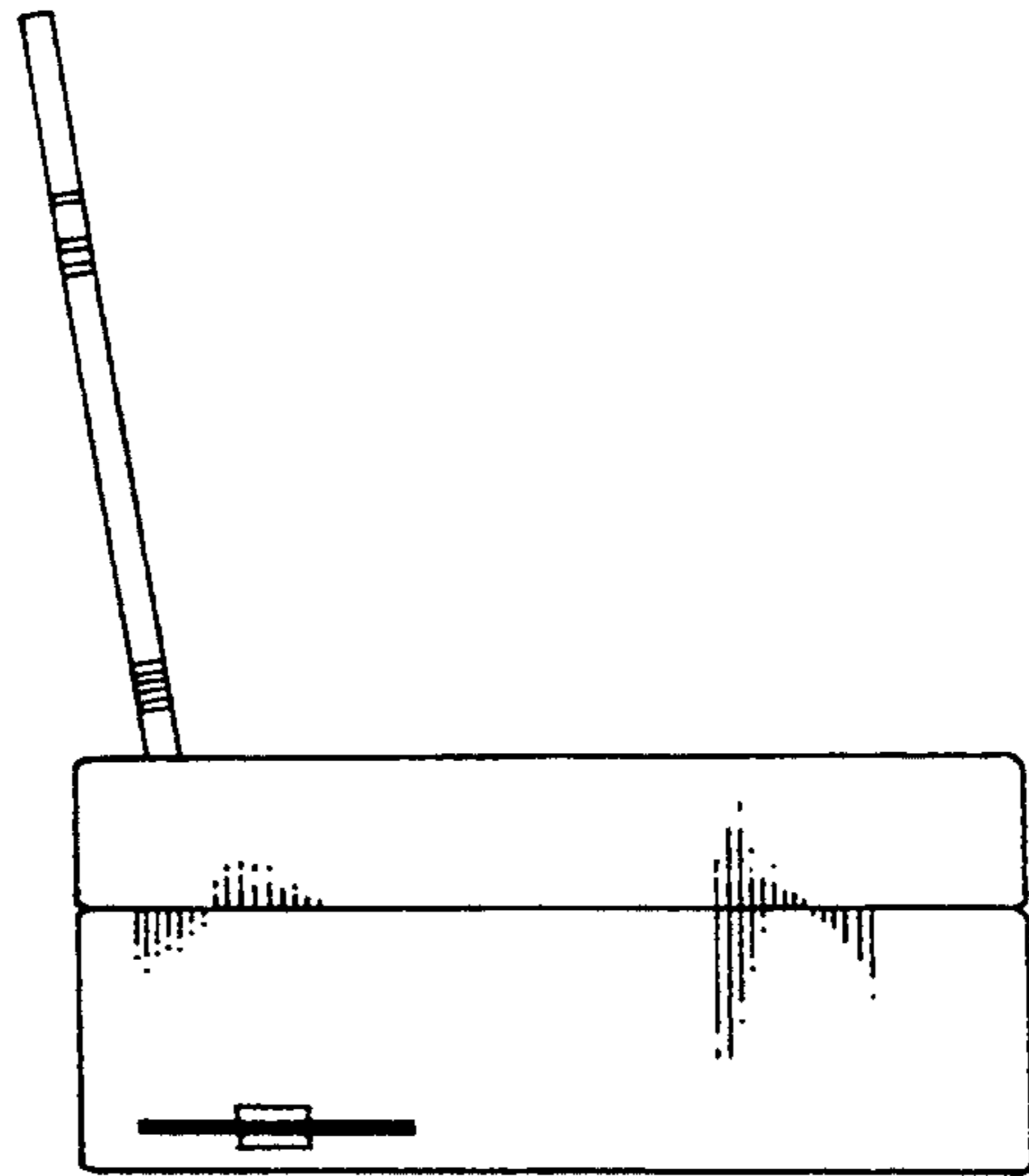


FIG. 6

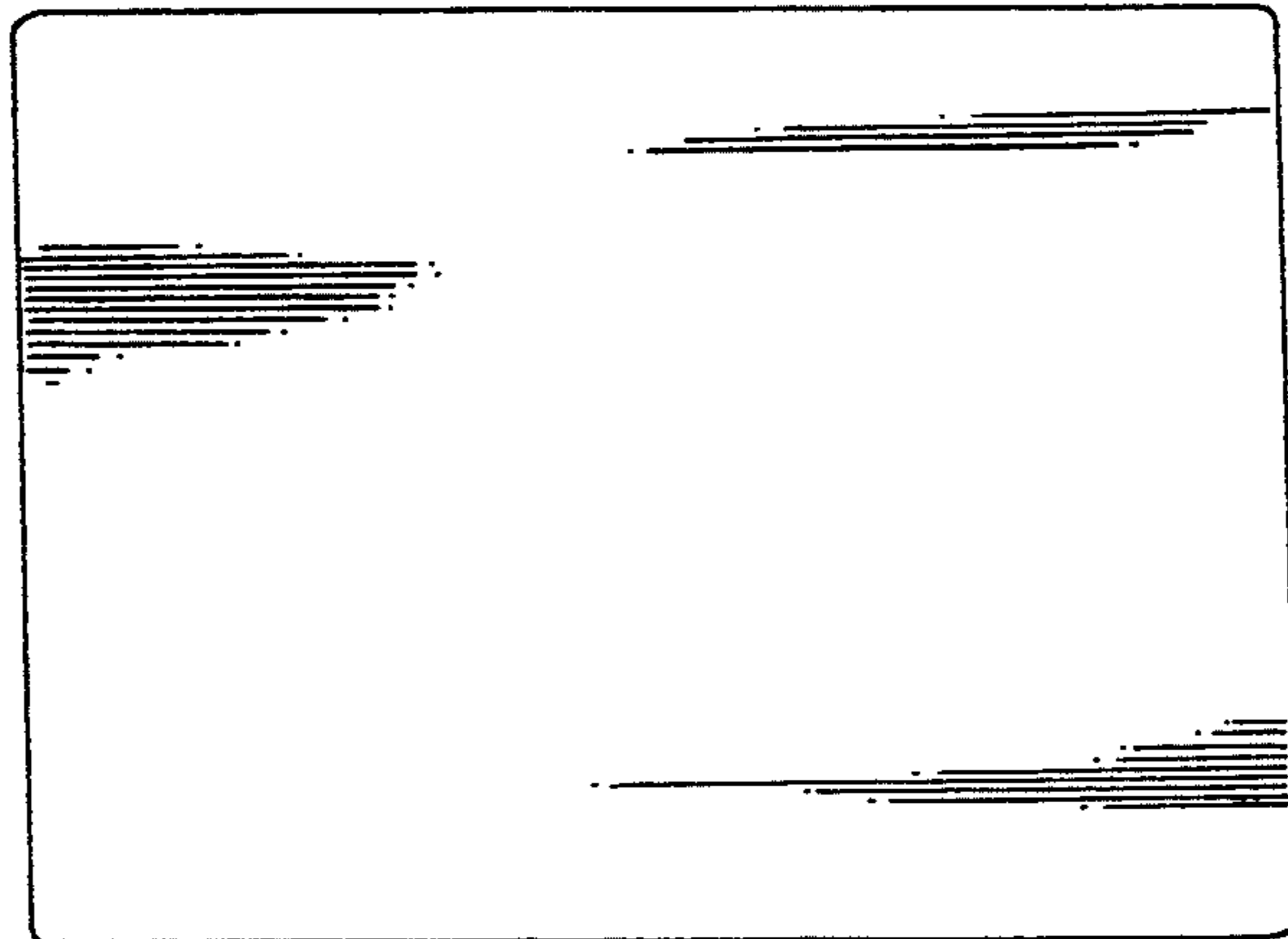


FIG. 7

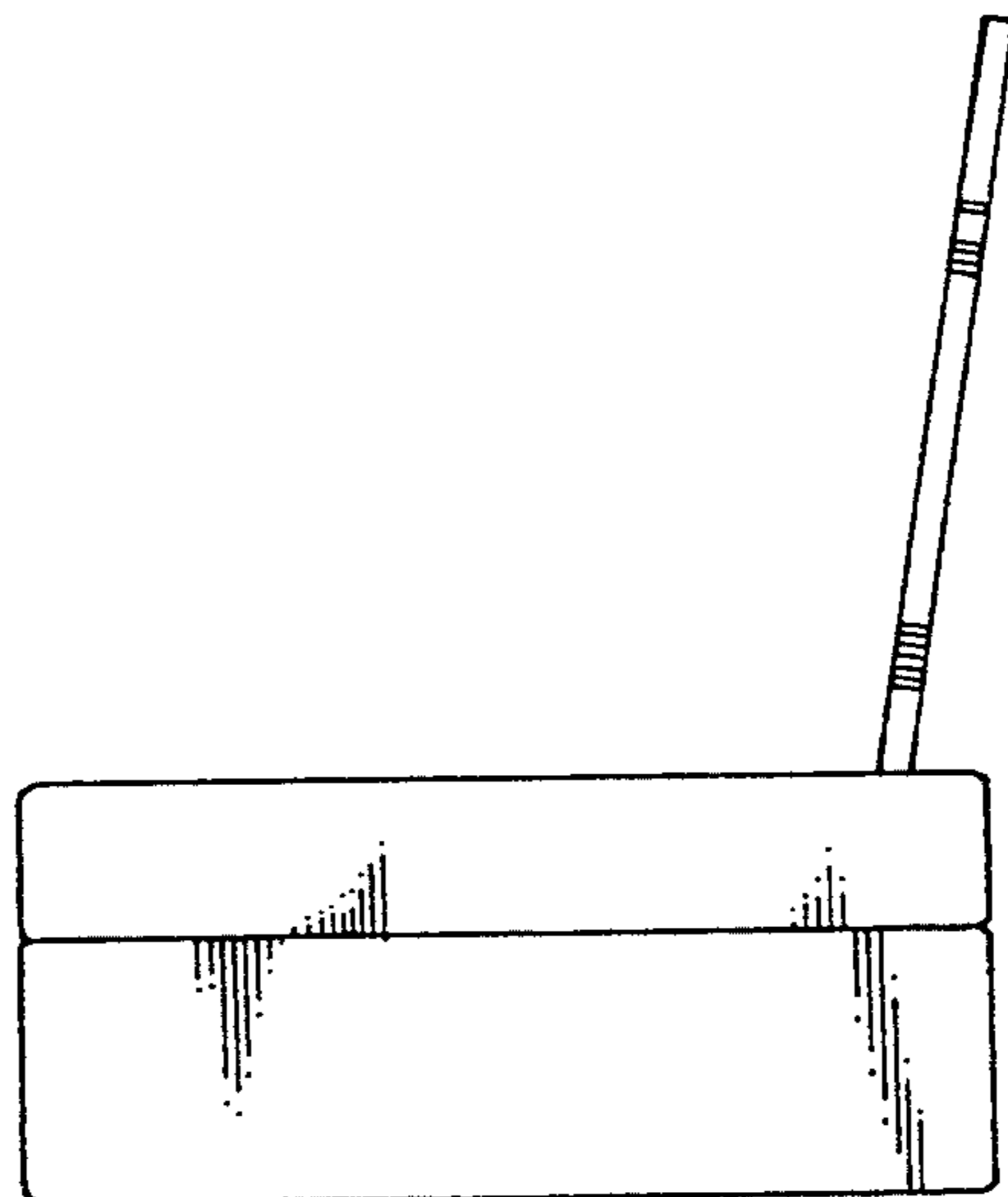


FIG. 8