



US00D352499S

# United States Patent [19] Rak

[11] Patent Number: **Des. 352,499**  
[45] Date of Patent: **\*\* Nov. 15, 1994**

## [54] REMOTE CONNECTOR ASSEMBLY

- [75] Inventor: **Roman P. Rak**, Delta, Canada
- [73] Assignee: **Motorola, Inc.**, Schaumburg, Ill.
- [\*\*] Term: **14 Years**
- [21] Appl. No.: **4,384**
- [22] Filed: **Feb. 4, 1993**
- [52] U.S. Cl. .... **D13/147**
- [58] Field of Search ..... 439/52, 490, 527, 538,  
439/564; D13/142, 147

## [56] References Cited U.S. PATENT DOCUMENTS

- D. 221,083 7/1971 Kahn ..... D13/142
- D. 277,847 3/1985 Huang ..... D13/147 X
- D. 319,427 8/1991 Ichitsubo ..... D13/147
- D. 332,252 1/1993 Kovacik ..... D13/142
- D. 335,485 5/1993 McPate ..... D13/142
- D. 338,873 8/1993 Sue ..... D13/142 X

## FOREIGN PATENT DOCUMENTS

2613313 10/1977 Germany ..... 439/490

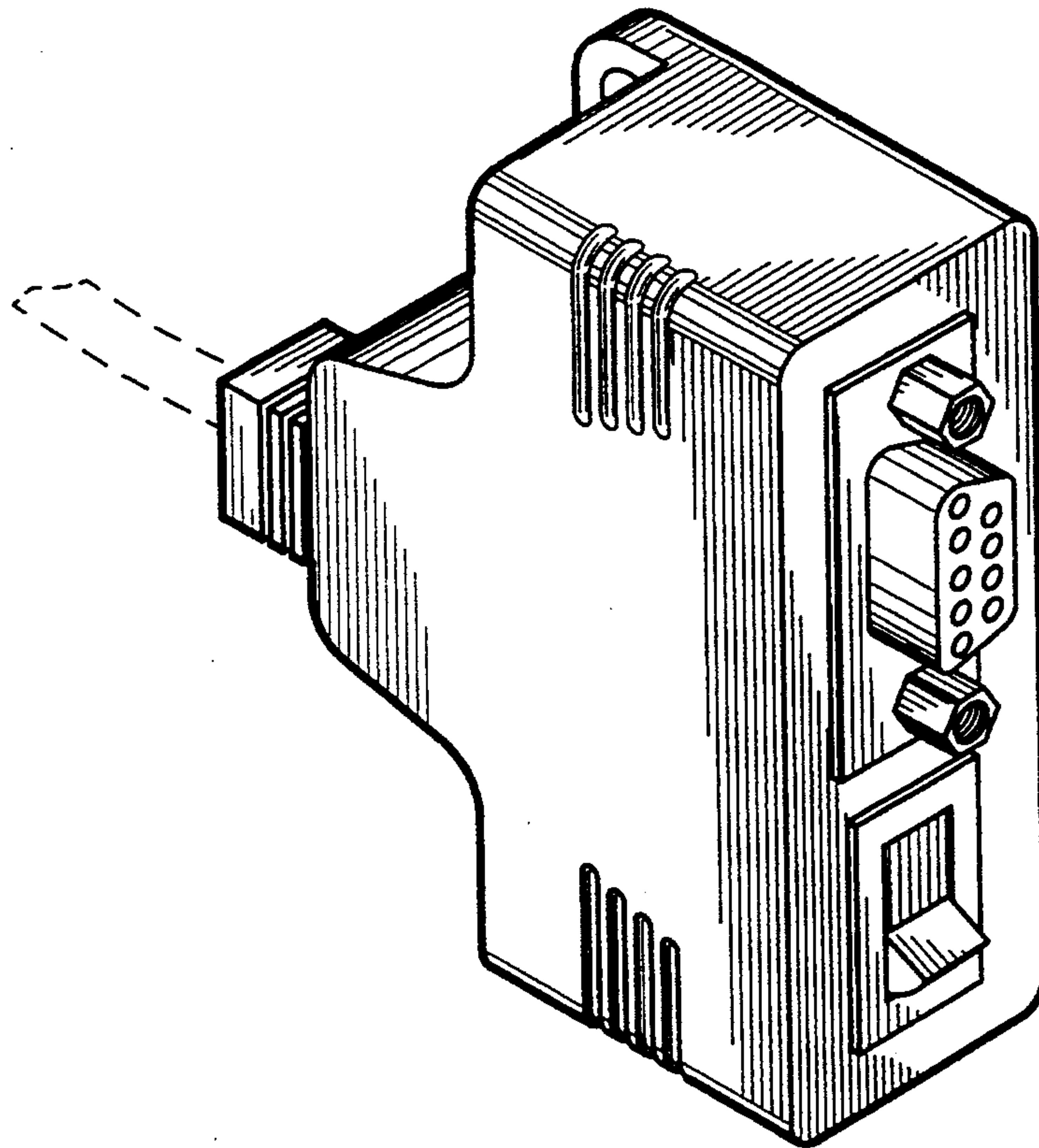
*Primary Examiner*—Wallace R. Burke  
*Assistant Examiner*—Joel Sincavage  
*Attorney, Agent, or Firm*—Donald B. Southard

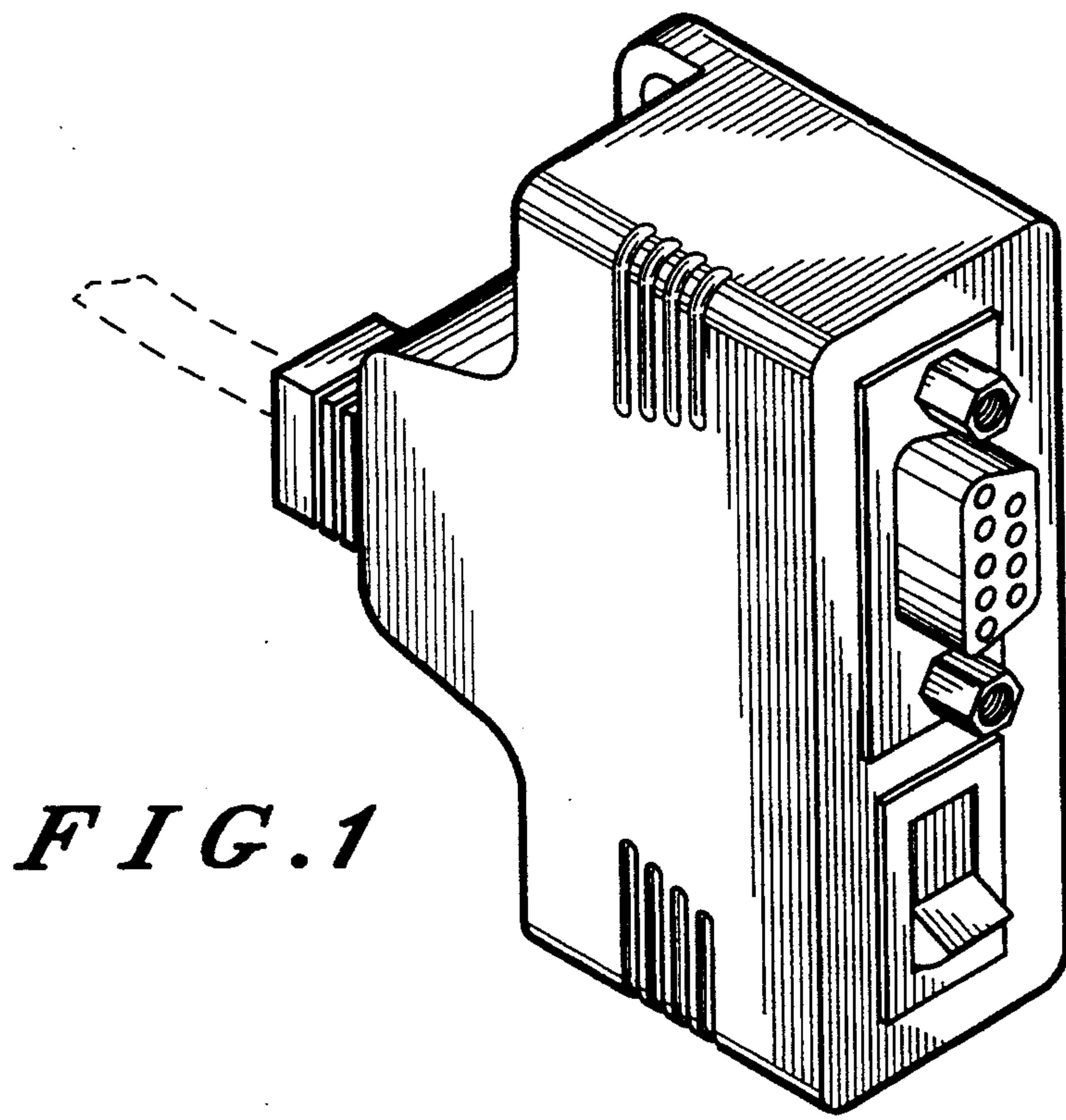
## [57] CLAIM

The ornamental design for a remote connector assembly, as shown and described.

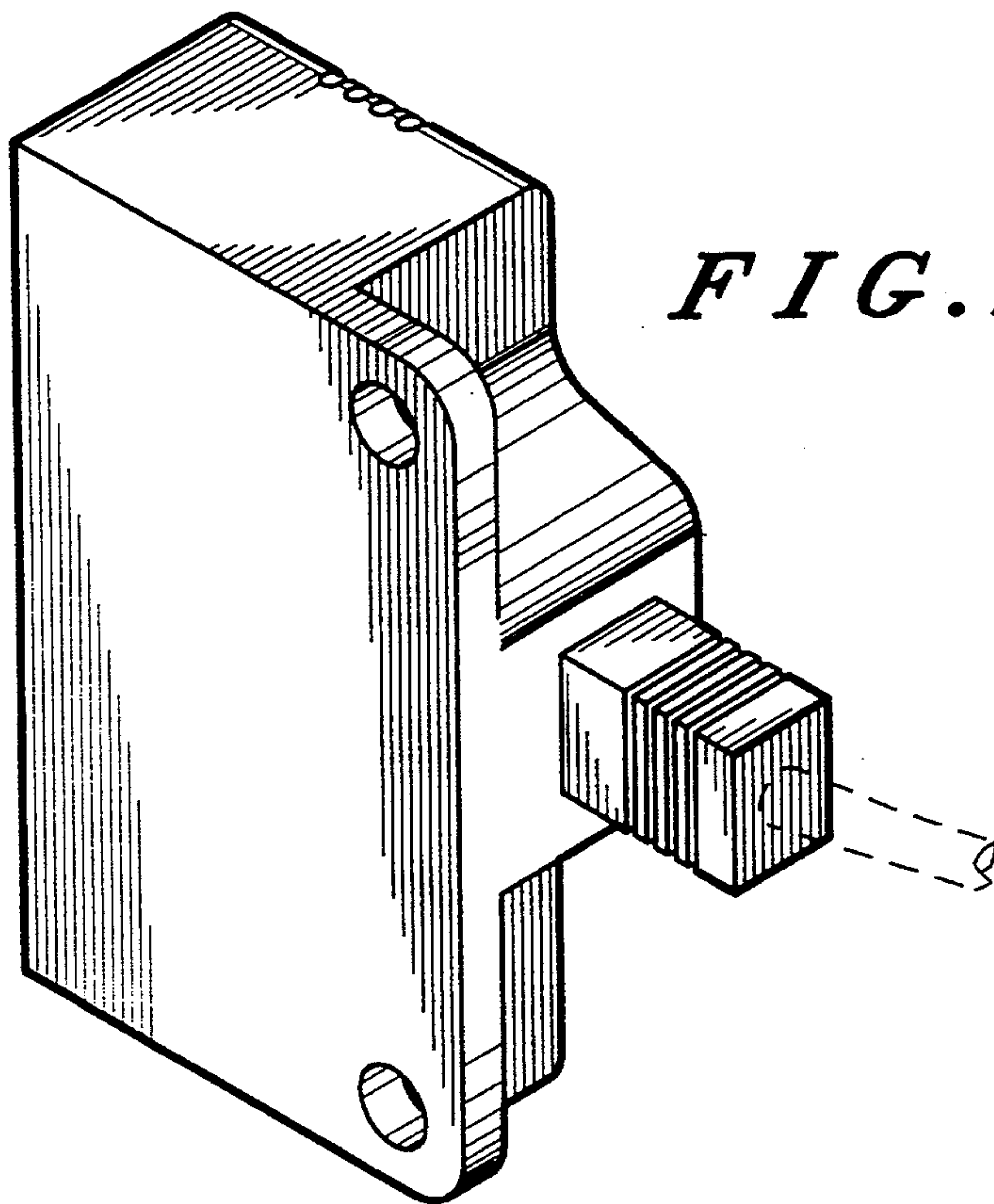
## DESCRIPTION

FIG. 1 is a top front and right side perspective view of a remote connector assembly showing my new design; and, FIG. 2 is a bottom, rear and left side perspective view thereof. The broken line showing of the conductor cable is included for the purpose of illustrating environmental structure only and forms no part of the claimed design.





*FIG. 1*



*FIG. 2*