



US00D352496S

United States Patent [19]

[11] Patent Number: **Des. 352,496**

Gower

[45] Date of Patent: **** Nov. 15, 1994**

[54] **STORAGE TRUNK FOR A TRUCK BED**

[75] Inventor: **Jerald Gower, Beaverton, Mich.**

[73] Assignee: **Durakon Industries, Inc., Lapeer, Mich.**

[**] Term: **14 Years**

[21] Appl. No.: **1,539**

[22] Filed: **Nov. 17, 1992**

[52] U.S. Cl. **D12/423**

[58] Field of Search **296/37.1, 37.6; 224/273, 42.42, 42.11; D12/157**

[56] **References Cited**

U.S. PATENT DOCUMENTS

D. 261,499	10/1981	Sauber	D12/157
D. 294,935	3/1988	Grossman	D12/157
4,728,017	3/1988	Mullican	296/37.6

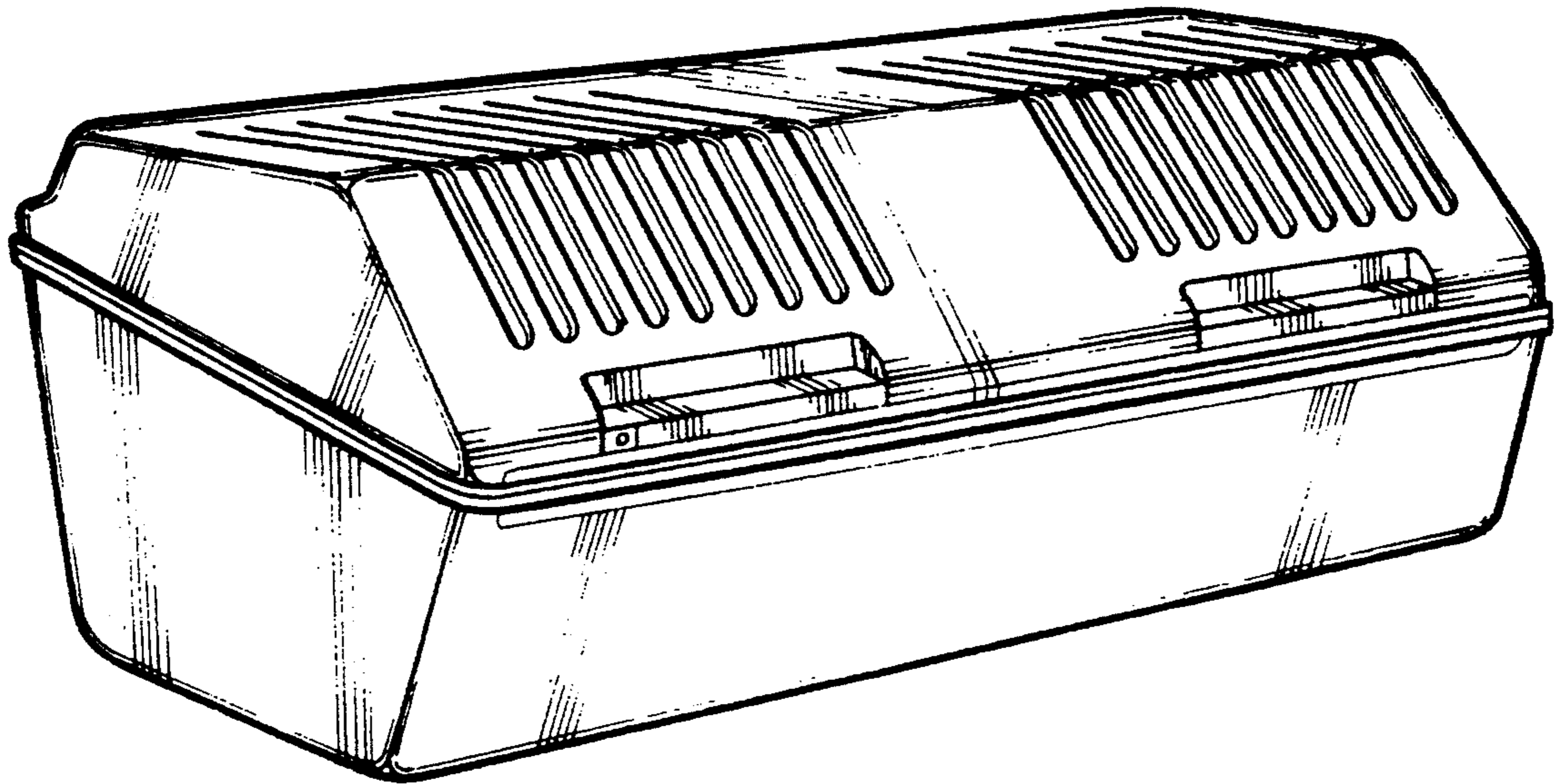
Primary Examiner—James M. Gandy
Attorney, Agent, or Firm—Reising, Ethington, Barnard, Perry, & Milton

[57] **CLAIM**

The ornamental design for a storage trunk for a truck bed, as shown and described.

DESCRIPTION

FIG. 1 is a perspective view of a storage trunk for a truck bed showing my new design; FIG. 2 is a front elevational view of the storage trunk; FIG. 3 is a rear elevational view of the storage trunk; FIG. 4 is a right side elevational view of the storage trunk; FIG. 5 is a left side elevational view of the storage trunk; FIG. 6 is a top view of the storage trunk; and, FIG. 7 is a bottom view of the storage trunk.



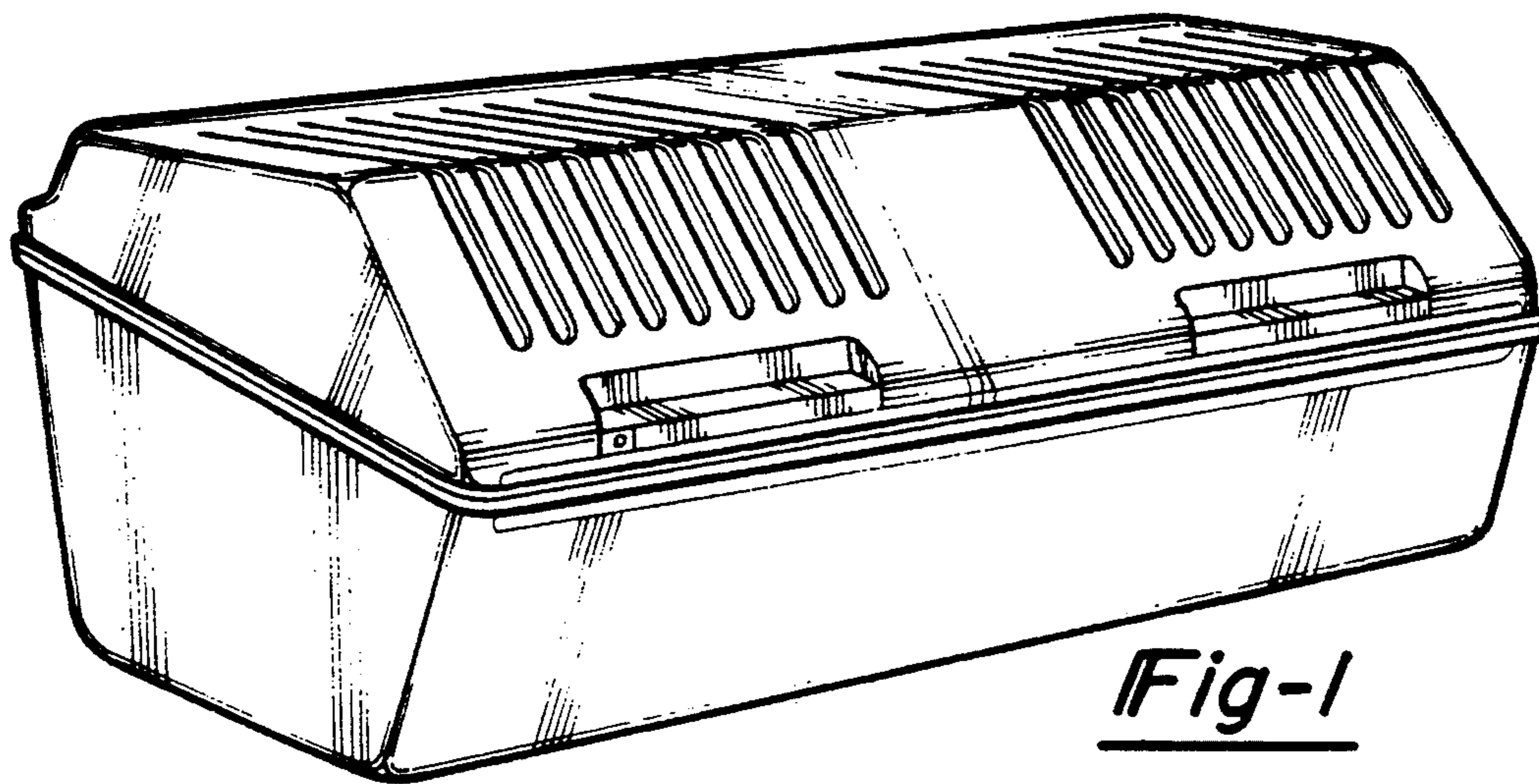


Fig-1

Fig-2

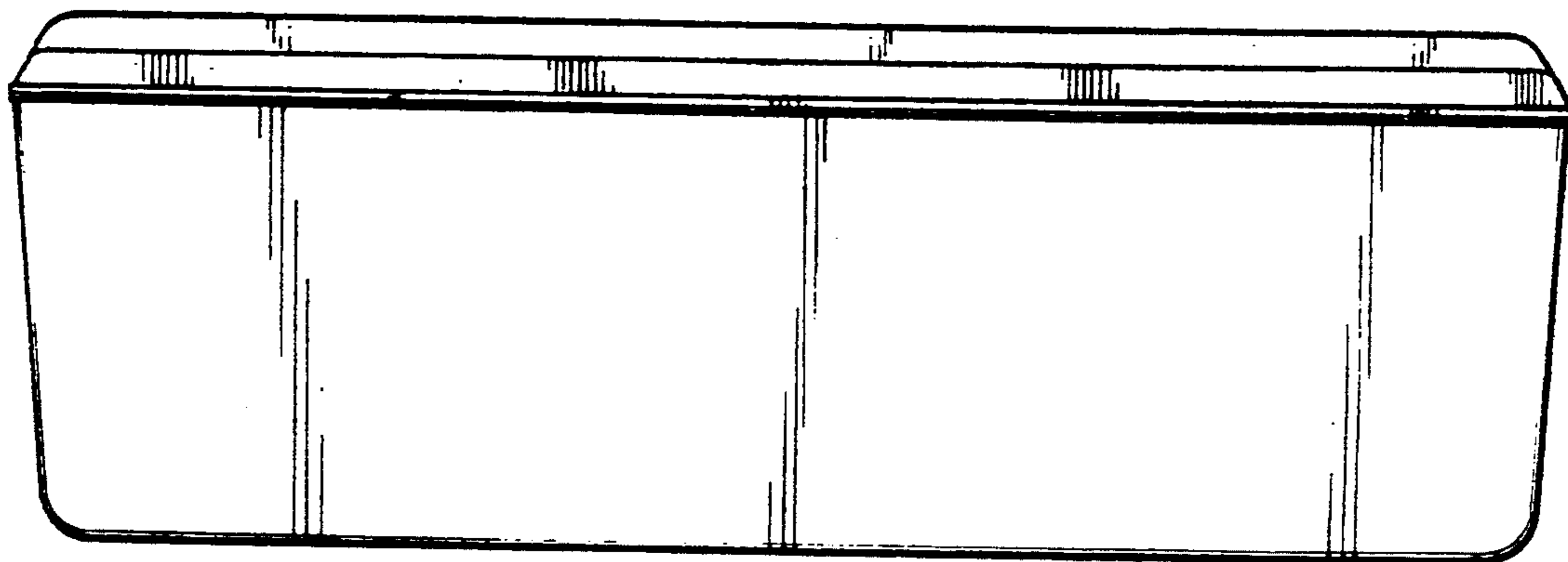
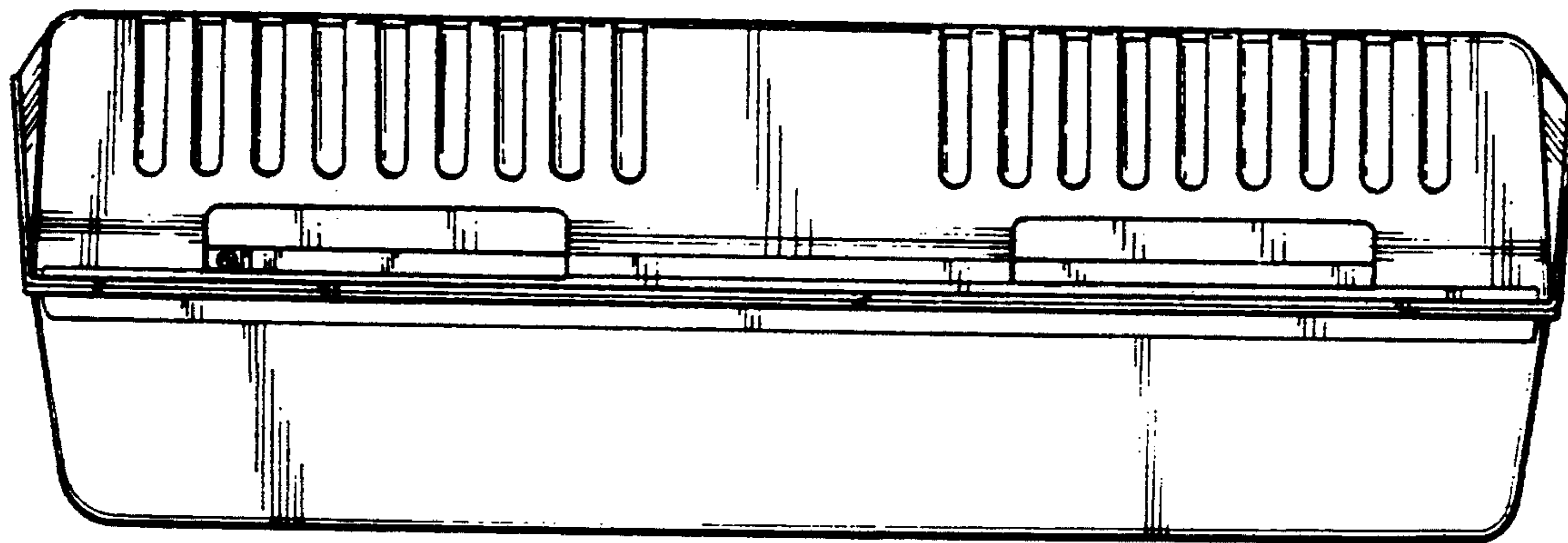


Fig-3

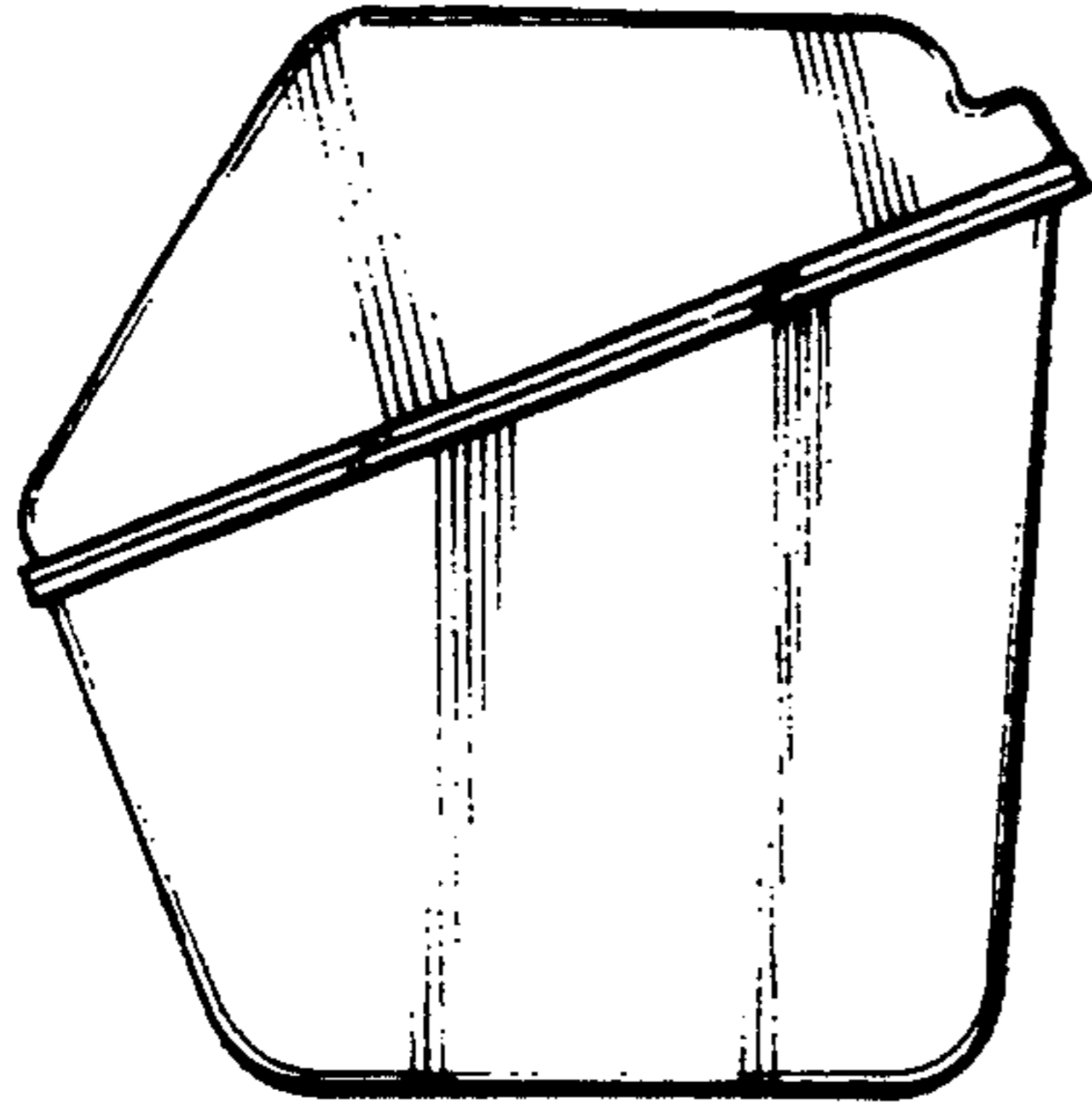


Fig-4

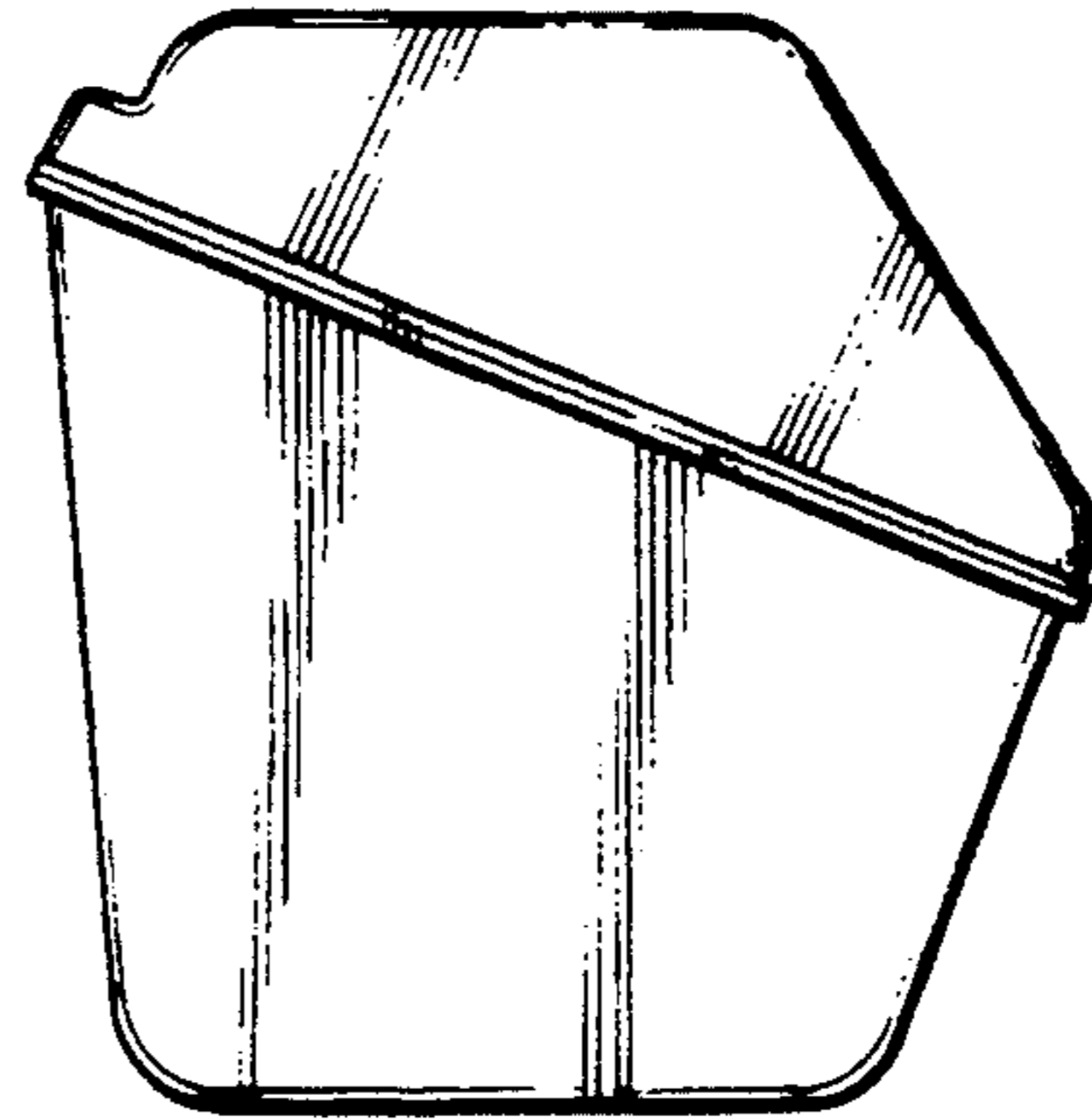


Fig-5

Fig-6

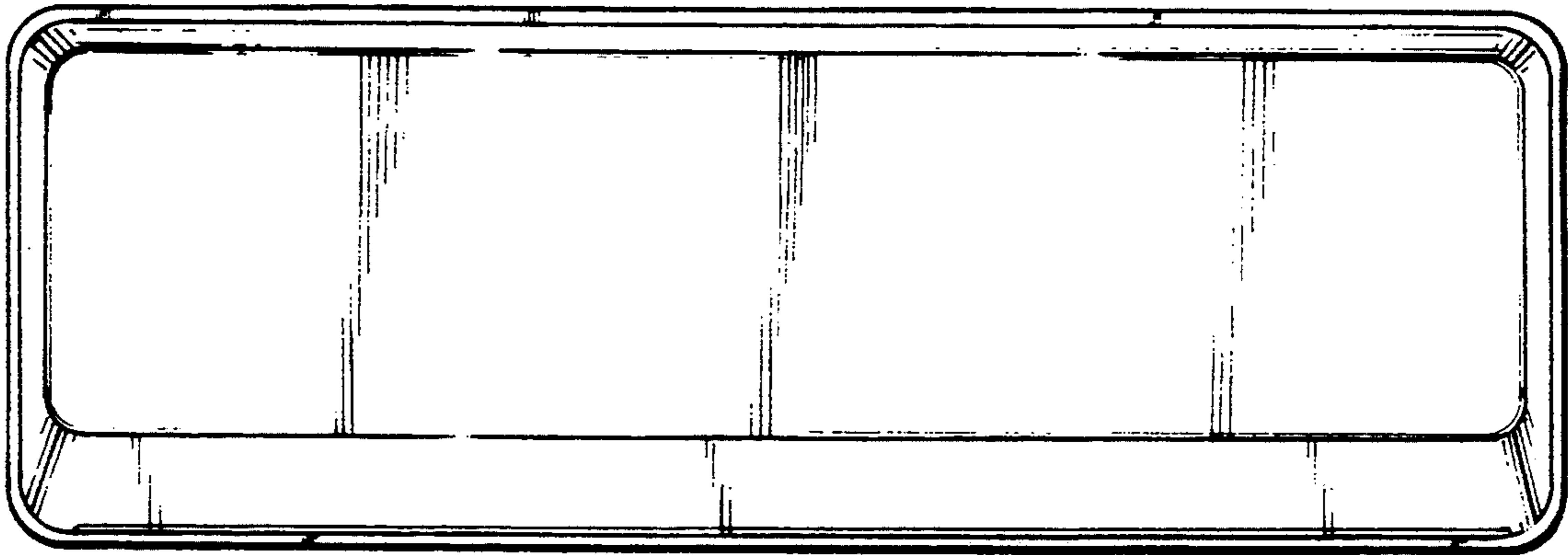
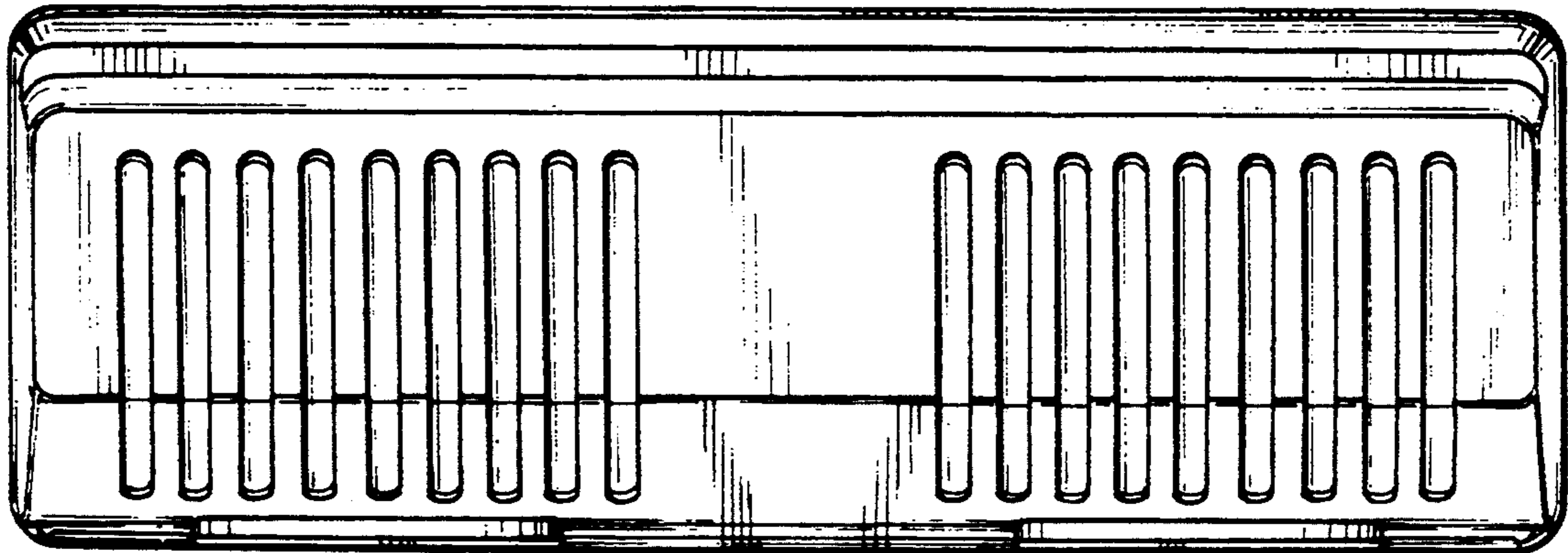


Fig-7