



US00D352495S

United States Patent [19]

[11] Patent Number: **Des. 352,495**

Mawhinney et al.

[45] Date of Patent: **** Nov. 15, 1994**

[54] **VEHICLE CONSOLE**

4,300,709 11/1981 Page, Jr. 224/275
4,809,897 3/1989 Wright, Jr. 224/282

[75] Inventors: **Gordon N. Mawhinney, Powell;**
Douglas G. Covell, Columbus, both of
Ohio

FOREIGN PATENT DOCUMENTS

0164821 10/1982 Japan .

[73] Assignee: **Lancaster Colony Corporation,**
Columbus, Ohio

OTHER PUBLICATIONS

[**] Term: **14 Years**

J. C. Whitney & Co. Catalog, No. 540J , ©1992, p. 91,
the custom-fit floor consoles A, B & C.

[21] Appl. No.: **9,705**

Rubber Queen, Product Brochure, approx. 1991.

[22] Filed: **Jun. 18, 1993**

Contico Automotive product sheet, 1985 (1 page).

[52] U.S. Cl. **D12/419**

Allied Plastics Inc. product sheet, approx. 1989 (1
page).

[58] Field of Search 224/42.42, 275, 24.11;
296/37.8, 37.13-37.16; 248/311.1; D12/421,
419, 424, 420

Allied Plastics, Inc., product sheet, 1990 (1 page).

Allied Plastics "Commuter Classic" brochure, 1990 (2
pages).

[56] **References Cited**

Primary Examiner—Wallace R. Burke

Assistant Examiner—Melody Brown

Attorney, Agent, or Firm—Dinsmore & Shohl

U.S. PATENT DOCUMENTS

D. 198,538	6/1964	Stricklin	D44/10
D. 232,871	9/1974	George et al.	D87/1
D. 251,229	3/1979	Wooters	D12/420
D. 257,113	9/1980	McCaffrey	D12/420
D. 264,525	5/1982	Page, Jr.	D12/420
D. 267,444	1/1983	Ruxton	D12/419
D. 271,442	11/1983	Lehner	D12/419
D. 271,634	12/1983	Rockwell	D12/419
D. 304,263	10/1989	Mull	D12/419
D. 307,355	4/1990	Page, Jr.	D12/420
D. 317,674	6/1991	Smith	D12/419
D. 327,364	6/1992	Mankey	D12/419
D. 327,774	7/1992	Li	D12/420
D. 334,094	3/1993	Fried	D12/419
3,304,143	2/1967	Connell	312/231
4,106,829	8/1978	Dolle et al.	312/235

[57] **CLAIM**

The ornamental design for a vehicle console, as shown.

DESCRIPTION

FIG. 1 is a front, right side top perspective view of a
vehicle console embodying our new design;

FIG. 2 is a top plan view thereof;

FIG. 3 is a bottom plan view thereof;

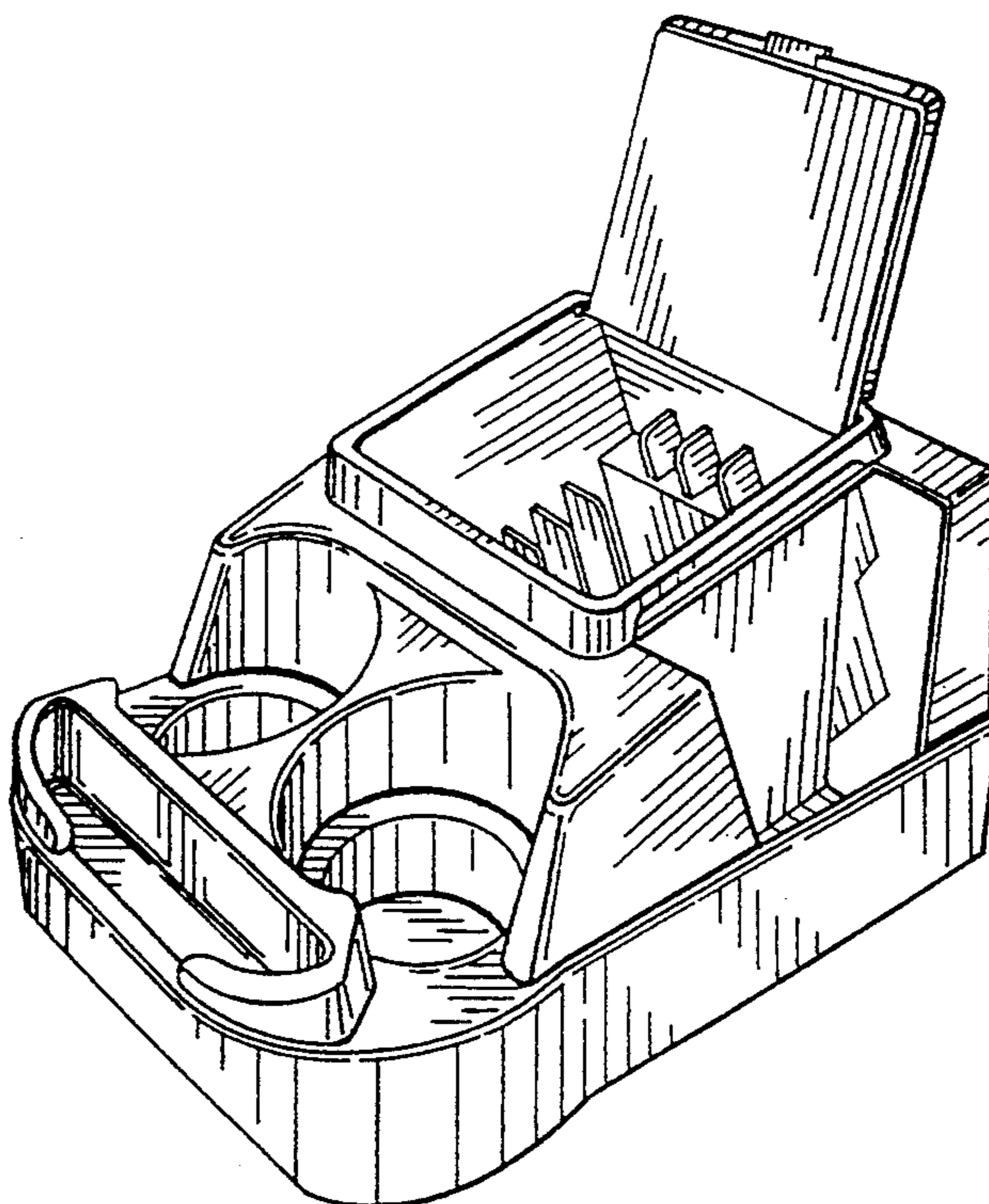
FIG. 4 is a cross-sectional view taken along the line
4-4 of FIG. 2;

FIG. 5 is a left side elevational view thereof;

FIG. 6 is a right side elevational view thereof;

FIG. 7 is a front elevational view thereof; and,

FIG. 8 is a rear elevational view thereof.



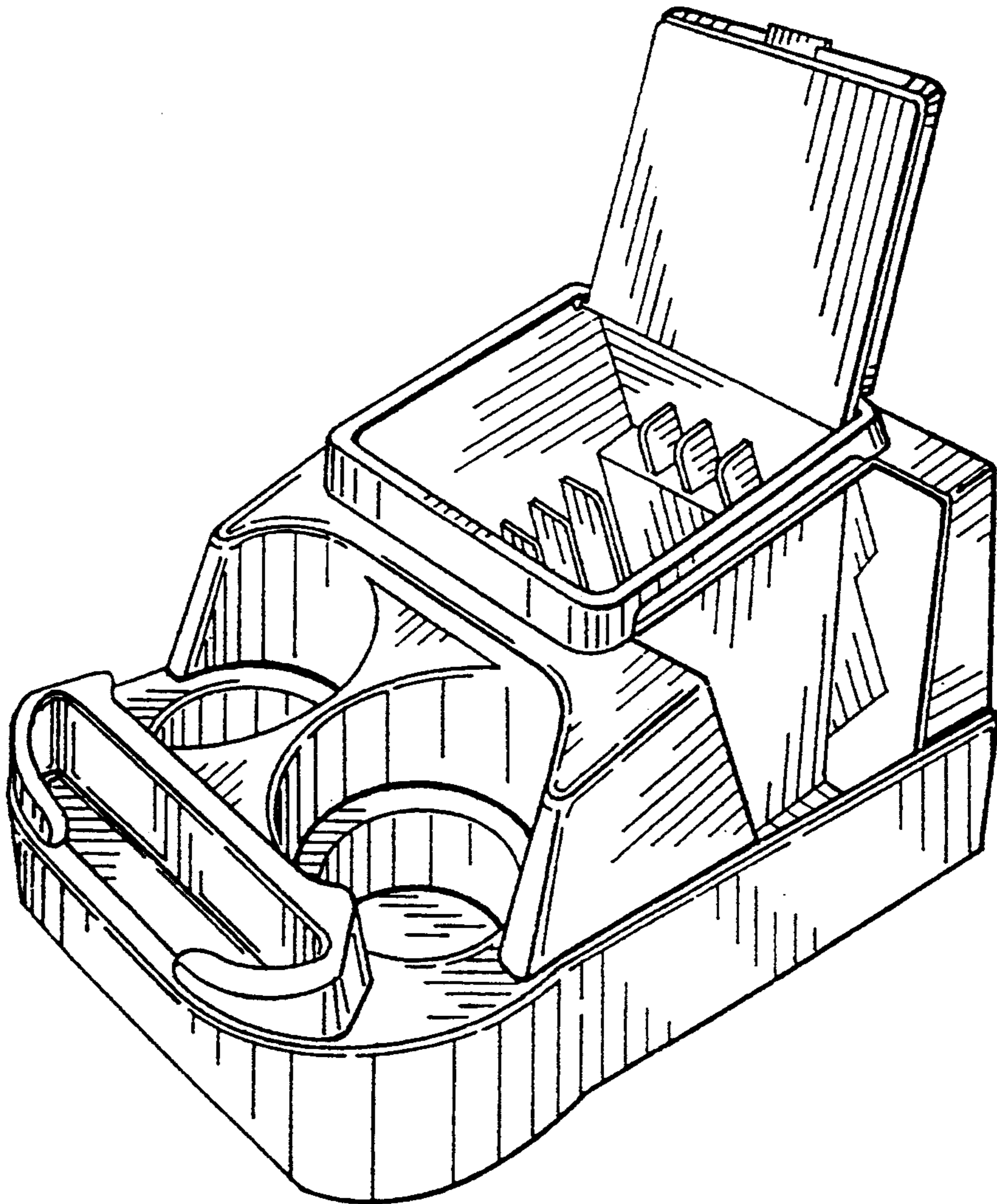


FIG. 1

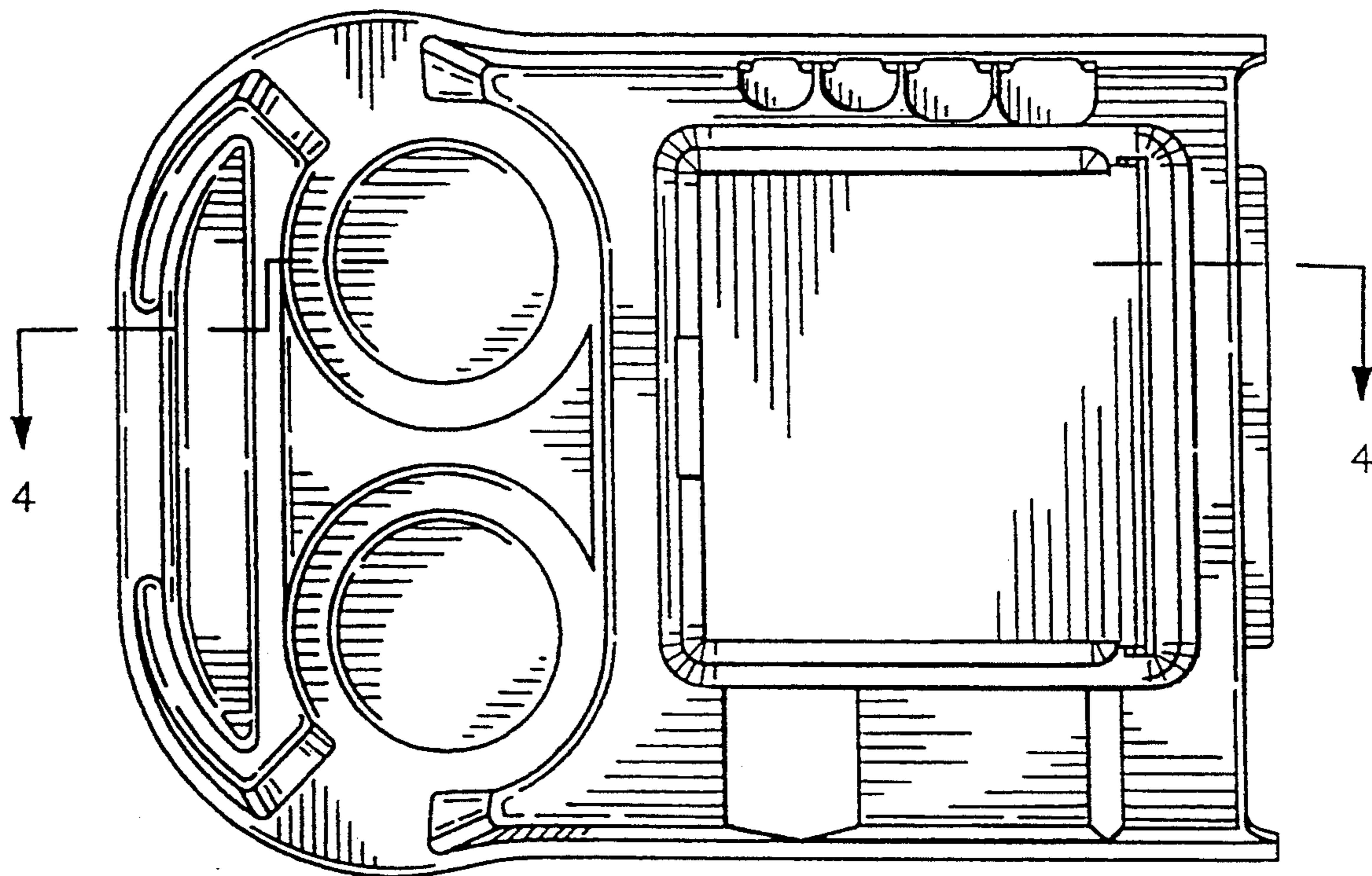


FIG. 2

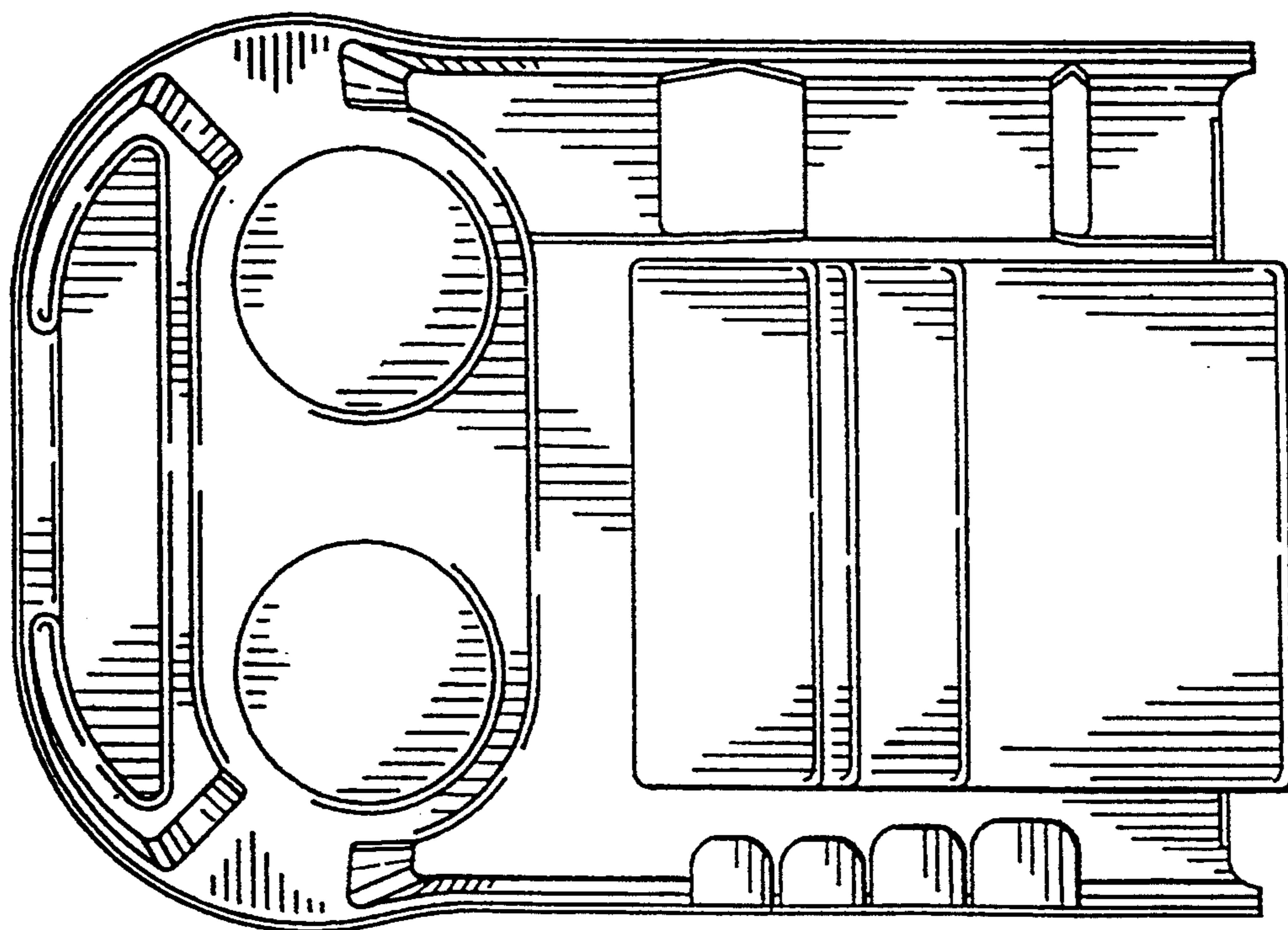


FIG. 3

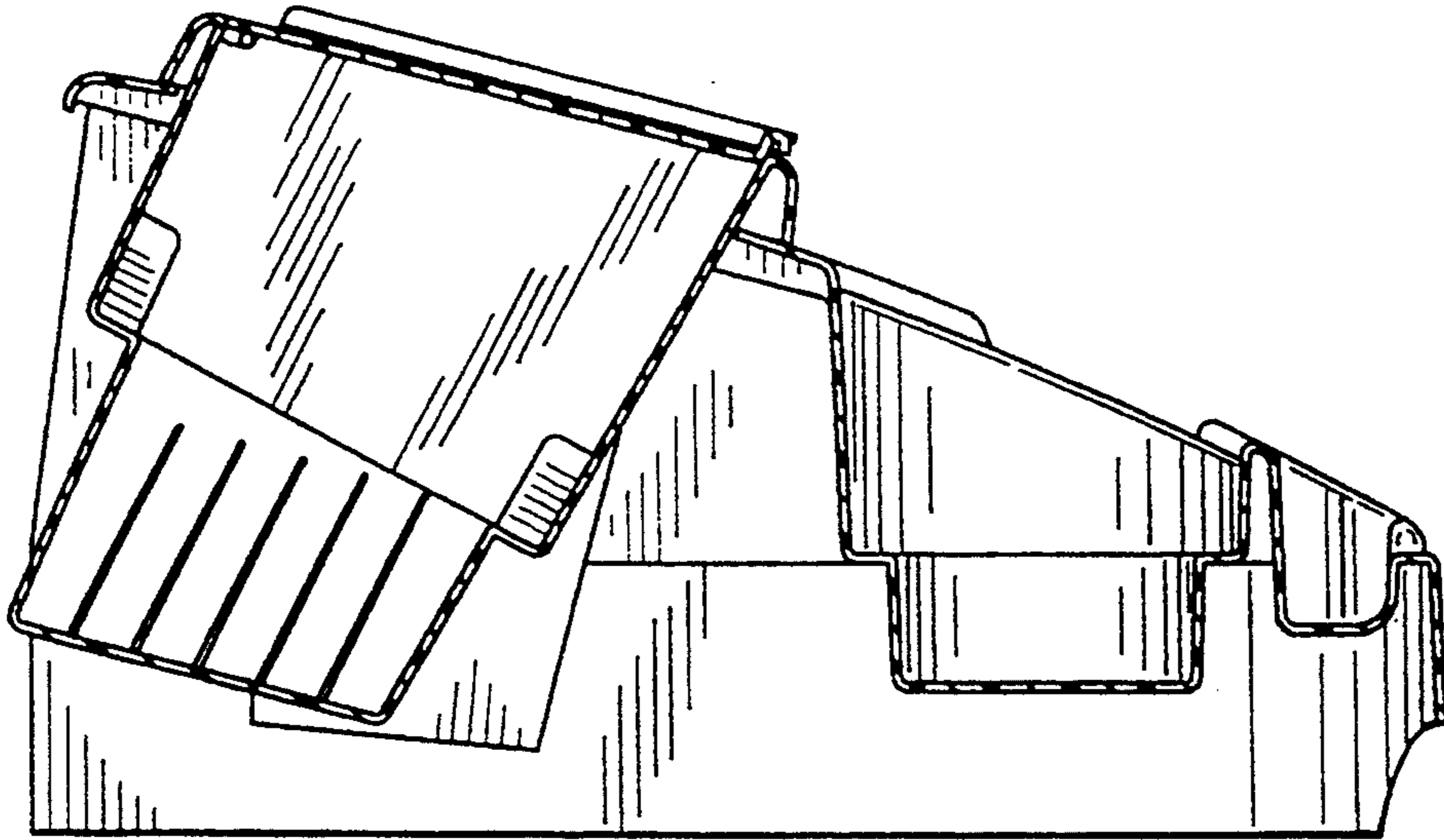


FIG. 4

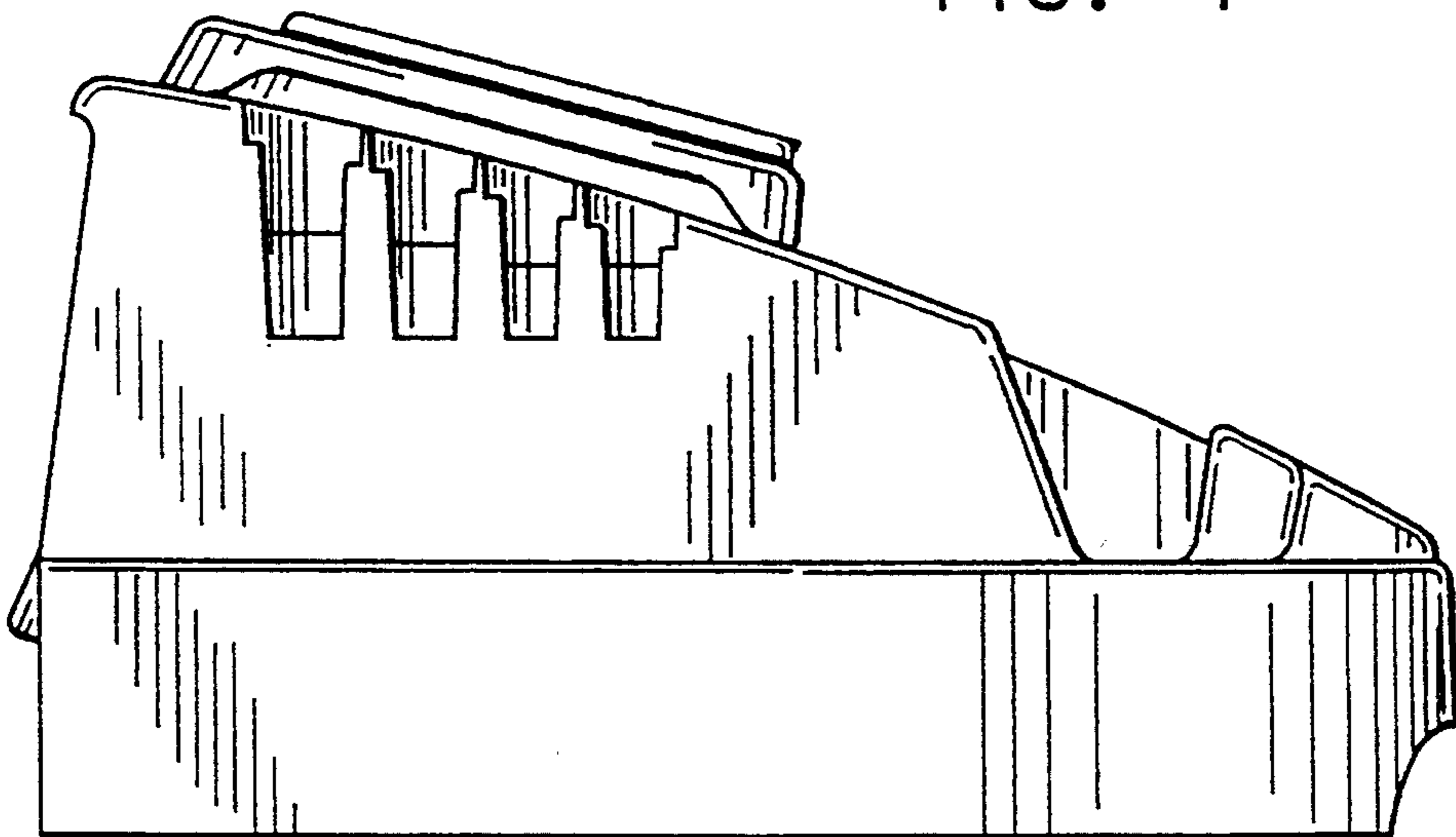


FIG. 5

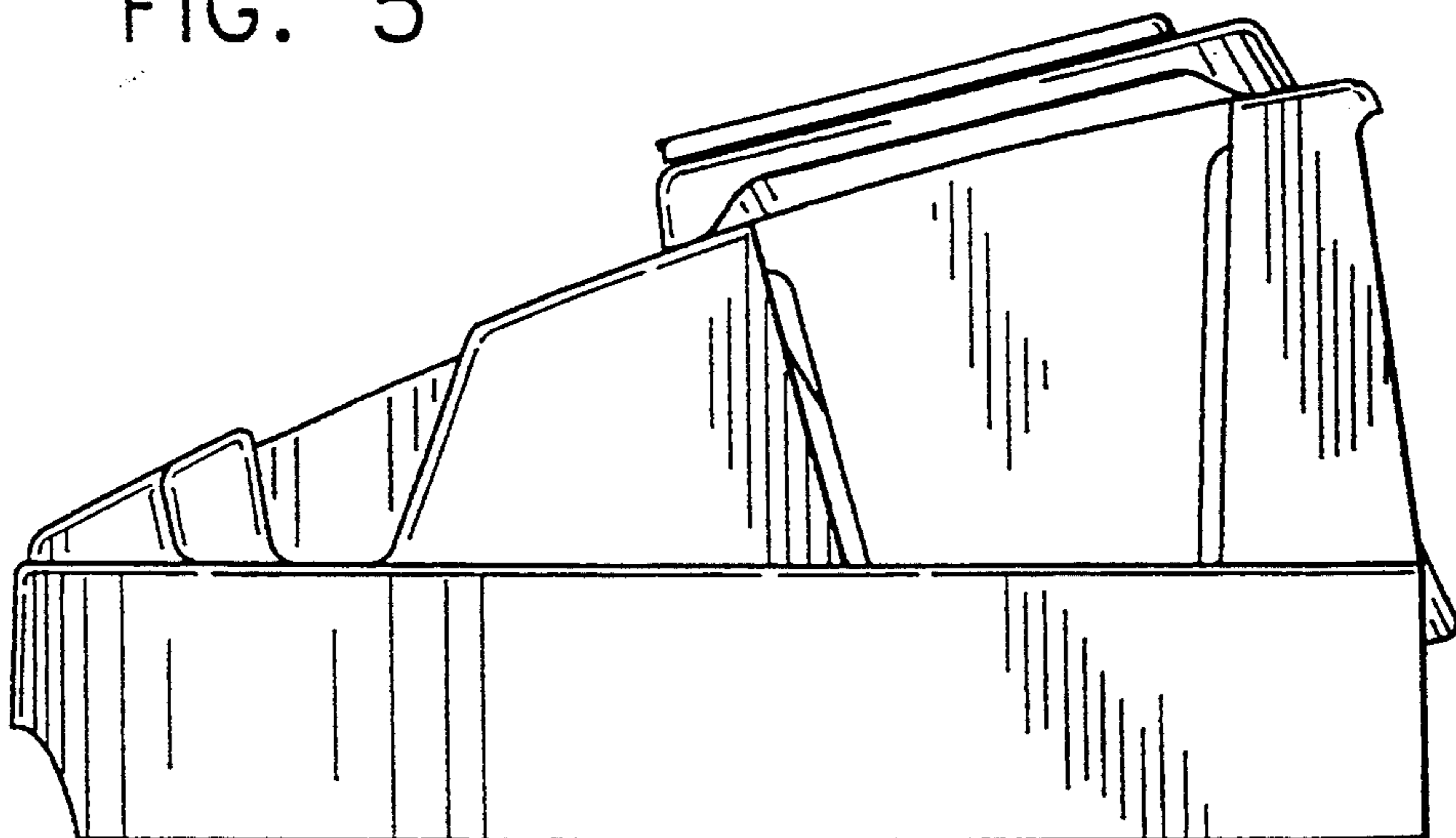


FIG. 6

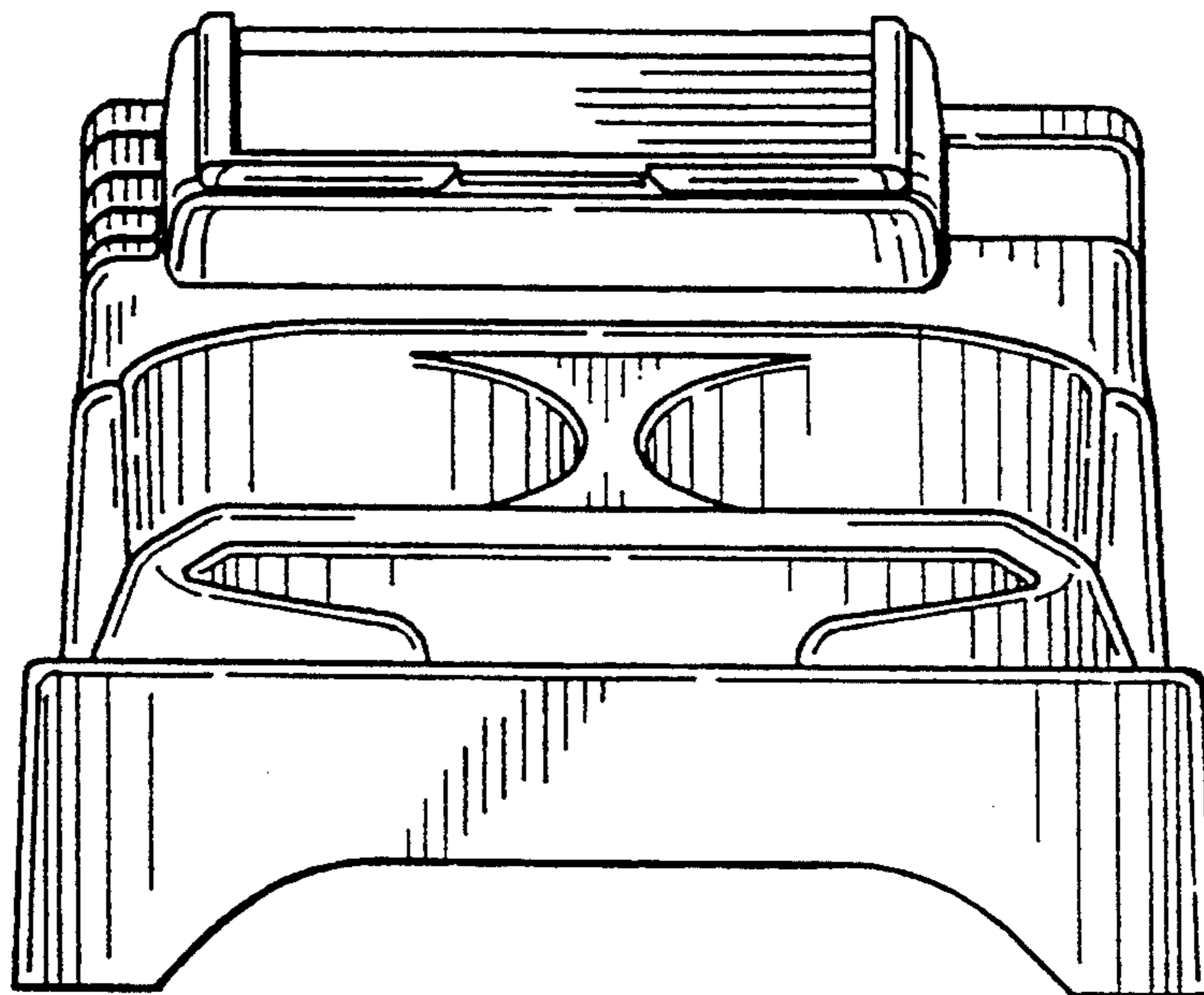


FIG. 7

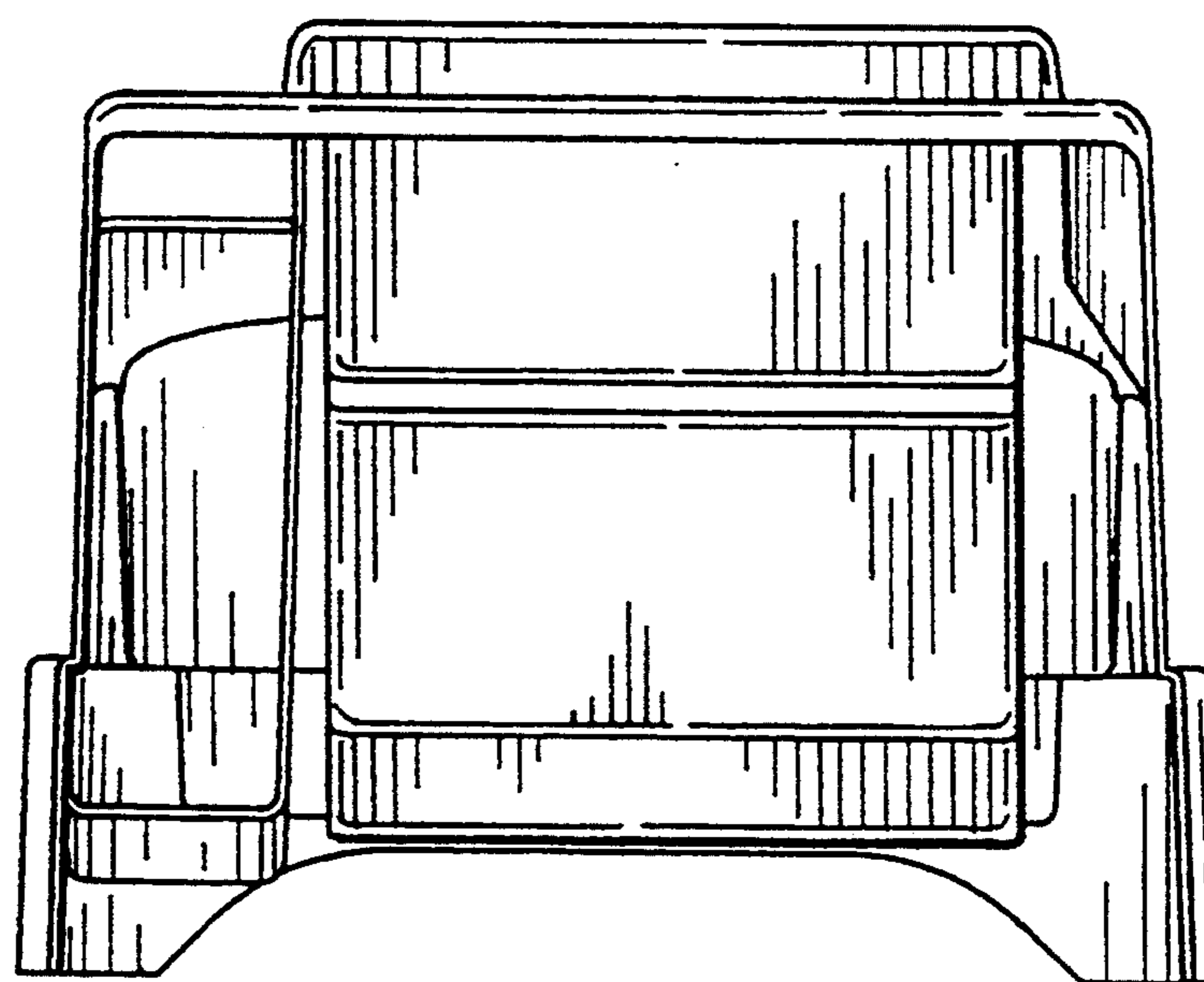


FIG. 8