



US00D352480S

United States Patent [19]

[11] Patent Number: **Des. 352,480**

Carlson

[45] Date of Patent: **** Nov. 15, 1994**

[54] **PLANTER**

[75] Inventor: **Arthur R. Carlson, Rowville, Australia**

[73] Assignee: **Bemis Manufacturing Company, Sheboygan Falls, Wis.**

[**] Term: **14 Years**

[21] Appl. No.: **11,838**

[22] Filed: **Aug. 13, 1993**

[52] U.S. Cl. **D11/153; D11/143**

[58] Field of Search **D6/553; D11/153, 152, D11/155, 156**

90289	4/1985	Australia .
90291	4/1985	Australia .
94178	11/1986	Australia .
94632	1/1987	Australia .
94633	1/1987	Australia .
95997	3/1987	Australia .
96249	4/1987	Australia .
96250	4/1987	Australia .
97364	8/1987	Australia .
98993	12/1987	Australia .
99707	2/1988	Australia .
15065	7/1977	New Zealand .
15178	10/1977	New Zealand .
15180	10/1977	New Zealand .
15245	11/1977	New Zealand .
15246	11/1977	New Zealand .
18581	9/1983	New Zealand .
18582	9/1983	New Zealand .

[56] **References Cited**

U.S. PATENT DOCUMENTS

D. 104,498	9/1963	Miller	D11/143
D. 255,339	6/1980	Christian	D11/152
D. 288,793	3/1987	Carlson	D11/153
D. 288,794	3/1987	Carlson	D11/153
D. 296,425	6/1988	Carlson	D11/152
D. 297,319	8/1988	Carlson	D11/152
D. 300,732	4/1989	Carlson	D11/152
D. 313,203	12/1990	Carlson	D11/153

FOREIGN PATENT DOCUMENTS

69505	6/1976	Australia .
69915	8/1976	Australia .
78936	9/1979	Australia .
79915	12/1979	Australia .
79916	12/1979	Australia .
79917	12/1979	Australia .
81174	6/1980	Australia .
81777	8/1980	Australia .
81778	8/1980	Australia .
83115	1/1981	Australia .
83116	1/1981	Australia .
90287	4/1985	Australia .

OTHER PUBLICATIONS

Poppytrail Pottery Catalog, p. 15, Metlox, Mfg. Co.

Primary Examiner—Alan P. Douglas

Assistant Examiner—S. Snapp

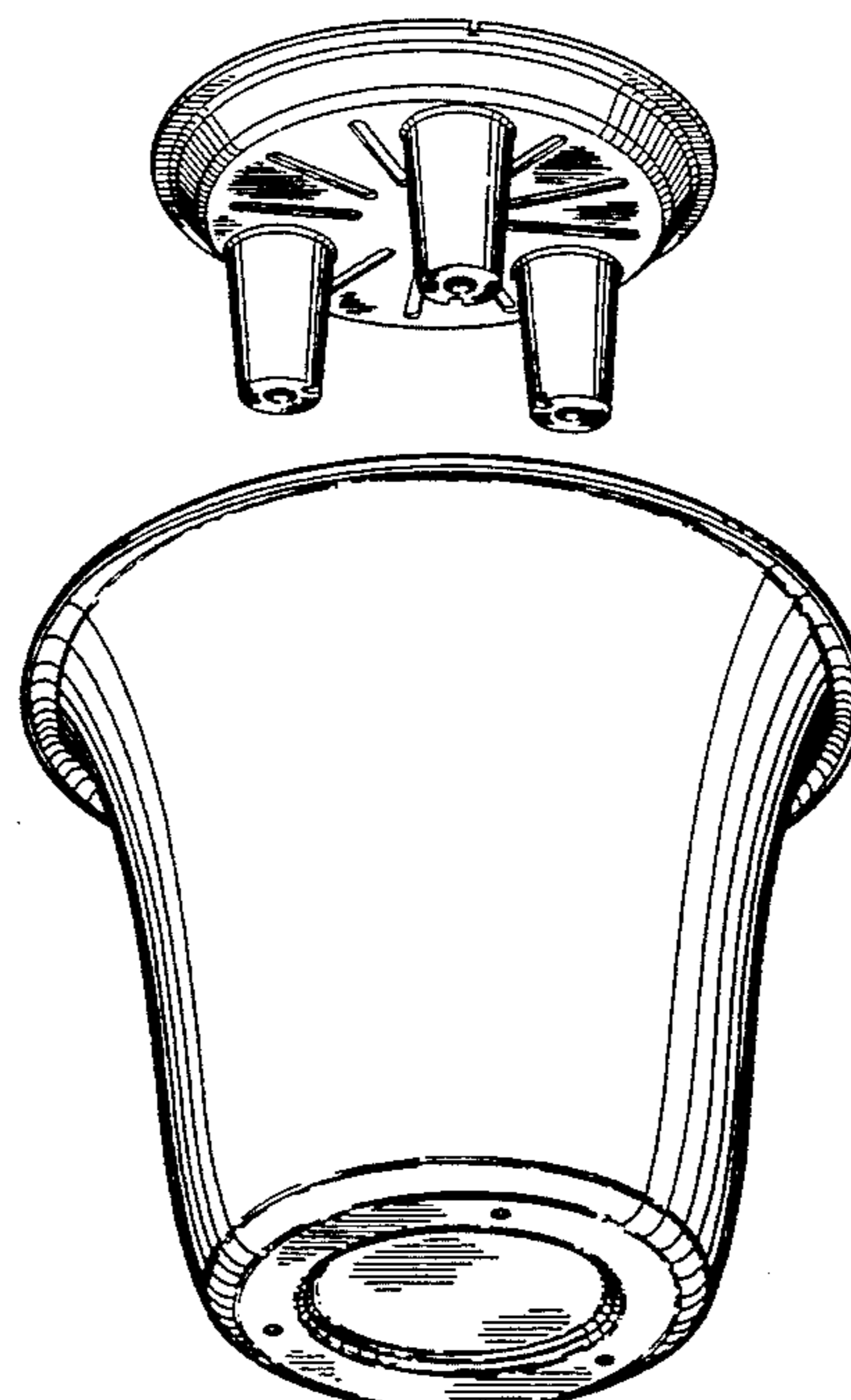
Attorney, Agent, or Firm—Michael, Best & Friedrich

[57] **CLAIM**

The ornamental design for a planter, as shown.

DESCRIPTION

FIG. 1 is a perspective view from the front and above; FIG. 2 is a perspective view from beneath with parts separated; FIG. 3 is a front view; FIG. 4 is a top plan view; FIG. 5 is a vertical cross-sectional view along the lines of and in the direction of arrows 5—5 as shown on FIG. 3; FIG. 6 is a plan view of the pot with the plate removed; FIG. 7 is a perspective view of the plate; and, FIG. 8 is a side view of the plate.



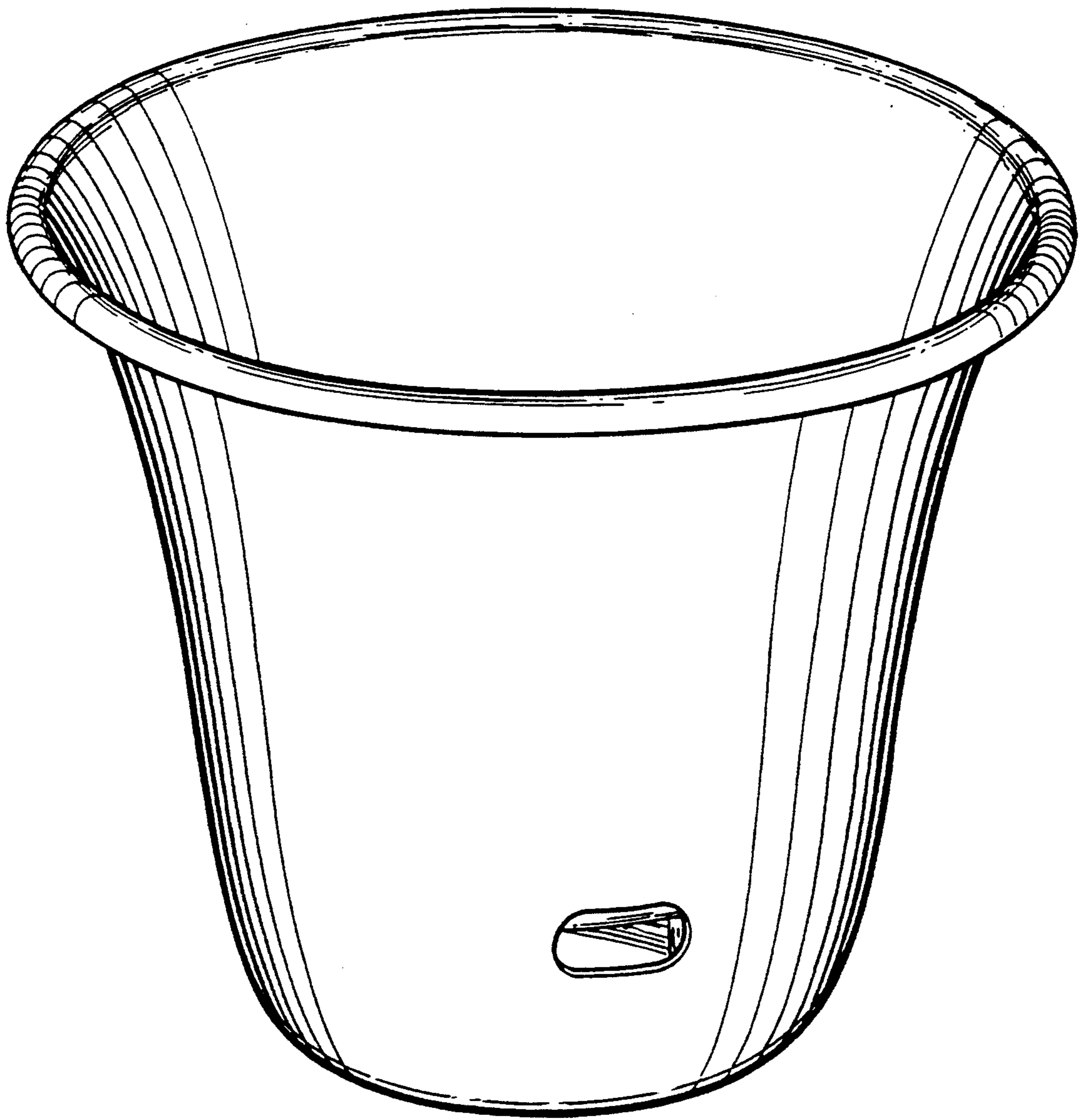


FIG. 1.

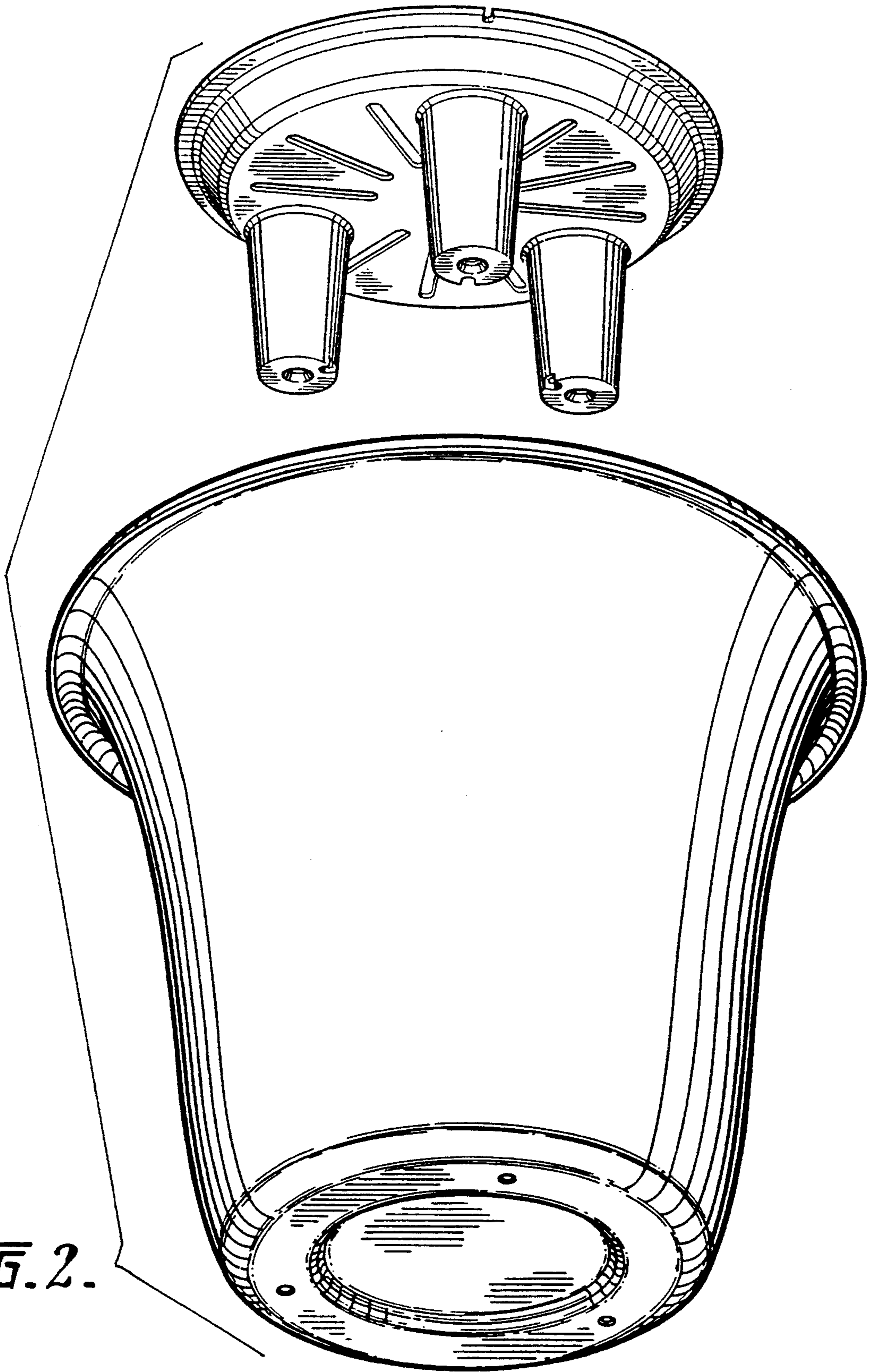


FIG. 2.

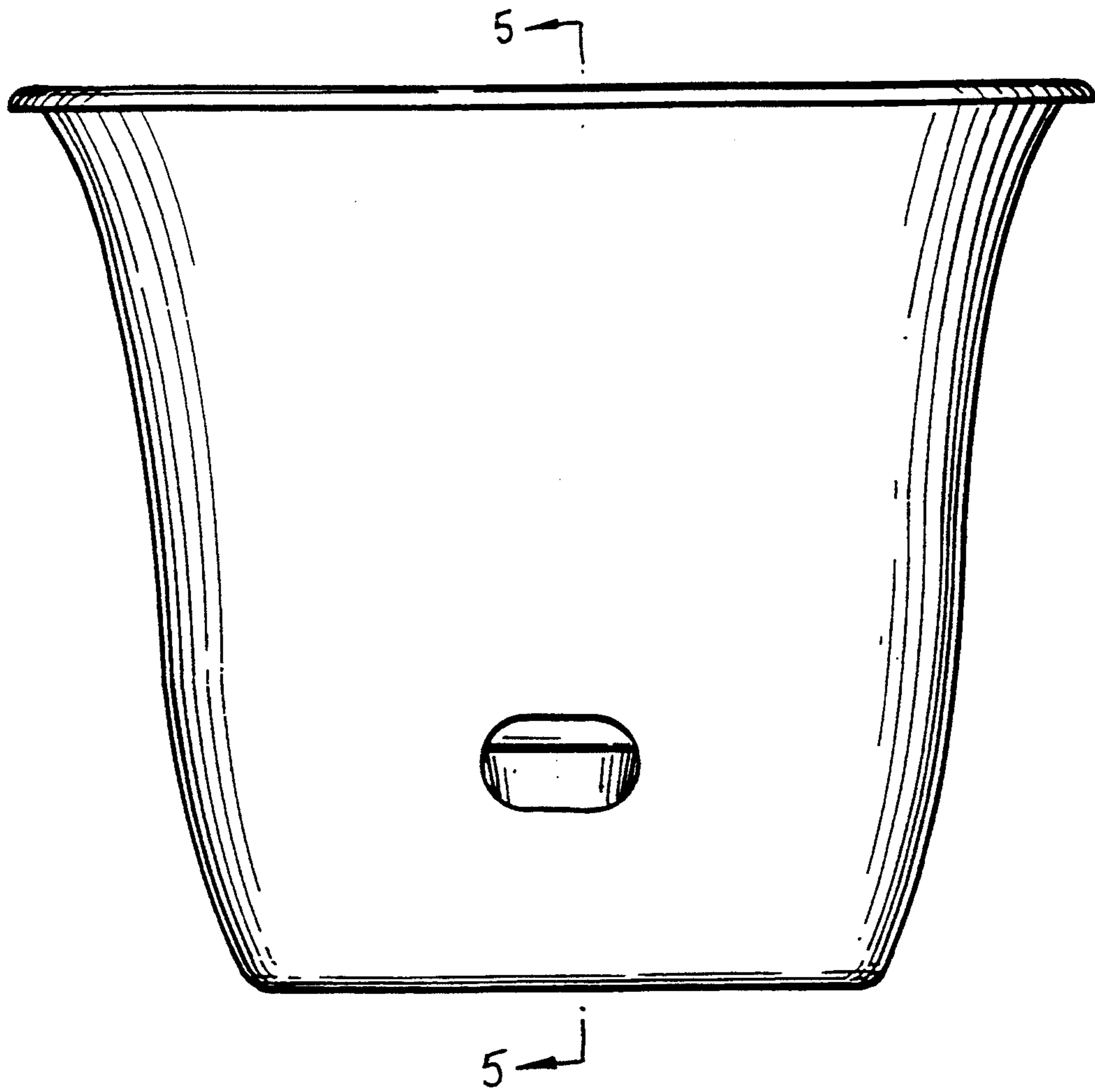


FIG. 3.

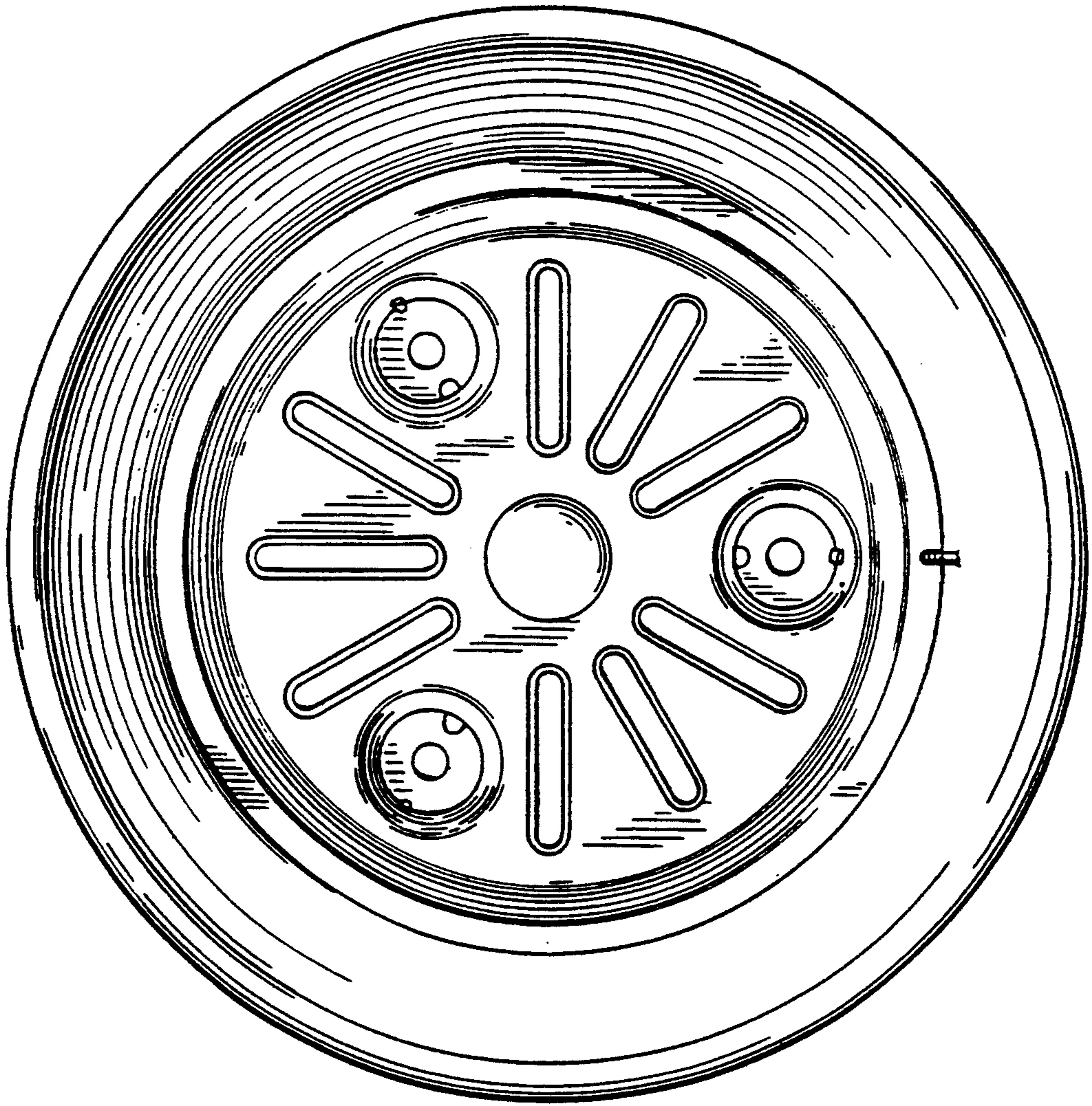


FIG. 4.

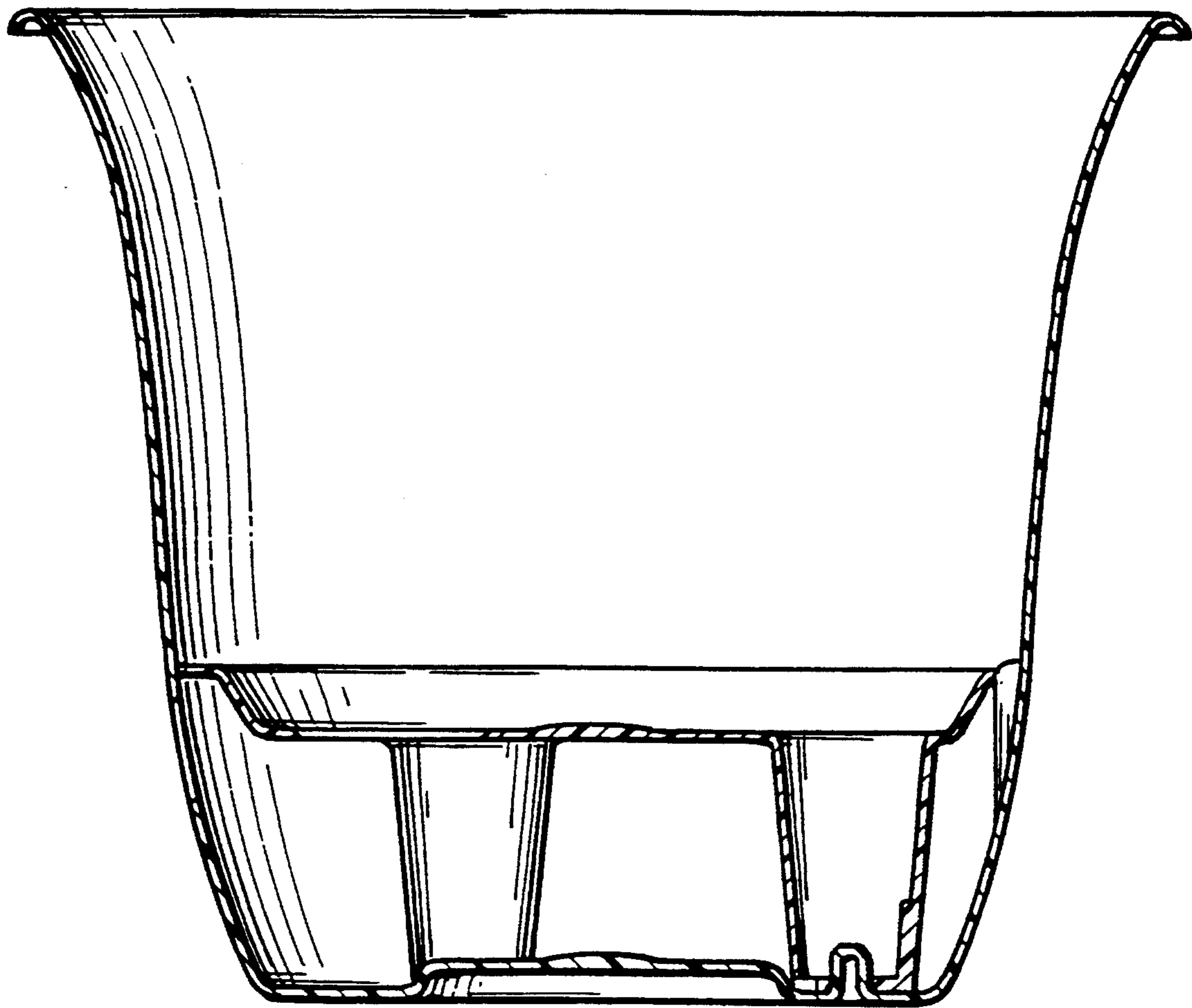


FIG. 5.

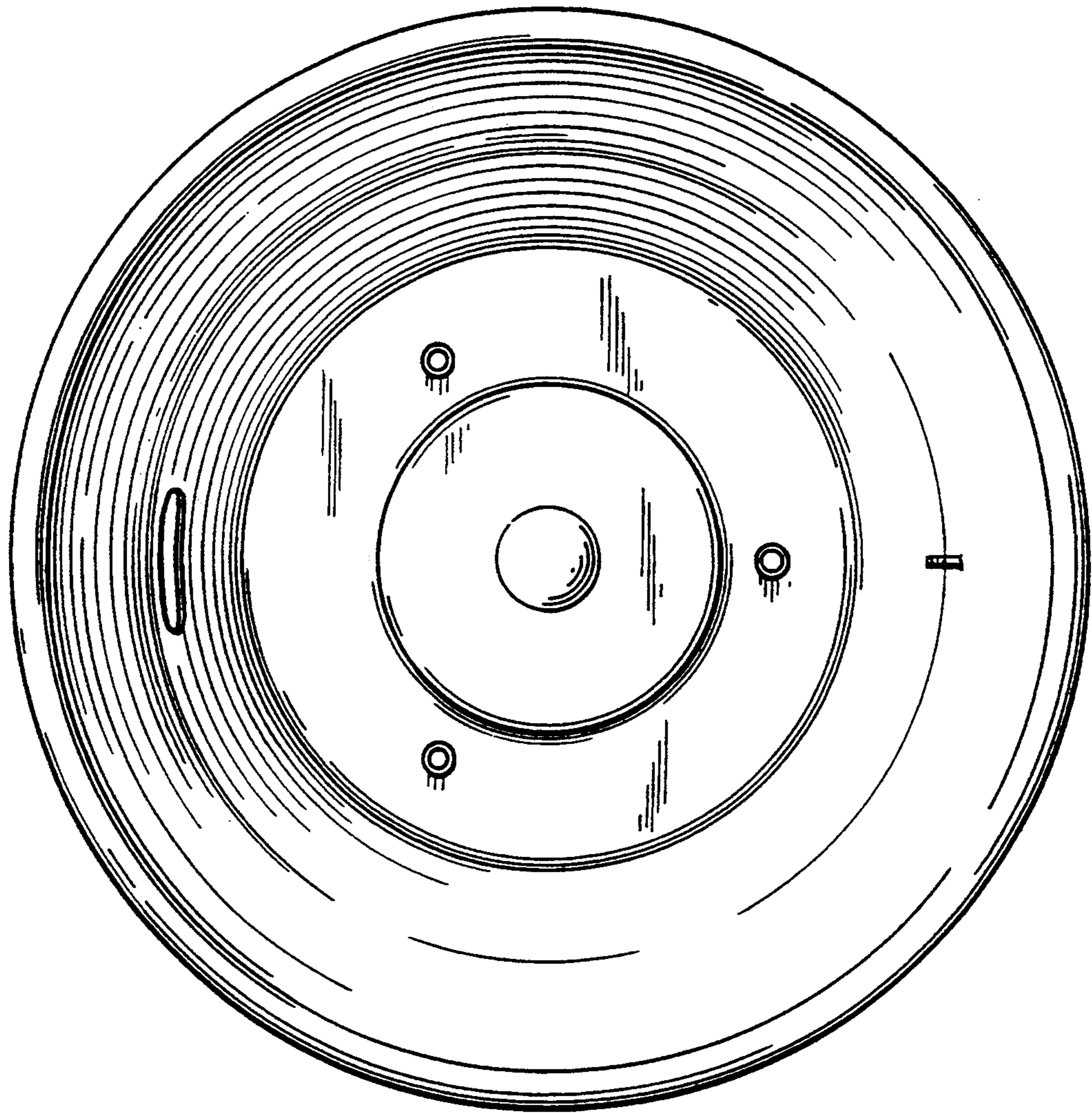


FIG. 6.

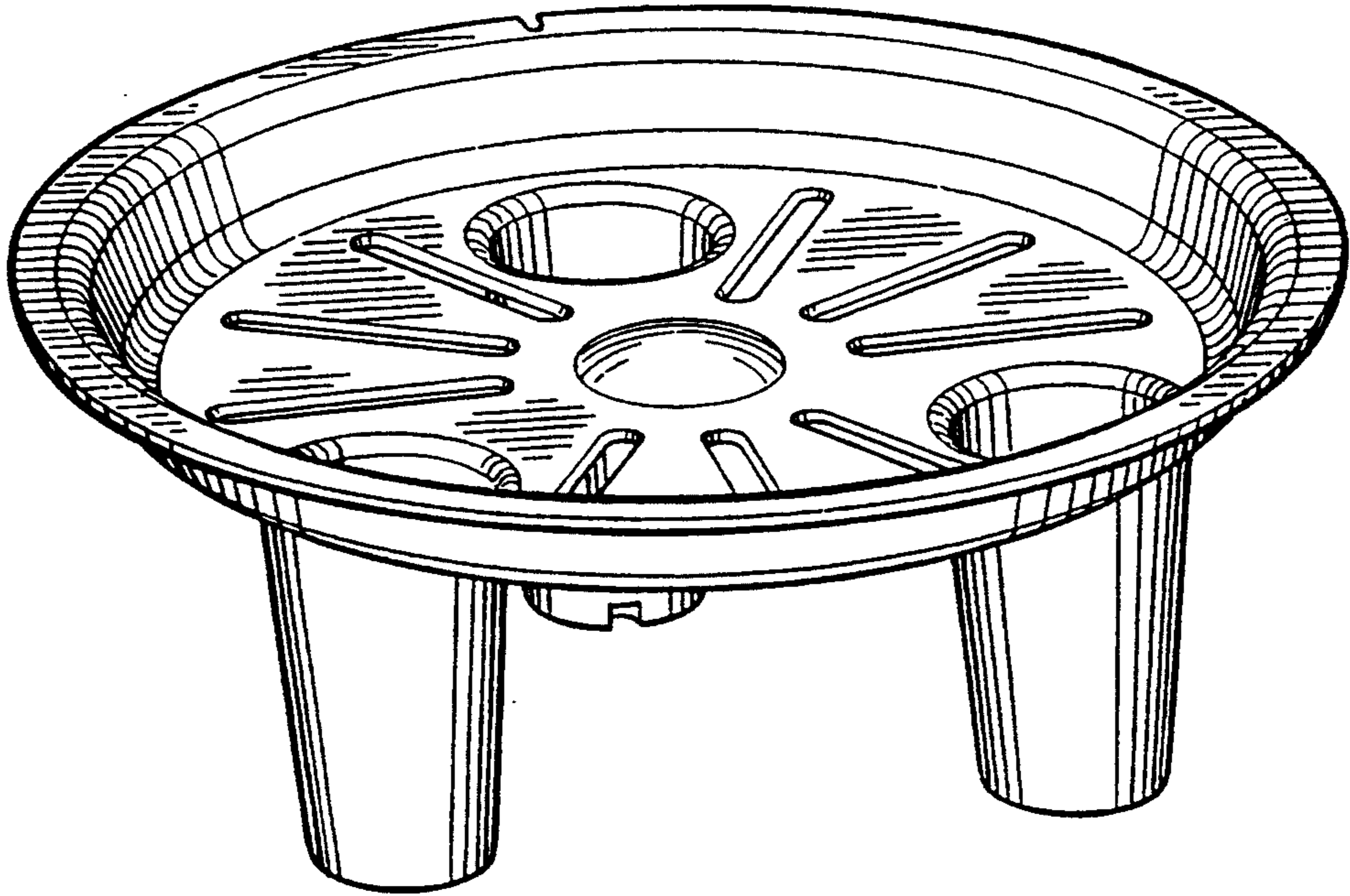


FIG. 7.

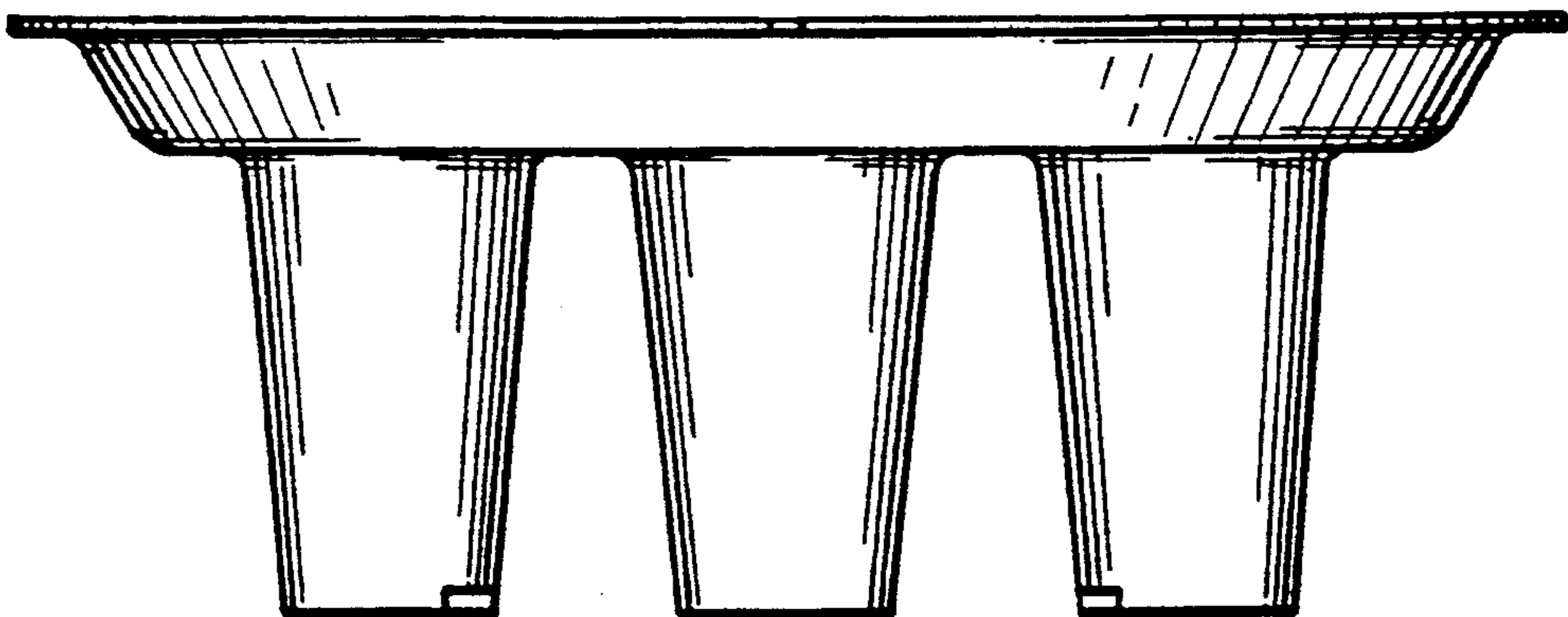


FIG. 8.