



US00D352478S

United States Patent [19]

[11] Patent Number: **Des. 352,478**

Whittle et al.

[45] Date of Patent: **** Nov. 15, 1994**

[54] HYDROPONICS SYSTEM

D. 245,681 9/1977 Farner D11/144
4,170,844 10/1979 Steele 47/62

[76] Inventors: **Ricky M. Whittle**, 4400 Grassy La.,
Burlington, N.C. 27215; **David K. Graham**, 6818 Smithwood Rd.,
Liberty, N.C. 27298

Primary Examiner—Alan P. Douglas
Assistant Examiner—S. Snapp

[**] Term: **14 Years**

[57] CLAIM

[21] Appl. No.: **900,259**

The ornamental design for a hydroponics system, as shown and described.

[22] Filed: **Jun. 17, 1992**

DESCRIPTION

[52] U.S. Cl. **D11/144**

FIG. 1 is a front, top, right side perspective view of the hydroponics system showing our new design; FIG. 2 is a left side elevational view thereof; FIG. 3 is a rear elevational view thereof; and, FIG. 4 is a bottom plan view thereof, showing the tray in another position.

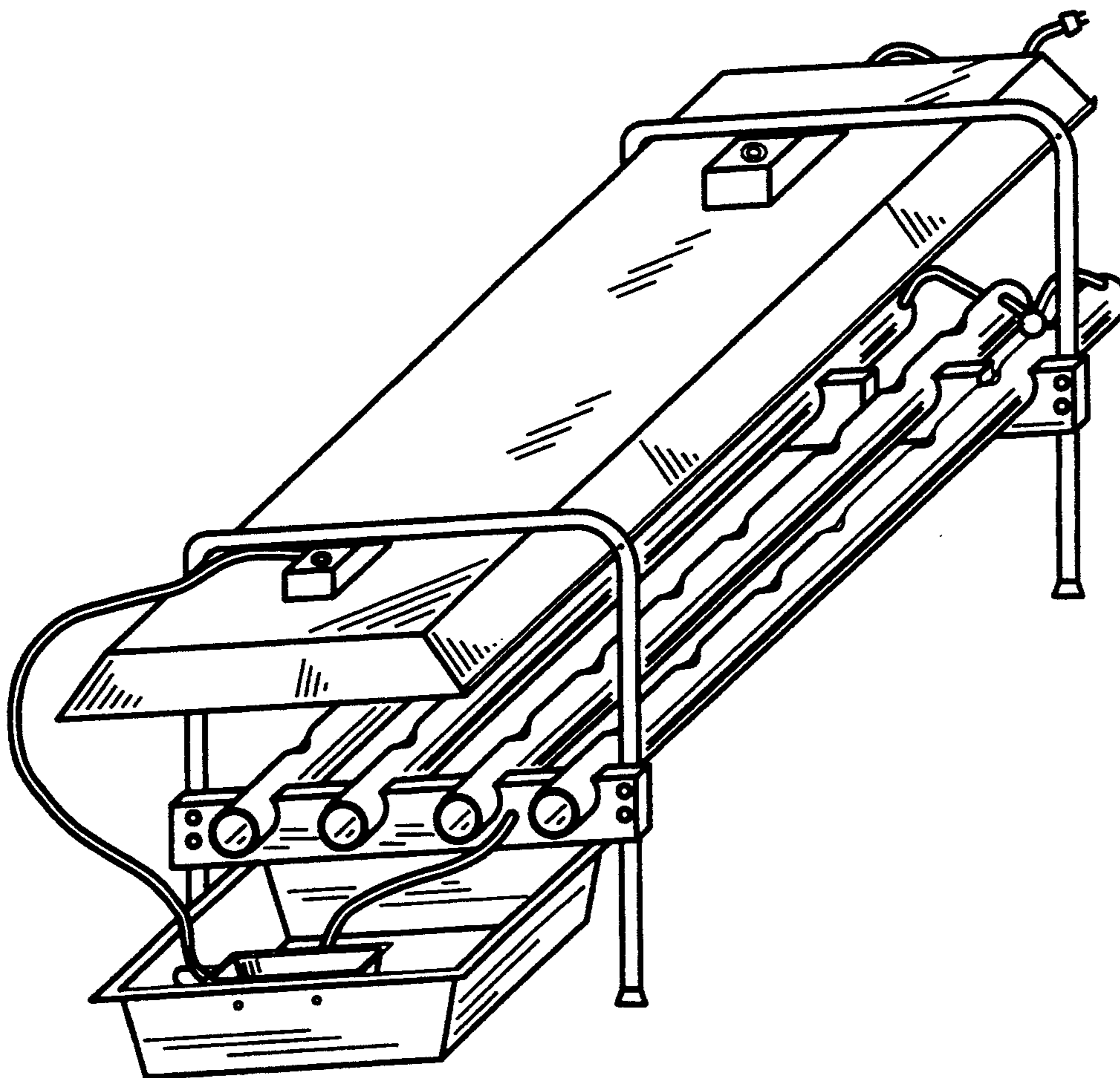
[58] Field of Search 47/59, 60, 62, DIG. 6;
D11/143, 144

The cord-like elements are shown throughout the drawings in varying positions due to their nature.

[56] References Cited

U.S. PATENT DOCUMENTS

D. 237,898 2/1975 Austin D11/144



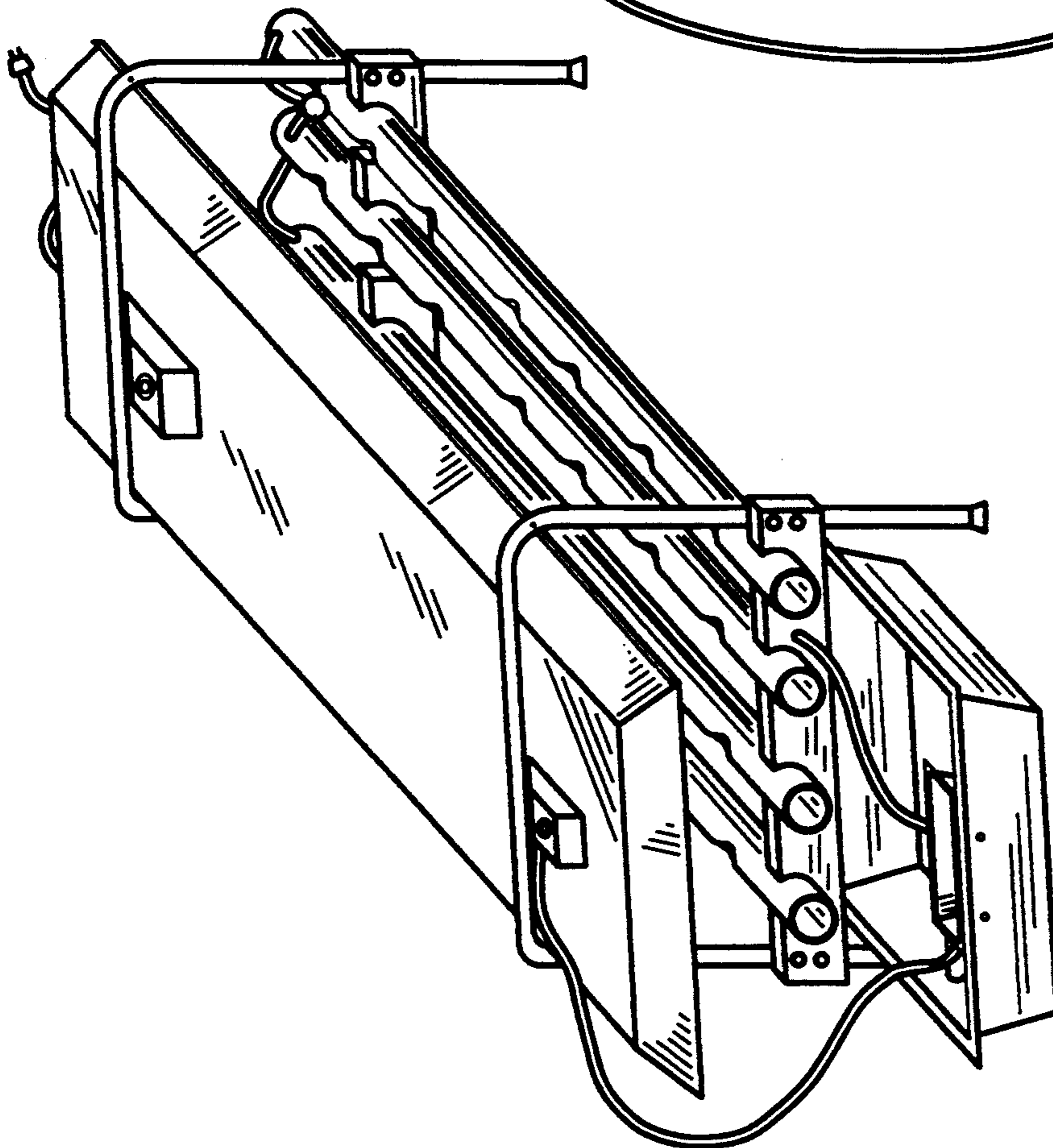


FIG. 1

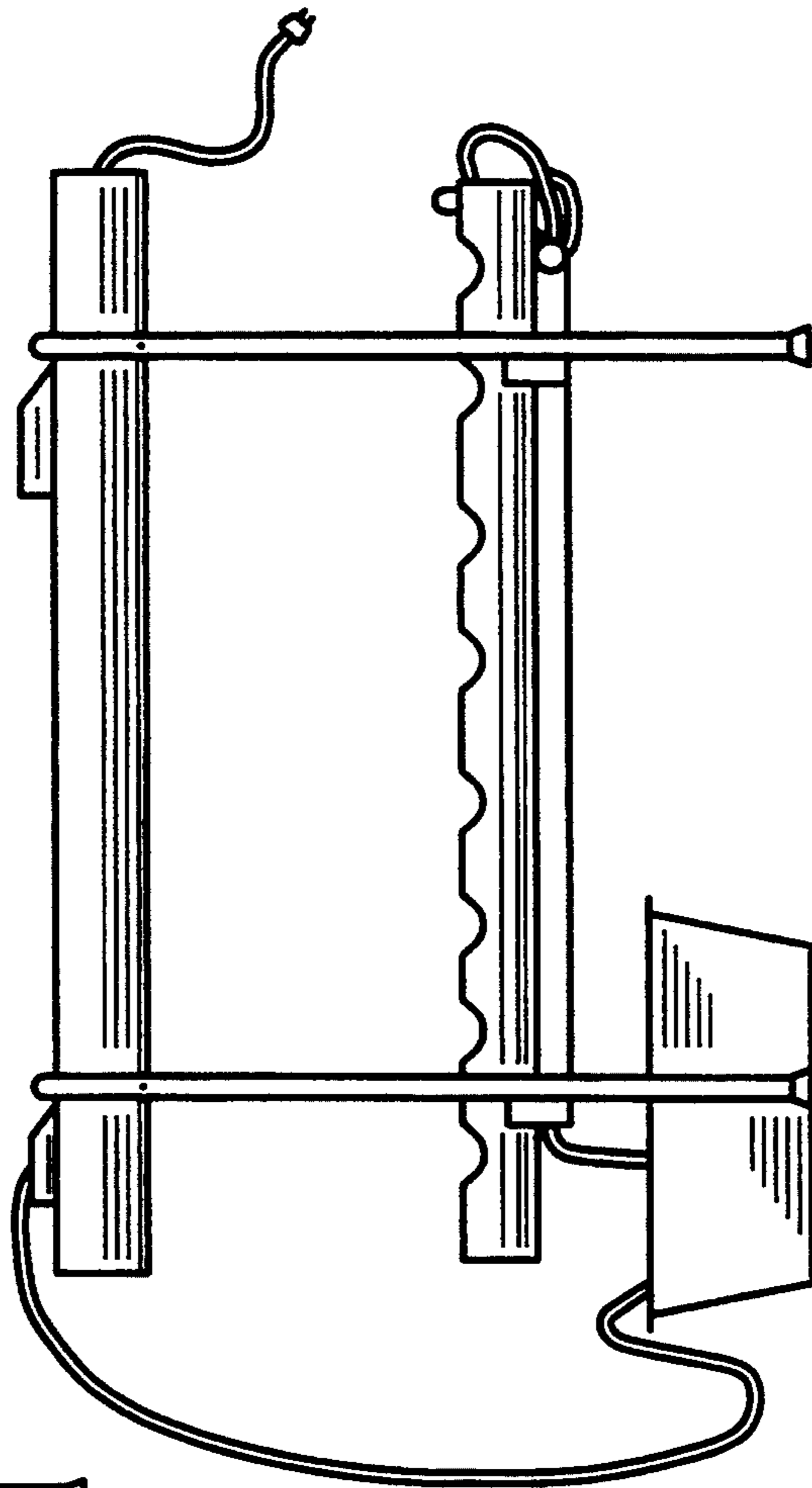


FIG. 2

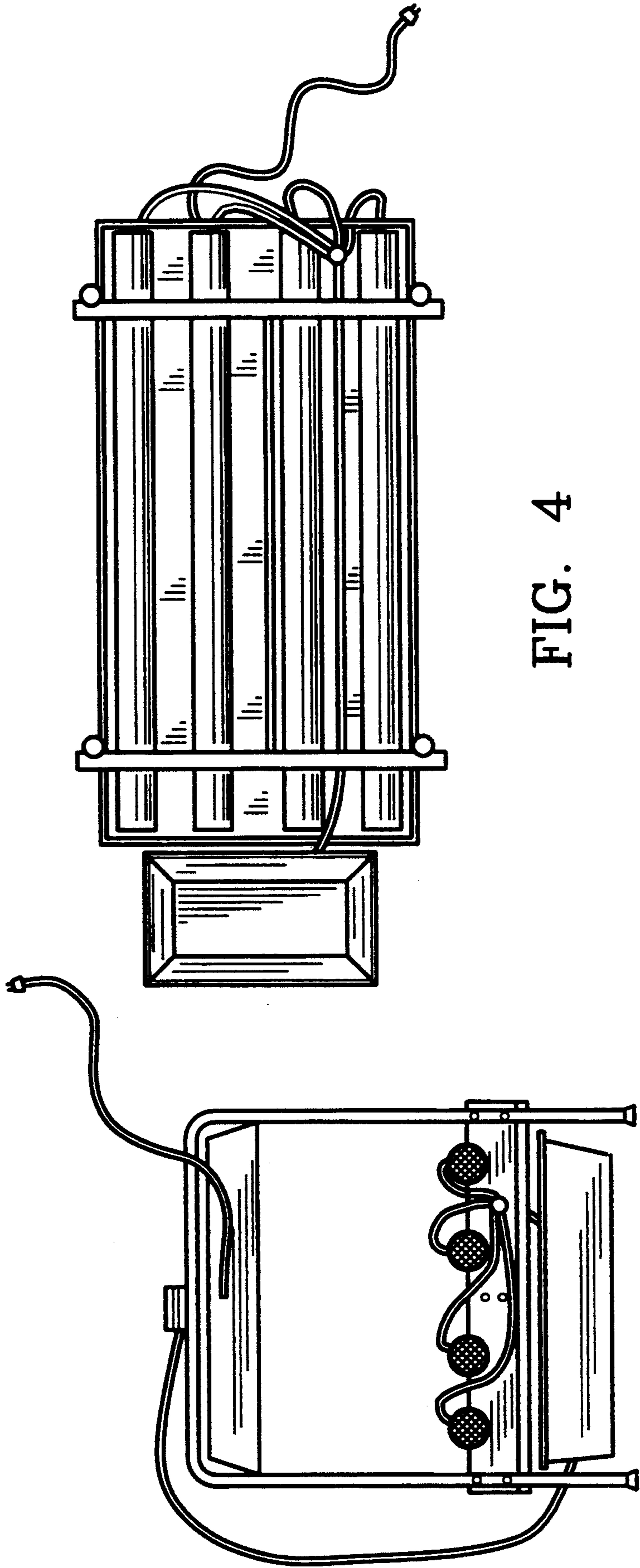


FIG. 4

FIG. 3