



US00D352469S

# United States Patent [19]

[11] Patent Number: **Des. 352,469**

Schlup

[45] Date of Patent: **\*\* Nov. 15, 1994**

[54] **REVERSIBLE WATCH**

[76] Inventor: **Walter Schlup**, 13 Av.  
Léopold-Robert, CH 2300 La  
Chaux-de-Fonds, Switzerland

[\*\*] Term: **14 Years**

[21] Appl. No.: **925,468**

[22] Filed: **Aug. 4, 1992**

[30] **Foreign Application Priority Data**

Feb. 5, 1992 [XH] Hague Agreement .... DMA/001697

[52] U.S. Cl. .... **D10/39; D10/30**

[58] Field of Search ..... 368/276-277,  
368/280-282, 285; D10/1-40, 122-132

[56] **References Cited**

**U.S. PATENT DOCUMENTS**

- D. 303,770 10/1989 Woomer ..... D10/39
- 1,930,416 10/1933 Chauvot ..... 368/281
- 5,262,763 11/1993 Okuyama ..... 368/223 X

**OTHER PUBLICATIONS**

*Hong Kong Enterprise*—Jul. 1988—p. 19—watch at left.

*Primary Examiner*—Nelson C. Holtje

*Attorney, Agent, or Firm*—McGlew and Tuttle

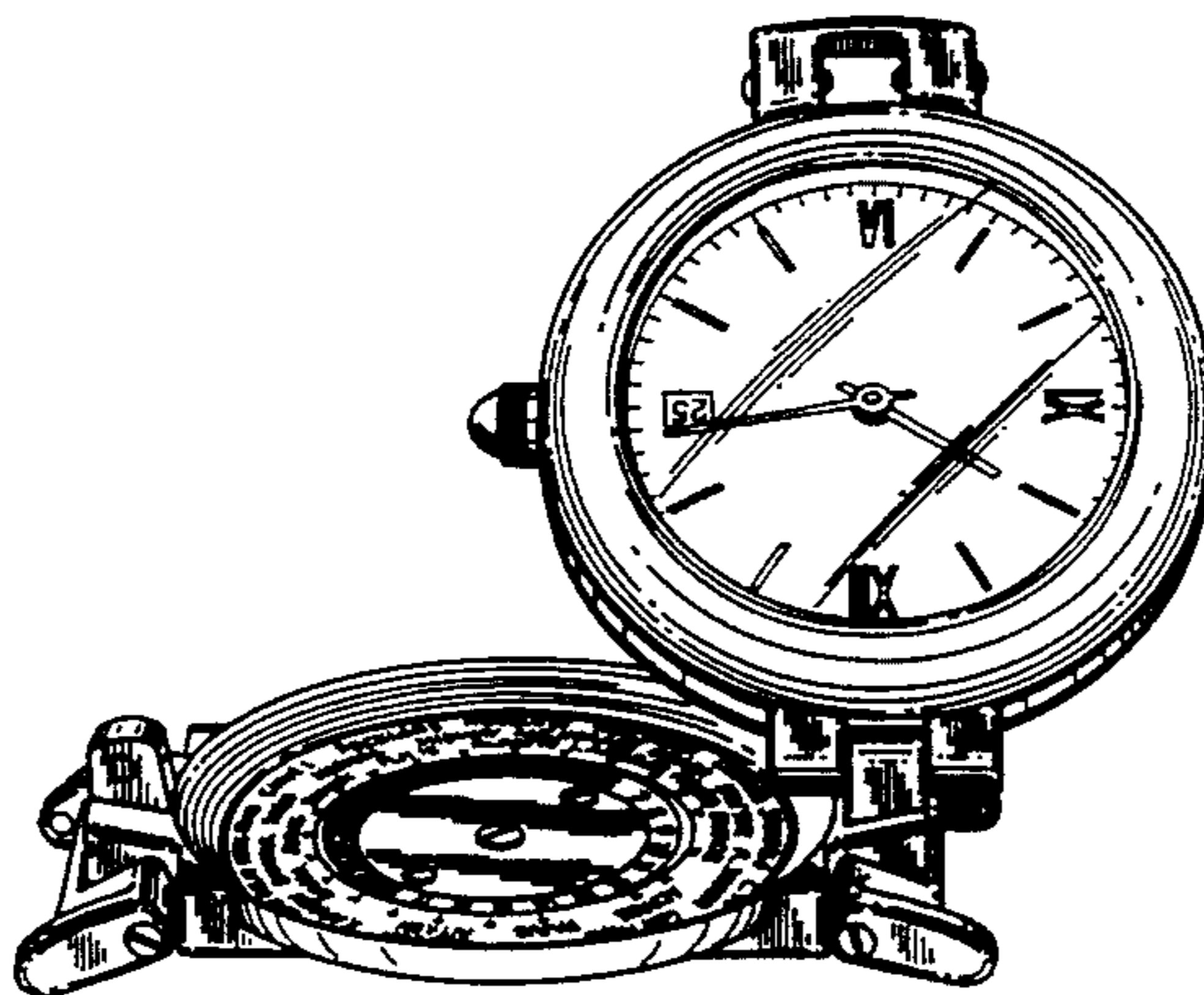
[57] **CLAIM**

The ornamental design for a reversible watch, as shown and described.

**DESCRIPTION**

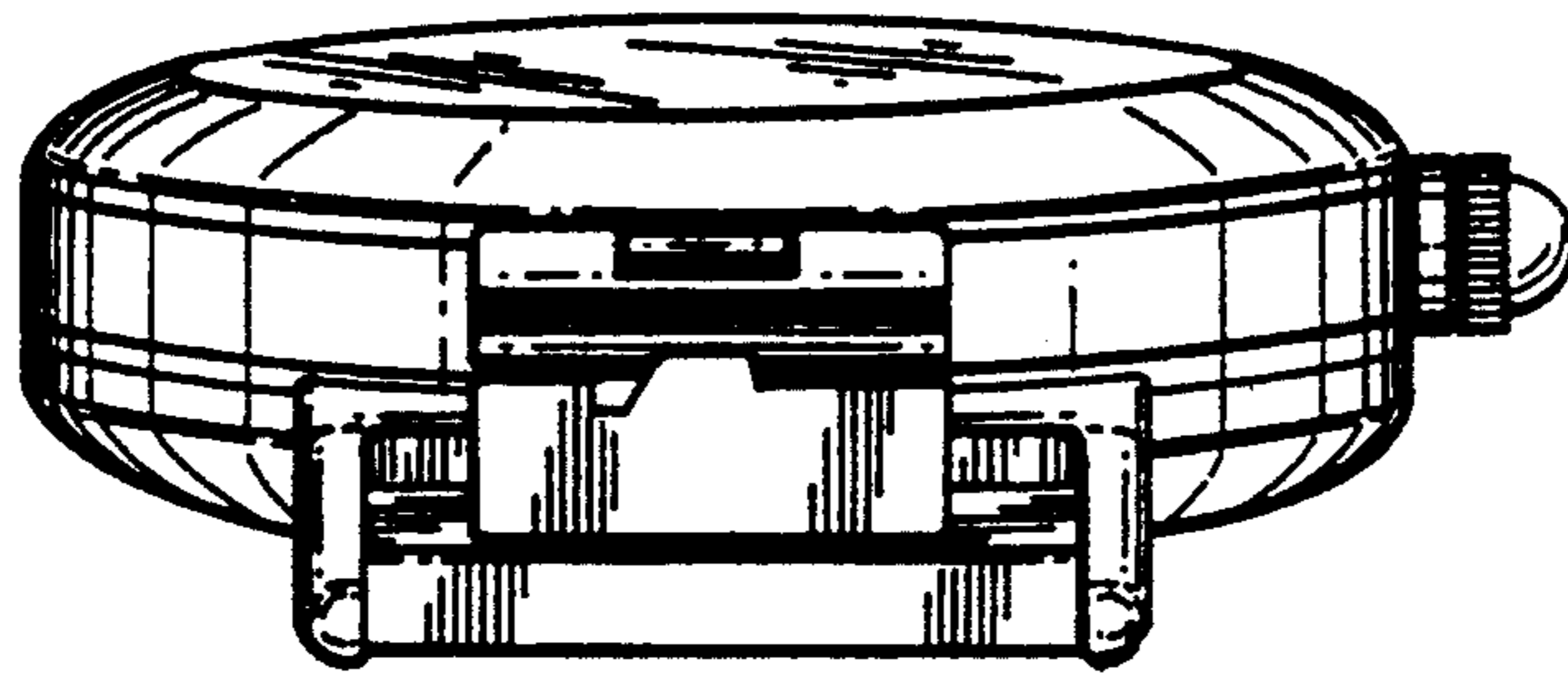
FIG. 1 is a top view of my reversible watch wherein the back cover of the watch turns over allowing display of one of two different fronts, each of which correspond to a movement and a time zone, the mobile connecting and turning device being provided between the horns at the twelve o'clock location with a fastening device being provided between the horns at the six o'clock location such that either a first watch face is in a displayed position or a second watch face is in a displayed position; FIG. 2 is a front end view of the design of FIG. 1 with the first watch face in the displayed position; FIG. 3 is a rear end view of the design of FIG. 1 with the first watch face in the displayed position; FIG. 4 is a right side view of the design of FIG. 1 with the first watch face in a displayed position;

FIG. 5 is a left side view of the design of FIG. 1 with the first watch face in the displayed position; FIG. 6 is a bottom view of the design of FIG. 1 with the first watch face in the displayed position; FIG. 7 is a perspective view of the design of FIG. 1 with the first watch face in the displayed position; FIG. 8 is a front end view of the design of FIG. 1, in an open state showing the first watch face with the first watch face in the displayed position; FIG. 9 is a rear end view of the design of FIG. 1, in an open state showing the second watch face with the first watch face in the displayed position; FIG. 10 is a top view of the design of FIG. 1, in an open state with the first watch face in the displayed position; FIG. 11 is a left side view of the design of FIG. 1, in an open state, with the first watch face in the displayed position; FIG. 12 is a perspective view of the design of FIG. 1, in an open state, with the first watch face in the displayed position; FIG. 13 is a perspective view of the design of FIG. 1 with the watch movement casing turned with respect to the view of FIG. 12; FIG. 14 is a top view of the design of FIG. 1 with the second face in the displayed position; FIG. 15 is a front end view of the design of FIG. 1 with the second watch face in the displayed position; FIG. 16 is a rear end view of the design of FIG. 1 with the second watch face in the displayed position; FIG. 17 is a bottom view of the design of FIG. 1 with the second watch face in the displayed position; FIG. 18 is a perspective view of the design of FIG. 1 with the second watch face in the displayed position; FIG. 19 is a front end view of the design of FIG. 1, in an open state showing the second watch face, with the second watch face in the displayed position; FIG. 20 is a rear end view of the design of FIG. 1, in an open state showing the first watch face, with the second watch face in the displayed position; FIG. 21 is a top view of the design of FIG. 1, in an open state, with the second watch face in the displayed position; FIG. 22 is a left side view of the design of FIG. 1, in an open state, with the second watch face in the displayed position; FIG. 23 is a perspective view of the design of FIG. 1, in an open state showing the first watch face, with the second watch face in the displayed position; and, FIG. 24 is a perspective view of the design of FIG. 1, with the watch movement casing turned with respect to FIG. 23.

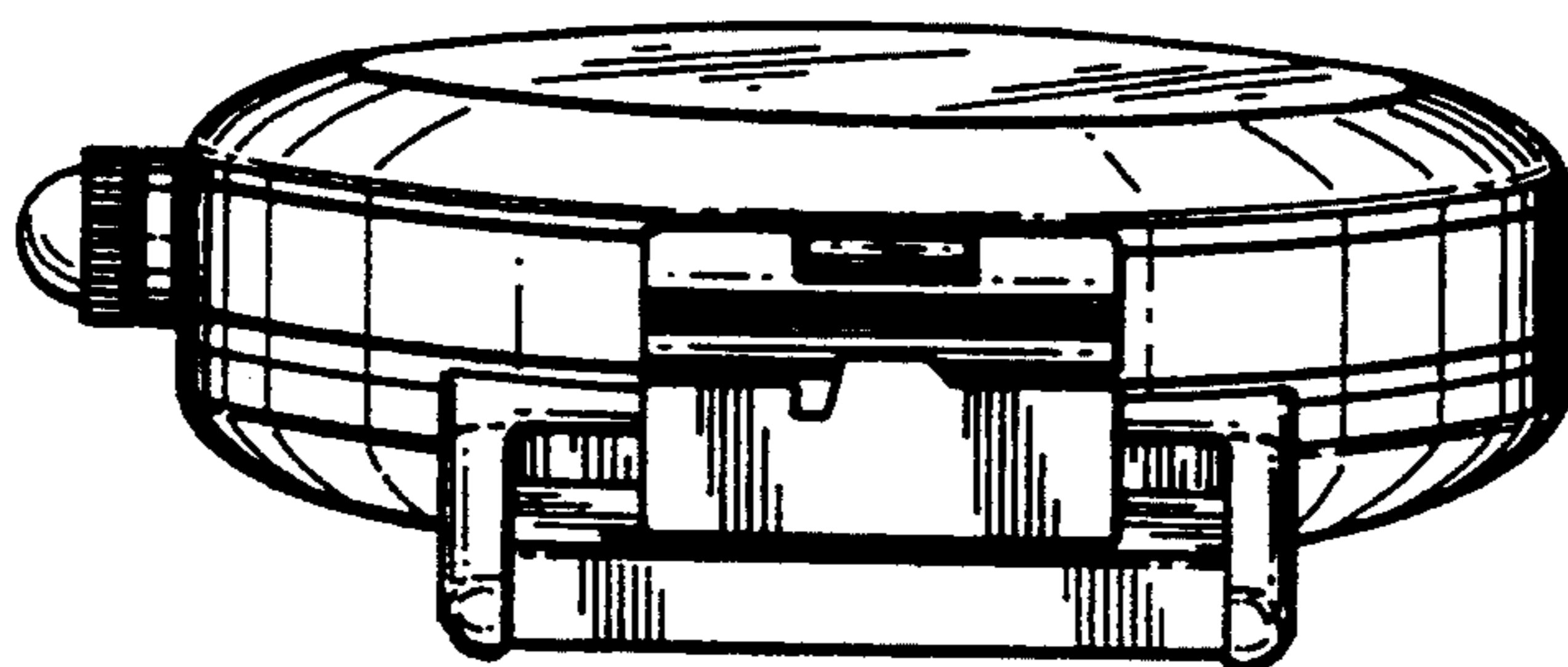




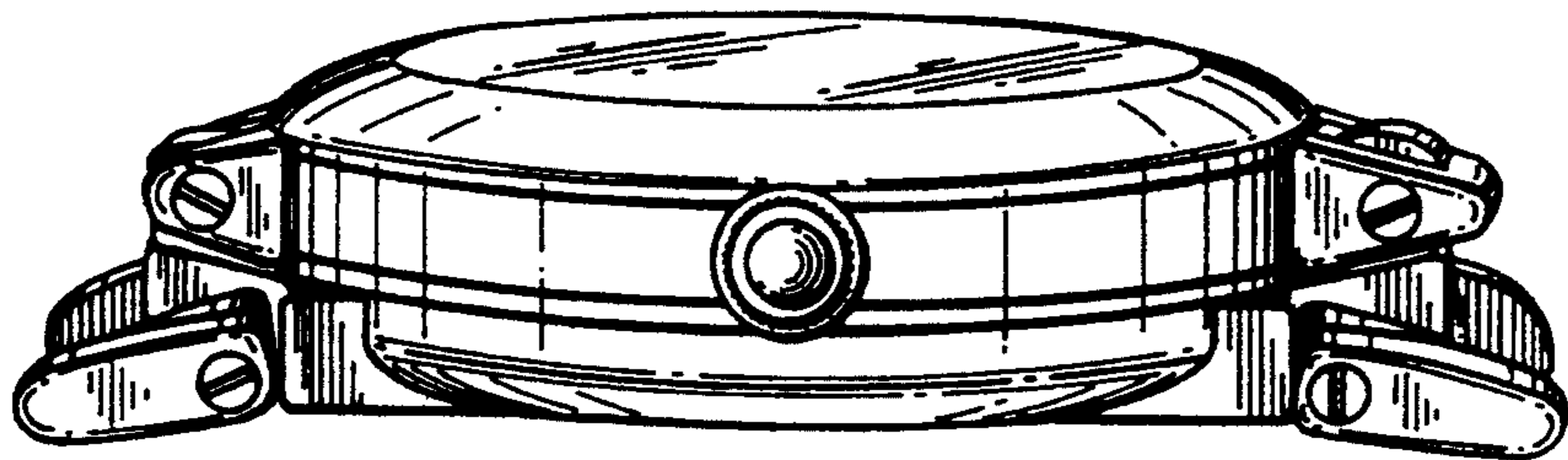
*FIG. 1*



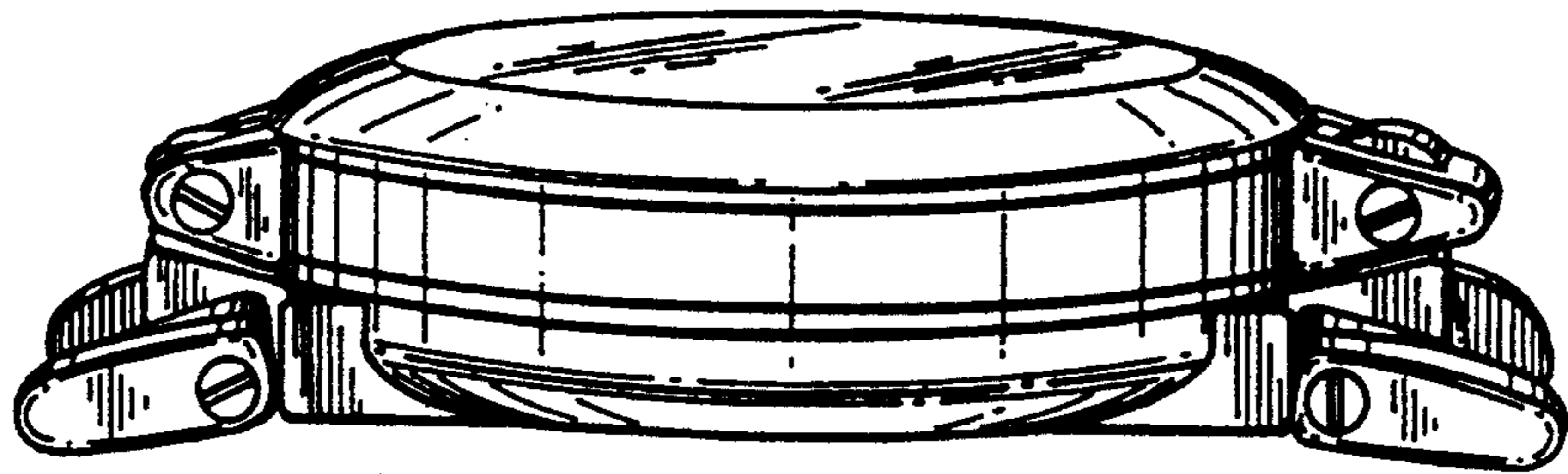
*FIG. 2*



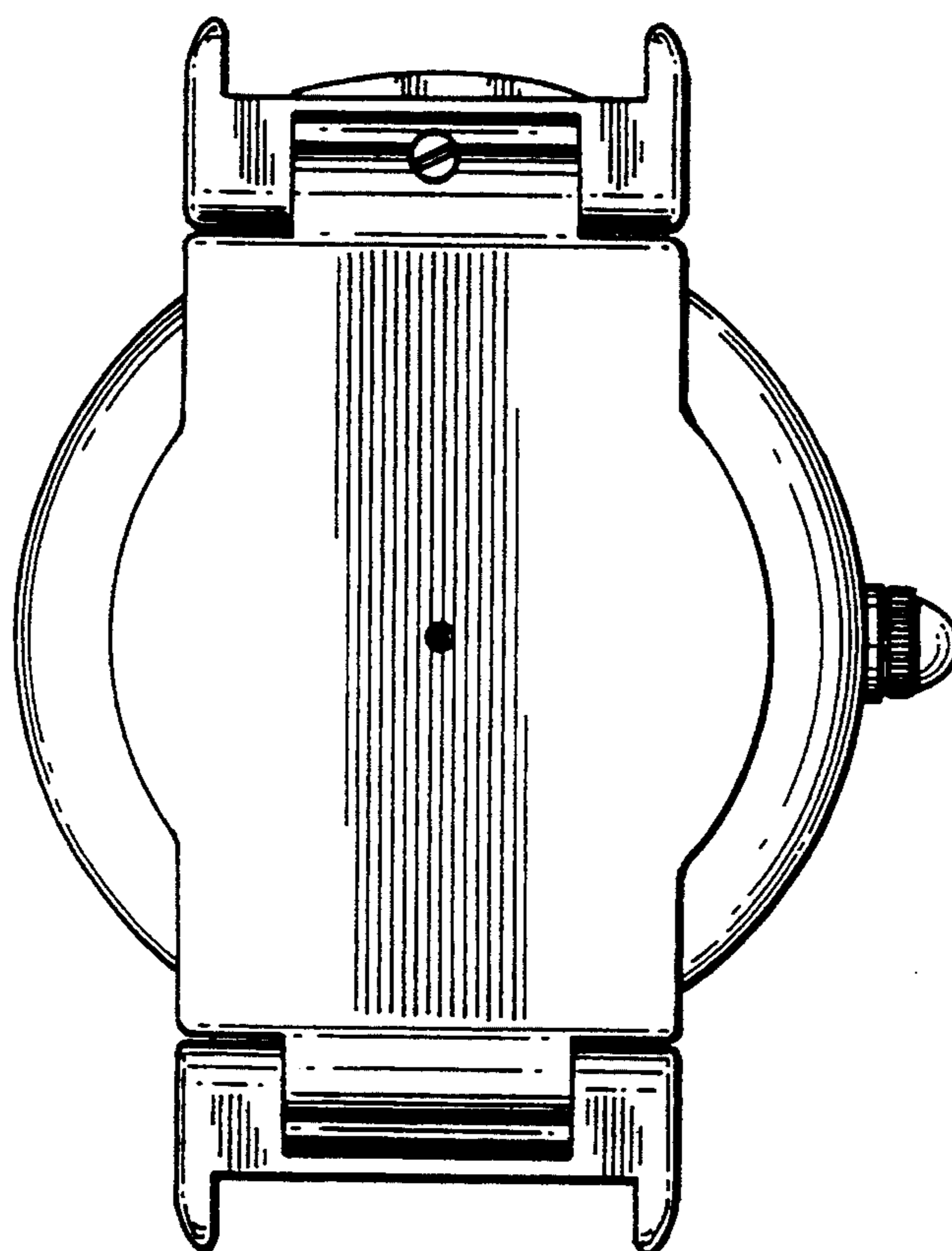
*FIG. 3*



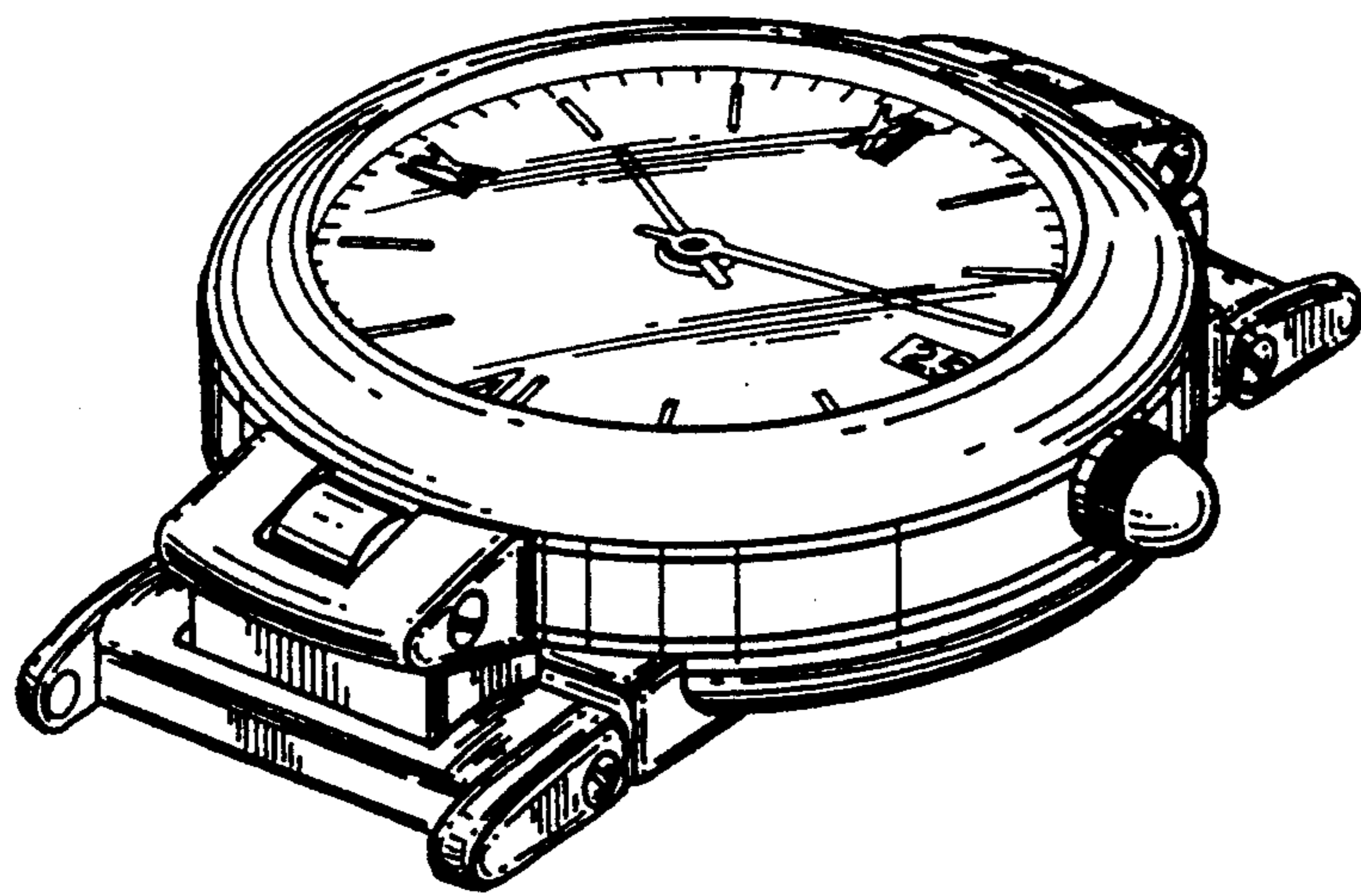
*FIG. 4*



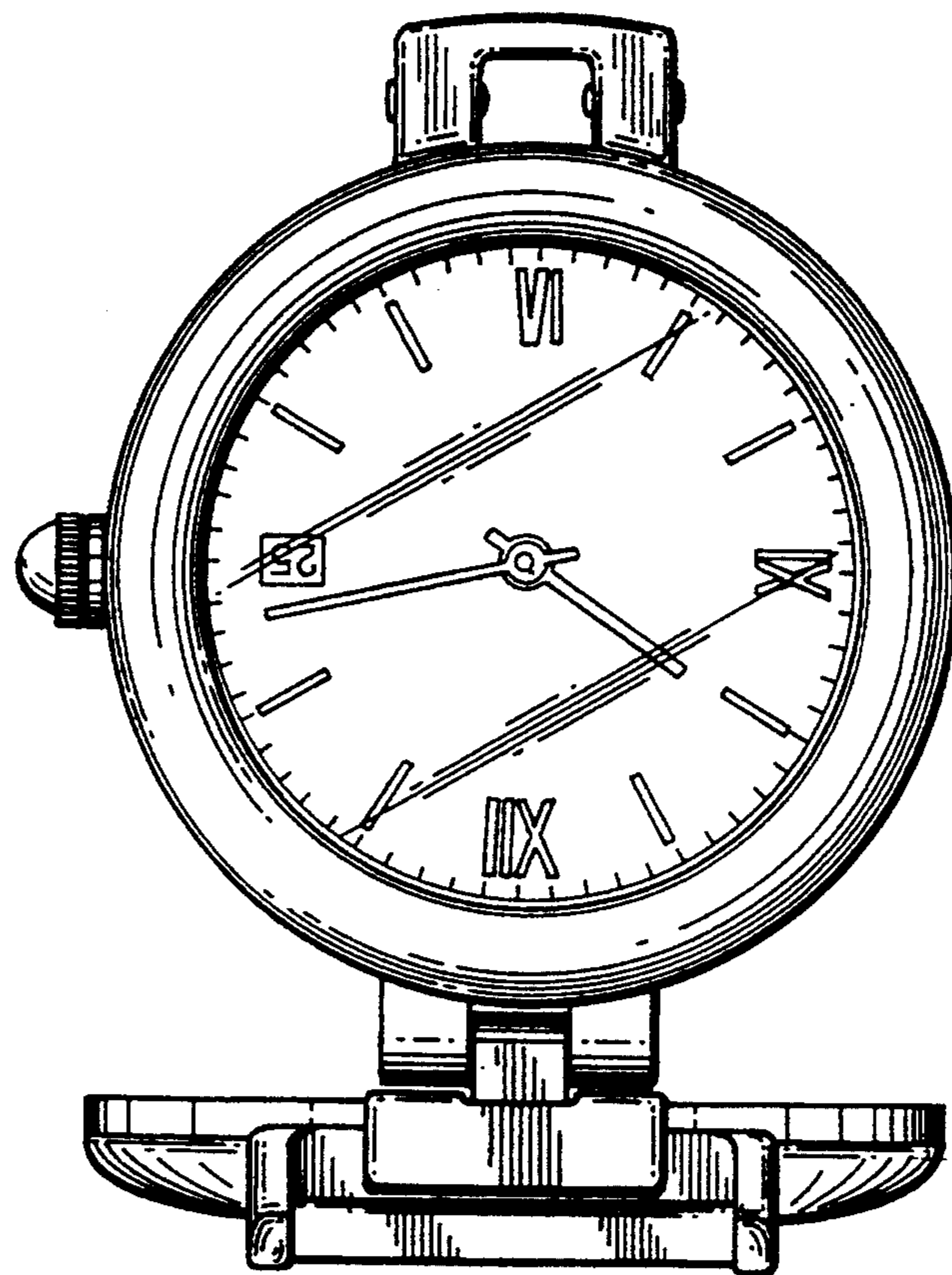
*FIG. 5*



*FIG. 6*



*FIG. 7*



*FIG. 8*



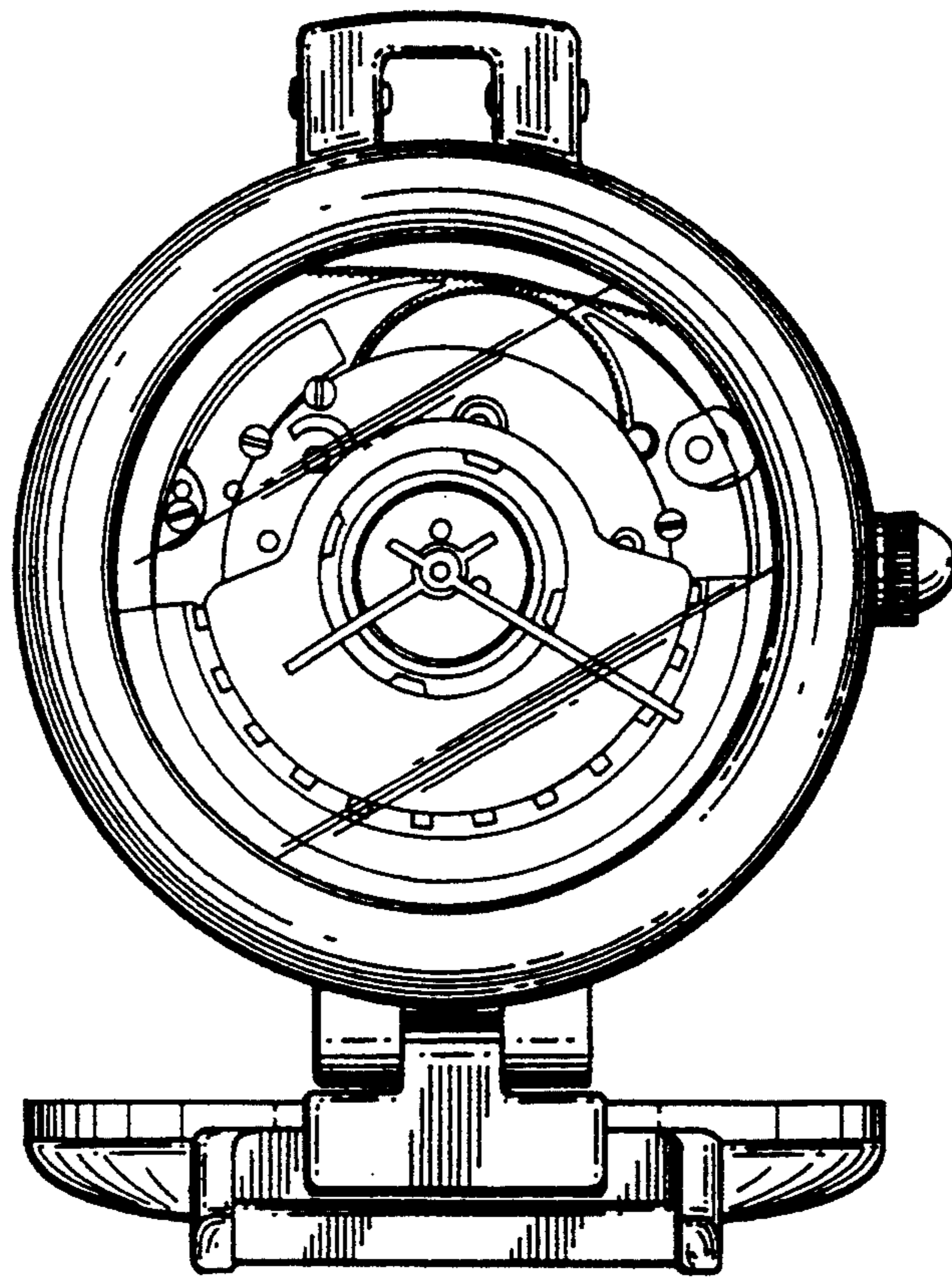


FIG. 9

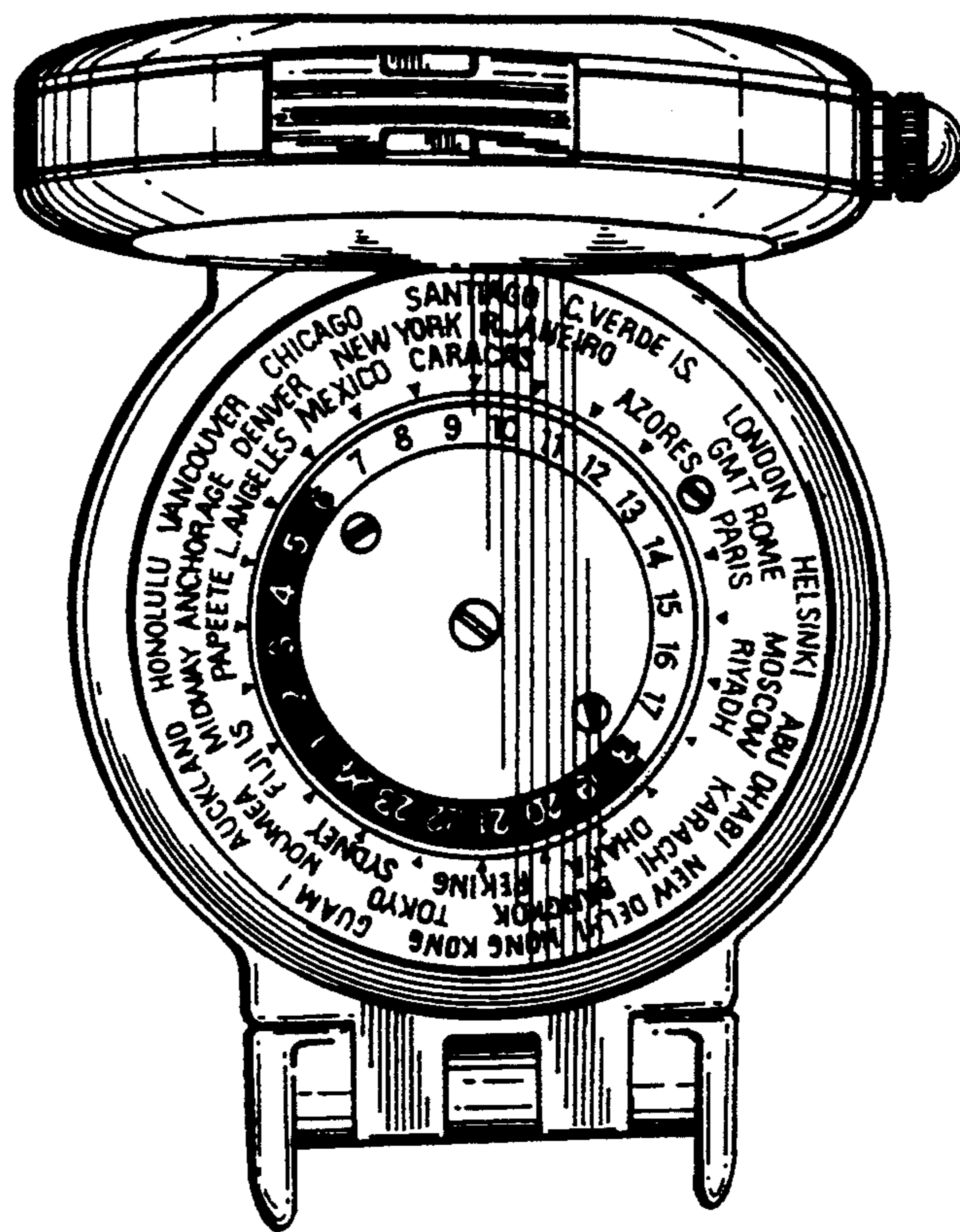
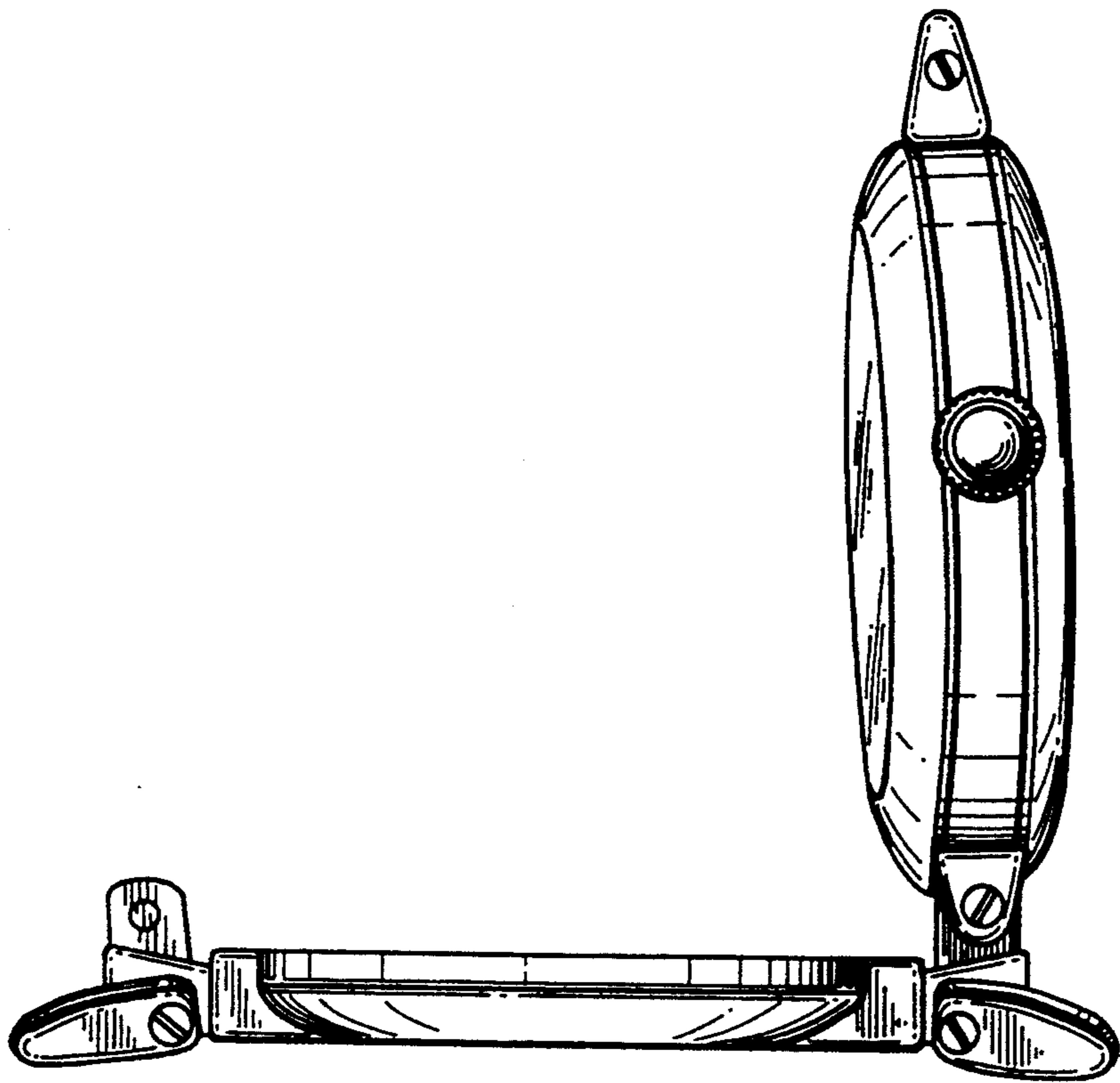


FIG. 10



*FIG. 11*

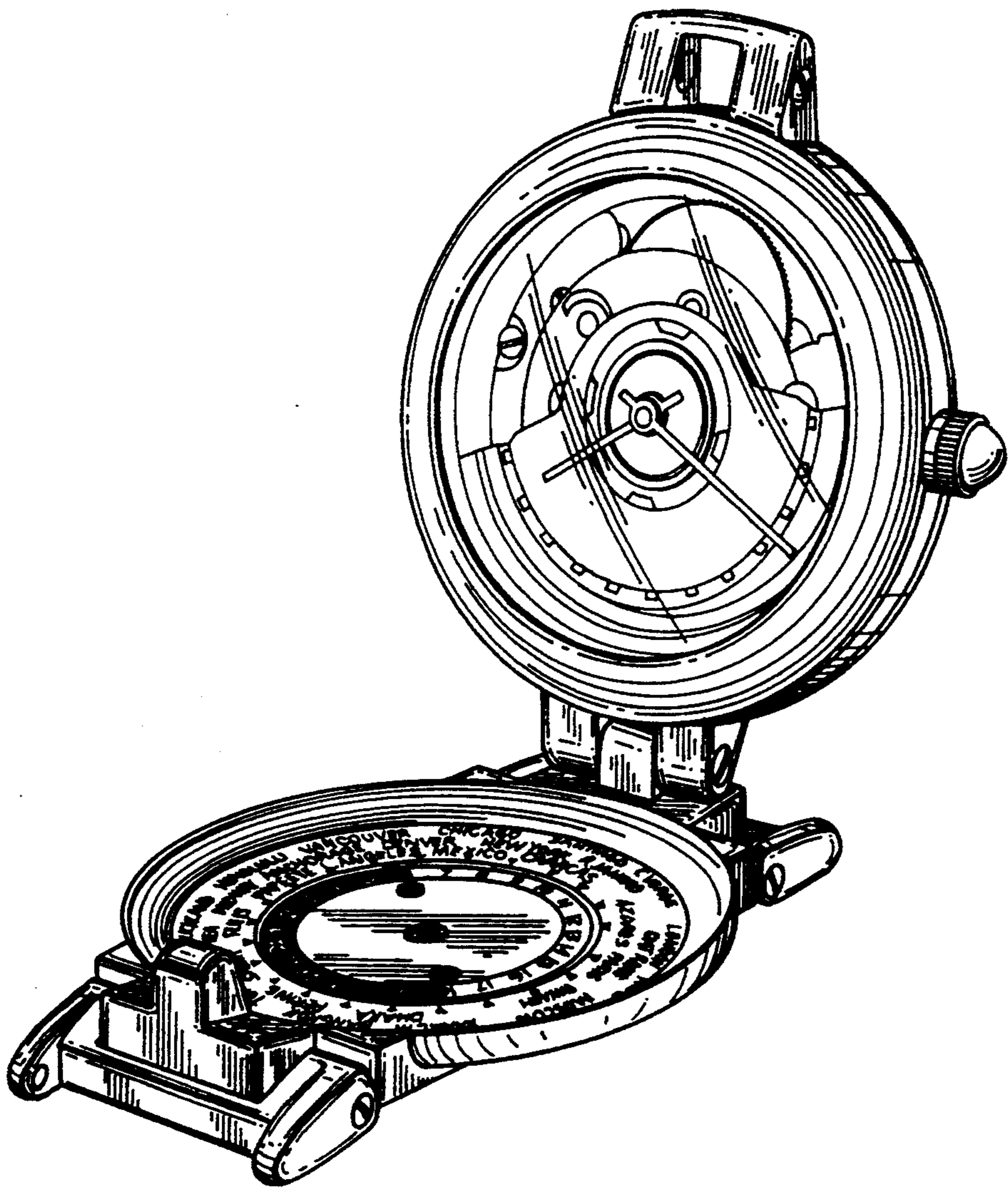


FIG. 12

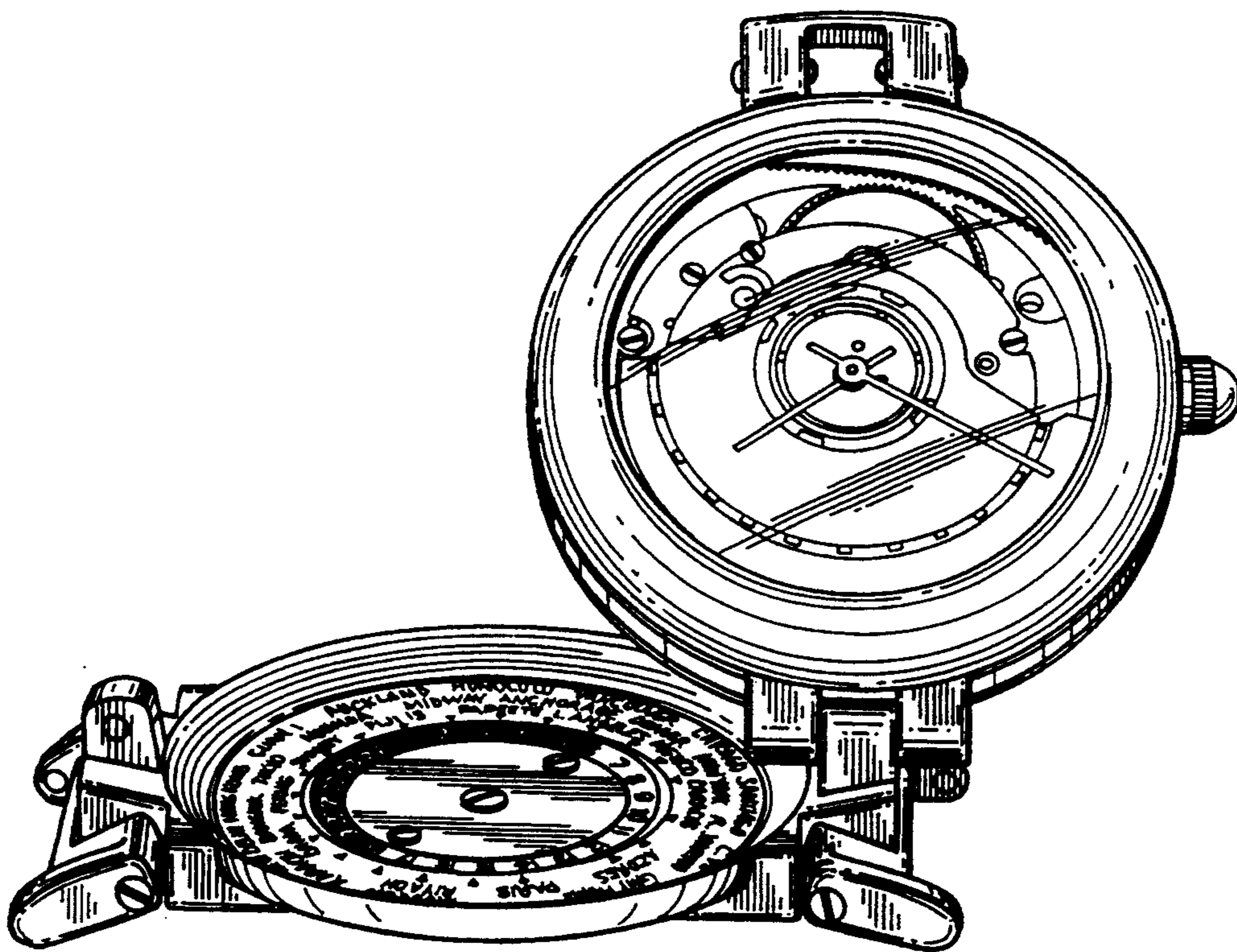
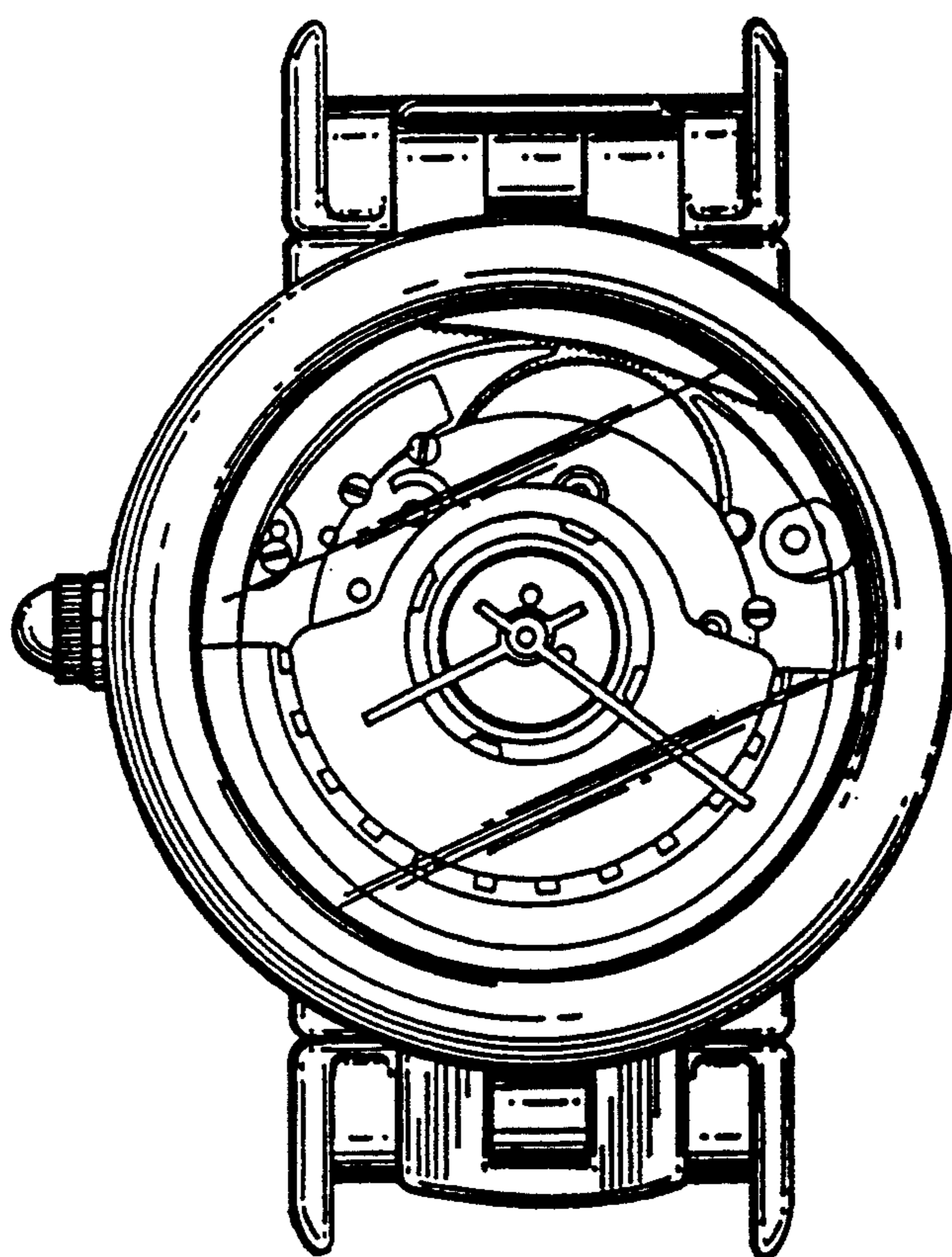
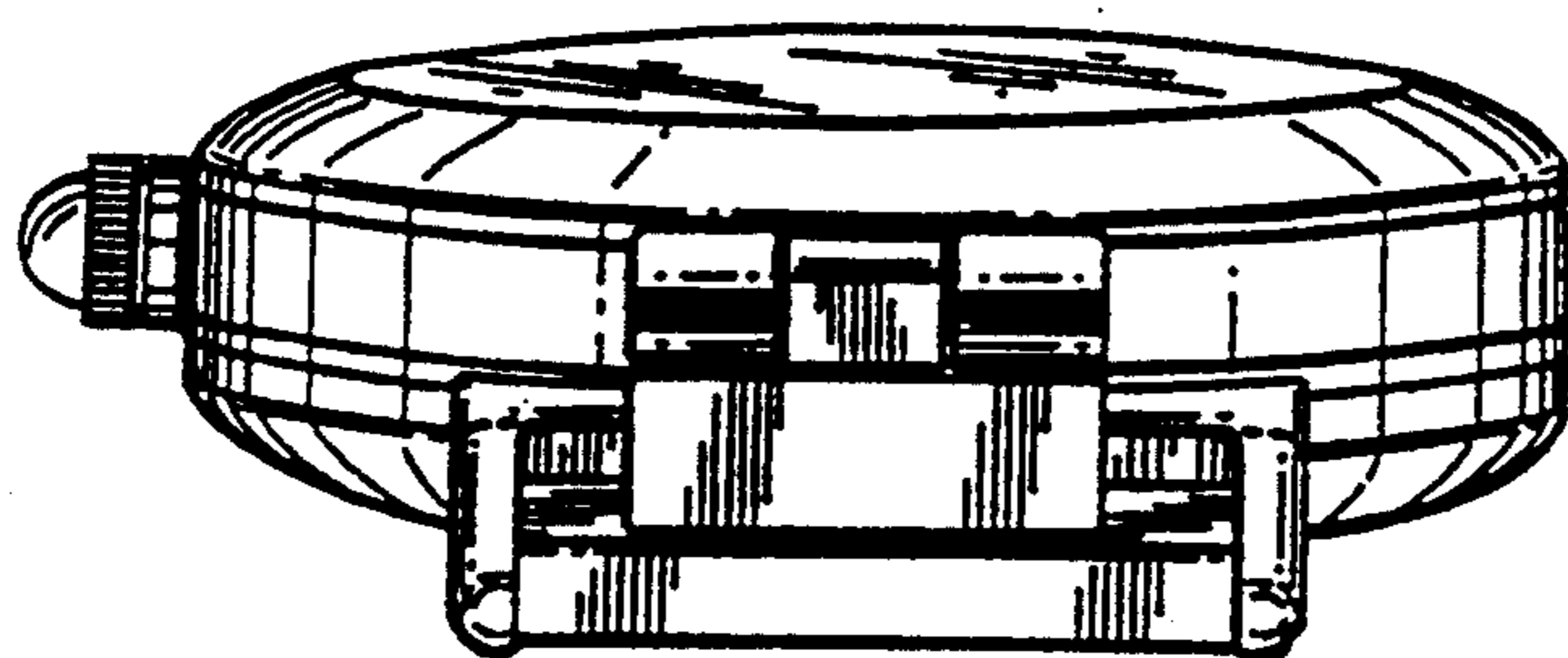


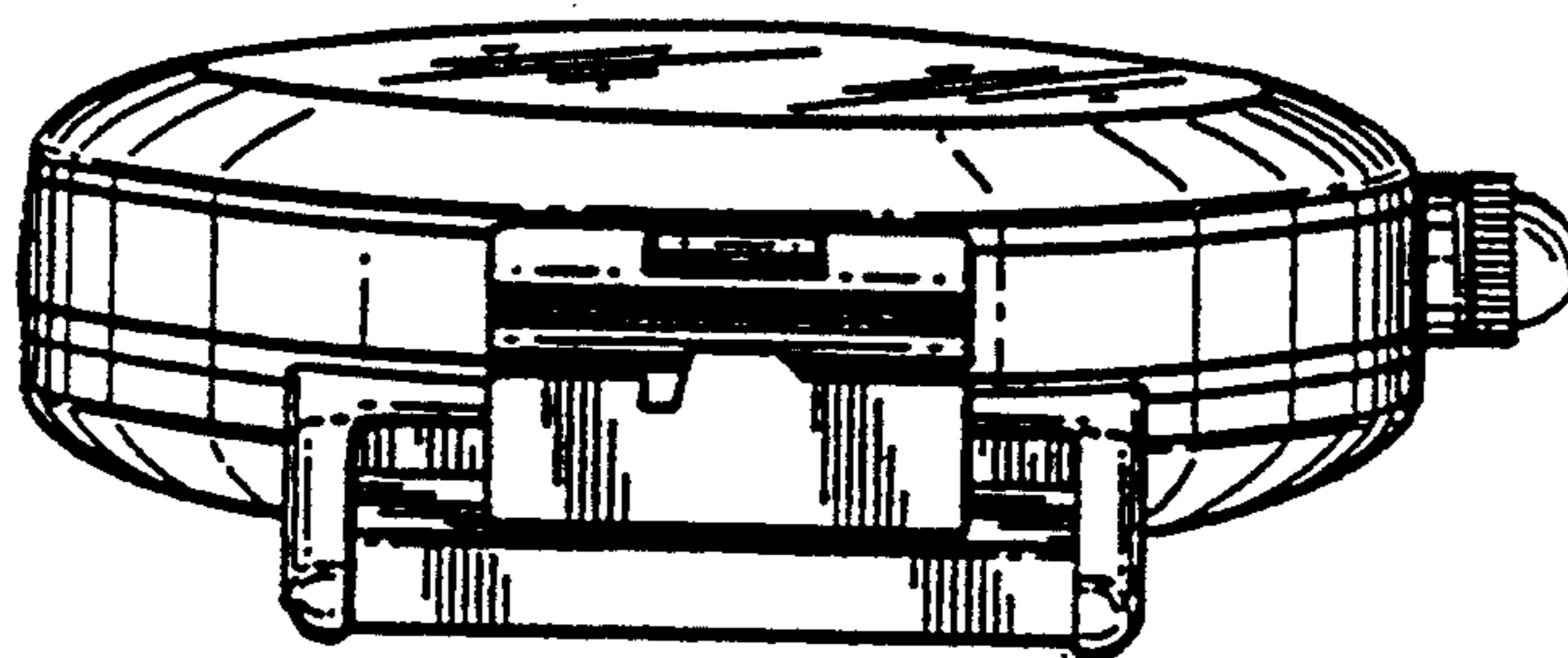
FIG. 13



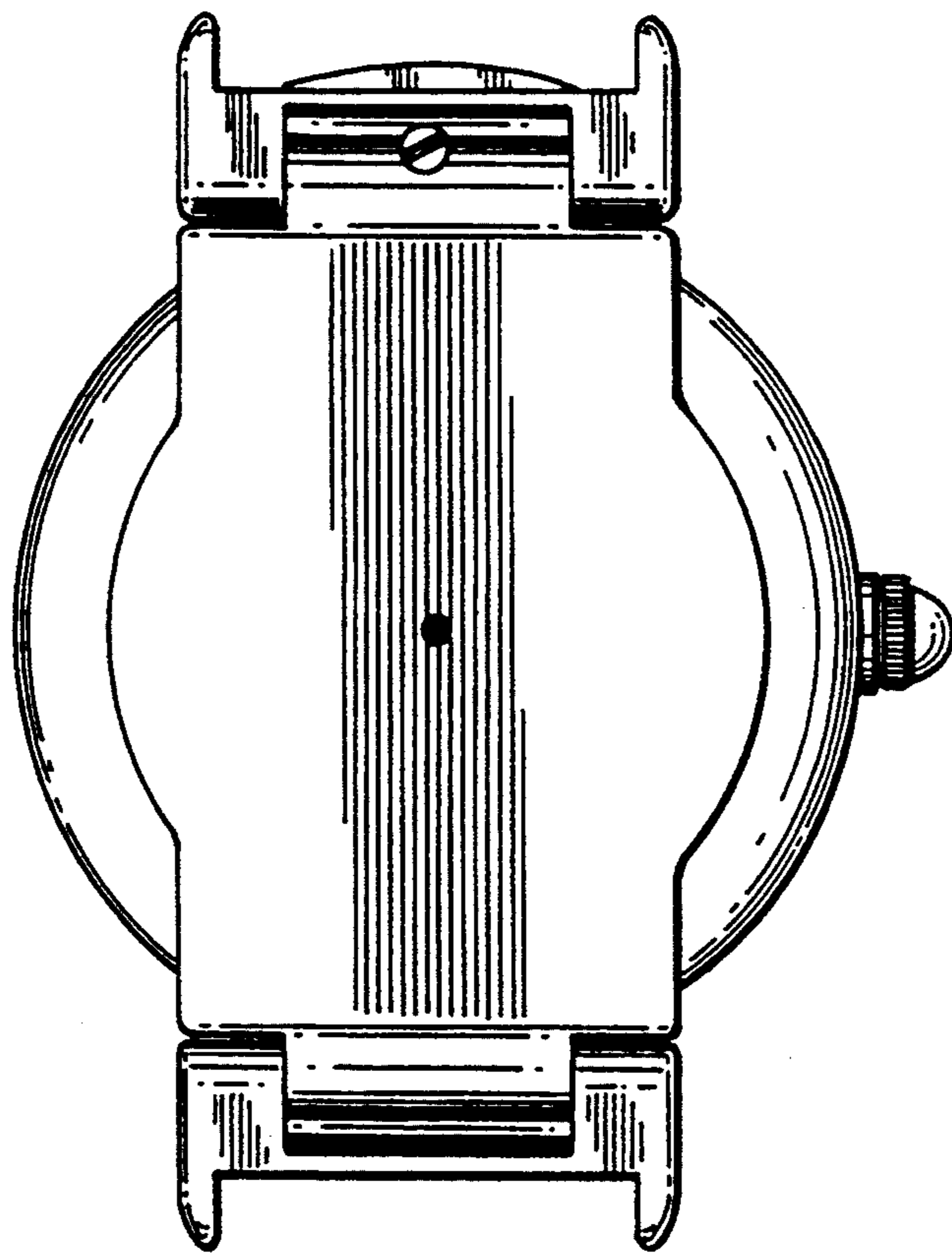
*FIG. 14*



*FIG. 15*

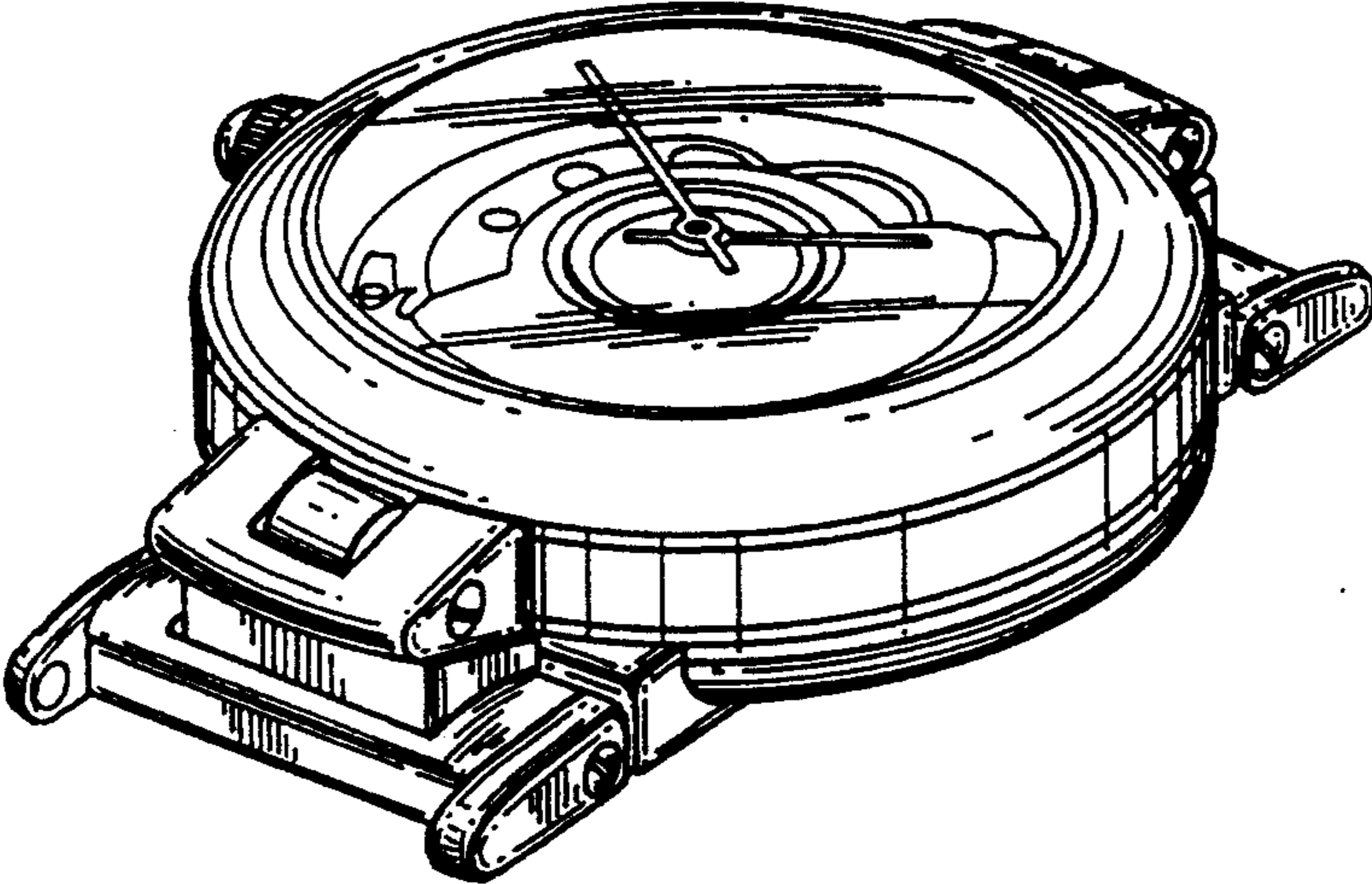


*FIG. 16*

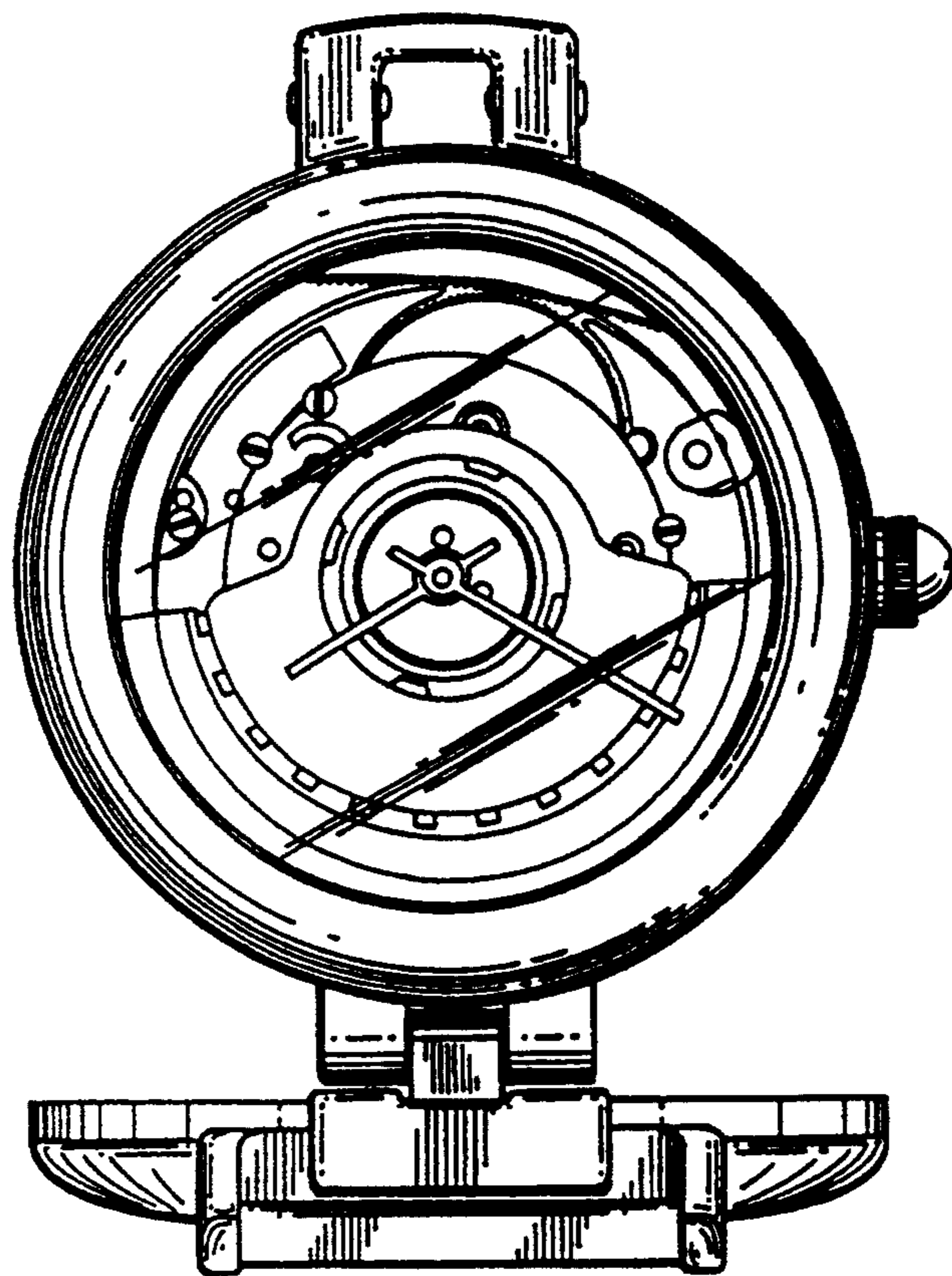


*FIG. 17*

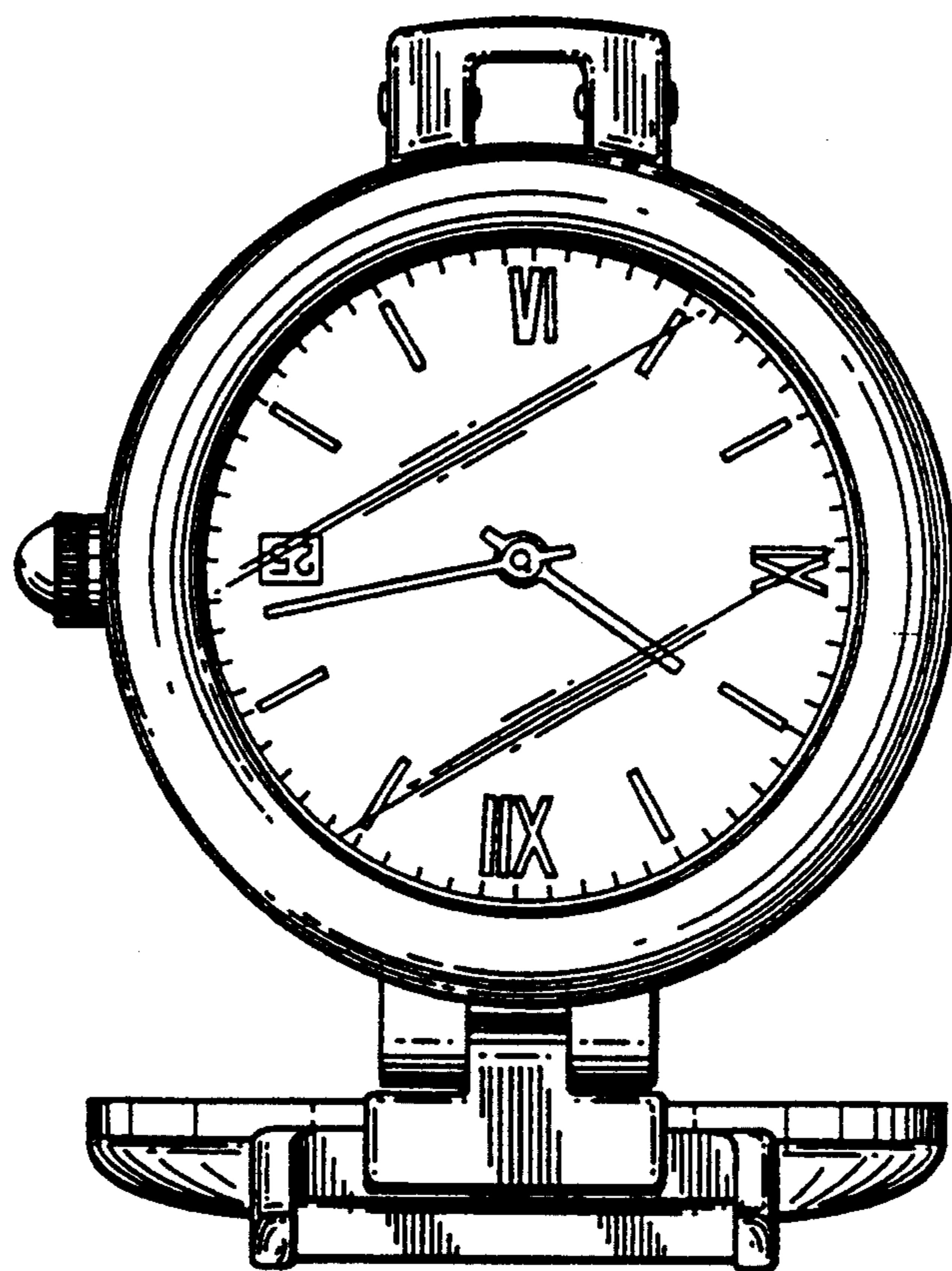




*FIG. 18*



*FIG. 19*



*FIG. 20*

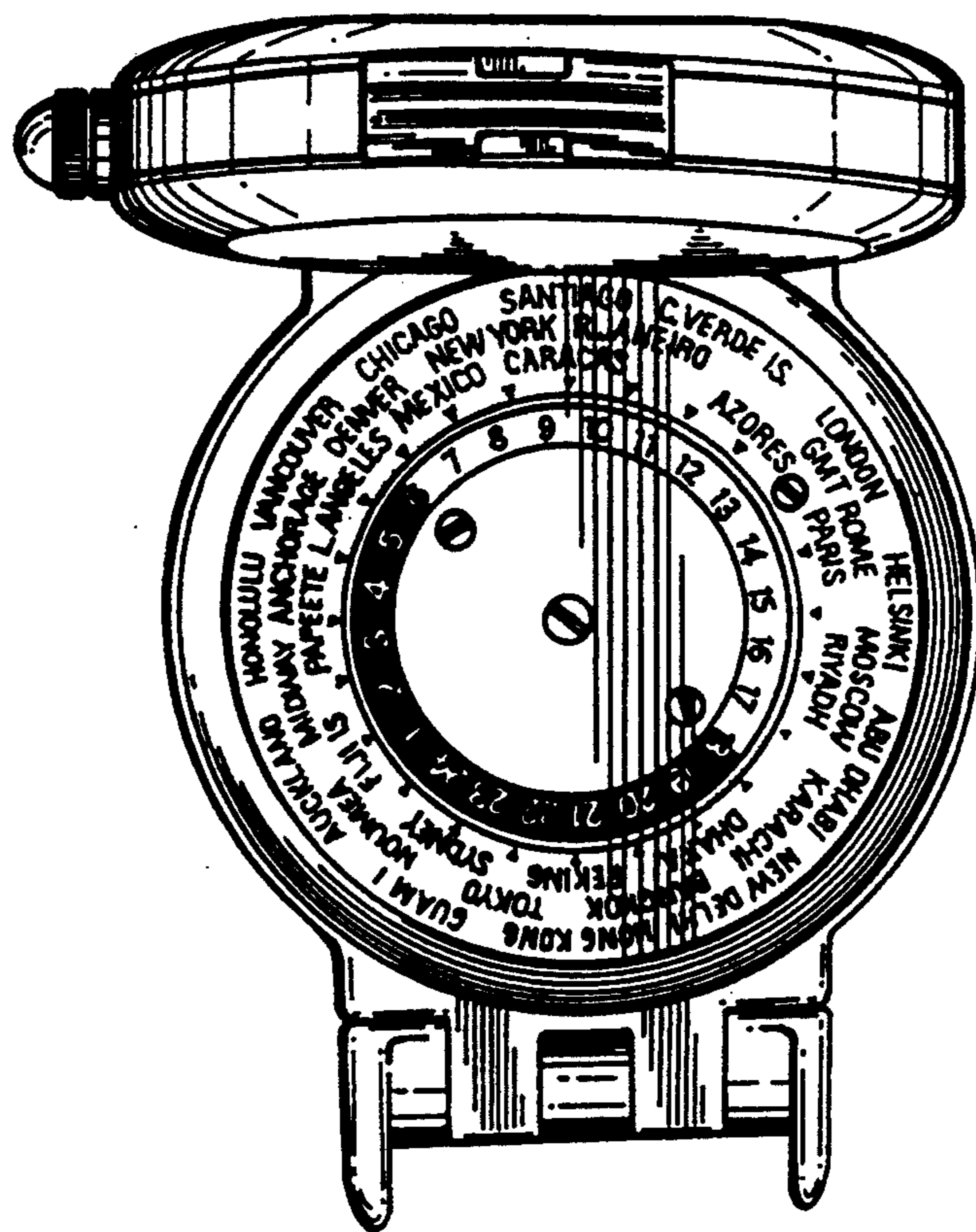
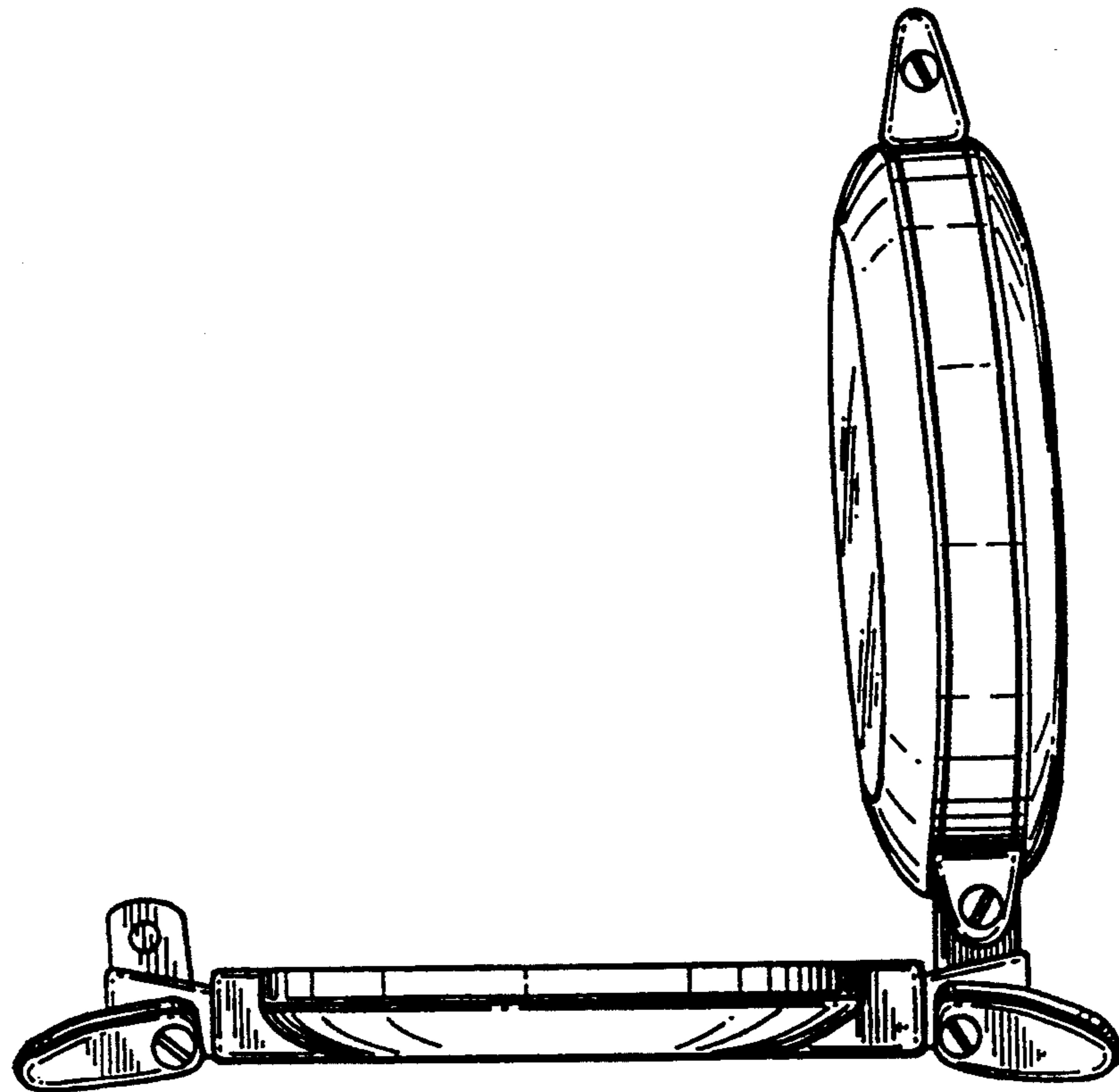


FIG. 21



*FIG. 22*

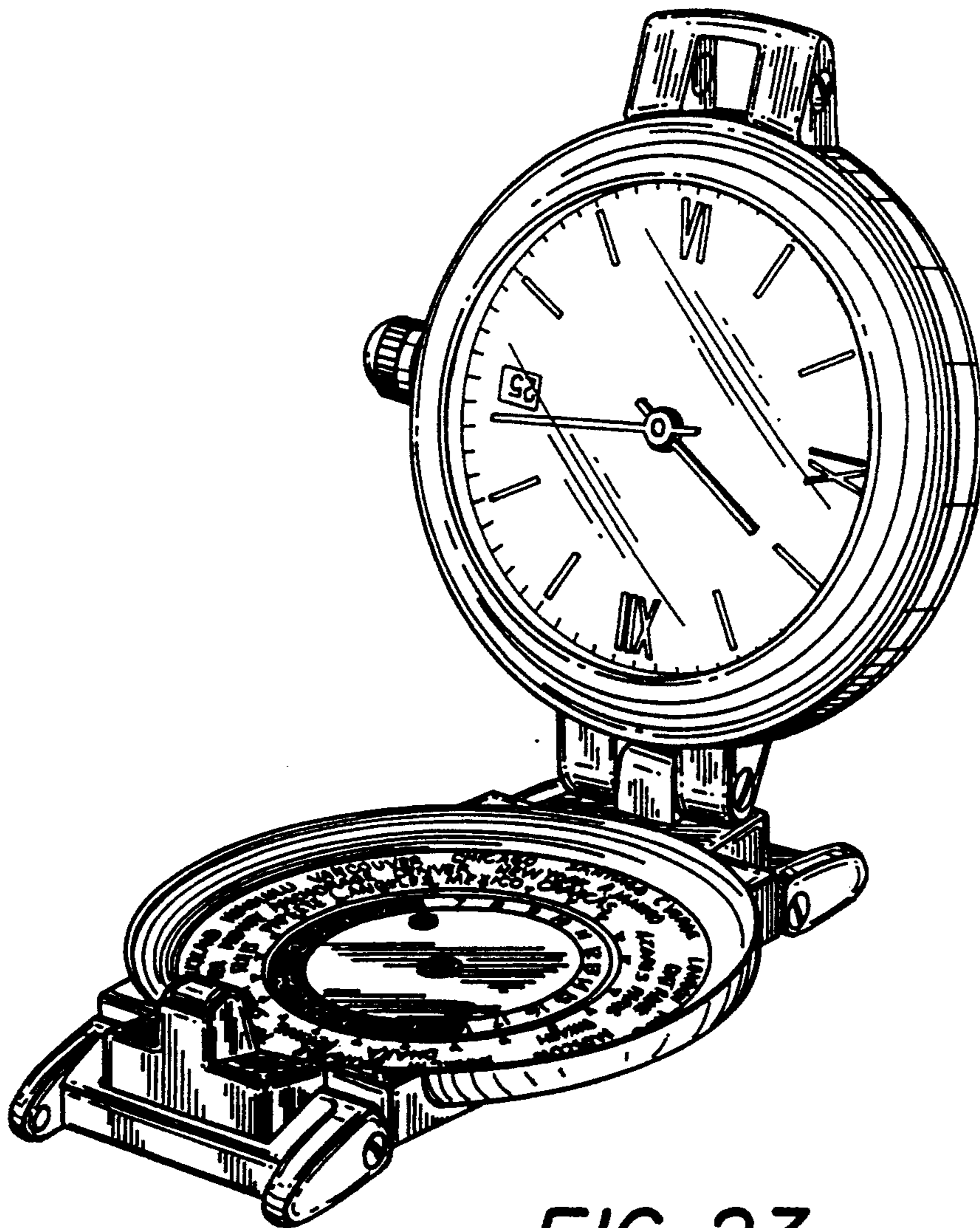


FIG. 23

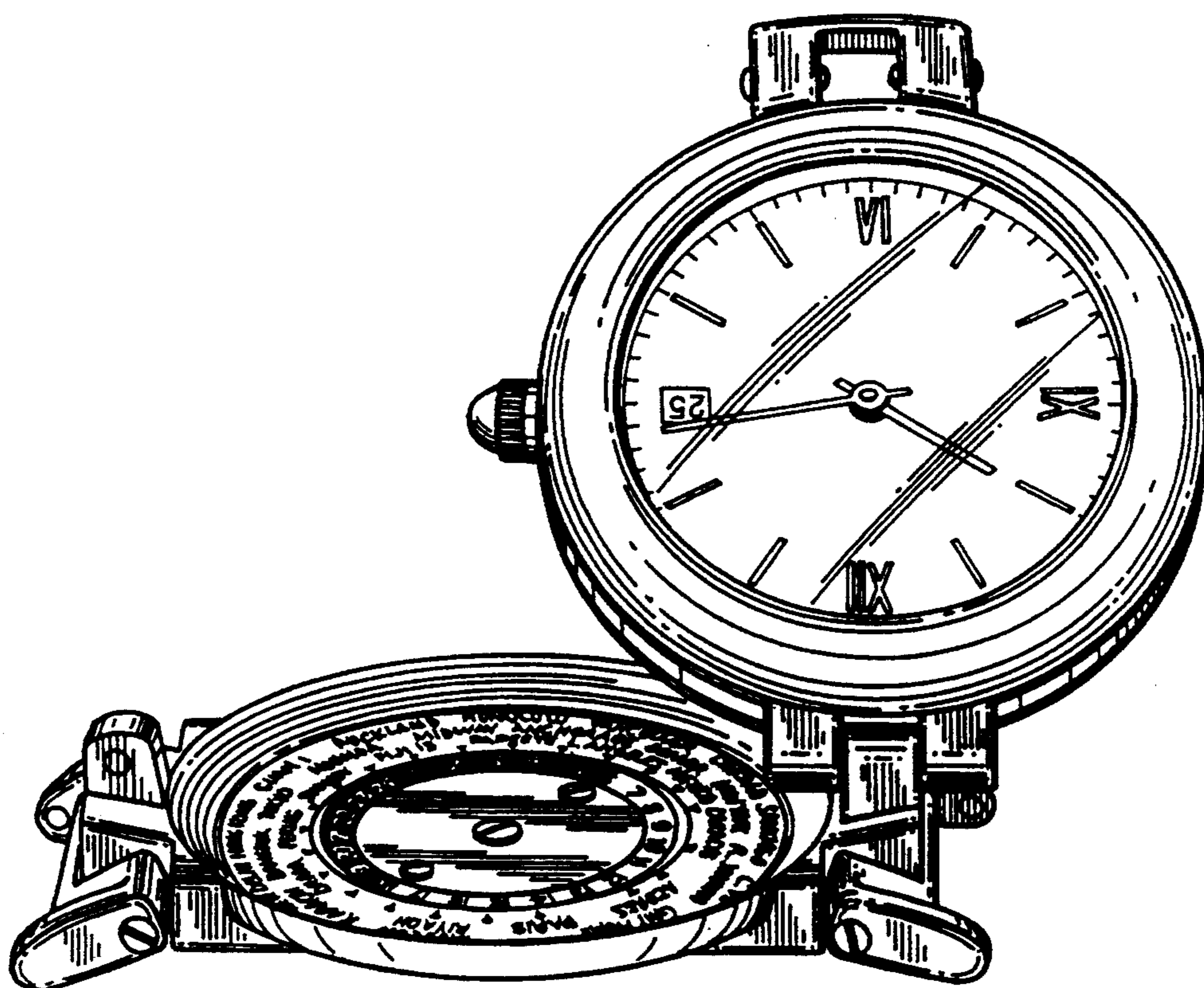


FIG. 24