



US00D352454S

United States Patent [19]

[11] Patent Number: **Des. 352,454**

Krupa

[45] Date of Patent: **** Nov. 15, 1994**

[54] **PASTRY PACKAGE**

[75] Inventor: **Calvin S. Krupa, Medina, Minn.**

[73] Assignee: **Ultra Pac, Inc., Rogers, Minn.**

[**] Term: **14 Years**

[21] Appl. No.: **12,160**

[22] Filed: **Aug. 25, 1993**

[52] U.S. Cl. **D9/425; D9/341**

[58] Field of Search **D9/424, 425, 428, 429, D9/341, 456, 432; 229/2.5 R, 902, 904; 220/4.22, 4.24, 4.26, 662, 669, 670, 675; 206/499, 561**

4,744,463 5/1988 Merzon 206/493 X
 4,832,208 5/1989 Finnegan .
 4,874,083 10/1989 Antoni et al. .
 5,005,703 4/1991 Bodker .
 5,131,551 7/1992 Wells .
 5,172,810 12/1992 Brewer 206/45.19 X

OTHER PUBLICATIONS

Packaging, Mar. 1984, p. 65.

Primary Examiner—Prabhakar G. Deshmukh
Attorney, Agent, or Firm—Haugen and Nikolai

[57] CLAIM

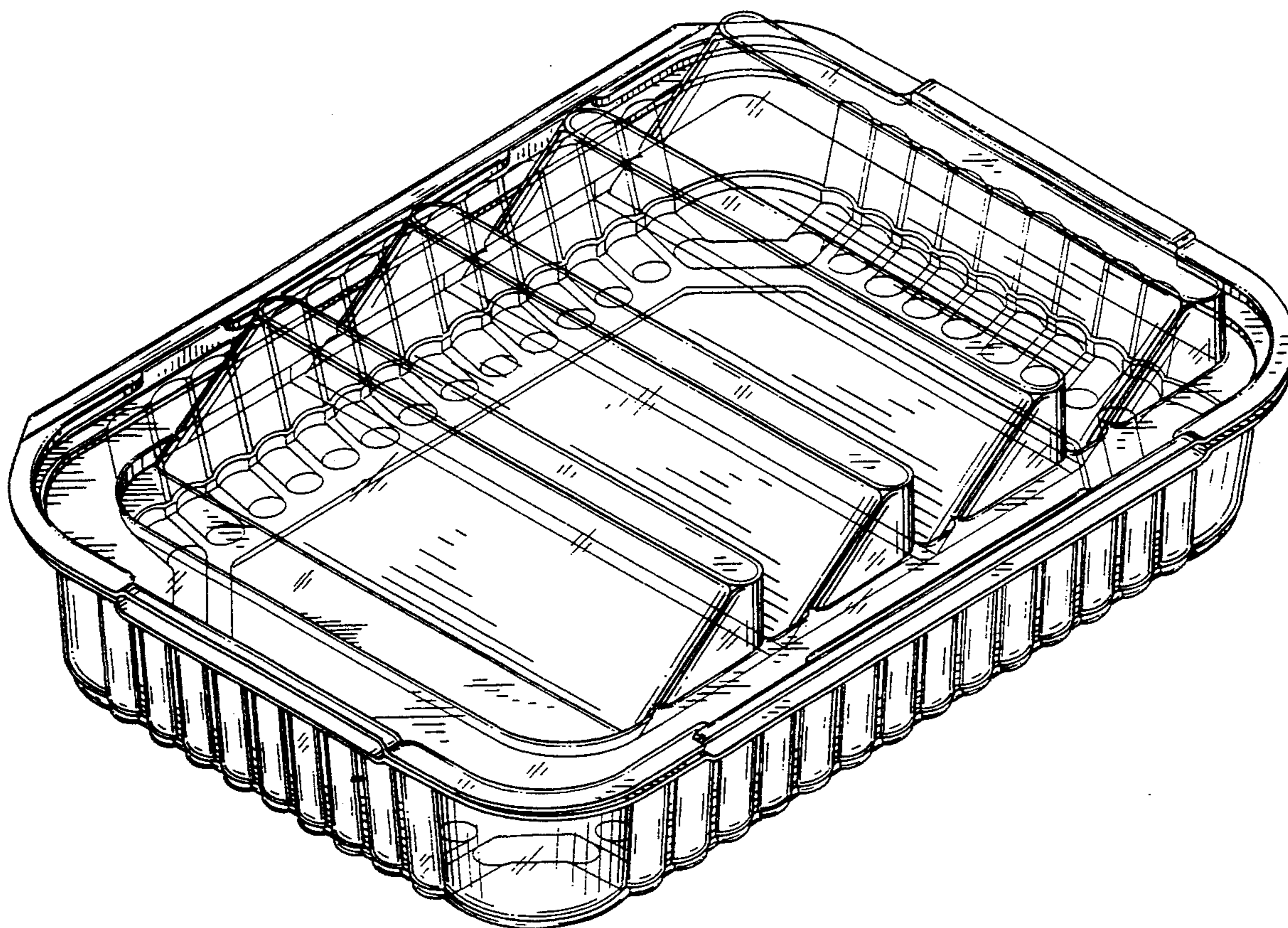
The ornamental design for the pastry package, as shown and described.

DESCRIPTION

FIG. 1 is a perspective view of a pastry package showing my new design;
 FIG. 2 is a first side plan view thereof;
 FIG. 3 is a second side plan view thereof, 90 degrees from the first side plan view; the view from the opposite side of the container being the mirror image;
 FIG. 4 is a third side plan view of the side opposite the first side view;
 FIG. 5 is a bottom plan view thereof; and,
 FIG. 6 is a top plan view thereof.

[56] **References Cited**
U.S. PATENT DOCUMENTS

D. 197,584 2/1964 Nascher et al. D9/425
 D. 275,886 10/1984 Sheward et al. D9/425 X
 3,272,371 9/1966 Weiner 229/2.5
 3,521,808 7/1970 Weiss .
 3,633,785 1/1972 Cyr et al. .
 3,934,723 1/1976 Walker .
 4,009,817 3/1977 Marshall et al. 229/2.5 R
 4,449,629 5/1984 Barrieau .
 4,501,361 2/1985 Rose, Jr. .



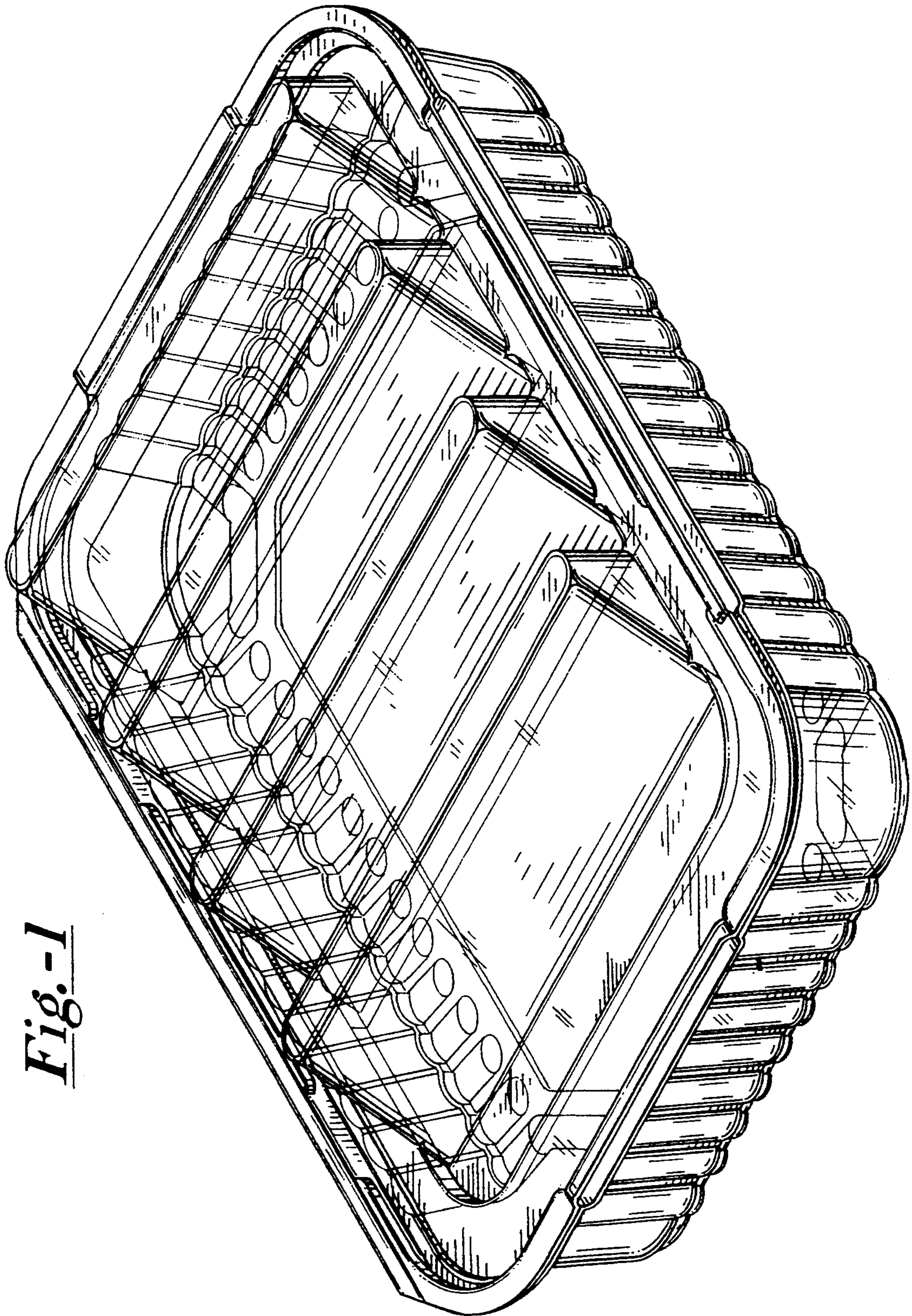


Fig.-1

Fig.-2

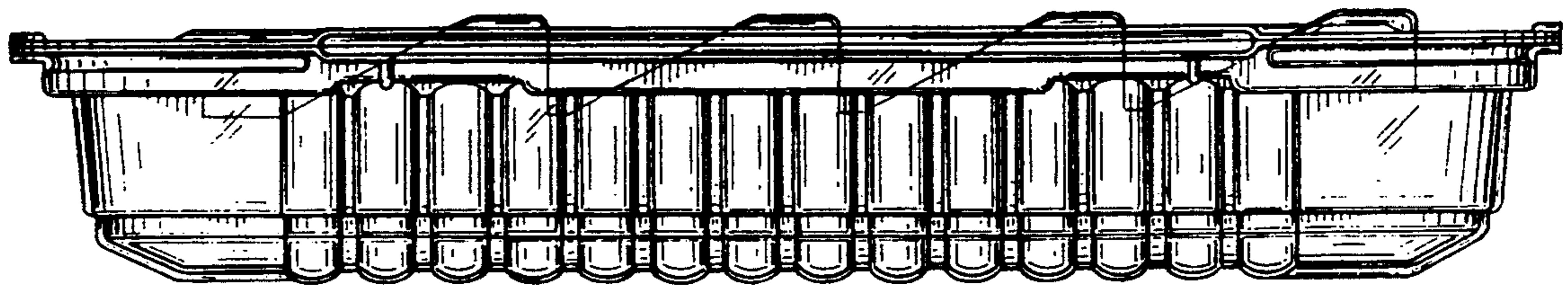


Fig.-3

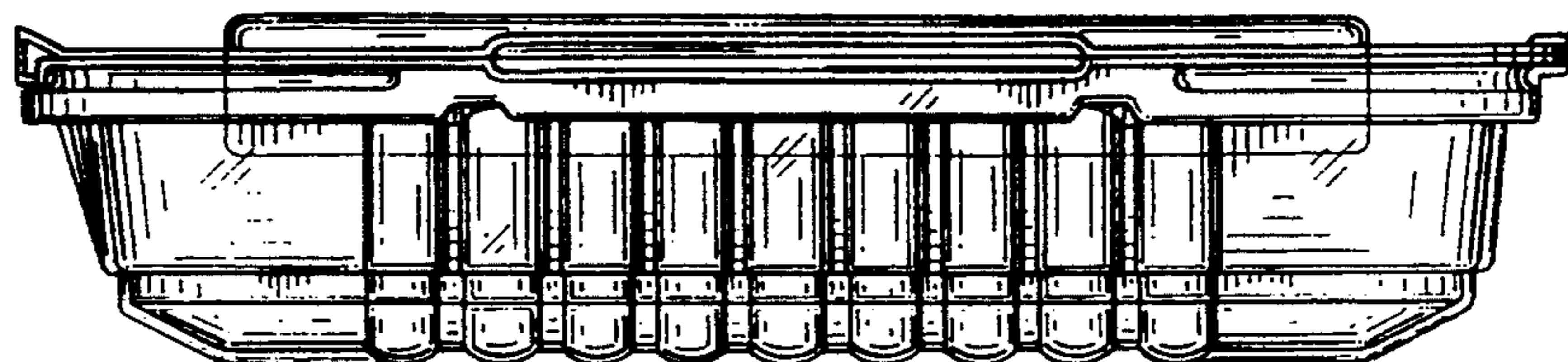


Fig.-4

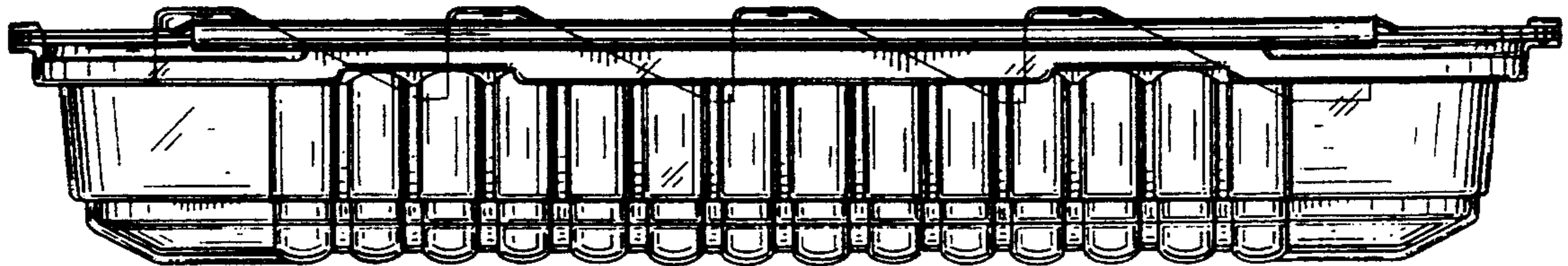


Fig.-5

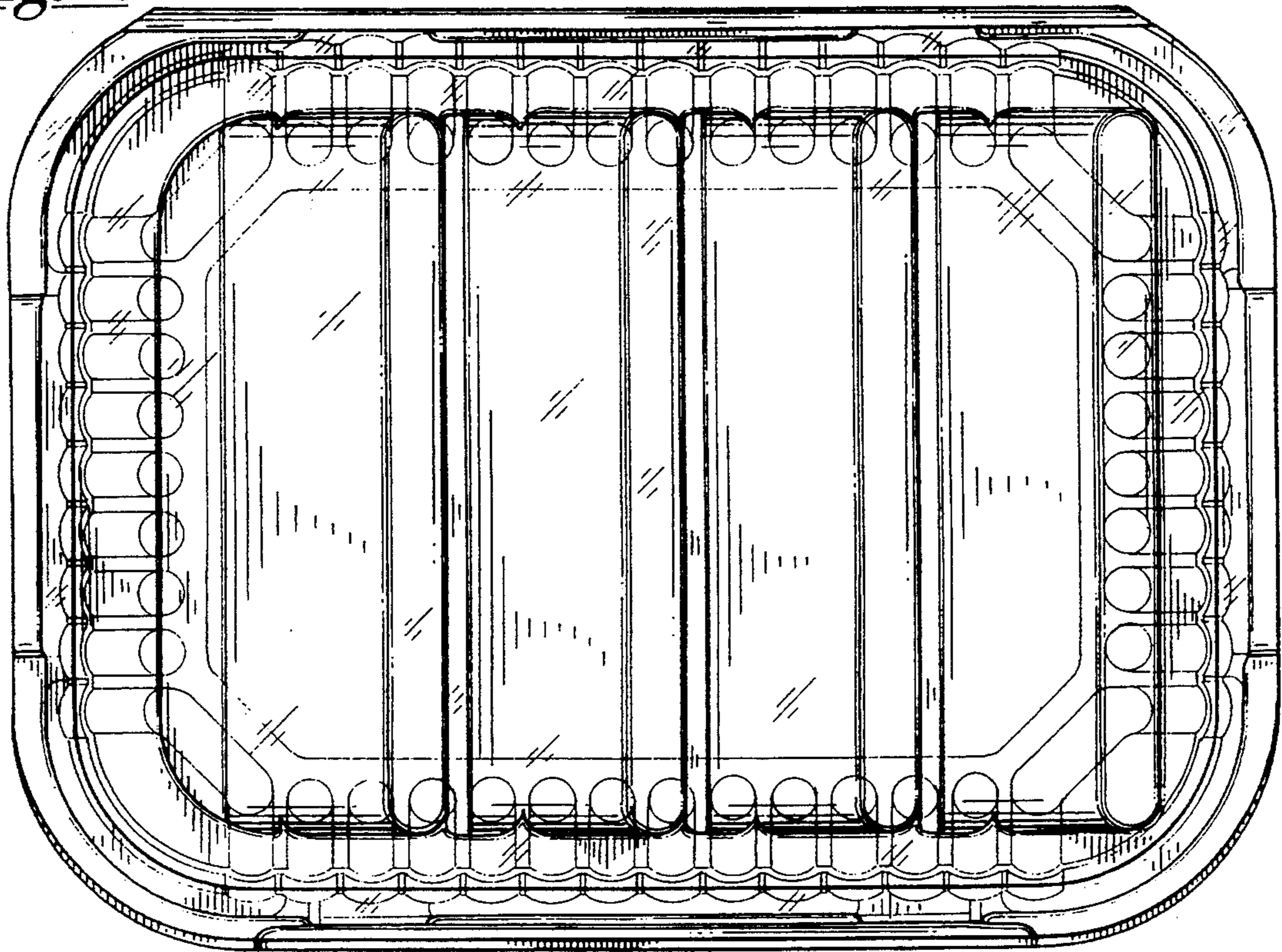


Fig.-6

