



US00D352453S

# United States Patent [19]

Bacchetti et al.

[11] Patent Number: **Des. 352,453**

[45] Date of Patent: **\*\* Nov. 15, 1994**

- [54] **BOX FOR SHIPPING ASPARAGUS**
- [75] Inventors: **Mark R. Bacchetti; Ronald E. Heiskell**, both of Tracy; **Ezra E. Theys**, San Mateo, all of Calif.
- [73] Assignee: **Advanced Container Corporation**, Tracy, Calif.
- [\*\*] Term: **14 Years**
- [21] Appl. No.: **11,007**
- [22] Filed: **Jul. 23, 1993**
- [52] U.S. Cl. .... **D9/418; D9/346; D9/431**
- [58] Field of Search ..... **D9/418, 432, 346, 341, D9/415, 433, 431; 229/162, 112, 113, 120, 120.1; 206/521.1, 45.34, 45.31, 44 R, 590, 589**

- 4,353,495 10/1982 Jes ..... 206/521.1 X
- 5,181,651 1/1993 Oppenheim ..... 229/120 X
- 5,263,612 11/1993 Nederveld ..... 229/162 X

### OTHER PUBLICATIONS

Modern Packaging, 1972-1973, p. 133 as marked by arrow.

*Primary Examiner*—Prabhakar G. Deshmukh  
*Attorney, Agent, or Firm*—Burns, Doane, Swecker & Mathis

### [56] References Cited

#### U.S. PATENT DOCUMENTS

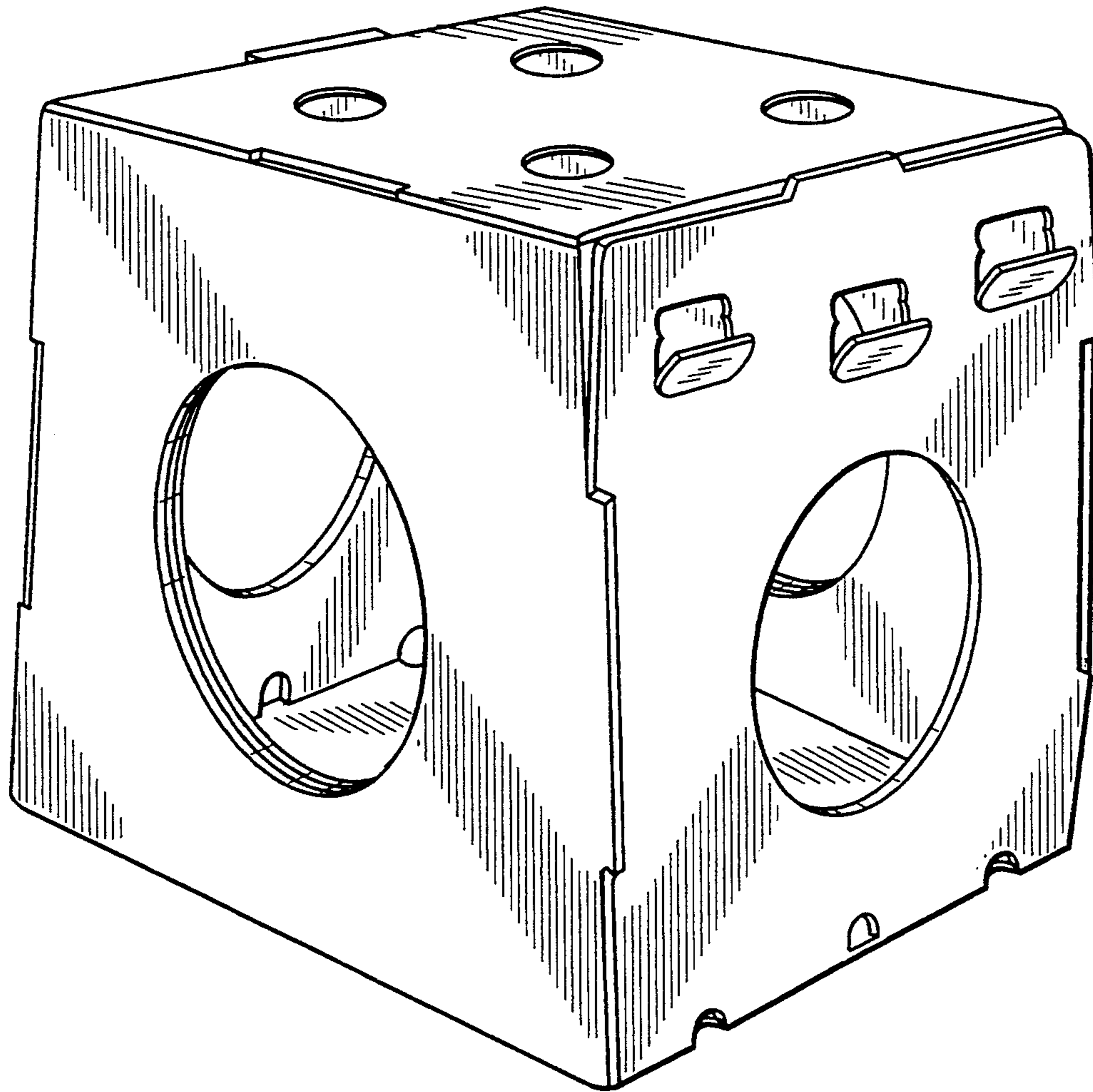
- D. 229,170 11/1973 Schipper ..... D9/418
- D. 232,811 9/1974 Edgeington et al. .... D9/418
- 3,863,829 2/1975 Merrill ..... 229/120 X
- 4,127,228 11/1978 Hall ..... 229/113 X

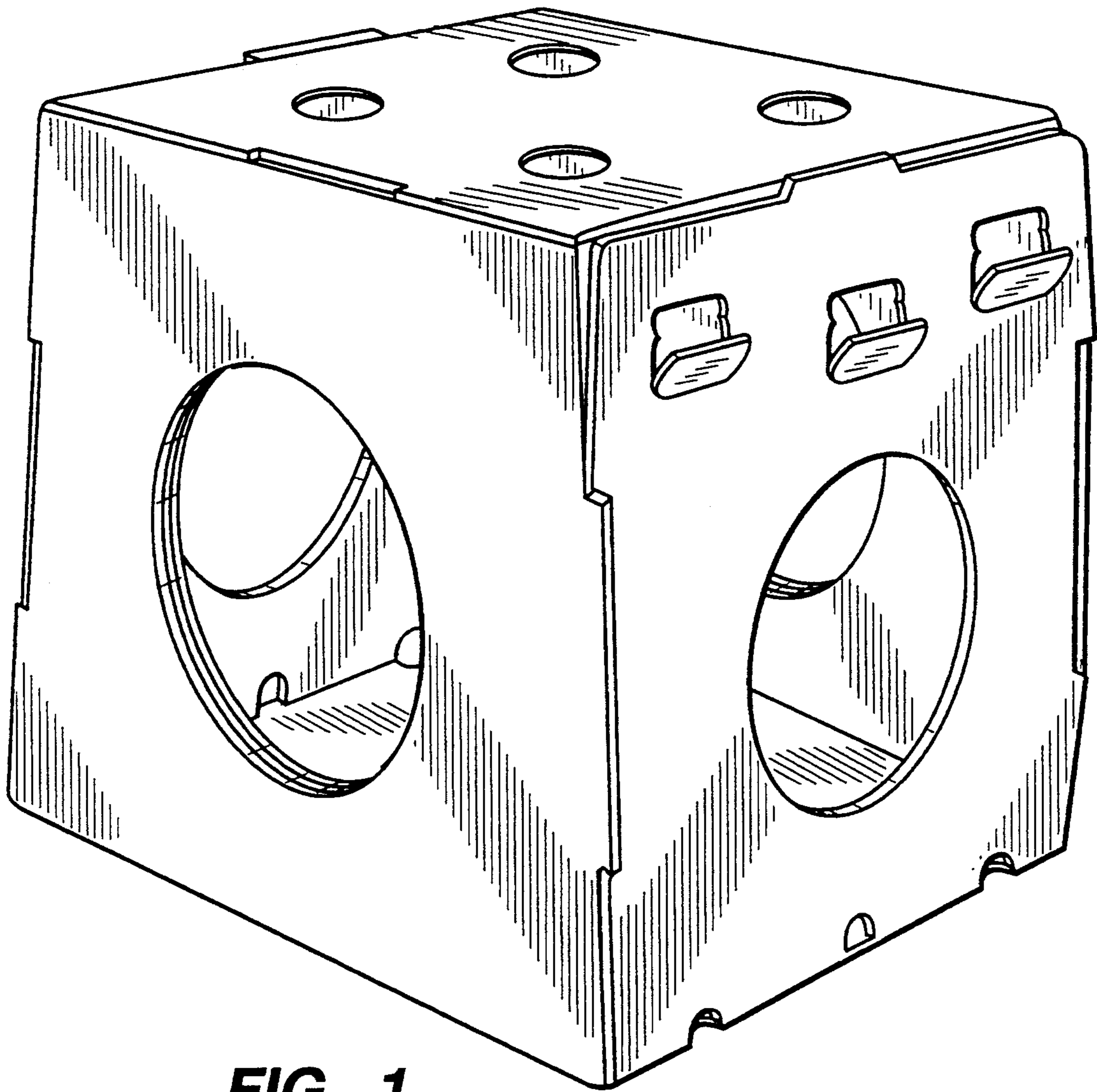
### [57] CLAIM

The ornamental design for a box for shipping asparagus, as shown and described.

### DESCRIPTION

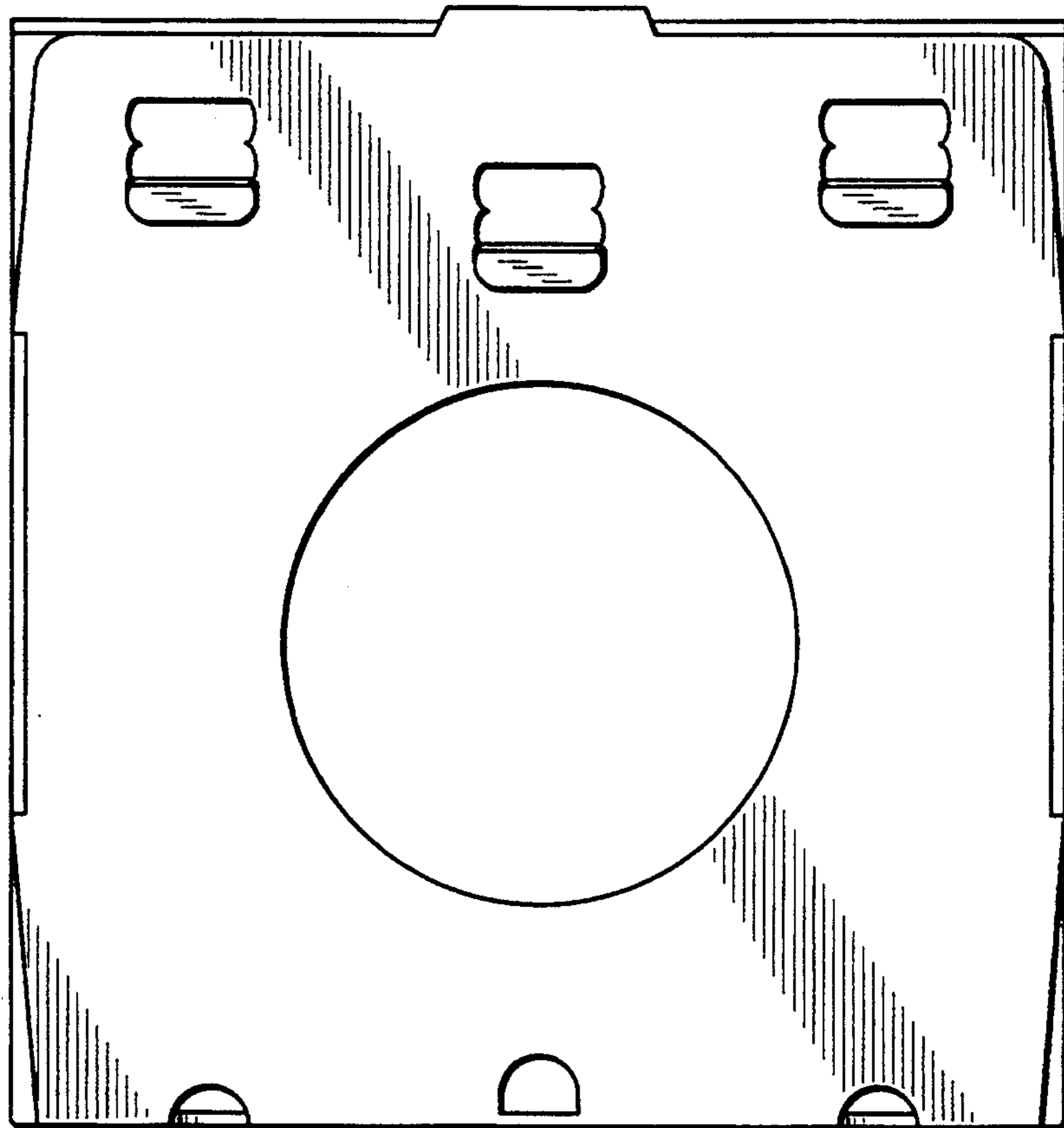
FIG. 1 is a perspective view of a box for shipping asparagus, showing my new design;  
 FIG. 2 is a front elevation view thereof;  
 FIG. 3 is a left side elevational view thereof;  
 FIG. 4 is a rear elevational view thereof;  
 FIG. 5 is a right side elevational view thereof;  
 FIG. 6 is a top plan view thereof; and,  
 FIG. 7 is a bottom plan view thereof.



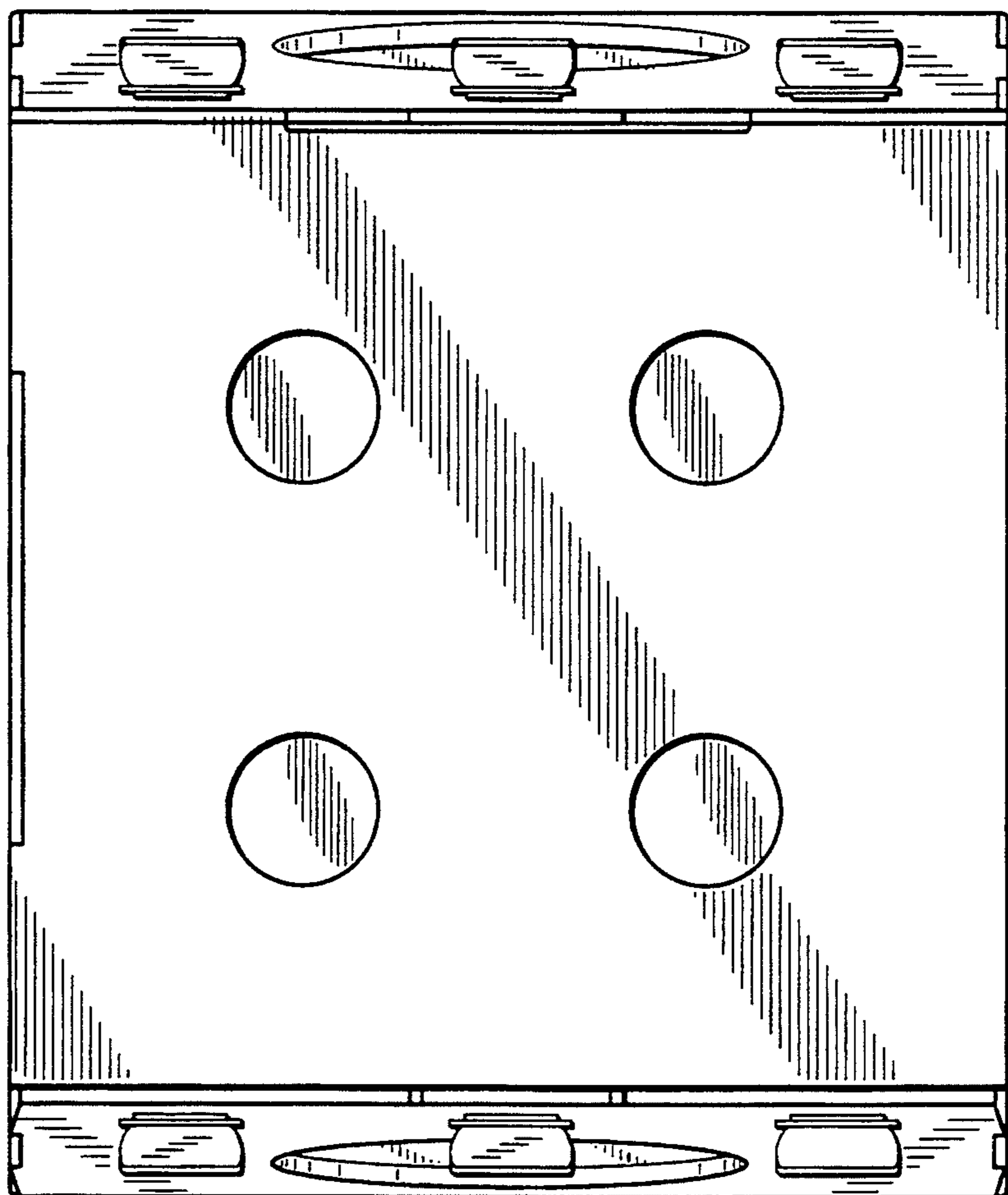


**FIG. 1**

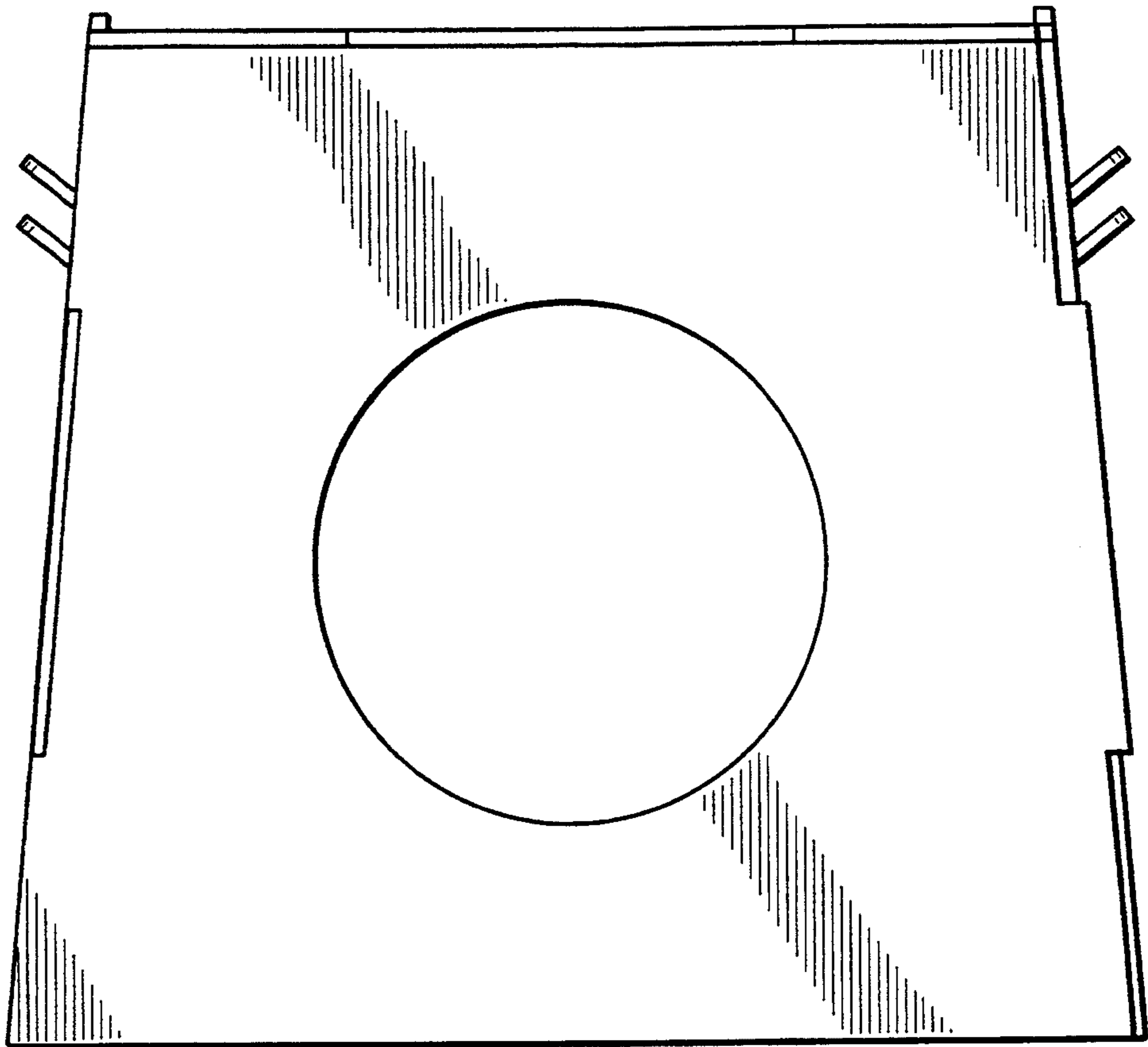
**FIG.\_2**



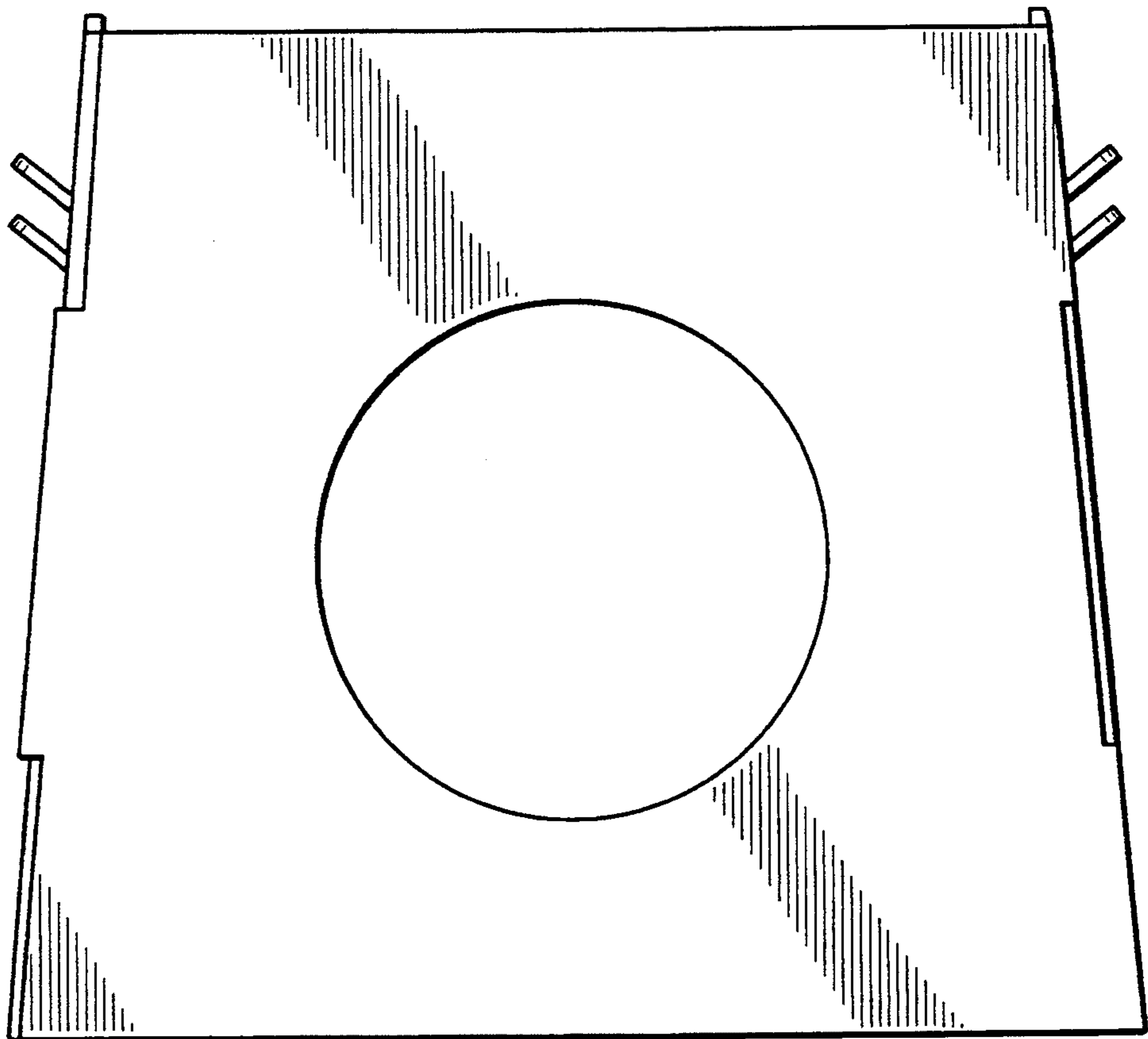
**FIG.\_6**



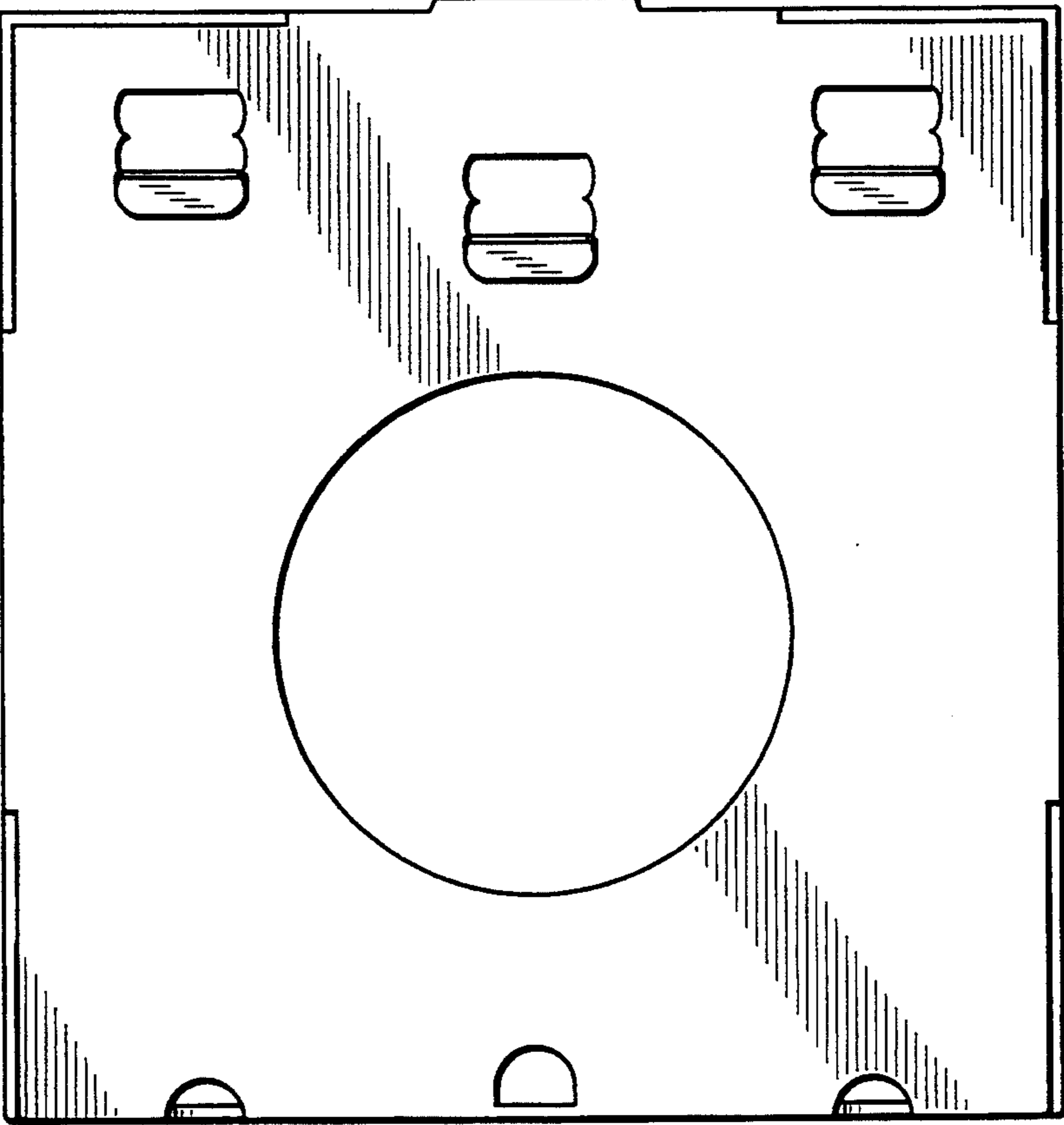
**FIG.\_3**



**FIG.\_5**



**FIG.\_4**



**FIG.\_7**

