



US00D352452S

United States Patent [19]

[11] Patent Number: **Des. 352,452**

Asai

[45] Date of Patent: **** Nov. 15, 1994**

[54] **PACKAGING BOX FOR OPTICAL DISC SHUTTERS**

2,718,326	9/1955	Le Blanc	206/561 X
3,165,200	1/1965	Hanson	206/45.14
3,266,704	8/1966	Deeren	206/561 X
3,934,789	1/1976	Allman et al.	229/2.5 R

[75] Inventor: **Toshikazu Asai**, Tokyo, Japan

[73] Assignee: **Kato Spring Works Co., Ltd.**, Tokyo, Japan

Primary Examiner—Prabhakar G. Deshmukh
Attorney, Agent, or Firm—Thompson, Hine & Flory

[**] Term: **14 Years**

[57] **CLAIM**

[21] Appl. No.: **11,625**

The ornamental design for a packaging box for optical disc shutters, as shown and described.

[22] Filed: **Aug. 10, 1993**

DESCRIPTION

[30] **Foreign Application Priority Data**

FIG. 1 is a perspective view of a packaging box for optical disc shutters showing my new design;
 FIG. 2 is a top plan view thereof;
 FIG. 3 is a bottom view thereof;
 FIG. 4 is a front elevation view thereof;
 FIG. 5 is a rear elevation view thereof;
 FIG. 6 is a right side elevation view thereof;
 FIG. 7 is a left side elevation view thereof;
 FIG. 8 is a cross-sectional view taken along line 8—8 in FIG. 2; and,
 FIG. 9 is a cross-sectional view taken along line 9—9 in FIG. 2.

Feb. 17, 1993 [JP] Japan 5-4326

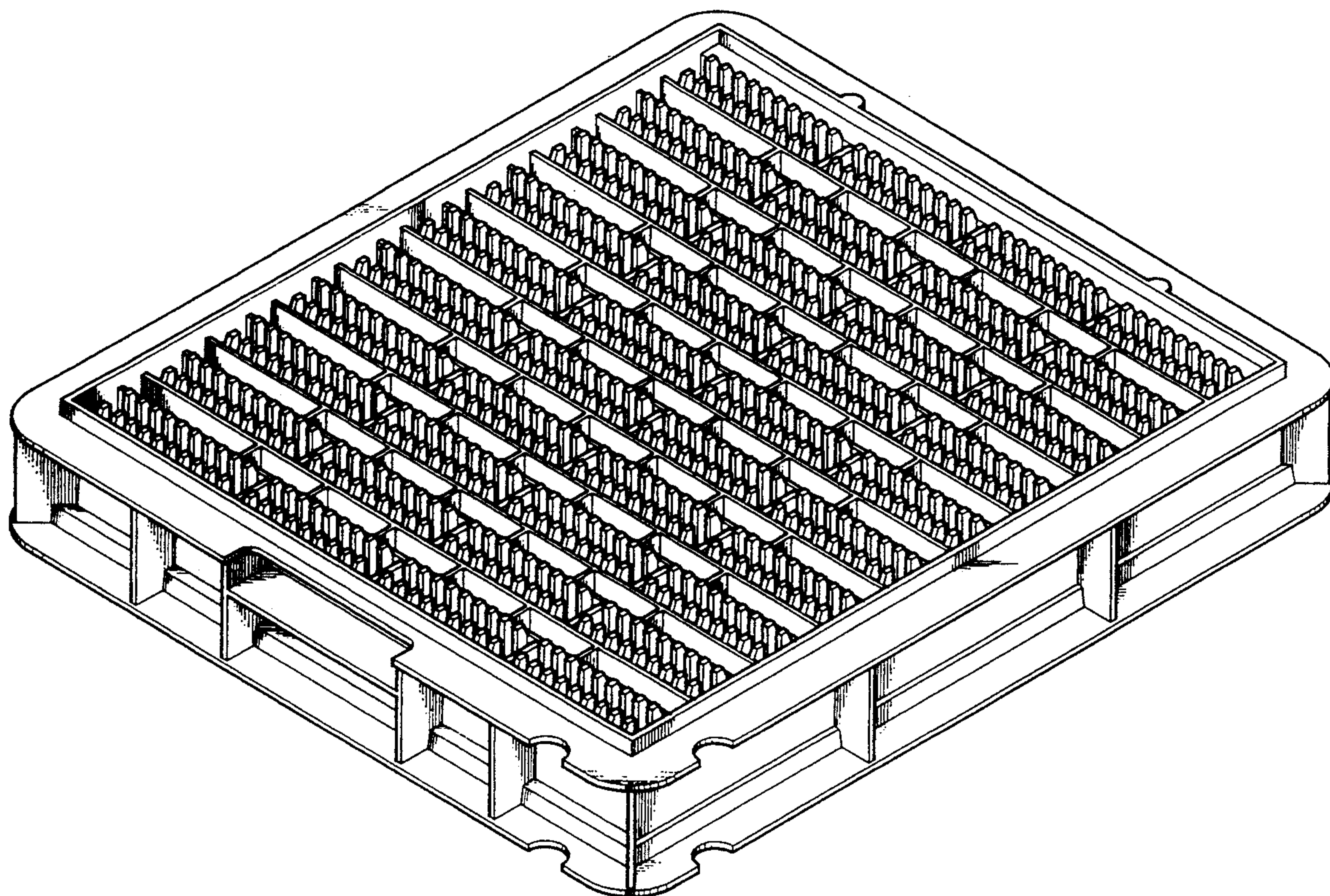
[52] U.S. Cl. **D9/341**

[58] Field of Search D9/341, 345, 347, 348, D9/337, 456, 424, 425; 206/444, 445, 503, 557, 561, 564, 565, 449; D3/313, 314

[56] **References Cited**

U.S. PATENT DOCUMENTS

D. 318,420	7/1991	Amelse	D9/425 X
D. 332,673	1/1993	Kovatch	D3/313 X



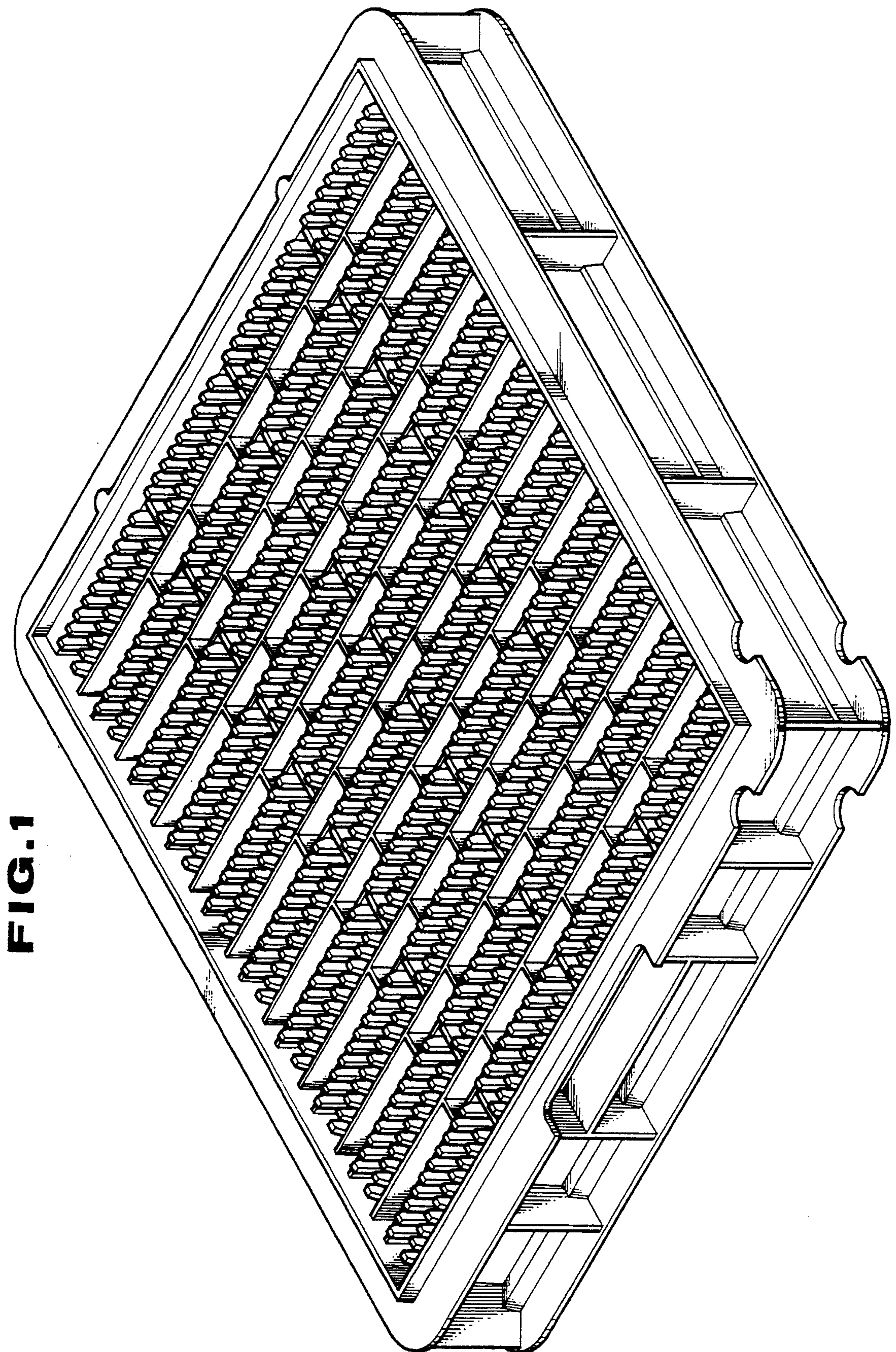


FIG. 1

FIG. 2

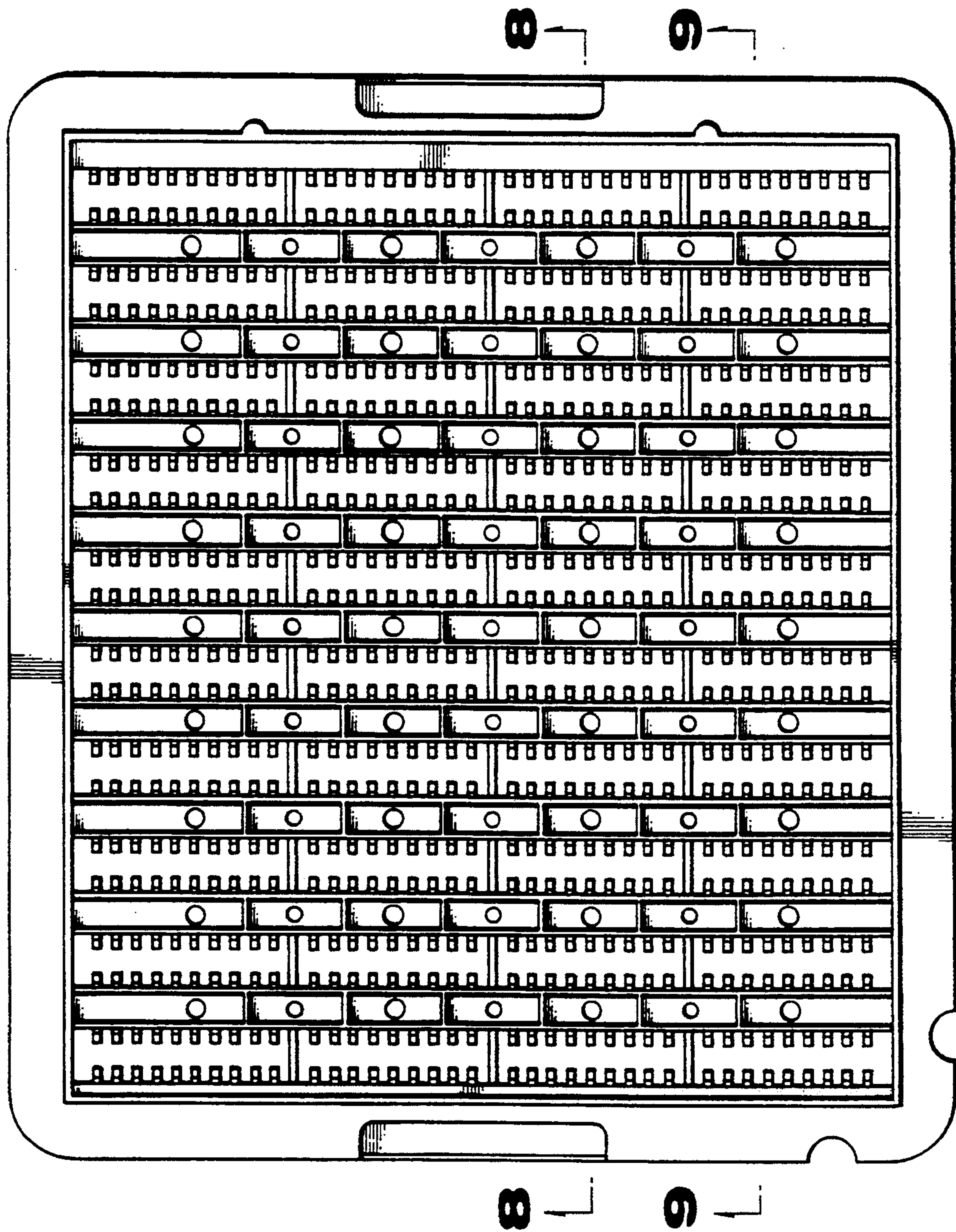


FIG. 3

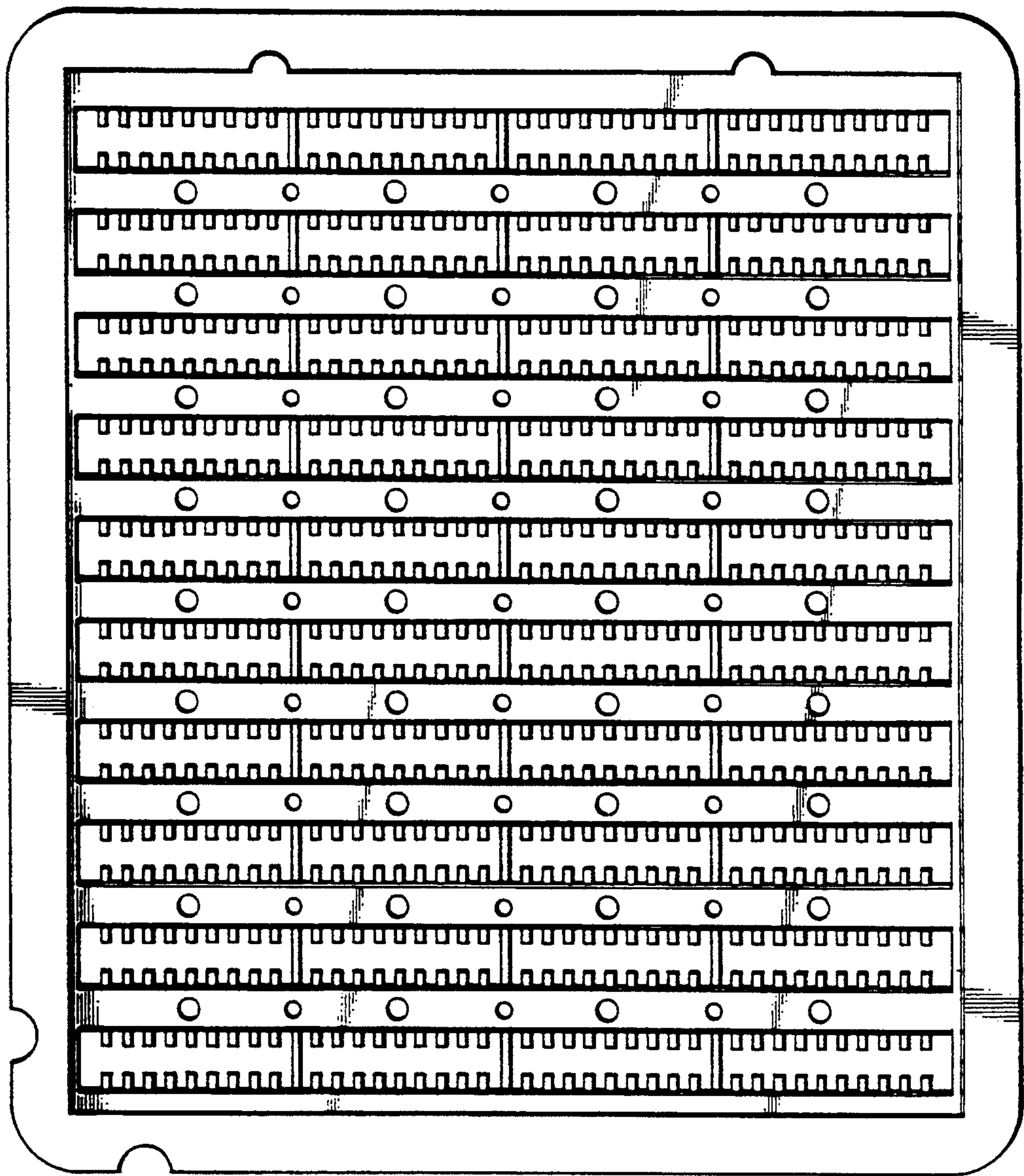


FIG. 4

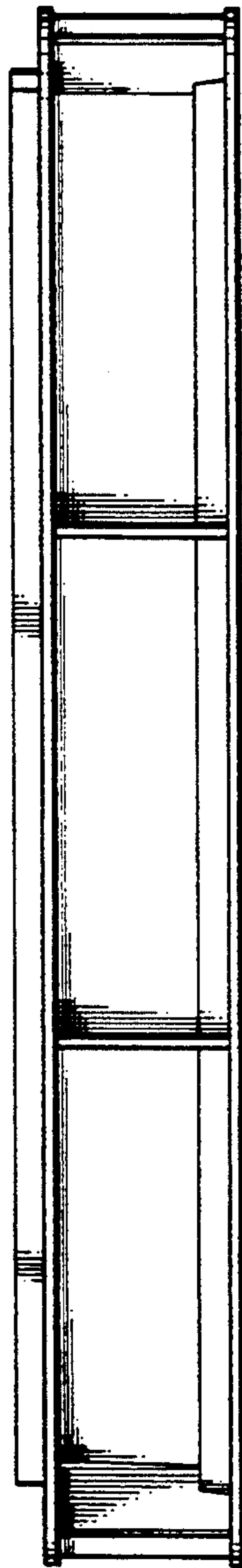


FIG. 5

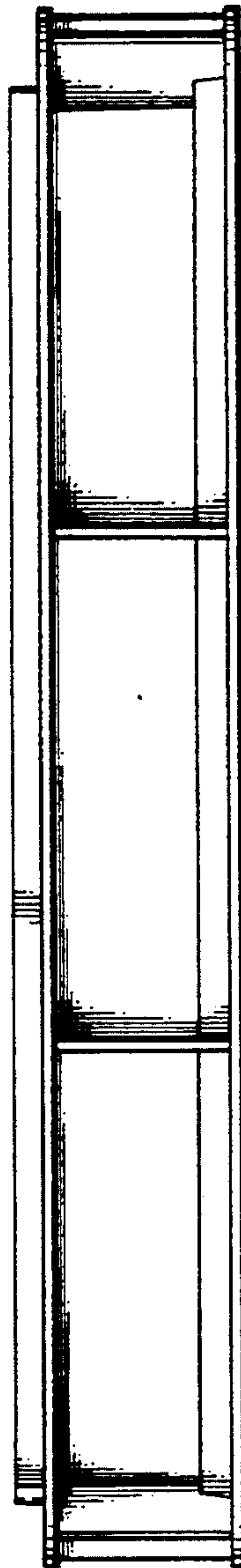


FIG. 6

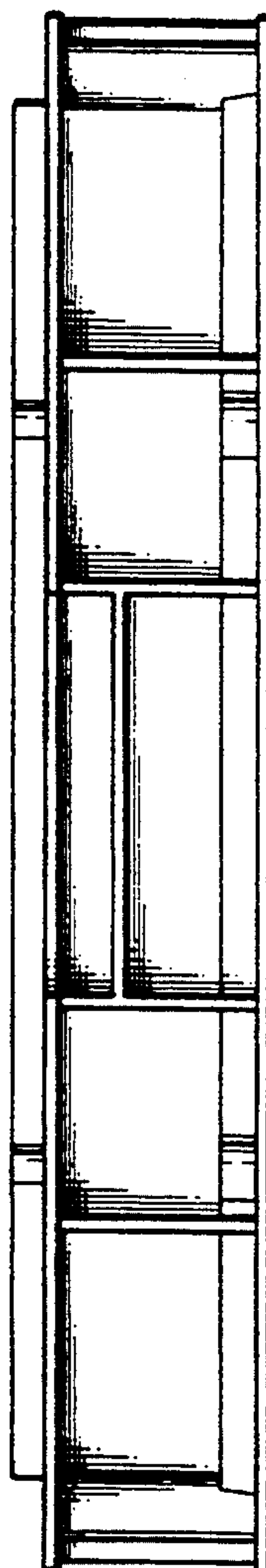


FIG. 7

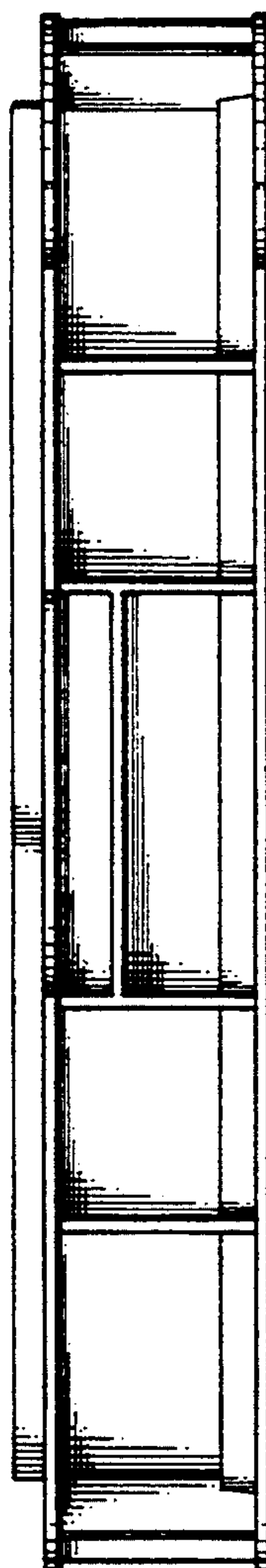


FIG. 8

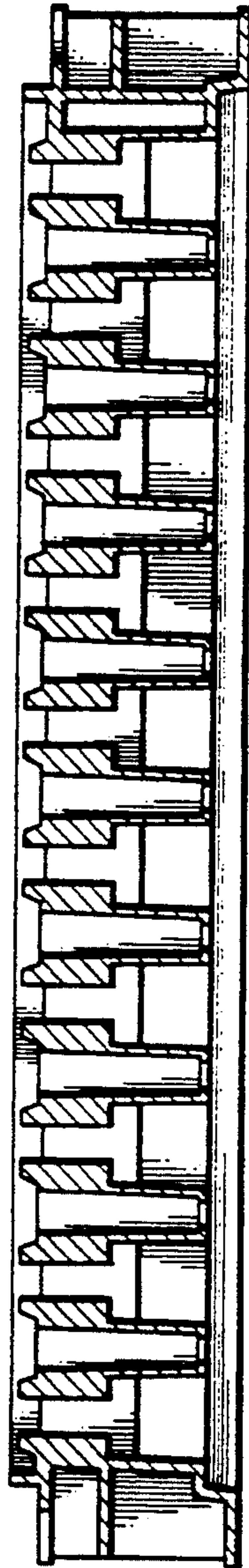


FIG. 9

