



US00D352442S

United States Patent [19]

[11] Patent Number: **Des. 352,442**

Lee-Chang

[45] Date of Patent: **** Nov. 15, 1994**

[54] **HANDLEBAR GRIP**

- [75] Inventor: **Chen Lee-Chang**, Tainan Hsien, Taiwan, Prov. of China
- [73] Assignee: **Co-Union Industry Co., Ltd.**, Tainan Hsien, Taiwan, Prov. of China
- [**] Term: **14 Years**
- [21] Appl. No.: **3,643**
- [22] Filed: **Jan. 12, 1993**
- [52] U.S. Cl. **D8/303**
- [58] Field of Search **D8/303; 74/551.1, 551.8, 74/551.9**

- [56] **References Cited**
- U.S. PATENT DOCUMENTS**
- D. 269,408 6/1983 Merritt D8/303
 - D. 269,850 7/1983 Preisler et al. D8/303
 - D. 298,309 11/1988 Coue D8/303

OTHER PUBLICATIONS

American Bicyclist & Motorcyclist; Mar. 1989, p. 41, the Saturn Series Grip.

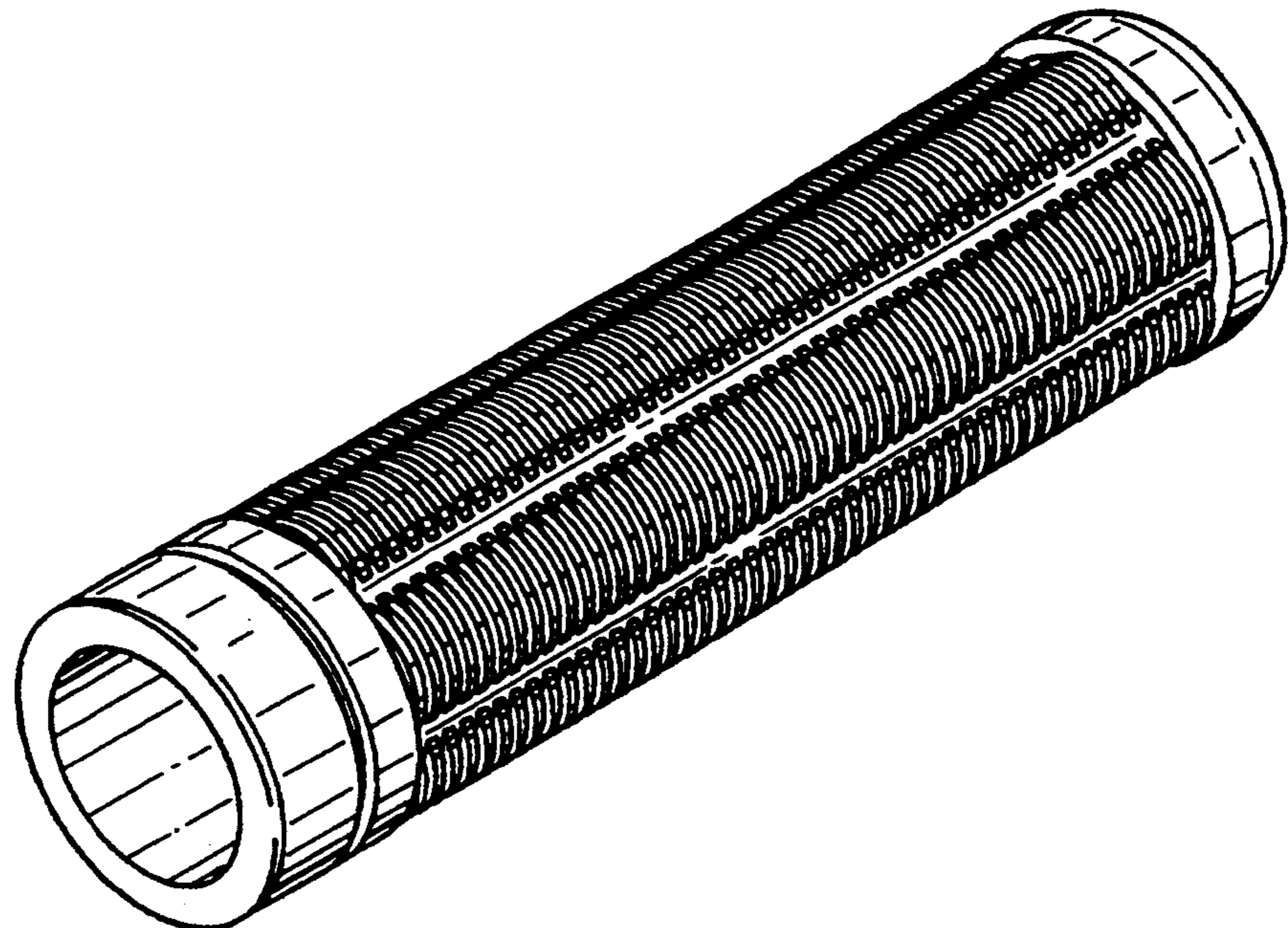
Primary Examiner—Wallace R. Burke
Assistant Examiner—M. Brown
Attorney, Agent, or Firm—Bacon & Thomas

[57] **CLAIM**

The ornamental design for a handlebar grip, as shown.

DESCRIPTION

FIG. 1 is a front elevational view of handlebar grip showing my new design;
 FIG. 2 is a rear elevational view thereof;
 FIG. 3 is a right side elevational view thereof;
 FIG. 4 is left side elevational view thereof;
 FIG. 5 is a top plan view thereof;
 FIG. 6 is a bottom plan view thereof; and,
 FIG. 7 is a perspective view thereof.



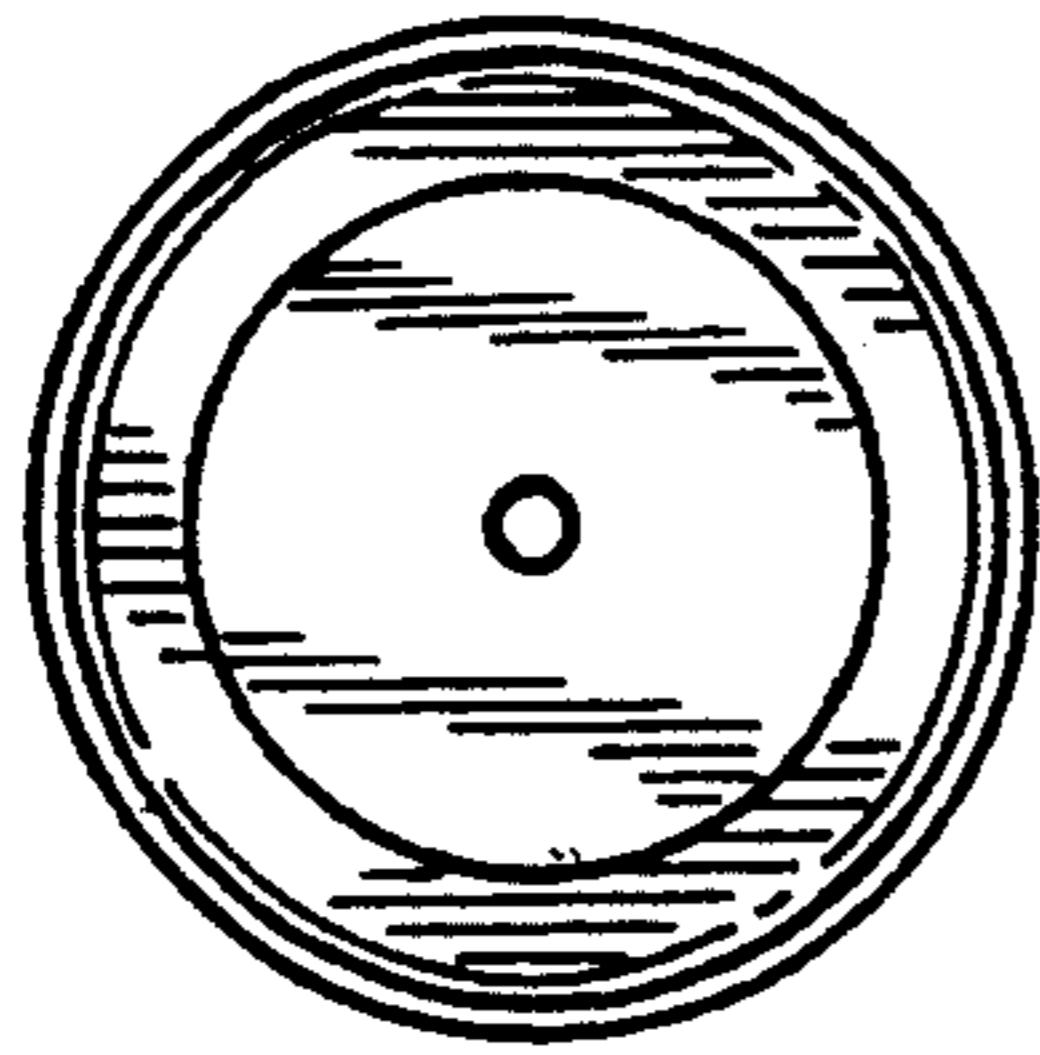


FIG. 1

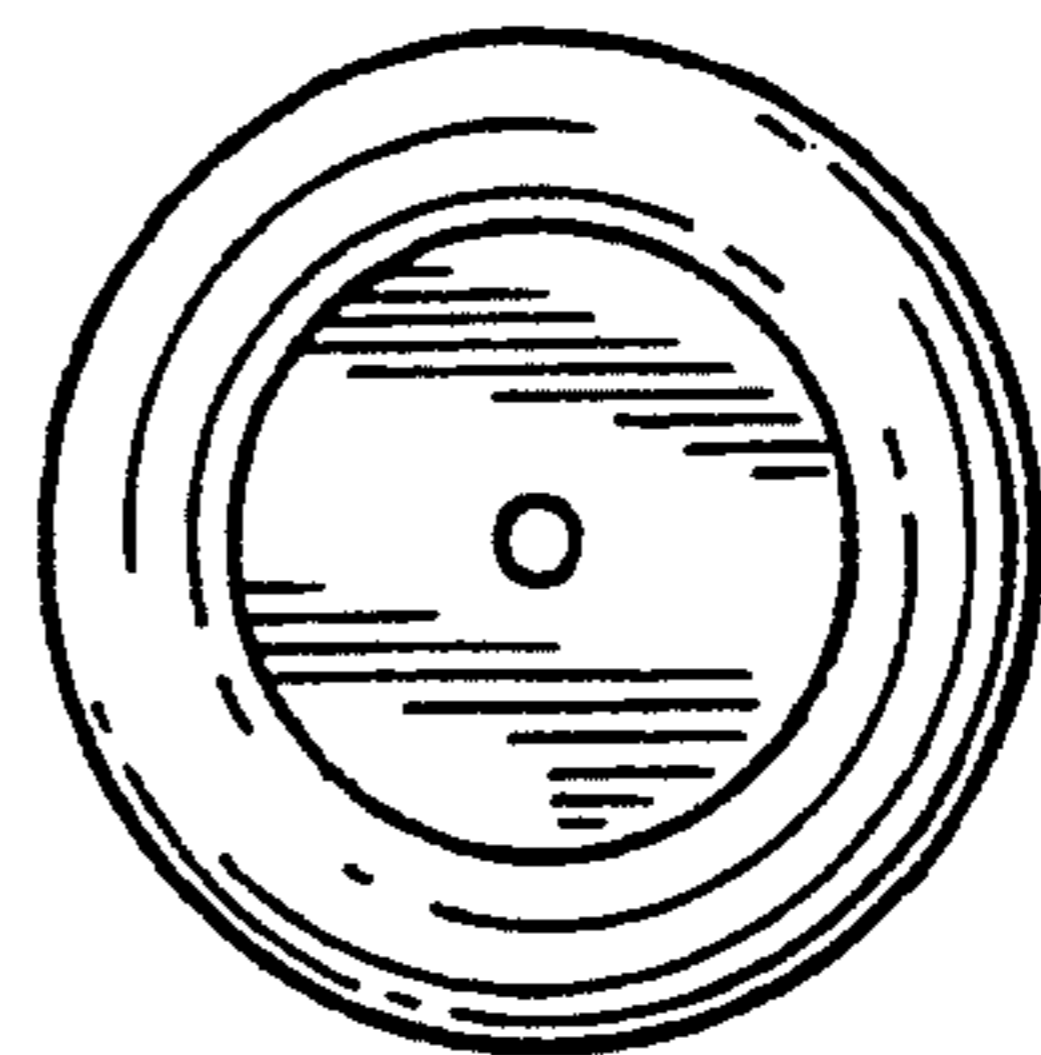


FIG. 2

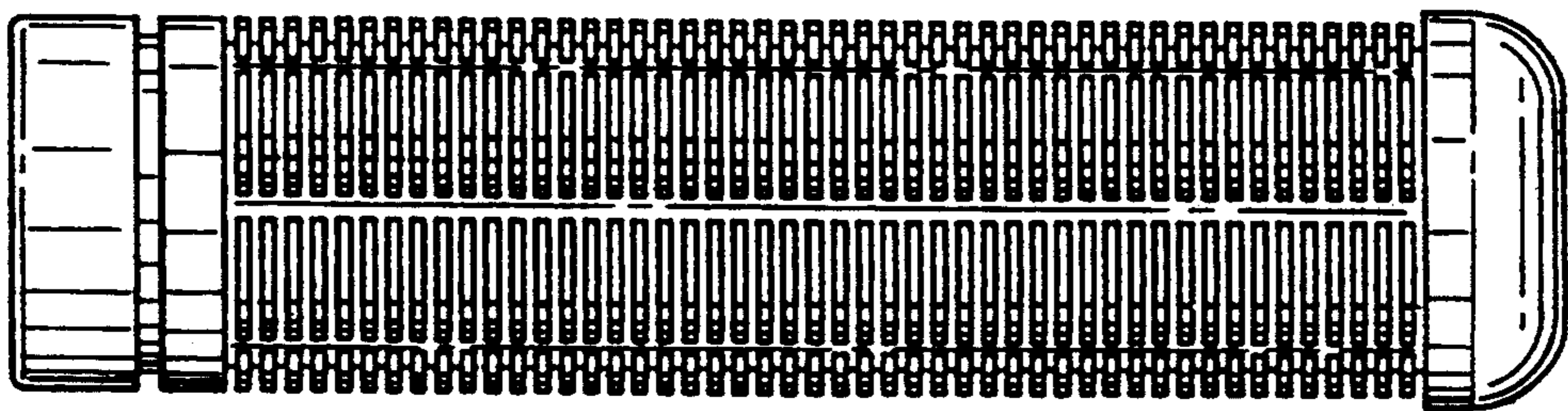


FIG. 3

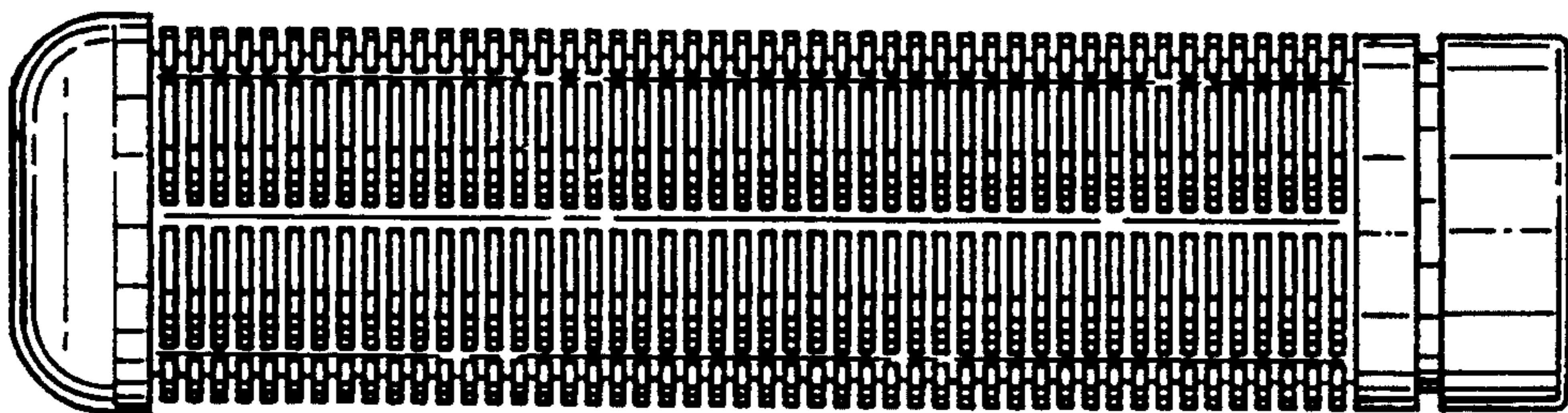


FIG. 4

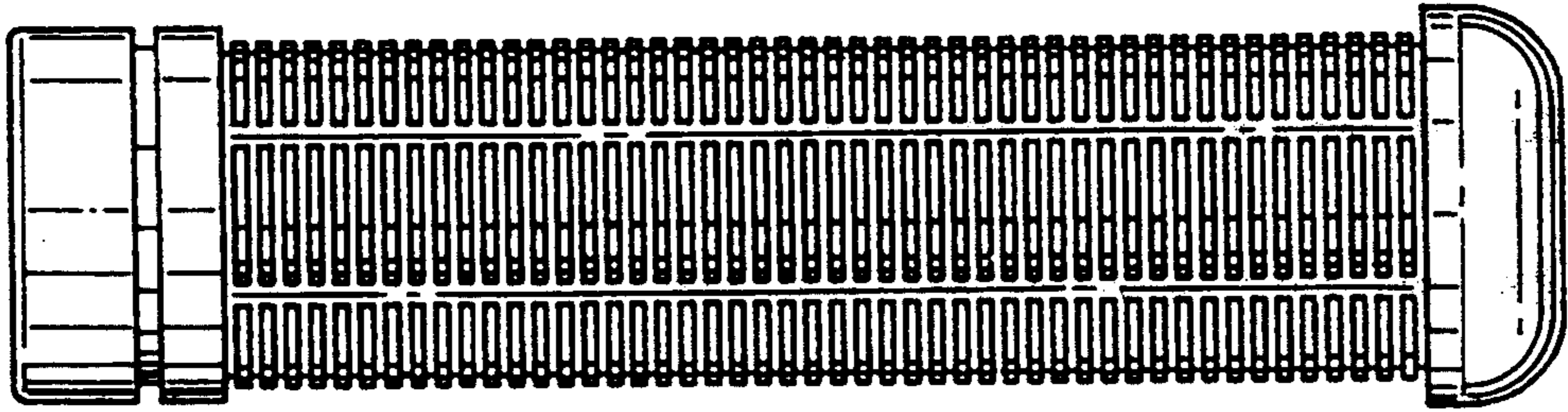


FIG. 5

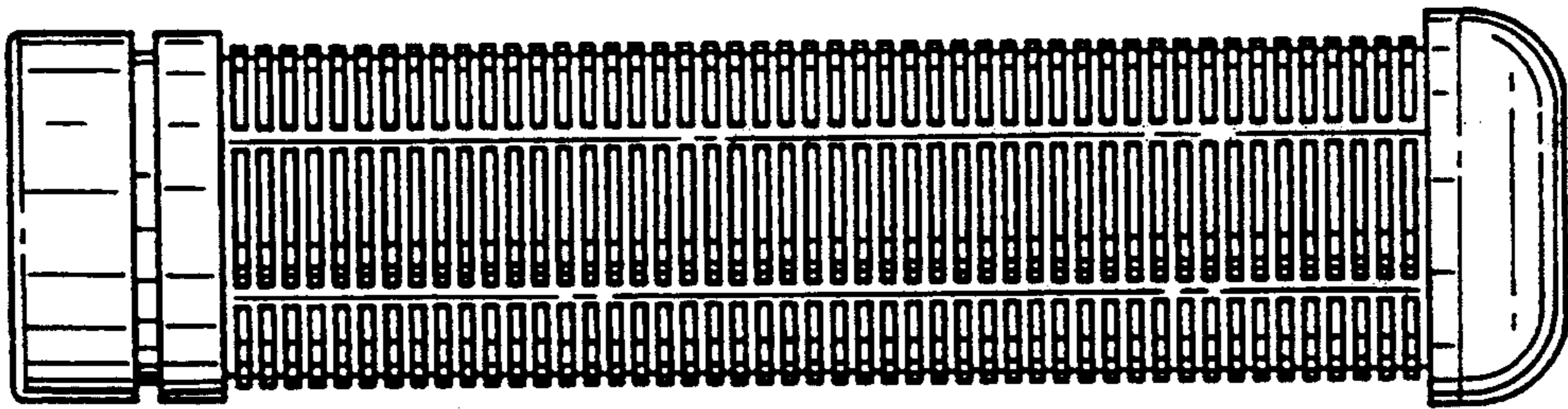


FIG. 6

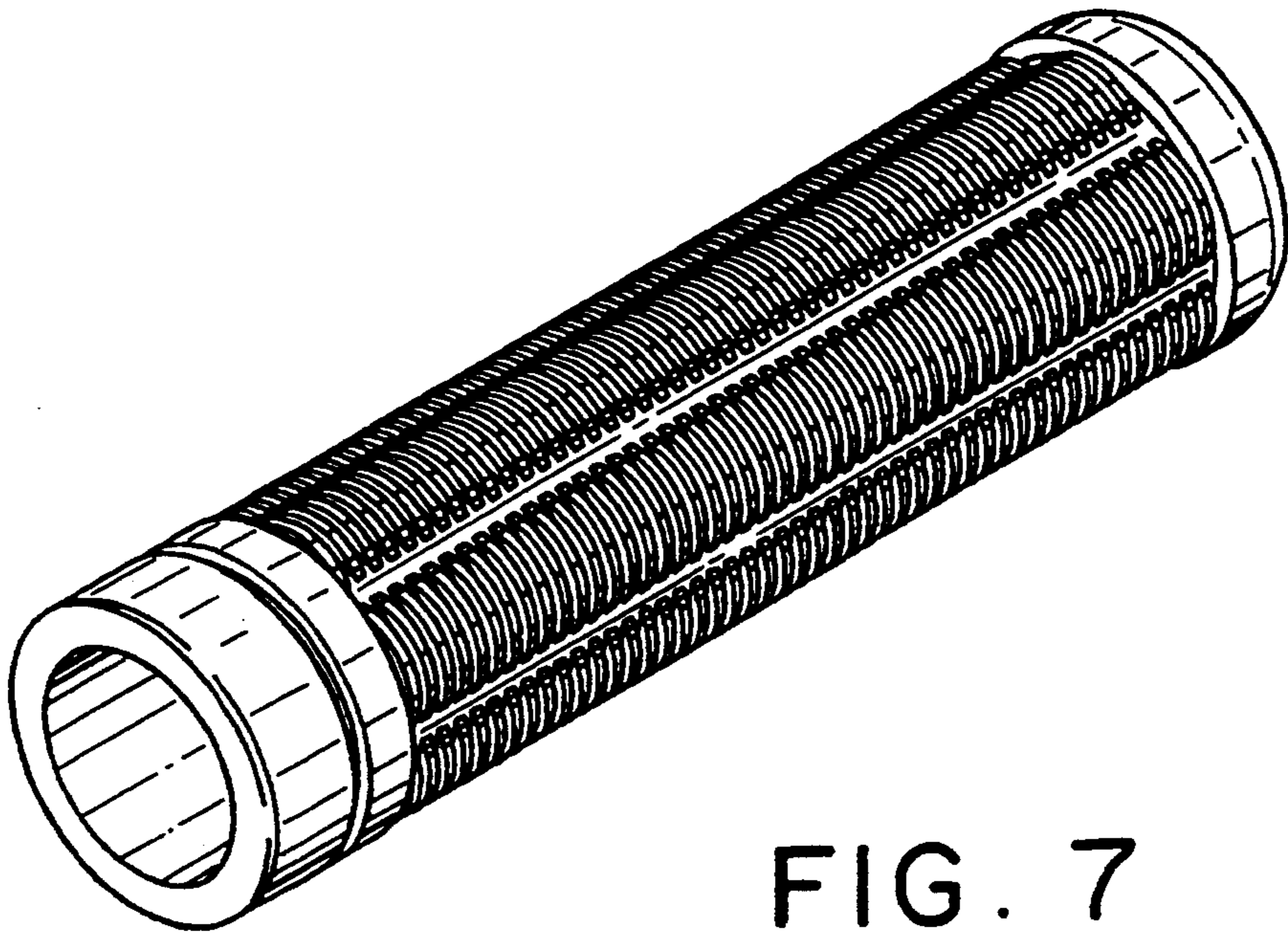


FIG. 7