



US00D352439S

United States Patent [19]

[11] Patent Number: **Des. 352,439**

Bedford

[45] Date of Patent: **** Nov. 15, 1994**

[54] **DUST COLLECTION DEVICE FOR FLOOR SANDER**

4,096,599	6/1978	Mayo	15/49.1
4,435,870	3/1984	Tucker et al.	15/98
4,845,798	7/1989	Genovese	15/98

[76] Inventor: **Thomas E. Bedford**, 23425 Ontario La., El Toro, Calif. 92630

Primary Examiner—Alan P. Douglas
Assistant Examiner—Jeffrey H. Musgrove
Attorney, Agent, or Firm—Stetina Brunda & Buyan

[**] Term: **14 Years**

[21] Appl. No.: **1,890**

[57] **CLAIM**

[22] Filed: **Nov. 25, 1992**

The ornamental design for a dust collection device for floor sander, as shown and described.

[52] U.S. Cl. **D8/70**

[58] Field of Search **D8/62, 70; 51/170 R, 51/170 T, 180, 177; 15/98, 49.1, 353**

DESCRIPTION

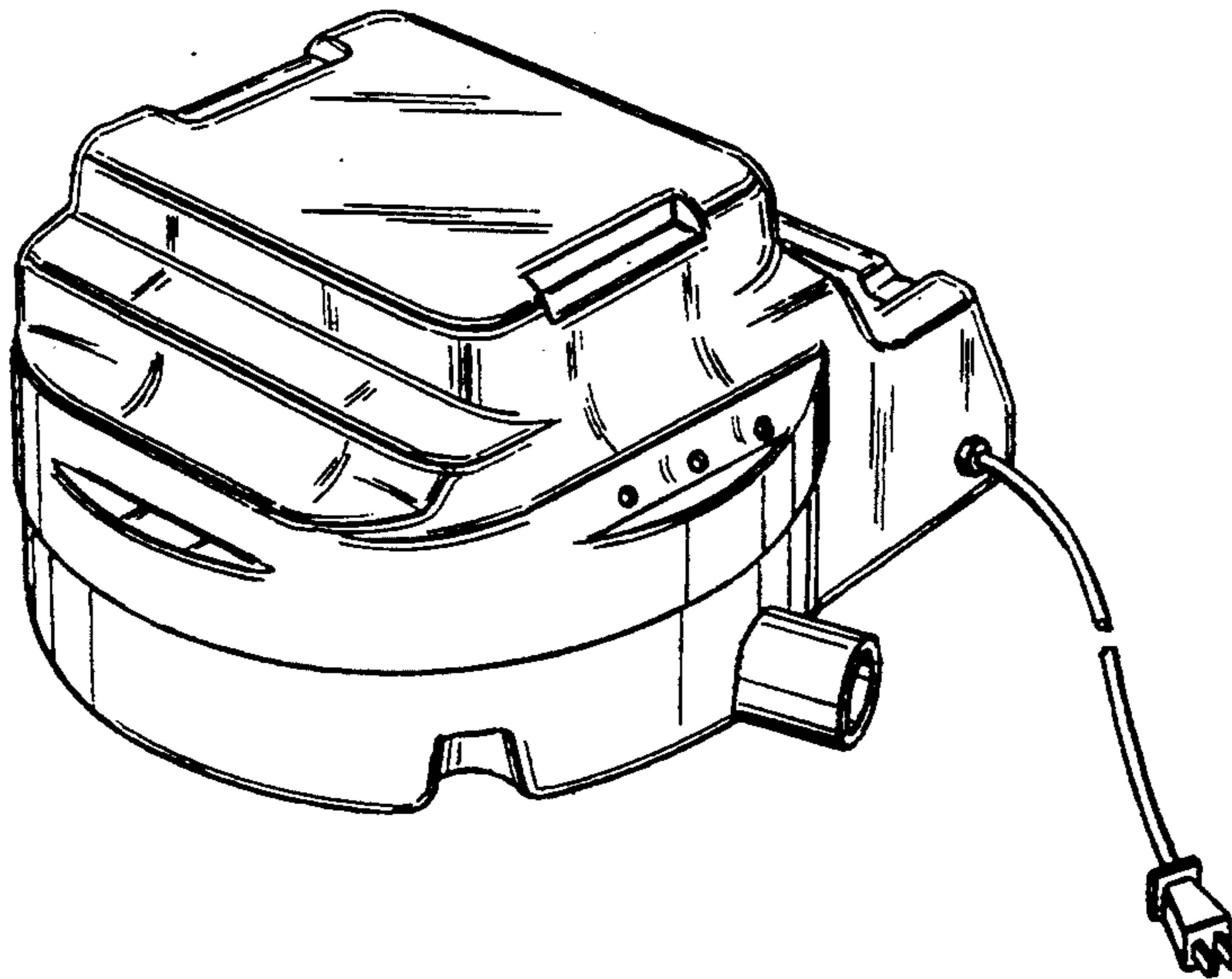
[56] **References Cited**

FIG. 1 is a front perspective view of the dust collection device for floor sander of the present invention showing my new design, with the phantom lines depicting solely environmental structure and forming no part of the claimed design;

U.S. PATENT DOCUMENTS

D. 334,330	3/1993	Moshammer	D8/70
1,673,529	6/1928	Ponselle .	
1,758,767	5/1930	Taggart .	
3,100,903	8/1963	Doyle	15/49.1
3,797,065	3/1974	Hughes .	

FIG. 2 is a large front perspective view thereof;
FIG. 3 is a rear perspective view thereof; and,
FIG. 4 is a bottom perspective view thereof.



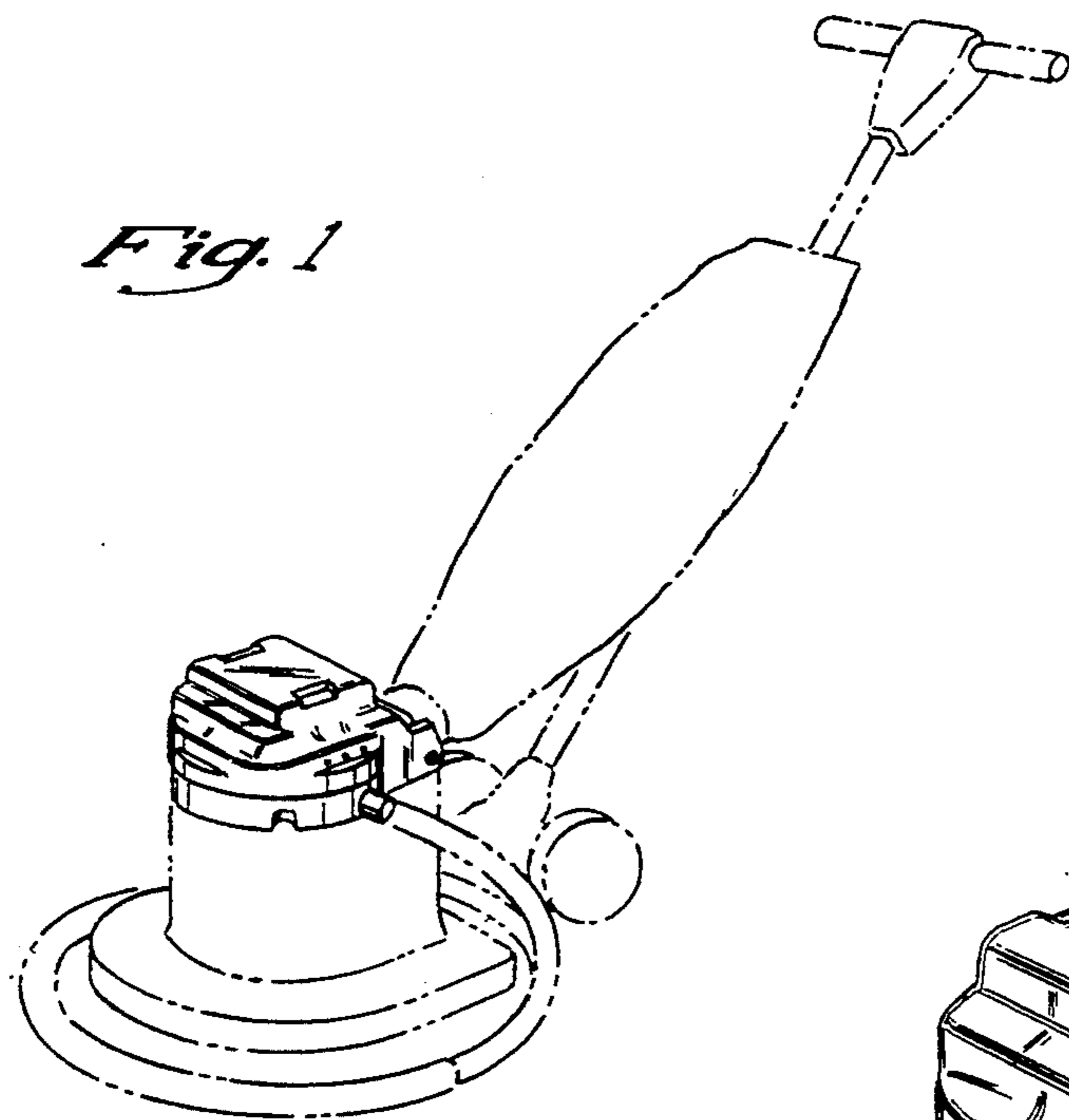


Fig. 1

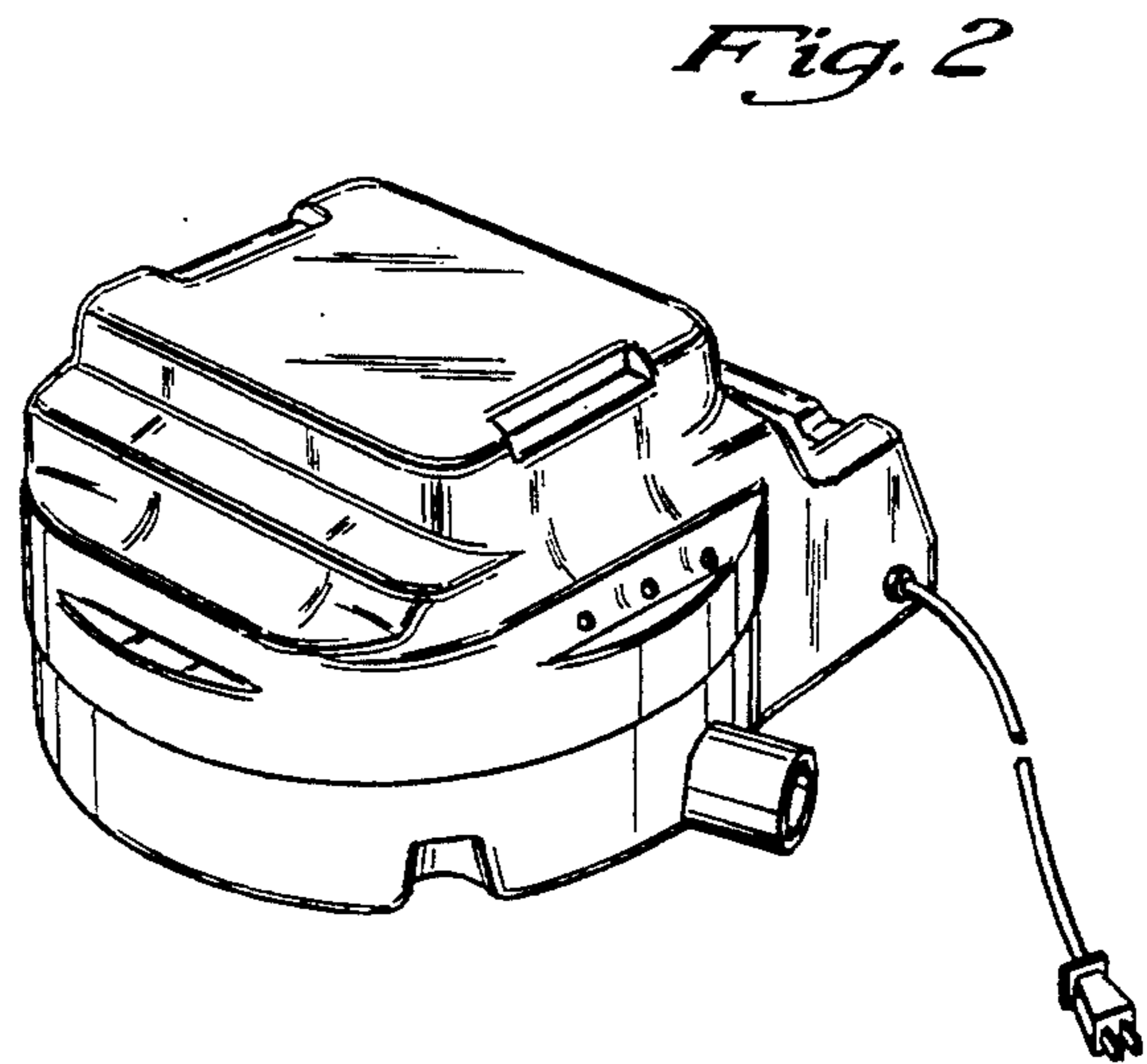


Fig. 2

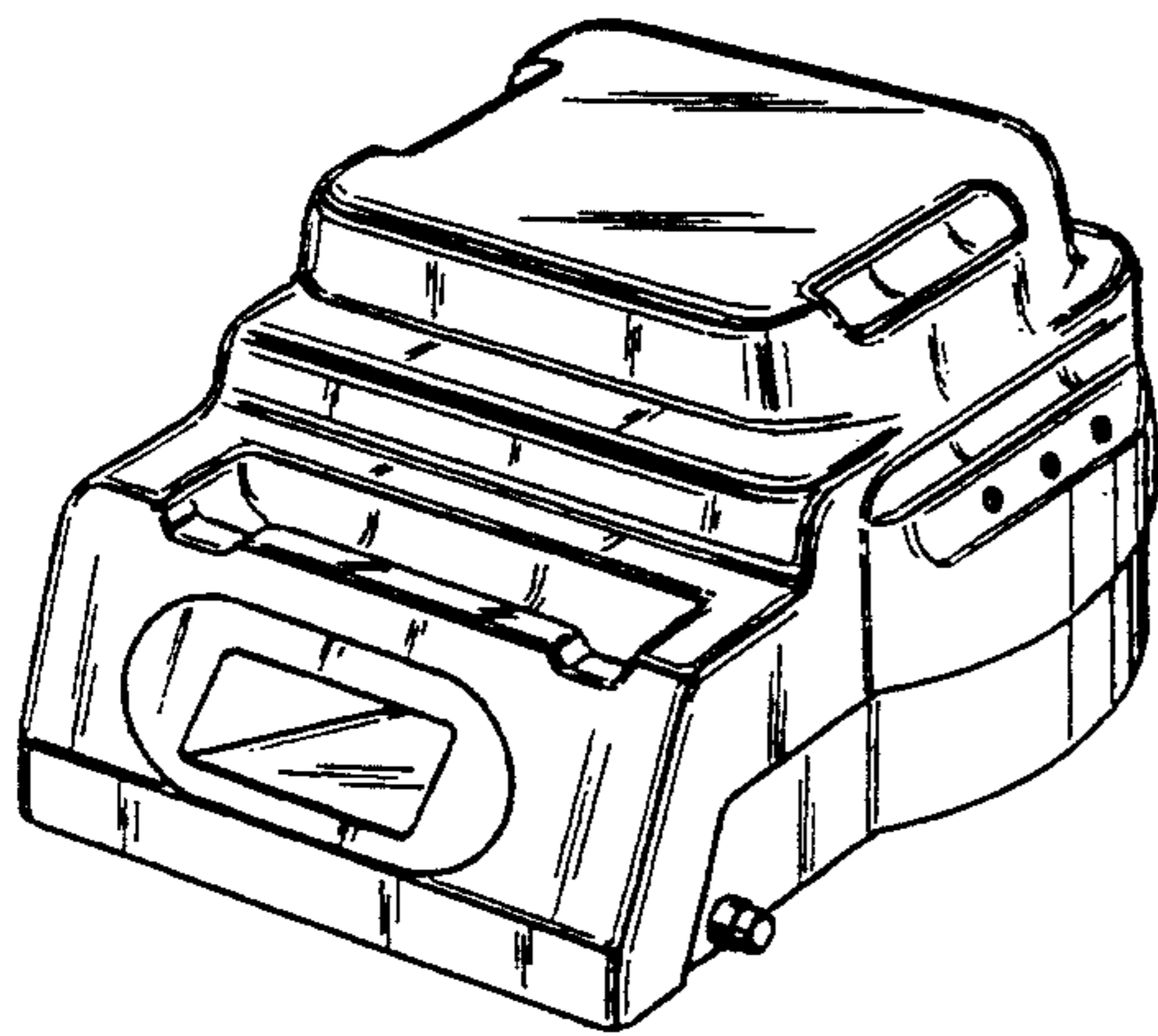


Fig. 3

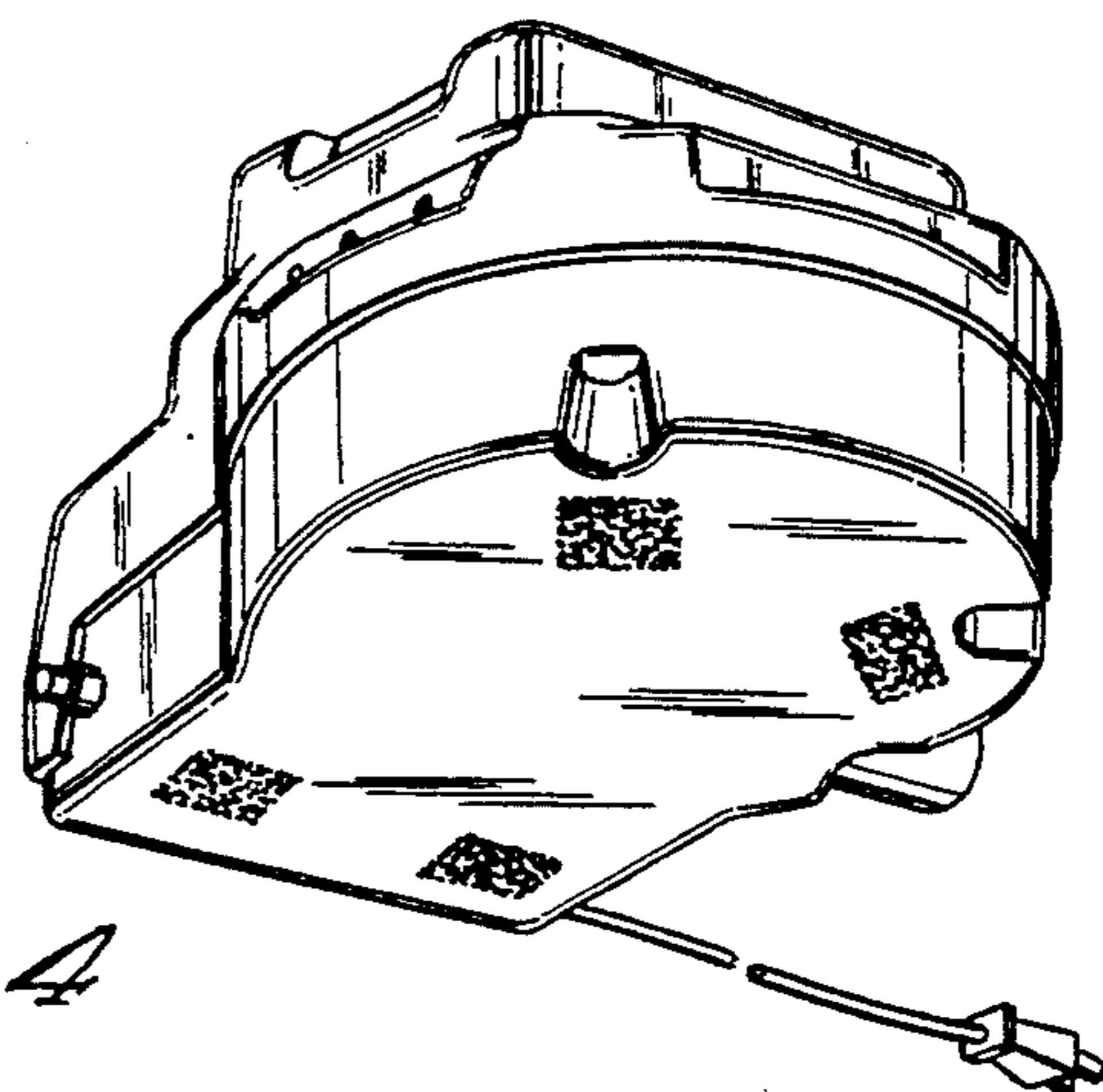


Fig. 4